

FIXED PRINTED CIRCUIT DOUBLE AND SINGLE LEVEL Metric Pin Spacing^a Screw-Cage Clamp

For wire-to-board connections in industrial applications and where frequent wire terminations occur.

Use Double Level where space requirements call for high density wiring.

- Multipole, Modular Design
- Housing Material: Polyamide 6.6
- Standard Color: Green



AK800
Front Wire Entry



AK850
Front Wire Entry

^aBlocks with US (Inch) pin spacing begin on page 110.

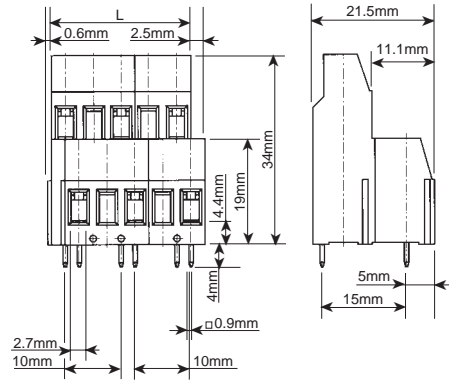
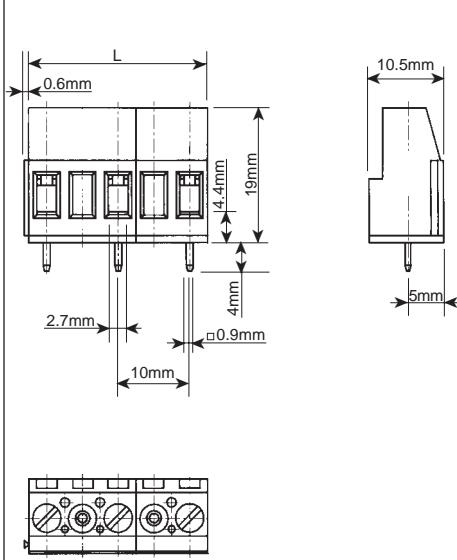
Pin Spacing 10mm (.394)
Stripping Length 8mm (.315)
Screw Hole Diameter 3.5mm (.138)

Pin Spacing 10mm (.394)
Stripping Length 8mm (.315)
Screw Hole Diameter 4mm (.158)

Ratings		Wire Range	Current	Voltage	Wire Range	Current	Voltage
IEC/VDE		0.5-4mm ²	16A	630V	0.5-4mm ²	16A	630V
UL (File No. E101811)		22-12 AWG	15A	300V	22-12 AWG	15A	300V
CSA (File No. LR68503)		22-12 AWG	15A	300V	22-12 AWG	15A	300V

Ordering Information	No. of Poles	Type	Cat. No.	Length L	Std. Pk.	Type	Cat. No.	Length L	Std. Pk.	
	AK850	AK800		mm (in.)				mm (in.)		
Terminal Block, mm Pin Spacing	4	2	AK800/2	39.102	15.00 (.59)	100	AK850/4	34.704	17.50 (.69)	50
	6	3	AK800/3	39.103	25.00 (.99)	50	AK850/6	34.706	27.50 (1.08)	25
	8	4	AK800/4	39.104	35.00 (1.38)	30	AK850/8	34.708	37.50 (1.48)	15
	10	5	AK800/5	39.105	45.00 (1.77)	30	AK850/10	34.710	47.50 (1.87)	15
	12	6	AK800/6	39.106	55.00 (2.17)	20	AK850/12	34.712	57.50 (2.26)	10
	14	7	AK800/7	39.107	65.00 (2.56)	20	AK850/14	34.714	67.50 (2.66)	10
	16	8	AK800/8	39.108	75.00 (2.95)	20	AK850/16	34.716	77.50 (3.05)	10
	18	9	AK800/9	39.109	85.00 (3.35)	15	AK850/18	34.718	87.50 (3.45)	10
	20	10	AK800/10	39.110	95.00 (3.74)	15	AK850/20	34.720	97.50 (3.84)	10
	22	11	AK800/11	39.111	105.00 (4.13)	10	AK850/22	34.722	107.50 (4.23)	10
	24	12	AK800/12	39.112	115.00 (4.53)	10	AK850/24	34.724	117.50 (4.63)	10

Dimensions			
mm	in.	mm	in.
0.60	0.024	10.50	0.413
0.90	0.035	11.10	0.437
2.50	0.098	15.00	0.591
2.70	0.106	19.00	0.748
4.00	0.157	21.50	0.846
4.40	0.173	25.00	0.984
5.00	0.197	34.00	1.339
10.00	0.394		



X-ON Electronics

Largest Supplier of Electrical and Electronic Components

Click to view similar products for [Fixed Terminal Blocks](#) category:

Click to view products by [Altech](#) manufacturer:

Other Similar products are found below :

[00175550202](#) [MBE-1512](#) [MBE-1520](#) [MBE-154](#) [MBE-156](#) [MBES-1510](#) [MBES-153](#) [MBES-156](#) [MH-2512](#) [MHE-132](#) [MHE-133](#) [MHE-163](#)
[MI-254 \(35\)](#) [MI-272](#) [8739](#) [880507](#) [880508](#) [MPT-275](#) [1546551-6](#) [ELM023100](#) [ELM10110G](#) [ELVD12100](#) [BA311TU](#) [BA411SU](#) [MV-152](#)
[MV-253/NCNOC](#) [MV-254-D](#) [MV-255](#) [MV-462](#) [MV-472](#) [MV-493](#) [MVE-252](#) [MVE-253](#) [MVE-258](#) [MVE-273](#) [MVEB-153](#) [1700096](#)
[1702246](#) [1705142](#) [1712417](#) [1713020](#) [1713088](#) [1776118-2](#) [1790852](#) [1-796689-8](#) [1-796692-6](#) [1800001](#) [1800114](#) [1823215](#) [1838462](#)