

# FIXED PRINTED CIRCUIT

## Metric Pin Spacing<sup>a</sup>

### Tubular Screw Clamp

For use when standard size printed circuit terminal blocks are too large for available space or where a very small circuit board is utilized.

Our new subminiature design offers a low profile, an extremely small "footprint" and the highest circuit density available.

- Multipole, Single Mold Design
- Up to 7 Circuits Per Inch
- Pin Spacing is Maintained When Terminal Blocks are Placed End-to-End
- With Wire Protector
- Housing Material: Polyamide 6.6
- Standard Color: Gray

<sup>a</sup>Blocks with US (Inch) pin spacing begin on page 110.

Ratings  
IEC/VDE  
UL (File No. E101811)  
CSA (File No. LR68503)

Extremely small "footprint" and the highest circuit density available



**AK550**  
Front Wire Entry

Pin Spacing 3.5mm (.138)  
Stripping Length 5.5mm (.217)  
Screw Hole Diameter 2.5mm (.098)

Extremely small "footprint" and the highest circuit density available



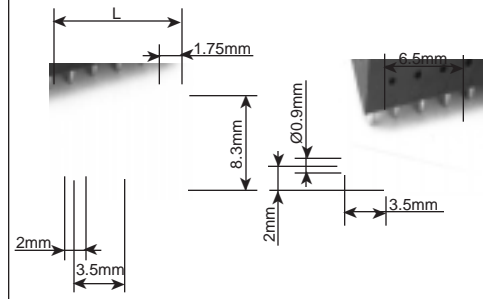
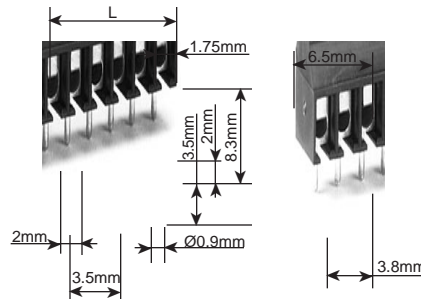
**AK555**  
Top Wire Entry

Pin Spacing 3.5mm (.138)  
Stripping Length 5.5mm (.217)  
Screw Hole Diameter 2.5mm (.098)

| Wire Range              | Current | Voltage |
|-------------------------|---------|---------|
| 0.25-1.0mm <sup>2</sup> | 6A      | 125V    |
| 28-16 AWG               | 6A      | 300V    |
| 28-16 AWG               | 6A      | 150V    |

| Wire Range              | Current | Voltage |
|-------------------------|---------|---------|
| 0.25-1.0mm <sup>2</sup> | 6A      | 125V    |
| 28-16 AWG               | 6A      | 300V    |
| 28-16 AWG               | 6A      | 150V    |

| Ordering Information           | No. of Poles | AK550      |              |                   |            | AK555      |              |                   |          |
|--------------------------------|--------------|------------|--------------|-------------------|------------|------------|--------------|-------------------|----------|
|                                |              | Type       | Cat. No.     | Length L mm (in.) | Std. Pk.   | Type       | Cat. No.     | Length L mm (in.) | Std. Pk. |
| Terminal Block, mm Pin Spacing | 2            | AK550/2wp  | 29.002       | 7.00 (.28)        | 100        | AK555/2wp  | 29.102       | 7.00 (.28)        | 100      |
|                                | 3            | AK550/3wp  | 29.003       | 10.50 (.41)       | 100        | AK555/3wp  | 29.103       | 10.50 (.41)       | 100      |
|                                | 4            | AK550/4wp  | 29.004       | 14.00 (.55)       | 50         | AK555/4wp  | 29.104       | 14.00 (.55)       | 50       |
|                                | 5            | AK550/5wp  | 29.005       | 17.50 (.69)       | 50         | AK555/5wp  | 29.105       | 17.50 (.69)       | 50       |
|                                | 6            | AK550/6wp  | 29.006       | 21.00 (.83)       | 50         | AK555/6wp  | 29.106       | 21.00 (.83)       | 50       |
|                                | 7            | AK550/7wp  | 29.007       | 24.50 (.97)       | 30         | AK555/7wp  | 29.107       | 24.50 (.97)       | 30       |
|                                | 8            | AK550/8wp  | 29.008       | 28.00 (1.10)      | 30         | AK555/8wp  | 29.108       | 28.00 (1.10)      | 30       |
|                                | 9            | AK550/9wp  | 29.009       | 31.50 (1.24)      | 30         | AK555/9wp  | 29.109       | 31.50 (1.24)      | 30       |
|                                | 10           | AK550/10wp | 29.010       | 35.00 (1.38)      | 30         | AK555/10wp | 29.110       | 35.00 (1.38)      | 30       |
|                                | 11           | AK550/11wp | 29.011       | 38.50 (1.52)      | 20         | AK555/11wp | 29.111       | 38.50 (1.52)      | 20       |
|                                | 12           | AK550/12wp | 29.012       | 42.00 (1.65)      | 20         | AK555/12wp | 29.112       | 42.00 (1.65)      | 20       |
|                                | 13           | AK550/13wp | 29.013       | 45.50 (1.79)      | 20         | AK555/13wp | 29.113       | 45.50 (1.79)      | 20       |
|                                | 14           | AK550/14wp | 29.014       | 49.00 (1.93)      | 20         | AK555/14wp | 29.114       | 49.00 (1.93)      | 20       |
| 15                             | AK550/15wp   | 29.015     | 52.50 (2.07) | 20                | AK555/15wp | 29.115     | 52.50 (2.07) | 20                |          |
| 16                             | AK550/16wp   | 29.016     | 56.00 (2.21) | 15                | AK555/16wp | 29.116     | 56.00 (2.21) | 15                |          |



| mm   |       | in.  |       | Dimensions |  |
|------|-------|------|-------|------------|--|
| 0.90 | 0.035 | 3.80 | 0.150 |            |  |
| 1.75 | 0.069 | 6.50 | 0.256 |            |  |
| 2.00 | 0.079 | 8.30 | 0.327 |            |  |
| 3.50 | 0.138 |      |       |            |  |

## FIXED PRINTED CIRCUIT Metric Pin Spacing<sup>a</sup> Tubular Screw Clamp

For wire-to-board connections in applications with strict budgets and where infrequent wire terminations are expected.

Our "mini" design offers a low profile and a small "footprint".

The popular AK500 is now offered in a single mold design as Type AK502. Please contact Altech for ordering information.

- Multipole, Modular Design
- Wire Protector Standard
- Housing Material: Polyamide 6.6
- Standard Color: Gray

<sup>a</sup>Blocks with US (Inch) pin spacing begin on page 110.



**AK500**  
Front Wire Entry

Pin Spacing 5mm (.197)  
Stripping Length 6mm (.236)  
Screw Hole Diameter 3mm (.118)



**AK505**  
Top Wire Entry

Pin Spacing 5mm (.197)  
Stripping Length 5mm (.197)  
Screw Hole Diameter 3mm (.118)

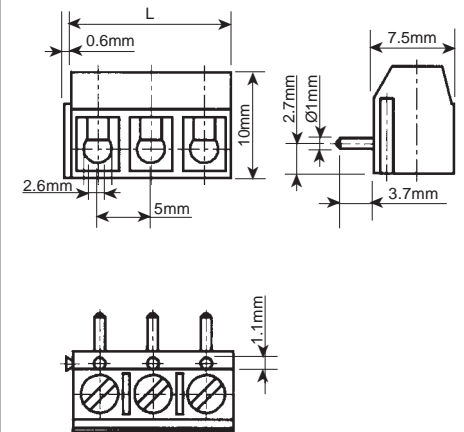
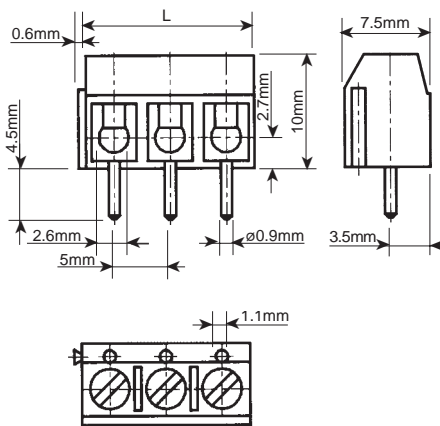
Ratings  
IEC/VDE  
(File No. E101811)  
UL  
(File No. LR68503)

| Wire Range             | Current | Voltage |
|------------------------|---------|---------|
| 0.5-1.5mm <sup>2</sup> | 16A     | 250V    |
| 22-14 AWG              | 15A     | 300V    |
| 22-14 AWG              | 15A     | 300V    |

| Wire Range             | Current | Voltage |
|------------------------|---------|---------|
| 0.5-1.5mm <sup>2</sup> | 16A     | 250V    |
| 22-14 AWG              | 15A     | 300V    |
| 22-14 AWG              | 15A     | 300V    |

| Ordering Information           | No. of Poles | AK500     |               |                   |            | AK505     |               |                   |          |
|--------------------------------|--------------|-----------|---------------|-------------------|------------|-----------|---------------|-------------------|----------|
|                                |              | Type      | Cat. No.      | Length L mm (in.) | Std. Pk.   | Type      | Cat. No.      | Length L mm (in.) | Std. Pk. |
| Terminal Block, mm Pin Spacing | 2            | AK500/2wp | 30.702        | 10.00 (.39)       | 100        | AK505/2wp | 30.752        | 10.00 (.39)       | 100      |
|                                | 3            | AK500/3wp | 30.703        | 15.00 (.59)       | 100        | AK505/3wp | 30.753        | 15.00 (.59)       | 100      |
|                                | 4            | AK500/4wp | 30.704        | 20.00 (.79)       | 50         | AK505/4wp | 30.754        | 20.00 (.79)       | 50       |
|                                | 5            | AK500/5wp | 30.705        | 25.00 (.99)       | 50         | AK505/5wp | 30.755        | 25.00 (.99)       | 50       |
|                                | 6            | AK500/6wp | 30.706        | 30.00 (1.18)      | 50         | AK505/6wp | 30.756        | 30.00 (1.18)      | 50       |
|                                | 7            | AK500/7wp | 30.707        | 35.00 (1.38)      | 30         | AK505/7wp | 30.757        | 35.00 (1.38)      | 30       |
|                                | 8            | AK500/8wp | 30.708        | 40.00 (1.58)      | 30         | AK505/8wp | 30.758        | 40.00 (1.58)      | 30       |
| 9                              | AK500/9wp    | 30.709    | 45.00 (1.77)  | 30                | AK505/9wp  | 30.759    | 45.00 (1.77)  | 30                |          |
| 10                             | AK500/10wp   | 30.710    | 50.00 (1.97)  | 30                | AK505/10wp | 30.760    | 50.00 (1.97)  | 30                |          |
| 11                             | AK500/11wp   | 30.711    | 55.00 (2.17)  | 20                | AK505/11wp | 30.761    | 55.00 (2.17)  | 20                |          |
| 12                             | AK500/12wp   | 30.712    | 60.00 (2.36)  | 20                | AK505/12wp | 30.762    | 60.00 (2.36)  | 20                |          |
| 14                             | AK500/13wp   | 30.713    | 65.00 (2.56)  | 20                | AK505/13wp | 30.763    | 65.00 (2.56)  | 20                |          |
| 15                             | AK500/14wp   | 30.714    | 70.00 (2.76)  | 20                | AK505/14wp | 30.764    | 70.00 (2.76)  | 20                |          |
| 16                             | AK500/15wp   | 30.715    | 75.00 (2.95)  | 20                | AK505/15wp | 30.765    | 75.00 (2.95)  | 20                |          |
| 16                             | AK500/16wp   | 30.716    | 80.00 (3.15)  | 15                | AK505/16wp | 30.766    | 80.00 (3.15)  | 15                |          |
| 17                             | AK500/17wp   | 30.717    | 85.00 (3.35)  | 15                | AK505/17wp | 30.767    | 85.00 (3.35)  | 15                |          |
| 18                             | AK500/18wp   | 30.718    | 90.55 (3.54)  | 15                | AK505/18wp | 30.768    | 90.00 (3.54)  | 15                |          |
| 19                             | AK500/19wp   | 30.719    | 95.00 (3.74)  | 15                | AK505/19wp | 30.769    | 95.00 (3.74)  | 15                |          |
| 20                             | AK500/20wp   | 30.720    | 100.00 (3.94) | 15                | AK505/20wp | 30.770    | 100.00 (3.94) | 15                |          |
| 21                             | AK500/21wp   | 30.721    | 105.00 (4.13) | 10                | AK505/21wp | 30.771    | 105.00 (4.13) | 10                |          |
| 22                             | AK500/22wp   | 30.722    | 110.00 (4.33) | 10                | AK505/22wp | 30.772    | 110.00 (4.33) | 10                |          |
| 23                             | AK500/23wp   | 30.723    | 115.00 (4.53) | 10                | AK505/23wp | 30.773    | 115.00 (4.53) | 10                |          |
| 24                             | AK500/24wp   | 30.724    | 120.00 (4.72) | 10                | AK505/24wp | 30.774    | 120.00 (4.72) | 10                |          |

| Dimensions |       |       |       |
|------------|-------|-------|-------|
| mm         | in.   | mm    | in.   |
| 0.60       | 0.024 | 3.70  | 0.146 |
| 0.90       | 0.035 | 4.50  | 0.177 |
| 1.00       | 0.039 | 5.00  | 0.197 |
| 1.10       | 0.043 | 7.50  | 0.295 |
| 2.60       | 0.102 | 10.00 | 0.394 |
| 2.70       | 0.106 | 15.00 | 0.591 |
| 3.50       | 0.138 |       |       |



# FIXED PRINTED CIRCUIT Metric Pin Spacing<sup>a</sup> Tubular Screw Clamp

For wire-to-board connections in applications with strict budgets and where infrequent wire terminations are expected.

The popular AK100 is now offered in a single mold design as Type AK102. Please contact Altech for ordering information.

- Multipole, Modular Design
- Wire Protector Standard
- Housing Material: Polyamide 6.6
- Standard Color: Gray

<sup>a</sup>Blocks with US (Inch) pin spacing begin on page 110.



**AK100**  
Front Wire Entry

Pin Spacing 5mm (.197)  
Stripping Length 6mm (.236)  
Screw Hole Diameter 4mm (.158)



**AK105**  
Top Wire Entry

Pin Spacing 5mm (.197)  
Stripping Length 5mm (.197)  
Screw Hole Diameter 3mm (.118)

### Ratings

IEC/VDE

(File No. E101811)

(File No. LR68503)

### Wire Range

0.5-2.5mm<sup>2</sup>

22-14 AWG

22-14 AWG

### Current

16A

15A

15A

### Voltage

250V

300V

300V

### Wire Range

0.5-2.5mm<sup>2</sup>

22-14 AWG

22-14 AWG

### Current

16A

15A

15A

### Voltage

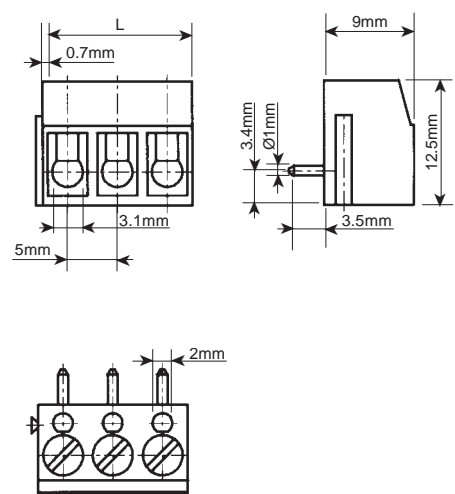
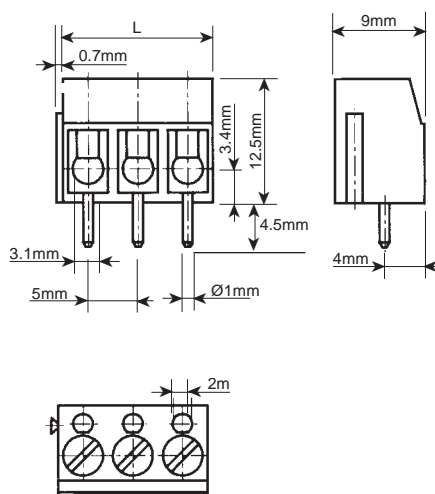
250V

300V

300V

| Ordering Information           |  | No. of Poles | Type       | Cat. No. | Length L<br>mm (in.) | Std. Pk. | Type       | Cat. No. | Length L<br>mm (in.) | Std. Pk. |
|--------------------------------|--|--------------|------------|----------|----------------------|----------|------------|----------|----------------------|----------|
| Terminal Block, mm Pin Spacing |  | 2            | AK100/2wp  | 30.002   | 10.00 (.39)          | 100      | AK105/2wp  | 30.052   | 10.00 (.39)          | 100      |
|                                |  | 3            | AK100/3wp  | 30.003   | 15.00 (.59)          | 100      | AK105/3wp  | 30.053   | 15.00 (.59)          | 100      |
|                                |  | 4            | AK100/4wp  | 30.004   | 20.00 (.79)          | 50       | AK105/4wp  | 30.054   | 20.00 (.79)          | 50       |
|                                |  | 5            | AK100/5wp  | 30.005   | 25.00 (.99)          | 50       | AK105/5wp  | 30.055   | 25.00 (.99)          | 50       |
|                                |  | 6            | AK100/6wp  | 30.006   | 30.00 (1.18)         | 50       | AK105/6wp  | 30.056   | 30.00 (1.18)         | 50       |
|                                |  | 7            | AK100/7wp  | 30.007   | 35.00 (1.38)         | 30       | AK105/7wp  | 30.057   | 35.00 (1.38)         | 30       |
|                                |  | 8            | AK100/8wp  | 30.008   | 40.00 (1.58)         | 30       | AK105/8wp  | 30.058   | 40.00 (1.58)         | 30       |
|                                |  | 9            | AK100/9wp  | 30.009   | 45.00 (1.77)         | 30       | AK105/9wp  | 30.059   | 45.00 (1.77)         | 30       |
|                                |  | 10           | AK100/10wp | 30.010   | 50.00 (1.97)         | 30       | AK105/10wp | 30.060   | 50.00 (1.97)         | 30       |
|                                |  | 11           | AK100/11wp | 30.011   | 55.00 (2.17)         | 20       | AK105/11wp | 30.061   | 55.00 (2.17)         | 20       |
|                                |  | 12           | AK100/12wp | 30.012   | 60.00 (2.36)         | 20       | AK105/12wp | 30.062   | 60.00 (2.36)         | 20       |
|                                |  | 13           | AK100/13wp | 30.013   | 65.00 (2.56)         | 20       | AK105/13wp | 30.063   | 65.00 (2.56)         | 20       |
|                                |  | 14           | AK100/14wp | 30.014   | 70.00 (2.76)         | 20       | AK105/14wp | 30.064   | 70.00 (2.76)         | 20       |
|                                |  | 15           | AK100/15wp | 30.015   | 75.00 (2.95)         | 20       | AK105/15wp | 30.065   | 75.00 (2.95)         | 20       |
|                                |  | 16           | AK100/16wp | 30.016   | 80.00 (3.15)         | 15       | AK105/16wp | 30.066   | 80.00 (3.15)         | 15       |
|                                |  | 17           | AK100/17wp | 30.017   | 85.00 (3.35)         | 15       | AK105/17wp | 30.067   | 85.00 (3.35)         | 15       |
|                                |  | 18           | AK100/18wp | 30.018   | 90.00 (3.54)         | 15       | AK105/18wp | 30.068   | 90.00 (3.54)         | 15       |
|                                |  | 19           | AK100/19wp | 30.019   | 95.00 (3.74)         | 15       | AK105/19wp | 30.069   | 95.00 (3.74)         | 15       |
|                                |  | 20           | AK100/20wp | 30.020   | 100.00 (3.94)        | 15       | AK105/20wp | 30.070   | 100.00 (3.94)        | 15       |
|                                |  | 21           | AK100/21wp | 30.021   | 105.00 (4.13)        | 10       | AK105/21wp | 30.071   | 105.00 (4.13)        | 10       |
|                                |  | 22           | AK100/22wp | 30.022   | 110.00 (4.33)        | 10       | AK105/22wp | 30.072   | 110.00 (4.33)        | 10       |
|                                |  | 23           | AK100/23wp | 30.023   | 115.00 (4.53)        | 10       | AK105/23wp | 30.073   | 115.00 (4.53)        | 10       |
|                                |  | 24           | AK100/24wp | 30.024   | 120.00 (4.72)        | 10       | AK105/24wp | 30.074   | 120.00 (4.72)        | 10       |

| Dimensions |       |       |       |
|------------|-------|-------|-------|
| mm         | in.   | mm    | in.   |
| 0.60       | 0.024 | 4.00  | 0.157 |
| 0.70       | 0.028 | 4.50  | 0.177 |
| 0.90       | 0.035 | 5.00  | 0.197 |
| 1.00       | 0.039 | 7.50  | 0.295 |
| 1.10       | 0.043 | 9.00  | 0.354 |
| 2.00       | 0.079 | 10.00 | 0.394 |
| 2.60       | 0.102 | 12.50 | 0.492 |
| 2.70       | 0.106 | 15.00 | 0.591 |
| 3.10       | 0.122 | 22.50 | 0.886 |
| 3.40       | 0.134 | 25.00 | 0.984 |
| 3.50       | 0.138 |       |       |





## AK110 Front Wire Entry

Pin Spacing 7.5mm (.295)  
Stripping Length 6mm (.236)  
Screw Hole Diameter 3.5mm (.138)

| Wire Range             | Current | Voltage | Type       | Cat. No. | Length L<br>mm (in.) | Std. Pk. |
|------------------------|---------|---------|------------|----------|----------------------|----------|
| 0.5-2.5mm <sup>2</sup> | 16A     | 500V    | AK110/2wp  | 30.102   | 15.00 (.59)          | 100      |
| 22-14 AWG              | 15A     | 300V    | AK110/3wp  | 30.103   | 22.50 (.89)          | 100      |
| 22-14 AWG              | 15A     | 300V    | AK110/4wp  | 30.104   | 30.00 (1.18)         | 50       |
|                        |         |         | AK110/5wp  | 30.105   | 37.50 (1.48)         | 50       |
|                        |         |         | AK110/6wp  | 30.106   | 45.00 (1.77)         | 50       |
|                        |         |         | AK110/7wp  | 30.107   | 52.50 (2.08)         | 30       |
|                        |         |         | AK110/8wp  | 30.108   | 60.00 (2.36)         | 30       |
|                        |         |         | AK110/9wp  | 30.109   | 67.50 (2.66)         | 30       |
|                        |         |         | AK110/10wp | 30.110   | 75.00 (2.95)         | 30       |
|                        |         |         | AK110/11wp | 30.111   | 82.50 (3.25)         | 20       |
|                        |         |         | AK110/12wp | 30.112   | 90.00 (3.54)         | 20       |
|                        |         |         | AK110/13wp | 30.113   | 97.50 (3.84)         | 20       |
|                        |         |         | AK110/14wp | 30.114   | 105.00 (4.13)        | 20       |
|                        |         |         | AK110/15wp | 30.115   | 112.50 (4.43)        | 20       |
|                        |         |         | AK110/16wp | 30.116   | 120.00 (4.73)        | 15       |
|                        |         |         | AK110/17wp | 30.117   | 127.50 (5.02)        | 15       |
|                        |         |         | AK110/18wp | 30.118   | 135.00 (5.32)        | 15       |
|                        |         |         | AK110/19wp | 30.119   | 142.50 (5.61)        | 15       |
|                        |         |         | AK110/20wp | 30.120   | 150.00 (5.91)        | 15       |
|                        |         |         | AK110/21wp | 30.121   | 157.50 (6.20)        | 10       |
|                        |         |         | AK110/22wp | 30.122   | 165.00 (6.50)        | 10       |
|                        |         |         | AK110/23wp | 30.123   | 172.50 (6.79)        | 10       |
|                        |         |         | AK110/24wp | 30.124   | 180.00 (7.09)        | 10       |



## AK115 Top Wire Entry

Pin Spacing 7.5mm (.295)  
Stripping Length 5mm (.197)  
Screw Hole Diameter 3.5mm (.138)

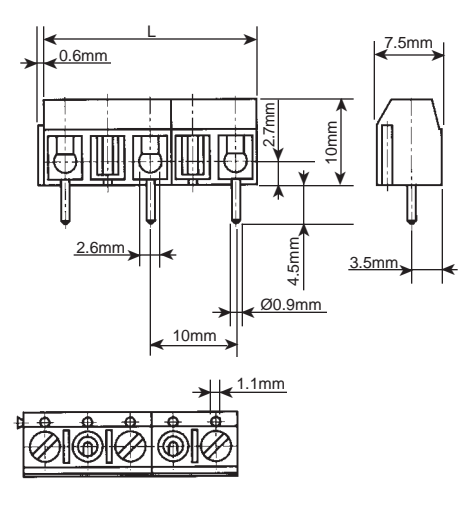
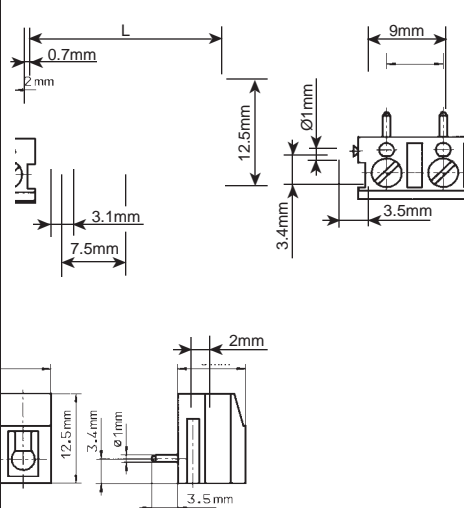
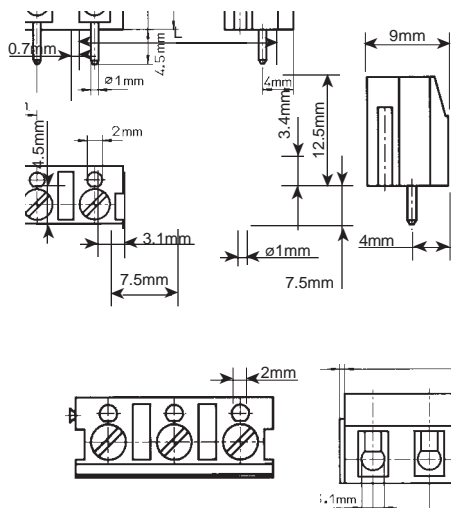
| Wire Range             | Current | Voltage | Type       | Cat. No. | Length L<br>mm (in.) | Std. Pk. |
|------------------------|---------|---------|------------|----------|----------------------|----------|
| 0.5-2.5mm <sup>2</sup> | 16A     | 500V    | AK115/2wp  | 30.152   | 15.00 (.59)          | 100      |
| 22-14 AWG              | 15A     | 300V    | AK115/3wp  | 30.153   | 22.50 (.89)          | 100      |
| 22-14 AWG              | 15A     | 300V    | AK115/4wp  | 30.154   | 30.00 (1.18)         | 50       |
|                        |         |         | AK115/5wp  | 30.155   | 37.50 (1.48)         | 50       |
|                        |         |         | AK115/6wp  | 30.156   | 45.00 (1.77)         | 50       |
|                        |         |         | AK115/7wp  | 30.157   | 52.50 (2.08)         | 30       |
|                        |         |         | AK115/8wp  | 30.158   | 60.00 (2.36)         | 30       |
|                        |         |         | AK115/9wp  | 30.159   | 67.50 (2.66)         | 30       |
|                        |         |         | AK115/10wp | 30.160   | 75.00 (2.95)         | 30       |
|                        |         |         | AK115/11wp | 30.161   | 82.50 (3.25)         | 20       |
|                        |         |         | AK115/12wp | 30.162   | 90.00 (3.54)         | 20       |
|                        |         |         | AK115/13wp | 30.163   | 97.50 (3.84)         | 20       |
|                        |         |         | AK115/14wp | 30.164   | 105.00 (4.13)        | 20       |
|                        |         |         | AK115/15wp | 30.165   | 112.50 (4.43)        | 20       |
|                        |         |         | AK115/16wp | 30.166   | 120.00 (4.73)        | 15       |
|                        |         |         | AK115/17wp | 30.167   | 127.50 (5.02)        | 15       |
|                        |         |         | AK115/18wp | 30.168   | 135.00 (5.32)        | 15       |
|                        |         |         | AK115/19wp | 30.169   | 142.50 (5.61)        | 15       |
|                        |         |         | AK115/20wp | 30.170   | 150.00 (5.91)        | 15       |
|                        |         |         | AK115/21wp | 30.171   | 157.50 (6.20)        | 10       |
|                        |         |         | AK115/22wp | 30.172   | 165.00 (6.50)        | 10       |
|                        |         |         | AK115/23wp | 30.173   | 172.50 (6.79)        | 10       |
|                        |         |         | AK115/24wp | 30.174   | 180.00 (7.09)        | 10       |



## AK600 Front Wire Entry

Pin Spacing 10mm (.394)  
Stripping Length 6mm (.236)  
Screw Hole Diameter 3mm (.118)

| Wire Range             | Current | Voltage | Type       | Cat. No. | Length L<br>mm (in.) | Std. Pk. |
|------------------------|---------|---------|------------|----------|----------------------|----------|
| 0.5-1.5mm <sup>2</sup> | 16A     | 500V    | AK600/2wp  | 34.402   | 15.00 (.59)          | 100      |
| 22-14 AWG              | 15A     | 300V    | AK600/3wp  | 34.403   | 25.00 (.99)          | 50       |
| 22-14 AWG              | 15A     | 300V    | AK600/4wp  | 34.404   | 35.00 (1.38)         | 30       |
|                        |         |         | AK600/5wp  | 34.405   | 45.00 (1.77)         | 30       |
|                        |         |         | AK600/6wp  | 34.406   | 55.00 (2.17)         | 20       |
|                        |         |         | AK600/7wp  | 34.407   | 65.00 (2.56)         | 20       |
|                        |         |         | AK600/8wp  | 34.408   | 75.00 (2.95)         | 20       |
|                        |         |         | AK600/9wp  | 34.409   | 85.00 (3.35)         | 15       |
|                        |         |         | AK600/10wp | 34.410   | 95.00 (3.74)         | 15       |
|                        |         |         | AK600/11wp | 34.411   | 105.00 (4.13)        | 10       |
|                        |         |         | AK600/12wp | 34.412   | 115.00 (4.53)        | 10       |



# FIXED PRINTED CIRCUIT

## Metric Pin Spacing<sup>a</sup>

### Screw-Cage Clamp

For wire-to-board connections in industrial applications and where frequent wire terminations occur.

- Multipole, Modular Design
- Housing Material: Polyamide 6.6
- Standard Color: AK300 is Gray, all others are green

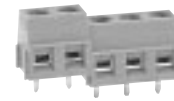


## AK300

### 45° Wire Entry

Pin Spacing 5mm (.197)  
Stripping Length 7mm (.276)  
Screw Hole Diameter 3.5mm (.138)

Minimum clearance, small footprint conserves valuable PCB real estate



## AK(Z)250

### Front Wire Entry

Pin Spacing 5.08mm (.200)<sup>c</sup>  
Stripping Length 7mm (.276)  
Screw Hole Diameter 3.5mm (.138)

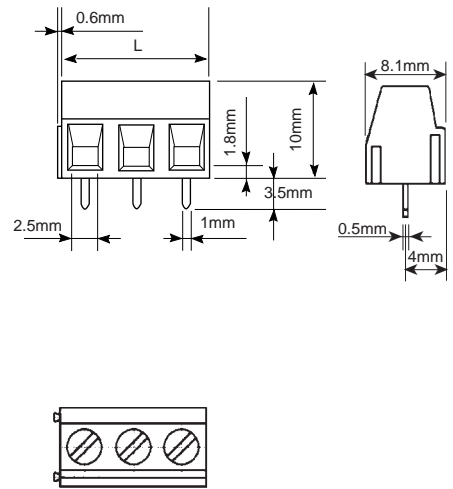
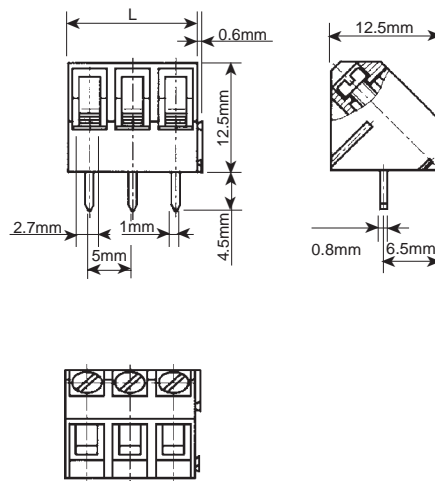
<sup>a</sup>Blocks with US (Inch) pin spacing begin on page 110.

| Ratings                |  | Wire Range             | Current | Voltage | Wire Range             | Current | Voltage |
|------------------------|--|------------------------|---------|---------|------------------------|---------|---------|
| IEC/VDE                |  | 0.5-2.5mm <sup>2</sup> | 16A     | 250V    | 0.5-1.5mm <sup>2</sup> | 16A     | 250V    |
| UL (File No. E101811)  |  | 22-12 AWG              | 15A     | 300V    | 28-14 AWG              | 15A     | 300V    |
| CSA (File No. LR68503) |  | 22-12 AWG              | 15A     | 300V    | 28-14 AWG              | 15A     | 300V    |

| Ordering Information           |  | No. of Poles | Type     | Cat. No. | Length L mm (in.) | Std. Pk. | Type       | Cat. No. | Length L mm (in.) | Std. Pk. |
|--------------------------------|--|--------------|----------|----------|-------------------|----------|------------|----------|-------------------|----------|
| Terminal Block, mm Pin Spacing |  | 2            | AK300/2  | 30.602   | 10.00 (.39)       | 100      | AK(Z)250/2 | 32.402   | 10.16 (.40)       | 100      |
|                                |  | 3            | AK300/3  | 30.603   | 15.00 (.59)       | 100      | AK(Z)250/3 | 32.403   | 15.24 (.60)       | 100      |
|                                |  | 4            | AK300/4  | 30.604   | 20.00 (.79)       | 50       | AK(Z)250/4 | 32.404   | 20.32 (.80)       | 50       |
|                                |  | 5            | AK300/5  | 30.605   | 25.00 (.99)       | 50       | AK(Z)250/5 | 32.405   | 25.40 (1.00)      | 50       |
|                                |  | 6            | AK300/6  | 30.606   | 30.00 (1.18)      | 50       | AK(Z)250/6 | 32.406   | 30.48 (1.20)      | 50       |
|                                |  | 7            | AK300/7  | 30.607   | 35.00 (1.38)      | 30       |            |          |                   |          |
|                                |  | 8            | AK300/8  | 30.608   | 40.00 (1.58)      | 30       |            |          |                   |          |
|                                |  | 9            | AK300/9  | 30.609   | 45.00 (1.77)      | 30       |            |          |                   |          |
|                                |  | 10           | AK300/10 | 30.610   | 50.00 (1.97)      | 30       |            |          |                   |          |
|                                |  | 11           | AK300/11 | 30.611   | 55.00 (2.17)      | 20       |            |          |                   |          |
|                                |  | 12           | AK300/12 | 30.612   | 60.00 (2.36)      | 20       |            |          |                   |          |
|                                |  | 13           | AK300/13 | 30.613   | 65.00 (2.56)      | 20       |            |          |                   |          |
|                                |  | 14           | AK300/14 | 30.614   | 70.00 (2.76)      | 20       |            |          |                   |          |
|                                |  | 15           | AK300/15 | 30.615   | 75.00 (2.95)      | 20       |            |          |                   |          |
|                                |  | 16           | AK300/16 | 30.616   | 80.00 (3.15)      | 15       |            |          |                   |          |
|                                |  | 17           | AK300/17 | 30.617   | 85.00 (3.35)      | 15       |            |          |                   |          |
|                                |  | 18           | AK300/18 | 30.618   | 90.00 (3.54)      | 15       |            |          |                   |          |
|                                |  | 19           | AK300/19 | 30.619   | 95.00 (3.74)      | 15       |            |          |                   |          |
|                                |  | 20           | AK300/20 | 30.620   | 100.00 (3.94)     | 15       |            |          |                   |          |
|                                |  | 21           | AK300/21 | 30.621   | 105.00 (4.13)     | 10       |            |          |                   |          |
|                                |  | 22           | AK300/22 | 30.622   | 110.00 (4.33)     | 10       |            |          |                   |          |
|                                |  | 23           | AK300/23 | 30.623   | 115.00 (4.53)     | 10       |            |          |                   |          |
|                                |  | 24           | AK300/24 | 30.624   | 120.00 (4.72)     | 10       |            |          |                   |          |

| Dimensions |       |       |       |
|------------|-------|-------|-------|
| mm         | in.   | mm    | in.   |
| 0.50       | 0.020 | 5.00  | 0.197 |
| 0.60       | 0.024 | 5.08  | 0.200 |
| 0.80       | 0.031 | 6.50  | 0.256 |
| 0.90       | 0.035 | 8.10  | 0.319 |
| 1.00       | 0.039 | 9.00  | 0.354 |
| 1.80       | 0.071 | 10.00 | 0.394 |
| 2.50       | 0.098 | 10.50 | 0.413 |
| 2.70       | 0.106 | 12.50 | 0.492 |
| 3.00       | 0.118 | 13.50 | 0.531 |
| 3.50       | 0.138 | 15.00 | 0.591 |
| 4.00       | 0.157 | 15.24 | 0.600 |
| 4.40       | 0.173 | 19.00 | 0.748 |
| 4.50       | 0.177 |       |       |



<sup>c</sup> Appropriate for use in metric pin spacings up to the number of poles shown.



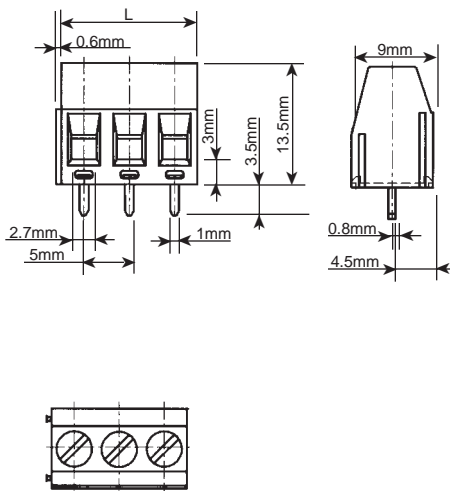
## AK350

### Front Wire Entry

Pin Spacing 5mm (.197)  
Stripping Length 6mm (.236)  
Screw Hole Diameter 4.0mm (.158)

| Wire Range             | Current | Voltage |
|------------------------|---------|---------|
| 0.5-2.5mm <sup>2</sup> | 16A     | 250V    |
| 22-12 AWG              | 16A     | 300V    |
| 28-14 AWG              | 16A     | 300V    |

| Type     | Cat. No. | Length L mm (in.) | Std. Pk. |
|----------|----------|-------------------|----------|
| AK350/2  | 32.002   | 10.00 (.39)       | 100      |
| AK350/3  | 32.003   | 15.00 (.59)       | 100      |
| AK350/4  | 32.004   | 20.00 (.79)       | 50       |
| AK350/5  | 32.005   | 25.00 (.99)       | 50       |
| AK350/6  | 32.006   | 30.00 (1.18)      | 50       |
| AK350/7  | 32.007   | 35.00 (1.38)      | 30       |
| AK350/8  | 32.008   | 40.00 (1.58)      | 30       |
| AK350/9  | 32.009   | 45.00 (1.77)      | 30       |
| AK350/10 | 32.010   | 50.00 (1.97)      | 30       |
| AK350/11 | 32.011   | 55.00 (2.17)      | 20       |
| AK350/12 | 32.012   | 60.00 (2.36)      | 20       |
| AK350/13 | 32.013   | 65.00 (2.56)      | 20       |
| AK350/14 | 32.014   | 70.00 (2.76)      | 20       |
| AK350/15 | 32.015   | 75.00 (2.95)      | 20       |
| AK350/16 | 32.016   | 80.00 (3.15)      | 15       |
| AK350/17 | 32.017   | 85.00 (3.35)      | 15       |
| AK350/18 | 32.018   | 90.00 (3.54)      | 15       |
| AK350/19 | 32.019   | 95.00 (3.74)      | 15       |
| AK350/20 | 32.020   | 100.00 (3.94)     | 15       |
| AK350/21 | 32.021   | 105.00 (4.13)     | 10       |
| AK350/22 | 32.022   | 110.00 (4.33)     | 10       |
| AK350/23 | 32.023   | 115.00 (4.53)     | 10       |
| AK350/24 | 32.024   | 120.00 (4.72)     | 10       |



Open Bottom Design

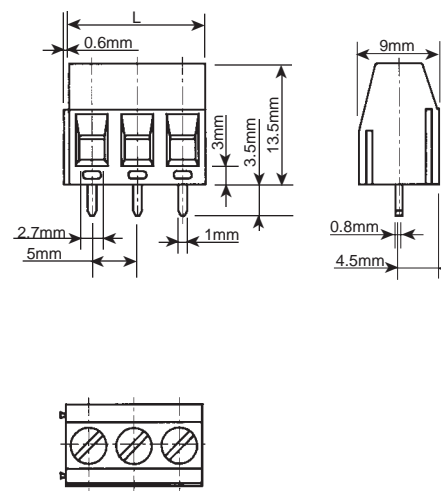
## AK351

### Front Wire Entry

Pin Spacing 5mm (.197)  
Stripping Length 6mm (.236)  
Screw Hole Diameter 4.0mm (.158)

| Wire Range             | Current | Voltage |
|------------------------|---------|---------|
| 0.5-2.5mm <sup>2</sup> | 16A     | 250V    |
| 22-12 AWG              | 16A     | 300V    |
| 28-14 AWG              | 16A     | 300V    |

| Type     | Cat. No. | Length L mm (in.) | Std. Pk. |
|----------|----------|-------------------|----------|
| AK351/2  | 33.002   | 10.00 (.39)       | 100      |
| AK351/3  | 33.003   | 15.00 (.59)       | 100      |
| AK351/4  | 33.004   | 20.00 (.79)       | 50       |
| AK351/5  | 33.005   | 25.00 (.99)       | 50       |
| AK351/6  | 33.006   | 30.00 (1.18)      | 50       |
| AK351/7  | 33.007   | 35.00 (1.38)      | 30       |
| AK351/8  | 33.008   | 40.00 (1.58)      | 30       |
| AK351/9  | 33.009   | 45.00 (1.77)      | 30       |
| AK351/10 | 33.010   | 50.00 (1.97)      | 30       |
| AK351/11 | 33.011   | 55.00 (2.17)      | 20       |
| AK351/12 | 33.012   | 60.00 (2.36)      | 20       |
| AK351/13 | 33.013   | 65.00 (2.56)      | 20       |
| AK351/14 | 33.014   | 70.00 (2.76)      | 20       |
| AK351/15 | 33.015   | 75.00 (2.95)      | 20       |
| AK351/16 | 33.016   | 80.00 (3.15)      | 15       |
| AK351/17 | 33.017   | 85.00 (3.35)      | 15       |
| AK351/18 | 33.018   | 90.00 (3.54)      | 15       |
| AK351/19 | 33.019   | 95.00 (3.74)      | 15       |
| AK351/20 | 33.020   | 100.00 (3.94)     | 15       |
| AK351/21 | 33.021   | 105.00 (4.13)     | 10       |
| AK351/22 | 33.022   | 110.00 (4.33)     | 10       |
| AK351/23 | 33.023   | 115.00 (4.53)     | 10       |
| AK351/24 | 33.024   | 120.00 (4.72)     | 10       |



Test probe openings on back for access to pins



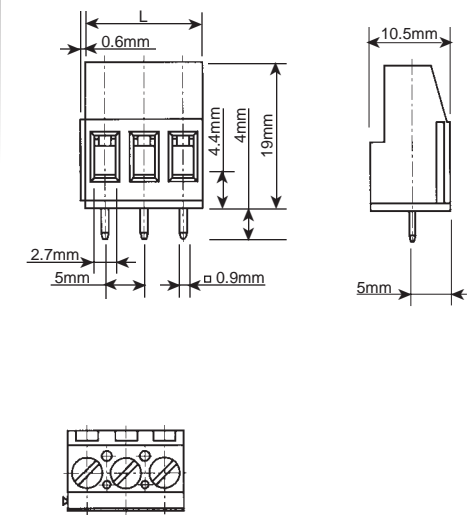
## AK700

### Front Wire Entry

Pin Spacing 5mm (.197)  
Stripping Length 8mm (.315)  
Screw Hole Diameter 3.5mm (.138)

| Wire Range           | Current | Voltage |
|----------------------|---------|---------|
| 0.5-4mm <sup>2</sup> | 16A     | 250V    |
| 22-12 AWG            | 15A     | 300V    |
| 22-12 AWG            | 15A     | 300V    |

| Type     | Cat. No. | Length L mm (in.) | Std. Pk. |
|----------|----------|-------------------|----------|
| AK700/2  | 30.802   | 10.00 (.39)       | 100      |
| AK700/3  | 30.803   | 15.00 (.59)       | 100      |
| AK700/4  | 30.804   | 20.00 (.79)       | 50       |
| AK700/5  | 30.805   | 25.00 (.99)       | 50       |
| AK700/6  | 30.806   | 30.00 (1.18)      | 50       |
| AK700/7  | 30.807   | 35.00 (1.38)      | 30       |
| AK700/8  | 30.808   | 40.00 (1.58)      | 30       |
| AK700/9  | 30.809   | 45.00 (1.77)      | 30       |
| AK700/10 | 30.810   | 50.00 (1.97)      | 30       |
| AK700/11 | 30.811   | 55.00 (2.17)      | 20       |
| AK700/12 | 30.812   | 60.00 (2.36)      | 20       |
| AK700/13 | 30.813   | 65.00 (2.56)      | 20       |
| AK700/14 | 30.814   | 70.00 (2.76)      | 20       |
| AK700/15 | 30.815   | 75.00 (2.95)      | 20       |
| AK700/16 | 30.816   | 80.00 (3.15)      | 15       |
| AK700/17 | 30.817   | 85.00 (3.35)      | 15       |
| AK700/18 | 30.818   | 90.00 (3.54)      | 15       |
| AK700/19 | 30.819   | 95.00 (3.74)      | 15       |
| AK700/20 | 30.820   | 100.00 (3.94)     | 15       |
| AK700/21 | 30.821   | 105.00 (4.13)     | 10       |
| AK700/22 | 30.822   | 110.00 (4.33)     | 10       |
| AK700/23 | 30.823   | 115.00 (4.53)     | 10       |
| AK700/24 | 30.824   | 120.00 (4.72)     | 10       |



# FIXED PRINTED CIRCUIT DOUBLE AND SINGLE LEVEL Metric Pin Spacing<sup>a</sup> Screw-Cage Clamp

For wire-to-board connections in industrial applications and where frequent wire terminations occur.

Use Double Level where space requirements call for high density wiring.

- Multipole, Modular Design
- Housing Material: Polyamide 6.6
- Standard Color: Green

<sup>a</sup>Blocks with US (Inch) pin spacing begin on page 110.



**AK705**  
Top Wire Entry

Pin Spacing 5mm (.197)  
Stripping Length 8mm (.315)  
Screw Hole Diameter 3mm (.118)



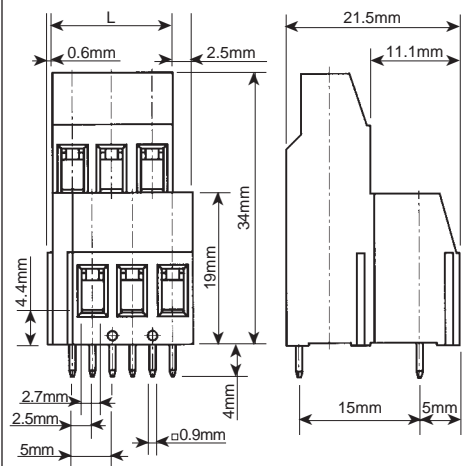
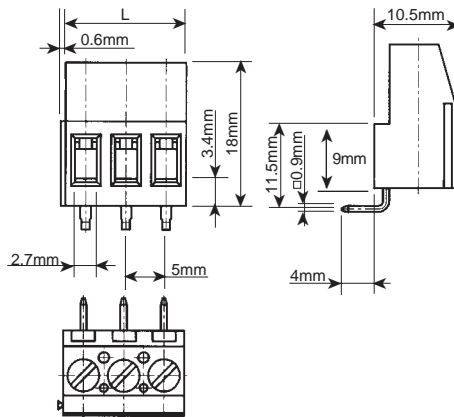
**AK750**  
Front Wire Entry

Pin Spacing 5mm (.197)  
Stripping Length 8mm (.315)  
Screw Hole Diameter 4mm (.158)

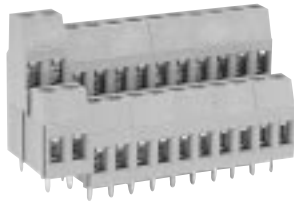
| Ratings<br>IEC/DE      | Wire Range           | Current | Voltage | Wire Range           | Current | Voltage |
|------------------------|----------------------|---------|---------|----------------------|---------|---------|
| UL (File No. E101811)  | 0.5-4mm <sup>2</sup> | 16A     | 250V    | 0.5-4mm <sup>2</sup> | 16A     | 250V    |
| CSA (File No. LR68503) | 22-12 AWG            | 15A     | 300V    | 22-12 AWG            | 15A     | 300V    |
|                        | 22-12 AWG            | 15A     | 300V    | 22-12 AWG            | 15A     | 300V    |

| Ordering Information           |    | No. of Poles |       | AK705    |          |                      | AK750    |          |          |                      |          |
|--------------------------------|----|--------------|-------|----------|----------|----------------------|----------|----------|----------|----------------------|----------|
|                                |    | AK750        | AK710 | Type     | Cat. No. | Length L<br>mm (in.) | Std. Pk. | Type     | Cat. No. | Length L<br>mm (in.) | Std. Pk. |
| Terminal Block, mm Pin Spacing | 4  | 2            | AK400 | AK705/2  | 35.102   | 10.00 (.39)          | 100      | AK750/4  | 31.004   | 12.50 (.49)          | 50       |
|                                | 6  | 3            | AK705 | AK705/3  | 35.103   | 15.00 (.59)          | 100      | AK750/6  | 31.006   | 17.50 (.69)          | 50       |
|                                | 8  | 4            | AK710 | AK705/4  | 35.104   | 20.00 (.79)          | 50       | AK750/8  | 31.008   | 22.50 (.89)          | 25       |
|                                | 10 | 5            | AK793 | AK705/5  | 35.105   | 25.00 (.99)          | 50       | AK750/10 | 31.010   | 27.50 (1.08)         | 25       |
|                                | 12 | 6            |       | AK705/6  | 35.106   | 30.00 (1.18)         | 50       | AK750/12 | 31.012   | 32.50 (1.28)         | 25       |
|                                | 14 | 7            |       | AK705/7  | 35.107   | 35.00 (1.38)         | 30       | AK750/14 | 31.014   | 37.50 (1.48)         | 15       |
|                                | 16 | 8            |       | AK705/8  | 35.108   | 40.00 (1.58)         | 30       | AK750/16 | 31.016   | 42.50 (1.67)         | 15       |
|                                | 18 | 9            |       | AK705/9  | 35.109   | 45.00 (1.77)         | 30       | AK750/18 | 31.018   | 47.50 (1.87)         | 15       |
|                                | 20 | 10           |       | AK705/10 | 35.110   | 50.00 (1.97)         | 30       | AK750/20 | 31.020   | 52.50 (2.07)         | 15       |
|                                | 22 | 11           |       | AK705/11 | 35.111   | 55.00 (2.17)         | 20       | AK750/22 | 31.022   | 57.50 (2.26)         | 10       |
|                                | 24 | 12           |       | AK705/12 | 35.112   | 60.00 (2.36)         | 20       | AK750/24 | 31.024   | 62.50 (2.46)         | 10       |
|                                | 26 | 13           |       | AK705/13 | 35.113   | 65.00 (2.56)         | 20       | AK750/26 | 31.026   | 67.50 (2.66)         | 10       |
|                                | 28 | 14           |       | AK705/14 | 35.114   | 70.00 (2.76)         | 20       | AK750/28 | 31.028   | 72.50 (2.85)         | 10       |
|                                | 30 | 15           |       | AK705/15 | 35.115   | 75.00 (2.95)         | 20       | AK750/30 | 31.030   | 77.50 (3.05)         | 10       |
|                                | 32 | 16           |       | AK705/16 | 35.116   | 80.00 (3.15)         | 15       | AK750/32 | 31.032   | 82.50 (3.25)         | 10       |
|                                | 34 | 17           |       | AK705/17 | 35.117   | 85.00 (3.35)         | 15       | AK750/34 | 31.034   | 87.50 (3.45)         | 10       |
|                                | 36 | 18           |       | AK705/18 | 35.118   | 90.00 (3.54)         | 15       | AK750/36 | 31.036   | 92.50 (3.64)         | 10       |
|                                | 38 | 19           |       | AK705/19 | 35.119   | 95.00 (3.74)         | 15       | AK750/38 | 31.038   | 97.50 (3.84)         | 10       |
|                                | 40 | 20           |       | AK705/20 | 35.120   | 100.00 (3.94)        | 15       | AK750/40 | 31.040   | 102.50 (4.03)        | 5        |
|                                | 42 | 21           |       | AK705/21 | 35.121   | 105.00 (4.13)        | 10       | AK750/42 | 31.042   | 107.50 (4.23)        | 5        |
|                                | 44 | 22           |       | AK705/22 | 35.122   | 110.00 (4.33)        | 10       | AK750/44 | 31.044   | 112.50 (4.43)        | 5        |
|                                | 46 | 23           |       | AK705/23 | 35.123   | 115.00 (4.53)        | 10       | AK750/46 | 31.046   | 117.50 (4.63)        | 5        |
|                                | 48 | 24           |       | AK705/24 | 35.124   | 120.00 (4.72)        | 10       | AK750/48 | 31.048   | 122.50 (4.82)        | 5        |
|                                | 50 |              |       |          |          |                      |          | AK750/50 | 31.050   | 127.50 (5.02)        | 5        |
|                                | 52 |              |       |          |          |                      |          |          |          |                      |          |

| Dimensions |       |       |       |
|------------|-------|-------|-------|
| mm         | in.   | mm    | in.   |
| 0.60       | 0.024 | 10.50 | 0.413 |
| 0.80       | 0.03  | 10.80 | 0.425 |
| 0.90       | 0.035 | 11.10 | 0.437 |
| 1.00       | 0.039 | 11.50 | 0.453 |
| 2.50       | 0.098 | 12.50 | 0.492 |
| 2.70       | 0.106 | 15.00 | 0.591 |
| 3.40       | 0.134 | 18.00 | 0.709 |
| 4.00       | 0.157 | 19.00 | 0.748 |
| 4.40       | 0.173 | 21.50 | 0.846 |
| 4.50       | 0.177 | 21.70 | 0.854 |
| 5.00       | 0.197 | 22.50 | 0.886 |
| 5.20       | 0.205 | 25.00 | 0.984 |
| 6.50       | 0.256 | 31.40 | 1.236 |
| 7.50       | 0.295 | 34.00 | 1.339 |
| 9.00       | 0.354 |       |       |
| 10.00      | 0.394 |       |       |



No pin offset

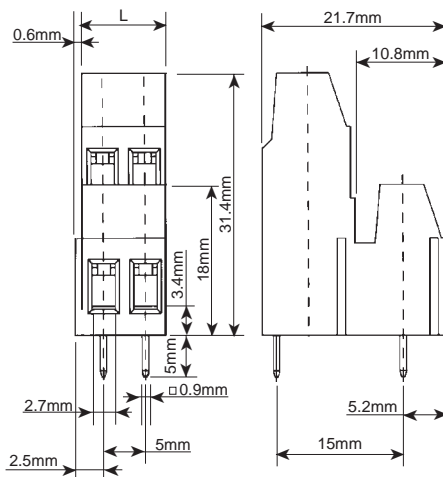


## AK790 Front Wire Entry

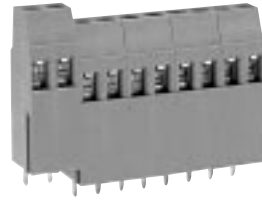
Pin Spacing 5mm (.197)  
Stripping Length 8mm (.315)  
Screw Hole Diameter 4mm (.157)

| Wire Range             | Current | Voltage |
|------------------------|---------|---------|
| 0.5-4mm <sup>2</sup>   | 16A     | 250V    |
| 22-12 AWG <sup>b</sup> | 15A     | 300V    |
| 22-12 AWG <sup>b</sup> | 15A     | 300V    |

| Type     | Cat. No. | Length L<br>mm (in.) | Std. Pk. |
|----------|----------|----------------------|----------|
| AK790/4  | 34.804   | 10.00 (.39)          | 50       |
| AK790/8  | 34.808   | 20.00 (.79)          | 25       |
| AK790/12 | 34.812   | 30.00 (1.18)         | 25       |
| AK790/16 | 34.816   | 40.00 (1.58)         | 15       |
| AK790/20 | 34.820   | 50.00 (1.97)         | 15       |
| AK790/24 | 34.824   | 60.00 (2.36)         | 10       |
| AK790/28 | 34.828   | 70.00 (2.76)         | 10       |
| AK790/32 | 34.832   | 80.00 (3.15)         | 10       |
| AK790/36 | 34.836   | 90.00 (3.54)         | 10       |
| AK790/40 | 34.840   | 100.00 (3.94)        | 5        |
| AK790/44 | 34.844   | 110.00 (4.33)        | 5        |
| AK790/48 | 34.848   | 120.00 (4.72)        | 5        |
| AK790/52 | 34.852   | 130.00 (5.12)        | 5        |



<sup>b</sup>Pending  
Note: Missing No. of Poles available in 1997

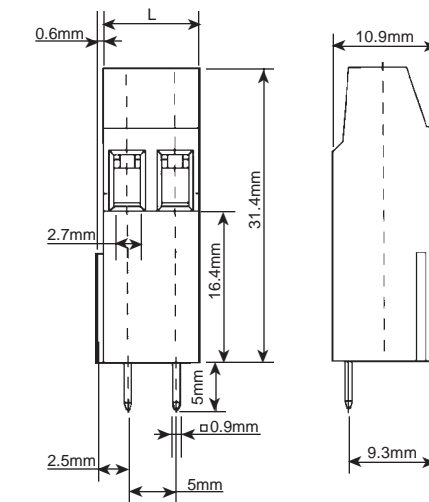


## AK793 Front Wire Entry

Pin Spacing 5mm (.197)  
Stripping Length 8mm (.315)  
Screw Hole Diameter 4mm (.157)

| Wire Range             | Current | Voltage |
|------------------------|---------|---------|
| 0.5-4mm <sup>2</sup>   | 16A     | 250V    |
| 22-12 AWG <sup>b</sup> | 15A     | 300V    |
| 22-12 AWG <sup>b</sup> | 15A     | 300V    |

| Type     | Cat. No. | Length L<br>mm (in.) | Std. Pk. |
|----------|----------|----------------------|----------|
| AK793/2  | 34.902   | 10.00 (.39)          | 100      |
| AK793/4  | 34.904   | 20.00 (.79)          | 50       |
| AK793/6  | 34.906   | 30.00 (1.18)         | 50       |
| AK793/8  | 34.908   | 40.00 (1.58)         | 30       |
| AK793/10 | 34.910   | 50.00 (1.97)         | 30       |
| AK793/12 | 34.912   | 60.00 (2.36)         | 20       |
| AK793/14 | 34.914   | 70.00 (2.76)         | 20       |
| AK793/16 | 34.916   | 80.00 (3.15)         | 15       |
| AK793/18 | 34.918   | 90.00 (3.54)         | 15       |



<sup>b</sup>Pending  
Note: Missing No. of Poles available in 1997

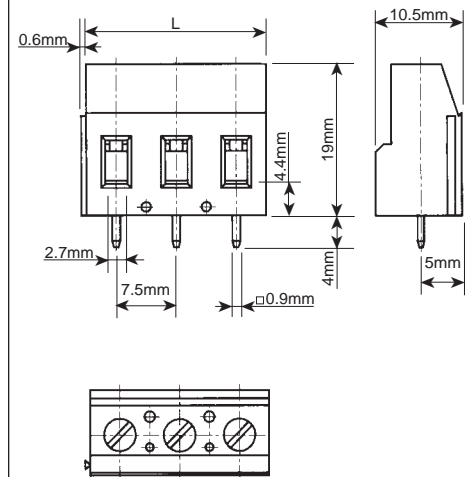


## AK710 Front Wire Entry

Pin Spacing 7.5mm (.295)  
Stripping Length 8mm (.315)  
Screw Hole Diameter 3.5mm (.138)

| Wire Range           | Current | Voltage |
|----------------------|---------|---------|
| 0.5-4mm <sup>2</sup> | 16A     | 500V    |
| 22-12 AWG            | 15A     | 300V    |
| 22-12AWG             | 15A     | 300V    |

| Type     | Cat. No. | Length L<br>mm (in.) | Std. Pk. |
|----------|----------|----------------------|----------|
| AK710/2  | 30.902   | 15.00 (.59)          | 100      |
| AK710/3  | 30.903   | 22.50 (.89)          | 100      |
| AK710/4  | 30.904   | 30.00 (1.18)         | 50       |
| AK710/5  | 30.905   | 37.50 (1.48)         | 50       |
| AK710/6  | 30.906   | 45.00 (1.77)         | 50       |
| AK710/7  | 30.907   | 52.50 (2.08)         | 30       |
| AK710/8  | 30.908   | 60.00 (2.36)         | 30       |
| AK710/9  | 30.909   | 67.50 (2.66)         | 30       |
| AK710/10 | 30.910   | 75.00 (2.95)         | 30       |
| AK710/11 | 30.911   | 82.50 (3.25)         | 20       |
| AK710/12 | 30.912   | 90.00 (3.54)         | 20       |
| AK710/13 | 30.913   | 97.50 (3.84)         | 20       |
| AK710/14 | 30.914   | 105.00 (4.13)        | 20       |
| AK710/15 | 30.915   | 112.50 (4.43)        | 20       |





# FIXED PRINTED CIRCUIT DOUBLE AND SINGLE LEVEL Metric Pin Spacing<sup>a</sup> Screw-Cage Clamp

For wire-to-board connections in industrial applications and where frequent wire terminations occur.

Use Double Level where space requirements call for high density wiring.

- Multipole, Modular Design
- Housing Material: Polyamide 6.6
- Standard Color: Green



**AK800**  
Front Wire Entry



**AK850**  
Front Wire Entry

<sup>a</sup>Blocks with US (Inch) pin spacing begin on page 110.

Pin Spacing 10mm (.394)  
Stripping Length 8mm (.315)  
Screw Hole Diameter 3.5mm (.138)

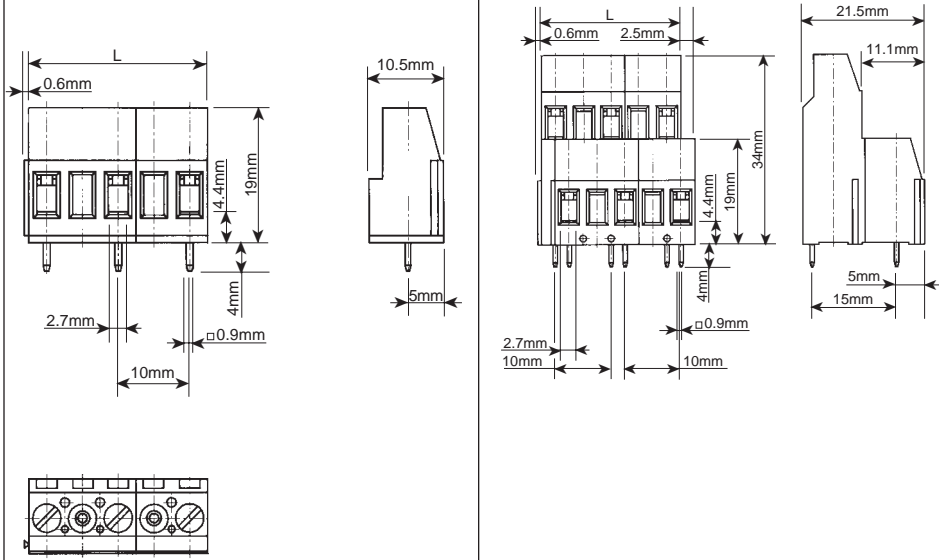
Pin Spacing 10mm (.394)  
Stripping Length 8mm (.315)  
Screw Hole Diameter 4mm (.158)

| Ratings                |  | Wire Range           | Current | Voltage | Wire Range           | Current | Voltage |
|------------------------|--|----------------------|---------|---------|----------------------|---------|---------|
| IEC/VDE                |  | 0.5-4mm <sup>2</sup> | 16A     | 630V    | 0.5-4mm <sup>2</sup> | 16A     | 630V    |
| UL (File No. E101811)  |  | 22-12 AWG            | 15A     | 300V    | 22-12 AWG            | 15A     | 300V    |
| CSA (File No. LR68503) |  | 22-12 AWG            | 15A     | 300V    | 22-12 AWG            | 15A     | 300V    |

| Ordering Information           | No. of Poles | Type     | Cat. No. | Length L      | Std. Pk. | Type     | Cat. No. | Length L      | Std. Pk. |
|--------------------------------|--------------|----------|----------|---------------|----------|----------|----------|---------------|----------|
|                                | AK850 AK800  |          |          | mm (in.)      |          |          |          | mm (in.)      |          |
| Terminal Block, mm Pin Spacing | 4            | AK800/2  | 39.102   | 15.00 (.59)   | 100      | AK850/4  | 34.704   | 17.50 (.69)   | 50       |
|                                | 6            | AK800/3  | 39.103   | 25.00 (.99)   | 50       | AK850/6  | 34.706   | 27.50 (1.08)  | 25       |
|                                | 8            | AK800/4  | 39.104   | 35.00 (1.38)  | 30       | AK850/8  | 34.708   | 37.50 (1.48)  | 15       |
|                                | 10           | AK800/5  | 39.105   | 45.00 (1.77)  | 30       | AK850/10 | 34.710   | 47.50 (1.87)  | 15       |
|                                | 12           | AK800/6  | 39.106   | 55.00 (2.17)  | 20       | AK850/12 | 34.712   | 57.50 (2.26)  | 10       |
|                                | 14           | AK800/7  | 39.107   | 65.00 (2.56)  | 20       | AK850/14 | 34.714   | 67.50 (2.66)  | 10       |
|                                | 16           | AK800/8  | 39.108   | 75.00 (2.95)  | 20       | AK850/16 | 34.716   | 77.50 (3.05)  | 10       |
|                                | 18           | AK800/9  | 39.109   | 85.00 (3.35)  | 15       | AK850/18 | 34.718   | 87.50 (3.45)  | 10       |
|                                | 20           | AK800/10 | 39.110   | 95.00 (3.74)  | 15       | AK850/20 | 34.720   | 97.50 (3.84)  | 10       |
|                                | 22           | AK800/11 | 39.111   | 105.00 (4.13) | 10       | AK850/22 | 34.722   | 107.50 (4.23) | 10       |
|                                | 24           | AK800/12 | 39.112   | 115.00 (4.53) | 10       | AK850/24 | 34.724   | 117.50 (4.63) | 10       |

| Dimensions |       |       |       |
|------------|-------|-------|-------|
| mm         | in.   | mm    | in.   |
| 0.60       | 0.024 | 10.50 | 0.413 |
| 0.90       | 0.035 | 11.10 | 0.437 |
| 2.50       | 0.098 | 15.00 | 0.591 |
| 2.70       | 0.106 | 19.00 | 0.748 |
| 4.00       | 0.157 | 21.50 | 0.846 |
| 4.40       | 0.173 | 25.00 | 0.984 |
| 5.00       | 0.197 | 34.00 | 1.339 |
| 10.00      | 0.394 |       |       |



## FIXED PRINTED CIRCUIT Metric Pin Spacing<sup>a</sup> Dual Pin Screwless Spring Clamp

Choose from 3 methods of clamp actuation:

Type AK(Z)3000 - Insert a small screwdriver with a tip width up to 3mm (approx. 1/8") into slot in housing and push to open clamp.

Type AK(Z)3001KD - Push on grooved lever with screwdriver to open clamp.

Type AK(Z)3001FD - Simply push flat lever with finger to open clamp.

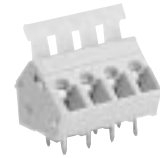
- Interlocking Sectional Design
- Stainless Steel Spring
- Front to Rear Pin Spacing, 5mm (.197 in.)
- Multipole Assemblies Supplied with End Plate Installed.
- Housing Material: Polyamide 6.6
- Standard Color: Light Gray

<sup>a</sup>Blocks with US (inch) pin spacing begin on page 110.

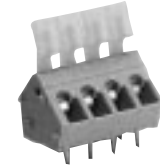


**AK3000**  
45° Wire Entry  
Without Lever

Pin Spacing 5mm (.197)  
Stripping Length 6mm (.236)



**AK3001KD**  
45° Wire Entry  
With Grooved Push Lever



**AK3001FD**  
45° Wire Entry  
With Flat Push Lever

Pin Spacing 5mm (.197)  
Stripping Length 6mm (.236)



| Wire Range             | Current | Voltage |
|------------------------|---------|---------|
| 0.5-2.5mm <sup>2</sup> | 10A     | 250V    |
| 28-14 AWG              | 15A     | 300V    |
| 28-14 AWG              | 15A     | 300V    |

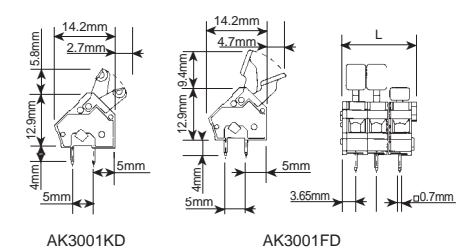
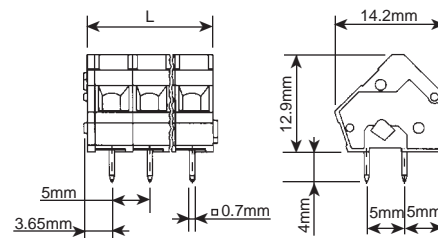
| Wire Range             | Current | Voltage |
|------------------------|---------|---------|
| 0.5-2.5mm <sup>2</sup> | 10A     | 250V    |
| 28-14 AWG              | 15A     | 300V    |
| 28-14 AWG              | 15A     | 300V    |

| Ordering Information   | No. of Poles <sup>c</sup> | Length L                       |          |              |                  | Length L    |          |              |                  |
|--|---------------------------|--------------------------------|----------|--------------|------------------|-------------|----------|--------------|------------------|
|  |                           | Type                           | Cat. No. | mm (in.)     | Std. Pk.         | Type        | Cat. No. | mm (in.)     | Std. Pk.         |
| <b>Terminal Block, mm Pin Spacing</b>                          |                           | <b>With Grooved Push Lever</b> |          |              |                  |             |          |              |                  |
| <b>Two through twelve pole assemblies include one endplate</b> |                           |                                |          |              |                  |             |          |              |                  |
|  | 1 <sup>b</sup>            | AK3000/1                       | 32.101   | 7.20 (.28)   | 200 <sup>b</sup> | AK3001KD/1  | 32.201   | 7.90 (.31)   | 200 <sup>b</sup> |
|  | 2                         | AK3000/2                       | 32.102   | 12.20 (.48)  | 100              | AK3001KD/2  | 32.202   | 12.90 (.50)  | 100              |
|  | 3                         | AK3000/3                       | 32.103   | 17.20 (.67)  | 100              | AK3000KD/3  | 32.203   | 17.90 (.70)  | 100              |
|  | 4                         | AK3000/4                       | 32.104   | 22.20 (.87)  | 50               | AK3001KD/4  | 32.204   | 22.90 (.90)  | 50               |
|  | 5                         | AK3000/5                       | 32.105   | 27.20 (1.07) | 50               | AK3001KD/5  | 32.205   | 27.90 (1.10) | 50               |
|  | 6                         | AK3000/6                       | 32.106   | 32.20 (1.28) | 50               | AK3001KD/6  | 32.206   | 32.90 (1.30) | 50               |
|  | 7                         | AK3000/7                       | 32.107   | 37.20 (1.46) | 30               | AK3001KD/7  | 32.207   | 37.90 (1.49) | 30               |
|  | 8                         | AK3000/8                       | 32.108   | 42.20 (1.66) | 30               | AK3001KD/8  | 32.208   | 42.90 (1.69) | 30               |
|  | 9                         | AK3000/9                       | 32.109   | 47.20 (1.85) | 30               | AK3001KD/9  | 32.209   | 47.90 (1.89) | 30               |
|  | 10                        | AK3000/10                      | 32.110   | 52.20 (2.25) | 30               | AK3001KD/10 | 32.210   | 52.90 (2.08) | 30               |
|  | 11                        | AK3000/11                      | 32.111   | 57.20 (2.25) | 20               | AK3001KD/11 | 32.211   | 57.90 (2.28) | 20               |
|  | 12                        | AK3000/12                      | 32.112   | 62.20 (2.44) | 20               | AK3001KD/12 | 32.212   | 62.90 (2.44) | 20               |

| Ordering Information   | No. of Poles <sup>c</sup> | Length L                    |          |          |          | Length L    |          |              |                  |
|--|---------------------------|-----------------------------|----------|----------|----------|-------------|----------|--------------|------------------|
|  |                           | Type                        | Cat. No. | mm (in.) | Std. Pk. | Type        | Cat. No. | mm (in.)     | Std. Pk.         |
| <b>Terminal Block, mm Pin Spacing</b>                          |                           | <b>With Flat Push Lever</b> |          |          |          |             |          |              |                  |
| <b>Two through twelve pole assemblies include one endplate</b> |                           |                             |          |          |          |             |          |              |                  |
|  | 1 <sup>b</sup>            |                             |          |          |          | AK3001FD/1  | 32.301   | 7.90 (.31)   | 200 <sup>b</sup> |
|  | 2                         |                             |          |          |          | AK3001FD/2  | 32.302   | 12.90 (.50)  | 100              |
|  | 3                         |                             |          |          |          | AK3001FD/3  | 32.303   | 17.90 (.70)  | 100              |
|  | 4                         |                             |          |          |          | AK3001FD/4  | 32.304   | 22.90 (.90)  | 50               |
|  | 5                         |                             |          |          |          | AK3001FD/5  | 32.305   | 27.90 (1.10) | 50               |
|  | 6                         |                             |          |          |          | AK3001FD/6  | 32.306   | 32.90 (1.30) | 50               |
|  | 7                         |                             |          |          |          | AK3001FD/7  | 32.307   | 37.90 (1.49) | 30               |
|  | 8                         |                             |          |          |          | AK3001FD/8  | 32.308   | 42.90 (1.69) | 30               |
|  | 9                         |                             |          |          |          | AK3001FD/9  | 32.309   | 47.90 (1.89) | 30               |
|  | 10                        |                             |          |          |          | AK3001FD/10 | 32.310   | 52.90 (2.08) | 30               |
|  | 11                        |                             |          |          |          | AK3001FD/11 | 32.311   | 57.90 (2.28) | 20               |
|  | 12                        |                             |          |          |          | AK3001FD/12 | 32.312   | 62.90 (2.44) | 20               |

| End Plate | AP3000 | 32.100 | 50 | AP3001 | 32.200 | 50 |
|-----------|--------|--------|----|--------|--------|----|
|-----------|--------|--------|----|--------|--------|----|

| Dimensions |       |       |       |
|------------|-------|-------|-------|
| mm         | in.   | mm    | in.   |
| 0.70       | 0.028 | 5.80  | 0.228 |
| 2.70       | 0.106 | 9.40  | 0.370 |
| 3.65       | 0.144 | 12.90 | 0.508 |
| 4.00       | 0.157 | 14.20 | 0.559 |
| 4.70       | 0.185 |       |       |
| 5.00       | 0.197 |       |       |



<sup>b</sup> Supplied as 50 pole break apart assemblies, includes one end plate. Order additional end plates separately  
<sup>c</sup> Up to 50 poles available, please consult Altech

# PLUGGABLE PRINTED CIRCUIT Metric Pin Spacing<sup>a</sup> Tubular Screw Clamp Plug

For plug-in applications where infrequent wire-to-board connections are made and a very cost effective pluggable terminal block is needed.

Multipole assemblies are offered in modular interlocking design up to 12 poles or single mold construction up to 16 poles. While modular construction reduces and simplifies inventory, the single mold design provides maximum strength.

- Modular or Single Mold Design
- Wire Protector Standard
- Housing Material: Polyamide 6.6
- Standard Color: Gray

<sup>a</sup>Blocks with US (Inch) pin spacing begin on page 110.



## AK130 Modular Plug

Pole Spacing 5mm (.197)  
Stripping Length 6mm (.236)  
Screw Hole Diameter 3.5mm (.138)

Use with STL130, STL132, STL140 Headers



## AK132 Single Mold Plug

Pole Spacing 5mm (.197)  
Stripping Length 6mm (.236)  
Screw Hole Diameter 3.5mm (.138)

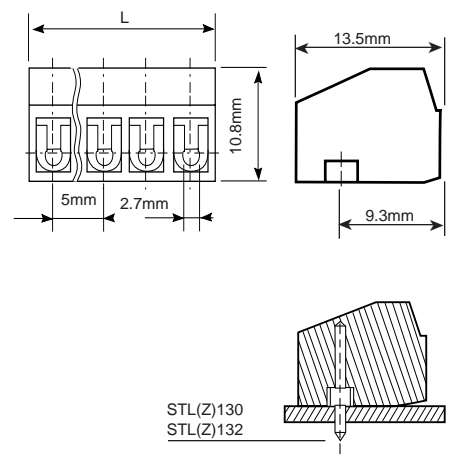
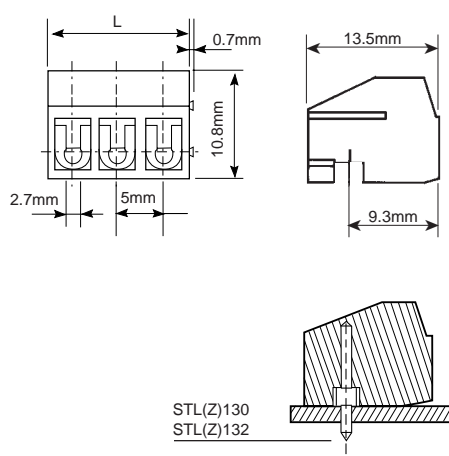
Use with STL130, STL132, STL140 Headers

| Ratings                |  | Wire Range             | Current | Voltage | Wire Range             | Current | Voltage |
|------------------------|--|------------------------|---------|---------|------------------------|---------|---------|
| IEC/VDE                |  | 0.5-1.5mm <sup>2</sup> | 10A     | 250V    | 0.5-1.5mm <sup>2</sup> | 10A     | 250V    |
| UL (File No. E101811)  |  | 22-14 AWG              | 10A     | 300V    | 22-14 AWG              | 10A     | 300V    |
| CSA (File No. LR68503) |  | 22-14 AWG              | 10A     | 300V    | 22-14 AWG              | 10A     | 300V    |

| Ordering Information  | No. of Poles | Type       | Cat. No. | Length L mm (in.) | Std. Pk. | Type       | Cat. No. | Length L mm (in.) | Std. Pk. |
|-----------------------|--------------|------------|----------|-------------------|----------|------------|----------|-------------------|----------|
| Plug, mm Pole Spacing | 2            | AK130/2wp  | 30.302   | 10.00 (.39)       | 100      | AK132/2wp  | 30.322   | 10.00 (.39)       | 100      |
|                       | 3            | AK130/3wp  | 30.303   | 15.00 (.59)       | 100      | AK132/3wp  | 30.323   | 15.00 (.59)       | 100      |
|                       | 4            | AK130/4wp  | 30.304   | 20.00 (.79)       | 50       | AK132/4wp  | 30.324   | 20.00 (.79)       | 50       |
|                       | 5            | AK130/5wp  | 30.305   | 25.00 (.99)       | 50       | AK132/5wp  | 30.325   | 25.00 (.99)       | 50       |
|                       | 6            | AK130/6wp  | 30.306   | 30.00 (1.18)      | 50       | AK132/6wp  | 30.326   | 30.00 (1.18)      | 50       |
|                       | 7            | AK130/7wp  | 30.307   | 35.00 (1.38)      | 30       | AK132/7wp  | 30.327   | 35.00 (1.38)      | 30       |
|                       | 8            | AK130/8wp  | 30.308   | 40.00 (1.58)      | 30       | AK132/8wp  | 30.328   | 40.00 (1.58)      | 30       |
|                       | 9            | AK130/9wp  | 30.309   | 45.00 (1.77)      | 30       | AK132/9wp  | 30.329   | 45.00 (1.77)      | 30       |
|                       | 10           | AK130/10wp | 30.310   | 50.00 (1.97)      | 30       | AK132/10wp | 30.330   | 50.00 (1.97)      | 30       |
|                       | 11           | AK130/11wp | 30.311   | 55.00 (2.17)      | 20       | AK132/11wp | 30.331   | 55.00 (2.17)      | 20       |
|                       | 12           | AK130/12wp | 30.312   | 60.00 (2.36)      | 20       | AK132/12wp | 30.332   | 60.00 (2.36)      | 20       |
|                       | 13           |            |          |                   |          | AK132/13wp | 30.333   | 65.00 (2.56)      | 20       |
|                       | 14           |            |          |                   |          | AK132/14wp | 30.334   | 70.00 (2.76)      | 20       |
|                       | 15           |            |          |                   |          | AK132/15wp | 30.335   | 75.00 (2.95)      | 20       |
|                       | 16           |            |          |                   |          | AK132/16wp | 30.336   | 80.00 (3.15)      | 15       |

| Dimensions |       |       |       |
|------------|-------|-------|-------|
| mm         | in.   | mm    | in.   |
| 0.70       | 0.028 | 9.30  | 0.366 |
| 2.70       | 0.106 | 10.80 | 0.425 |
| 5.00       | 0.197 | 13.50 | 0.531 |



## PLUGGABLE PRINTED CIRCUIT Metric Pin Spacing<sup>a</sup> Pin Headers

STL130, STL132 (Straight) and STL140 (Right Angle) Pin Headers are used with the highly cost effective Tubular Screw Clamp Plugs, Types AK130 and AK132. in lighter duty applications where infrequent wire to board connections must be made. Type STL132 features a reduced pin diameter of 1.0mm (.0394") on the soldering side.

Open pin headers are supplied in strips up to 16 poles or in standard 24 pole lengths. The Pin Header strip features breakaway construction that eliminates cutting or sawing.

- Straight and Right Angle
- Strip Material: Polyamide 6.6
- Standard Color: Gray

<sup>a</sup>Blocks with US (Inch) pin spacing begin on page 110.



**STL130**  
Straight Pin Header



**STL140**  
Right Angle Pin Header<sup>b</sup>

Pin Spacing 5mm (.197)

Use with AK130 and AK132 Plugs

Smaller pin diameter for 1.0mm (.0394") through-holes



**STL132**  
Straight Pin Header

Pin Spacing 5mm (.197)

Use with AK130, AK132 Plugs

### Ratings

IEC/VDE

(File No. E101811)

(File No. LR68503)

### Current

10A

10A<sup>c</sup>

10A<sup>c</sup>

### Voltage

250V

300V<sup>c</sup>

300V<sup>c</sup>

### Current

10A

10A<sup>c</sup>

10A<sup>c</sup>

### Voltage

250V

300V<sup>c</sup>

300V<sup>c</sup>

### Ordering Information

No. of Poles

Type

Cat. No.

Length L  
mm (in.)

Std. Pk.

Type

Cat. No.

Length L  
mm (in.)

Std. Pk.

Straight Pin Header,  
mm Pin Spacing

|   |          |        |              |     |
|---|----------|--------|--------------|-----|
| 2 | STL130/2 | 30.352 | 10.00 (.39)  | 100 |
| 3 | STL130/3 | 30.353 | 15.00 (.59)  | 100 |
| 4 | STL130/4 | 30.354 | 20.00 (.79)  | 50  |
| 5 | STL130/5 | 30.355 | 25.00 (.98)  | 50  |
| 6 | STL130/6 | 30.356 | 30.00 (1.18) | 50  |
| 7 | STL130/7 | 30.357 | 35.00 (1.38) | 30  |

|   |          |        |              |     |
|---|----------|--------|--------------|-----|
| 2 | STL132/2 | 32.502 | 10.00 (.39)  | 100 |
| 3 | STL132/3 | 32.503 | 15.00 (.59)  | 100 |
| 4 | STL132/4 | 32.504 | 20.00 (.79)  | 50  |
| 5 | STL132/5 | 32.505 | 25.00 (.98)  | 50  |
| 6 | STL132/6 | 32.506 | 30.00 (1.18) | 50  |
| 7 | STL132/7 | 32.507 | 35.00 (1.38) | 30  |

|    |           |        |              |    |
|----|-----------|--------|--------------|----|
| 8  | STL130/8  | 30.358 | 40.00 (1.58) | 30 |
| 9  | STL130/9  | 30.359 | 45.00 (1.77) | 30 |
| 10 | STL130/10 | 30.360 | 50.00 (1.97) | 30 |
| 11 | STL130/11 | 30.361 | 55.00 (2.17) | 20 |
| 12 | STL130/12 | 30.362 | 60.00 (2.36) | 20 |
| 13 | STL130/13 | 30.363 | 65.00 (2.56) | 20 |
| 14 | STL130/14 | 30.364 | 70.00 (2.76) | 20 |

|    |           |        |              |    |
|----|-----------|--------|--------------|----|
| 8  | STL132/8  | 32.508 | 40.00 (1.58) | 30 |
| 9  | STL132/9  | 32.509 | 45.00 (1.77) | 30 |
| 10 | STL132/10 | 32.510 | 50.00 (1.97) | 30 |
| 11 | STL132/11 | 32.511 | 55.00 (2.17) | 20 |
| 12 | STL132/12 | 32.512 | 60.00 (2.36) | 20 |
| 13 | STL132/13 | 32.513 | 65.00 (2.56) | 20 |
| 14 | STL132/14 | 32.514 | 70.00 (2.76) | 20 |

|    |           |        |               |    |
|----|-----------|--------|---------------|----|
| 15 | STL130/15 | 30.365 | 75.00 (2.95)  | 20 |
| 16 | STL130/16 | 30.366 | 80.00 (3.15)  | 20 |
| 24 | STL130/24 | 30.374 | 120.00 (4.72) | 20 |

|    |           |        |               |    |
|----|-----------|--------|---------------|----|
| 15 | STL132/15 | 32.515 | 75.00 (2.95)  | 20 |
| 16 | STL132/16 | 32.516 | 80.00 (3.15)  | 20 |
| 24 | STL132/24 | 32.524 | 120.00 (4.72) | 20 |

Right Angle Pin Header,  
mm Pin Spacing

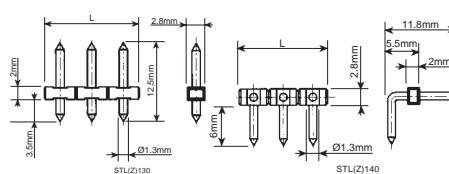
|   |          |        |              |     |
|---|----------|--------|--------------|-----|
| 2 | STL140/2 | 30.472 | 10.00 (.39)  | 100 |
| 3 | STL140/3 | 30.473 | 15.00 (.59)  | 100 |
| 4 | STL140/4 | 30.474 | 20.00 (.79)  | 50  |
| 5 | STL140/5 | 30.475 | 25.00 (.98)  | 50  |
| 6 | STL140/6 | 30.476 | 30.00 (1.18) | 50  |
| 7 | STL140/7 | 30.477 | 35.00 (1.38) | 50  |

|    |           |        |              |    |
|----|-----------|--------|--------------|----|
| 8  | STL140/8  | 30.478 | 40.00 (1.58) | 30 |
| 9  | STL140/9  | 30.479 | 45.00 (1.77) | 30 |
| 10 | STL140/10 | 30.480 | 50.00 (1.97) | 30 |
| 11 | STL140/11 | 30.481 | 55.00 (2.17) | 20 |
| 12 | STL140/12 | 30.482 | 60.00 (2.36) | 20 |
| 13 | STL140/13 | 30.483 | 65.00 (2.56) | 20 |
| 14 | STL140/14 | 30.484 | 70.00 (2.76) | 20 |

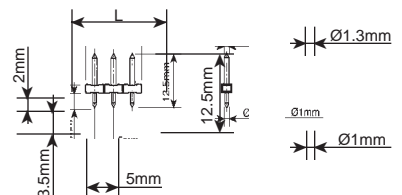
|    |           |        |               |    |
|----|-----------|--------|---------------|----|
| 15 | STL140/15 | 30.485 | 75.00 (2.95)  | 20 |
| 16 | STL140/16 | 30.486 | 80.00 (3.15)  | 20 |
| 24 | STL140/24 | 30.494 | 120.00 (4.72) | 20 |

| Dimensions |       |       |       |
|------------|-------|-------|-------|
| mm         | in.   | mm    | in.   |
| 1.00       | 0.039 | 5.50  | 0.217 |
| 1.30       | 0.051 | 6.00  | 0.236 |
| 2.00       | 0.079 | 11.80 | 0.465 |
| 2.80       | 0.110 | 12.50 | 0.492 |
| 3.50       | 0.138 | 15.00 | 0.591 |
| 5.00       | 0.197 |       |       |

<sup>b</sup>To insure proper pin positioning, install header into AK130 or AK132 Plug before soldering into board



<sup>c</sup> Pending, STL140, STL132



# STANDARD PLUGGABLE PRINTED CIRCUIT

## Metric Pin Spacing<sup>a</sup> Screw-Cage Clamp Plug

For standard industrial plug-in applications where multiple wire-to-board connections must be made quickly and simultaneously.



Reduce wiring mistakes, downtime and facilitate troubleshooting. Simply unplug defective board and plug in a new one.

Horizontal and Vertical Headers are available in open and closed end designs. Refer to pages 148 to 149.

- Multipole, Single Mold Construction
- Industry Standard Compatible
- Locking Tabs Prevent Unplugging
- Optional Keying Prevents Misplugging<sup>b</sup>
- Housing Material: Polyamide 6.6
- Standard Color: Green

<sup>a</sup>Blocks with US (Inch) pin spacing begin on page 110.

### Ratings

IEC/VDE  
 (File No. E101811)  
 (File No. LR68503)



## AK950

### Wire Entry in Same Direction as Plug-In

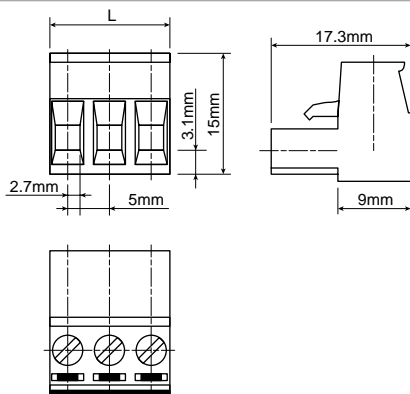
Pole Spacing 5mm (.197)  
 Stripping Length 7mm (.276)  
 Screw Hole Diameter 3.5mm (.138)

Use with STL950, STL955 Headers

| Wire Range             | Current | Voltage |
|------------------------|---------|---------|
| 0.5-2.5mm <sup>2</sup> | 12A     | 250V    |
| 22-12 AWG              | 15A     | 300V    |
| 28-14 AWG              | 15A     | 300V    |

| Ordering Information  | No. of Poles | Type     | Cat. No. | Length L mm (in.) | Std. Pk.     |
|-----------------------|--------------|----------|----------|-------------------|--------------|
| Plug, mm Pole Spacing | 2            | AK950/2  | 37.702   | 10.00 (.39)       | 100          |
|                       | 3            | AK950/3  | 37.703   | 15.00 (.59)       | 100          |
|                       | 4            | AK950/4  | 37.704   | 20.00 (.79)       | 50           |
|                       | 5            | AK950/5  | 37.705   | 25.00 (.98)       | 50           |
|                       | 6            | AK950/6  | 37.706   | 30.00 (1.18)      | 50           |
|                       | 7            | AK950/7  | 37.707   | 35.00 (1.38)      | 30           |
|                       |              | 8        | AK950/8  | 37.708            | 40.00 (1.58) |
|                       | 9            | AK950/9  | 37.709   | 45.00 (1.77)      | 30           |
|                       | 10           | AK950/10 | 37.710   | 50.00 (1.97)      | 30           |
|                       | 11           | AK950/11 | 37.711   | 55.00 (2.17)      | 20           |
|                       | 12           | AK950/12 | 37.712   | 60.00 (2.36)      | 20           |
|                       | 13           | AK950/13 | 37.713   | 65.00 (2.56)      | 20           |
|                       | 14           | AK950/14 | 37.714   | 70.00 (2.76)      | 20           |
|                       | 15           | AK950/15 | 37.715   | 75.00 (2.95)      | 20           |
|                       | 16           | AK950/16 | 37.716   | 80.00 (3.15)      | 15           |
|                       | 17           | AK950/17 | 37.717   | 85.00 (3.35)      | 15           |
|                       | 18           | AK950/18 | 37.718   | 90.00 (3.54)      | 15           |
|                       | 19           | AK950/19 | 37.719   | 95.00 (3.74)      | 15           |
|                       | 20           | AK950/20 | 37.720   | 100.00 (3.94)     | 15           |
|                       | 21           | AK950/21 | 37.721   | 105.00 (4.13)     | 10           |
|                       | 22           | AK950/22 | 37.722   | 110.00 (4.33)     | 10           |
|                       | 23           | AK950/23 | 37.723   | 115.00 (4.53)     | 10           |
|                       | 24           | AK950/24 | 37.724   | 120.00 (4.72)     | 10           |

| mm   |       | in.   |       |
|------|-------|-------|-------|
| 2.70 | 0.106 | 9.00  | 0.354 |
| 3.10 | 0.122 | 15.00 | 0.591 |
| 5.00 | 0.197 | 17.30 | 0.681 |



<sup>b</sup>For Keying, refer to Accessories on page 150.

## STANDARD PLUGGABLE PRINTED CIRCUIT Metric Pin Spacing<sup>a</sup> Screw-Cage Clamp Plug

For standard industrial plug-in applications where multiple wire-to-board connections must be made quickly and simultaneously.

Two wire entry options increase plug accessibility. The shape of the plug facilitates plug-in and removal.

Horizontal and Vertical Headers are available in open and closed end designs. Refer to pages 148 to 149.

- Multipole, Single Mold Construction
- Industry Standard Compatible
- Locking Tab Prevents Unplugging
- Optional Keying Prevents Misplugging<sup>b</sup>
- Housing Material: Polyamide 6.6
- Standard Color: Green<sup>c</sup>

<sup>a</sup>Blocks with US(inch) spacing begin on page 110.



| Ordering Information     |    | No. of Poles | Type    | Cat. No. | Length L<br>mm (in.) | Std. Pk. | Type    | Cat. No. | Length L<br>mm (in.) | Std. Pk. |
|--------------------------|----|--------------|---------|----------|----------------------|----------|---------|----------|----------------------|----------|
| Plug,<br>mm Pole Spacing | 2  | 2            | BU06/2  | 36.202   | 10.00 ( .39)         | 100      | BU08/2  | 36.252   | 10.00 ( .39)         | 100      |
|                          | 3  | 3            | BU06/3  | 36.203   | 15.00 ( .59)         | 100      | BU08/3  | 36.253   | 15.00 ( .59)         | 100      |
|                          | 4  | 4            | BU06/4  | 36.204   | 20.00 ( .79)         | 50       | BU08/4  | 36.254   | 20.00 ( .79)         | 50       |
|                          | 5  | 5            | BU06/5  | 36.205   | 25.00 ( .98)         | 50       | BU08/5  | 36.255   | 25.00 ( .98)         | 50       |
|                          | 6  | 6            | BU06/6  | 36.206   | 30.00 (1.18)         | 50       | BU08/6  | 36.256   | 30.00 (1.18)         | 50       |
|                          | 7  | 7            | BU06/7  | 36.207   | 35.00 (1.38)         | 30       | BU08/7  | 36.257   | 35.00 (1.38)         | 30       |
|                          | 8  | 8            | BU06/8  | 36.208   | 40.00 (1.58)         | 30       | BU08/8  | 36.258   | 40.00 (1.58)         | 30       |
|                          | 9  | 9            | BU06/9  | 36.209   | 45.00 (1.77)         | 30       | BU08/9  | 36.259   | 45.00 (1.77)         | 30       |
|                          | 10 | 10           | BU06/10 | 36.210   | 50.00 (1.97)         | 30       | BU08/10 | 36.260   | 50.00 (1.97)         | 30       |
|                          | 11 | 11           | BU06/11 | 36.211   | 55.00 (2.17)         | 20       | BU08/11 | 36.261   | 55.00 (2.17)         | 20       |
|                          | 12 | 12           | BU06/12 | 36.212   | 60.00 (2.36)         | 20       | BU08/12 | 36.262   | 60.00 (2.36)         | 20       |
|                          | 13 | 13           | BU06/13 | 36.213   | 65.00 (2.56)         | 20       | BU08/13 | 36.263   | 65.00 (2.56)         | 20       |
|                          | 14 | 14           | BU06/14 | 36.214   | 70.00 (2.76)         | 20       | BU08/14 | 36.264   | 70.00 (2.76)         | 20       |
|                          | 15 | 15           | BU06/15 | 36.215   | 75.00 (2.95)         | 20       | BU08/15 | 36.265   | 75.00 (2.95)         | 20       |
|                          | 16 | 16           | BU06/16 | 36.216   | 80.00 (3.15)         | 15       | BU08/16 | 36.266   | 80.00 (3.15)         | 15       |
|                          | 17 | 17           | BU06/17 | 36.217   | 85.00 (3.35)         | 15       | BU08/17 | 36.267   | 85.00 (3.35)         | 15       |
|                          | 18 | 18           | BU06/18 | 36.218   | 90.00 (3.54)         | 15       | BU08/18 | 36.268   | 90.00 (3.54)         | 15       |
|                          | 19 | 19           | BU06/19 | 36.219   | 95.00 (3.74)         | 15       | BU08/19 | 36.269   | 95.00 (3.74)         | 15       |
|                          | 20 | 20           | BU06/20 | 36.220   | 100.00 (3.94)        | 15       | BU08/20 | 36.270   | 100.00 (3.94)        | 15       |

| Dimensions |       |       |       |
|------------|-------|-------|-------|
| mm         | in.   | mm    | in.   |
| 5.00       | 0.197 | 12.50 | 0.492 |
| 8.30       | 0.327 | 26.50 | 1.043 |



### BU06<sup>e</sup>

Wire Entry Perpendicular to Plug-In  
(On Locking Tab Side)

Pole Spacing 5mm (.197)  
Stripping Length 8mm (.315)  
Screw Hole Diameter 3.5mm (.138)

Use with STL950, STL955 Headers

| Wire Range             | Current | Voltage |
|------------------------|---------|---------|
| 0.5-2.5mm <sup>2</sup> | 12A     | 250V    |
| 22-10 AWG              | 15A     | 300V    |
| 22-10 AWG              | 15A     | 300V    |



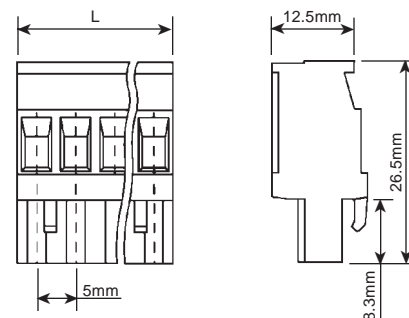
### BU08<sup>f</sup>

Wire Entry Perpendicular to Plug-In  
(On Scalloped Side)

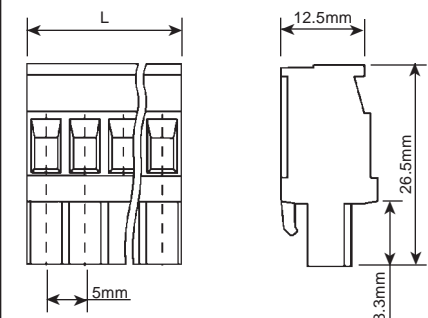
Pole Spacing 5mm (.197)  
Stripping Length 8mm (.315)  
Screw Hole Diameter 3.5mm (.138)

Use with STL950, STL955 Headers

| Wire Range             | Current | Voltage |
|------------------------|---------|---------|
| 0.5-2.5mm <sup>2</sup> | 12A     | 250V    |
| 22-10 AWG              | 15A     | 300V    |
| 22-10 AWG              | 15A     | 300V    |



<sup>e</sup>Available late 1995



<sup>f</sup>Available late 1995

<sup>b</sup>For Keying, please refer to Accessories, page 150.  
<sup>c</sup>Gray available, please consult Altech  
<sup>d</sup>Pending

# PLUGGABLE PRINTED CIRCUIT Metric Pin Spacing<sup>a</sup> Headers

Horizontal or vertical headers offer different wire entry options and enhance plug accessibility. Closed end headers prevent misplugging.

- Multipole, Single Mold Construction
- Industry Standard Compatible
- Horizontal and Vertical
- Open and Closed Ends
- Housing Material: Polyamide 6.6
- Standard Color: Green

<sup>a</sup>Blocks with US (Inch) pin spacing begin on page 110.



**STL950-W**  
Horizontal - Closed Ends

Pin Spacing 5mm (.197)

Use with AK950, BU06, BU08 Plugs



**STL950-O**  
Horizontal - Open Ends

Pin Spacing 5mm (.197)

Use with AK950, BU06, BU08 Plugs

**Ratings**

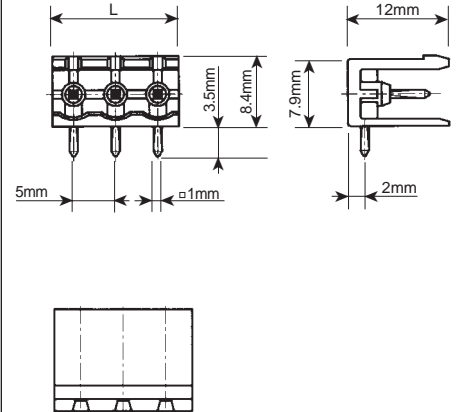
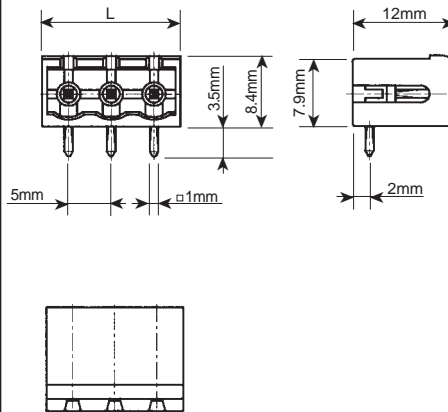
IEC/VDE  
UL (File No. E101811)  
CSA (File No. LR68503)

| Current | Voltage |
|---------|---------|
| 12A     | 250V    |
| 15A     | 300V    |
| 15A     | 300V    |

| Current | Voltage |
|---------|---------|
| 12A     | 250V    |
| 15A     | 300V    |
| 15A     | 300V    |

| Ordering Information   |  | No. of Poles | Type        | Cat. No. | Length L mm (in.) | Std. Pk. | Type        | Cat. No. | Length L mm (in.) | Std. Pk. |
|------------------------|--|--------------|-------------|----------|-------------------|----------|-------------|----------|-------------------|----------|
| Header, mm Pin Spacing |  | 2            | STL950/2-w  | 37.552   | 11.20 (.44)       | 100      | STL950/2-o  | 37.352   | 9.80 (.39)        | 100      |
|                        |  | 3            | STL950/3-w  | 37.553   | 16.20 (.64)       | 100      | STL950/3-o  | 37.353   | 14.80 (.58)       | 100      |
|                        |  | 4            | STL950/4-w  | 37.554   | 21.20 (.84)       | 50       | STL950/4-o  | 37.354   | 19.80 (.78)       | 50       |
|                        |  | 5            | STL950/5-w  | 37.555   | 26.20 (1.03)      | 50       | STL950/5-o  | 37.355   | 24.80 (.98)       | 50       |
|                        |  | 6            | STL950/6-w  | 37.556   | 31.20 (1.23)      | 50       | STL950/6-o  | 37.356   | 29.80 (1.17)      | 50       |
|                        |  | 7            | STL950/7-w  | 37.557   | 36.20 (1.43)      | 30       | STL950/7-o  | 37.357   | 34.80 (1.37)      | 30       |
|                        |  | 8            | STL950/8-w  | 37.558   | 41.20 (1.62)      | 30       | STL950/8-o  | 37.358   | 39.80 (1.57)      | 30       |
|                        |  | 9            | STL950/9-w  | 37.559   | 46.20 (1.82)      | 30       | STL950/9-o  | 37.359   | 44.80 (1.76)      | 30       |
|                        |  | 10           | STL950/10-w | 37.560   | 51.20 (2.02)      | 30       | STL950/10-o | 37.360   | 49.80 (1.96)      | 30       |
|                        |  | 11           | STL950/11-w | 37.561   | 56.20 (2.21)      | 20       | STL950/11-o | 37.361   | 54.80 (2.16)      | 20       |
|                        |  | 12           | STL950/12-w | 37.562   | 61.20 (2.41)      | 20       | STL950/12-o | 37.362   | 59.80 (2.35)      | 20       |
|                        |  | 13           | STL950/13-w | 37.563   | 66.20 (2.61)      | 20       | STL950/13-o | 37.363   | 64.80 (2.55)      | 20       |
|                        |  | 14           | STL950/14-w | 37.564   | 71.20 (2.80)      | 20       | STL950/14-o | 37.364   | 69.80 (2.75)      | 20       |
|                        |  | 15           | STL950/15-w | 37.565   | 76.20 (3.00)      | 20       | STL950/15-o | 37.365   | 74.80 (2.95)      | 20       |
|                        |  | 16           | STL950/16-w | 37.566   | 81.20 (3.20)      | 15       | STL950/16-o | 37.366   | 79.80 (3.14)      | 15       |
|                        |  | 17           | STL950/17-w | 37.567   | 86.20 (3.39)      | 15       | STL950/17-o | 37.367   | 84.80 (3.34)      | 15       |
|                        |  | 18           | STL950/18-w | 37.568   | 91.20 (3.59)      | 15       | STL950/18-o | 37.368   | 89.80 (3.54)      | 15       |
|                        |  | 19           | STL950/19-w | 37.569   | 96.20 (3.79)      | 15       | STL950/19-o | 37.369   | 94.80 (3.73)      | 15       |
|                        |  | 20           | STL950/20-w | 37.570   | 101.20 (3.98)     | 15       | STL950/20-o | 37.370   | 99.80 (3.93)      | 15       |
|                        |  | 21           | STL950/21-w | 37.571   | 106.20 (4.18)     | 10       | STL950/21-o | 37.371   | 104.80 (4.13)     | 10       |
|                        |  | 22           | STL950/22-w | 37.572   | 111.20 (4.38)     | 10       | STL950/22-o | 37.372   | 109.80 (4.32)     | 10       |
|                        |  | 23           | STL950/23-w | 37.573   | 116.20 (4.57)     | 10       | STL950/23-o | 37.373   | 114.80 (4.52)     | 10       |
|                        |  | 24           | STL950/24-w | 37.574   | 121.20 (4.77)     | 10       | STL950/24-o | 37.374   | 119.80 (4.72)     | 10       |

| Dimensions |       |       |       |
|------------|-------|-------|-------|
| mm         | in.   | mm    | in.   |
| 1.00       | 0.390 | 5.00  | 0.197 |
| 2.00       | 0.079 | 7.90  | 0.311 |
| 3.50       | 0.138 | 8.40  | 0.331 |
| 3.80       | 0.150 | 12.00 | 0.472 |
| 3.90       | 0.154 |       |       |





**STL955-W**  
Vertical - Closed Ends

Pin Spacing 5mm (.197)

Use with AK950, BU06, BU08 Plugs



**STL955-O**  
Vertical - Open Ends

Pin Spacing 5mm (.197)

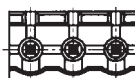
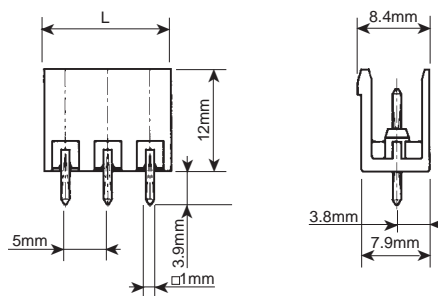
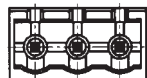
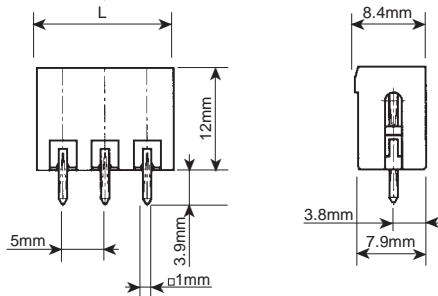
Use with AK950, BU06, BU08 Plugs

| Current | Voltage |
|---------|---------|
| 12A     | 250V    |
| 15A     | 300V    |
| 15A     | 300V    |

| Current | Voltage |
|---------|---------|
| 12A     | 250V    |
| 15A     | 300V    |
| 15A     | 300V    |

| Type        | Cat. No. | Length L<br>mm (in.) | Std. Pk. |
|-------------|----------|----------------------|----------|
| STL955/2-w  | 37.602   | 11.20 (.44)          | 100      |
| STL955/3-w  | 37.603   | 16.20 (.64)          | 100      |
| STL955/4-w  | 37.604   | 21.20 (.84)          | 50       |
| STL955/5-w  | 37.605   | 26.20 (1.03)         | 50       |
| STL955/6-w  | 37.606   | 31.20 (1.23)         | 50       |
| STL955/7-w  | 37.607   | 36.20 (1.43)         | 30       |
| STL955/8-w  | 37.608   | 41.20 (1.62)         | 30       |
| STL955/9-w  | 37.609   | 46.20 (1.82)         | 30       |
| STL955/10-w | 37.610   | 51.20 (2.02)         | 30       |
| STL955/11-w | 37.611   | 56.20 (2.21)         | 20       |
| STL955/12-w | 37.612   | 61.20 (2.41)         | 20       |
| STL955/13-w | 37.613   | 66.20 (2.61)         | 20       |
| STL955/14-w | 37.614   | 71.20 (2.80)         | 20       |
| STL955/15-w | 37.615   | 76.20 (3.00)         | 20       |
| STL955/16-w | 37.616   | 81.20 (3.20)         | 15       |
| STL955/17-w | 37.617   | 86.20 (3.39)         | 15       |
| STL955/18-w | 37.618   | 91.20 (3.59)         | 15       |
| STL955/19-w | 37.619   | 96.20 (3.79)         | 15       |
| STL955/20-w | 37.620   | 101.20 (3.98)        | 15       |
| STL955/21-w | 37.621   | 106.20 (4.18)        | 10       |
| STL955/22-w | 37.622   | 111.20 (4.38)        | 10       |
| STL955/23-w | 37.623   | 116.20 (4.57)        | 10       |
| STL955/24-w | 37.624   | 121.20 (4.77)        | 10       |

| Type        | Cat. No. | Length L<br>mm (in.) | Std. Pk. |
|-------------|----------|----------------------|----------|
| STL955/2-o  | 37.402   | 9.80 (.39)           | 100      |
| STL955/3-o  | 37.403   | 14.80 (.58)          | 100      |
| STL955/4-o  | 37.404   | 19.80 (.78)          | 50       |
| STL955/5-o  | 37.405   | 24.80 (.98)          | 50       |
| STL955/6-o  | 37.406   | 29.80 (1.17)         | 50       |
| STL955/7-o  | 37.407   | 34.80 (1.37)         | 30       |
| STL955/8-o  | 37.408   | 39.80 (1.57)         | 30       |
| STL955/9-o  | 37.409   | 44.80 (1.76)         | 30       |
| STL955/10-o | 37.410   | 49.80 (1.96)         | 30       |
| STL955/11-o | 37.411   | 54.80 (2.16)         | 20       |
| STL955/12-o | 37.412   | 59.80 (2.35)         | 20       |
| STL955/13-o | 37.413   | 64.80 (2.55)         | 20       |
| STL955/14-o | 37.414   | 69.80 (2.75)         | 20       |
| STL955/15-o | 37.415   | 74.80 (2.95)         | 20       |
| STL955/16-o | 37.416   | 79.80 (3.14)         | 15       |
| STL955/17-o | 37.417   | 84.80 (3.34)         | 15       |
| STL955/18-o | 37.418   | 89.80 (3.54)         | 15       |
| STL955/19-o | 37.419   | 94.80 (3.73)         | 15       |
| STL955/20-o | 37.420   | 99.80 (3.93)         | 15       |
| STL955/21-o | 37.421   | 104.80 (4.13)        | 10       |
| STL955/22-o | 37.422   | 109.80 (4.32)        | 10       |
| STL955/23-o | 37.423   | 114.80 (4.52)        | 10       |
| STL955/24-o | 37.424   | 119.80 (4.72)        | 10       |





## PRINTED CIRCUIT ACCESSORIES

Convenient options that facilitate wire termination and increase wiring efficiency.

### KEYING INSERTS

Use KI Keying Inserts to prevent misplugging of screw-cage clamp plugs in adjoining headers without loss of position. Incorrect plug installation can cause serious electrical damage to sensitive electronic circuits.

Type KI-AK Keying Insert is a precision molded profile that installs into parallel slots provided on the plug housing. Type KI-STL is a similar insert that installs into slots molded into the header housing.

When two of these inserts are located in corresponding slots on both the plug and header, the pair cannot be joined because the inserts interfere with one another. If the inserts are installed into separate slots on the plug and header, the pair will engage as usual.

Keying Inserts install quickly and easily and are held securely in place by a friction fit. You devise the pattern and select the quantity of inserts required for your application.

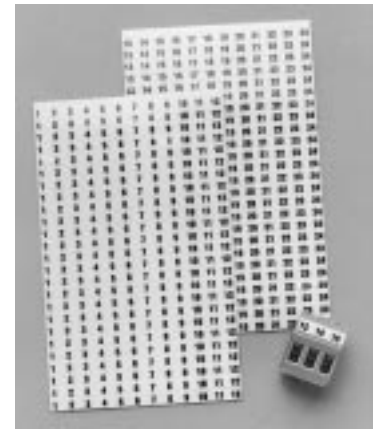
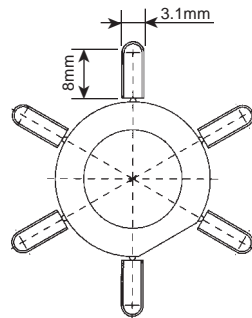
Packaged for convenient handling KI-AK and KI-STL Inserts are supplied on wheels of 6 inserts.

Factory keyed plugs and headers are available, please consult Altech with your keying requirements. Color: Red. Molding Material: Polyamide 6.6.



### KI KEYING INSERTS

| Type  | Cat. No. | Std. Pk. Wheels/ Inserts | Use With Types   |
|-------|----------|--------------------------|--|
| KI-AK | 37.903   | 50/300                   | AK950<br>AKZ950<br>AKZ1200<br>BU06<br>BU08<br>BU02<br>BU04 |



### KSO MARKING LABELS

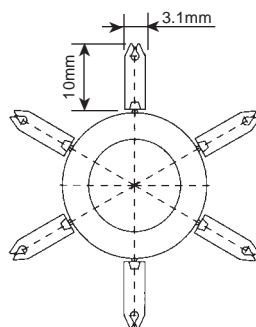
| Character Imprint | Type    | Cat. No. | Std. Pk. Cards/ Strips |
|-------------------|---------|----------|------------------------|
| 1 - 12            | KSO112  | 30.096   | 5/125                  |
| 13 - 24           | KSO1324 | 30.097   | 5/125                  |
| 12 - 1            | KSO121  | 30.098   | 5/125                  |
| Blank             | KSO00   | 30.099   | 5/125                  |

### MARKING LABELS

Use KSO preprinted pressure sensitive labels for printed circuit board applications where changing requirements make it impractical to order and inventory hot stamp imprinted terminal blocks. Preprinted labels are quick and easy to apply to all Fixed and Pluggable Printed Circuit Terminal Blocks. Simply cut to required length and peel strip from card. Apply the strip to the terminal block by exerting finger pressure.

Marking cards contain 25 strips and are available in several standard number combinations. Select from consecutive ascending numbers 1 - 12, 13 - 24; consecutive descending numbers 12 - 1; and blank for hand marking. Custom Marking Labels with special character imprints are also available upon request. Imprint is black on white labels. Material: White PVC.

|        |        |        |   |
|--------|--------|--------|---|
| KI-STL | 37.904 | 50/300 | STL950<br>STL955<br>STLZ950<br>STLZ955<br>STLZ990 |
|--------|--------|--------|---|



## PRINTED CIRCUIT ACCESSORIES

### HOT STAMP IMPRINTING

For high volume requirements or when it is impractical to apply PSA Marking Labels, use Hot Stamp Imprinting to provide positive circuit identification for Fixed and Pluggable Printed Circuit Terminal Blocks. Properly identified circuits increase wiring efficiency, save installation time and make wire hook-up, system modifications and trouble shooting quick and easy.

Hot Stamp Imprinting provides a permanent marking which will not rub, wear or wash off even when solvents are present.

Standard or custom imprint sequences are available for 2 to 24 pole positions. Imprints are centered above the wire entry.

#### Standard Imprint

- Character Style - DAVID
- Character Size: 8 Pt., 2.4mm (3/32 in.) high
- Standard Imprint Color: Black on Green Housing; White on Gray Housing
- Optional Imprint Color: White on Green Housing

#### Imprint Ordering

Standard Imprints can be specified and ordered by adding the required suffix after the Cat. No. and Type designation. Simply select the appropriate Ordering Suffix for the required Imprint Sequence.

Hot Stamp Imprints up to 12 poles are standard for US (inch) and metric (mm) spacings. For pricing purposes, they are considered to be one assembly.

Imprints with 13-24 poles are considered to be (2) assemblies. For pricing purposes, they are considered to be two assemblies.

Consult Altech for Hot Stamp Imprinting pricing, minimum order quantities and applicable lot charges.

#### Custom Imprints

Special number sequences and character combinations including letters, symbols and numbers are available. To order special sequences or combinations send us your imprint schedule. For die charges and minimum order quantities for your custom imprints, please consult Altech.



### STANDARD IMPRINT

| Ordering Suffix | Imprint Sequence     | Imprint Description                                | Illustration |
|-----------------|----------------------|--|--------------|
| i A             | (1, 2, 3, 4, ...)    | Consecutive, Ascending, Left to Right              |              |
| i B             | (... 4, 3, 2, 1)     | Consecutive, Descending Left to Right              |              |
| i C             | (... '4, '3, '2, '1) | Upside Down, Consecutive Descending, Left to Right |              |
| i D             | (... 4, 3, 2, 1)     | Upside Down, Consecutive Ascending, Left to Right  |              |

#### Standard Imprint Example:

13 pole, Type AKZ350 Printed Circuit Terminal Block to be imprinted upside down with descending, consecutive numbers reading left to right should be ordered as below:

| Type        | Cat. No. |
|-------------|----------|
| AKZ350/13iC | 32.063iC |



## X-ON Electronics

Largest Supplier of Electrical and Electronic Components

*Click to view similar products for [Fixed Terminal Blocks](#) category:*

*Click to view products by [Altech](#) manufacturer:*

Other Similar products are found below :

[00175550202](#) [MBE-1512](#) [MBE-1520](#) [MBE-154](#) [MBE-156](#) [MBES-1510](#) [MBES-153](#) [MBES-156](#) [MH-2512](#) [MHE-132](#) [MHE-133](#) [MHE-163](#)  
[MI-254 \(35\)](#) [MI-272](#) [8739](#) [880507](#) [880508](#) [MPT-275](#) [1546551-6](#) [ELM023100](#) [ELM10110G](#) [ELVD12100](#) [BA311TU](#) [BA411SU](#) [MV-152](#)  
[MV-253/NCNOC](#) [MV-254-D](#) [MV-255](#) [MV-462](#) [MV-472](#) [MV-493](#) [MVE-252](#) [MVE-253](#) [MVE-258](#) [MVE-273](#) [MVEB-153](#) [1700096](#)  
[1702246](#) [1705142](#) [1712417](#) [1713020](#) [1713088](#) [1776118-2](#) [1790852](#) [1-796689-8](#) [1-796692-6](#) [1800001](#) [1800114](#) [1823215](#) [1838462](#)