



ALUMINUM ONE PHASE POWER DISTRIBUTION BLOCKS

- For use with copper and aluminum cable (solid and stranded)
- Quick mounting and wiring
- IP20 Finger Safe
- DIN Rail or Panel Mount
- Blocks fit with other DIN Rail mountable modular devices (height 95mm, depth 44.5mm)
- Accessories increase the number of outputs with only one input (applies **only** to 38641 and 38632)
- No caps to open or remove
- Material
 Housing: Polyamide
 Metal Body: Aluminum (tin plated)

38641

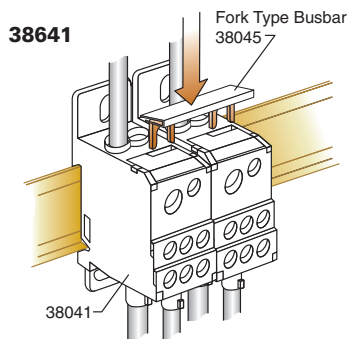
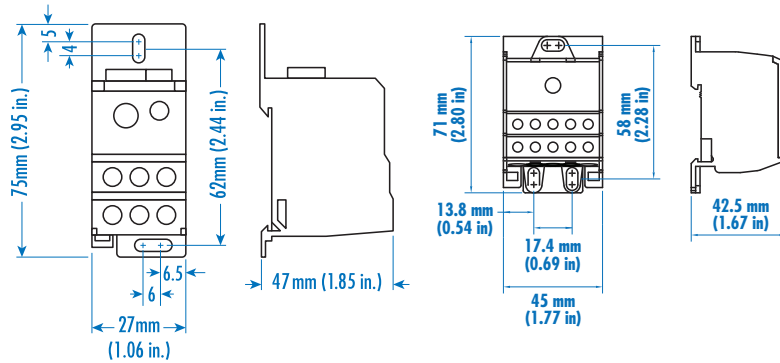


38676



Part Number:	38641		38676	
Approvals	UL File E98082		UL File E98082	
Current Rating (CU)	115A	125A	115A	125A
Current Rating (AL)	90A	100A	90A	100A
Voltage Rating	600V AC/DC	1000V AC 1500V DC	600V AC/DC	1000V AC 1500V DC
No. of Inputs	1	1	1	1
Wire Range	8-2 AWG	10-35mm ²	8-2 AWG	10-35mm ²
Torque	31lb.-in.	3.5Nm	31lb.-in.	3.5Nm
Screw Type	Hex 4		Hex 4	
No. of Outputs	7	7	10	10
Wire Range	14-4 AWG	2.5-25mm ²	14-4 AWG	2.5-25mm ²
Torque	18lb.-in.	2Nm	18lb.-in.	2Nm
Screw Type	Hex 2.5		Hex 3	

Dimensions:



Accessories: Fork Type Busbar
 Part No: **38045** to jump 2 Blocks
38046 to jump 8 Blocks
 (can be cut)



38632



38674

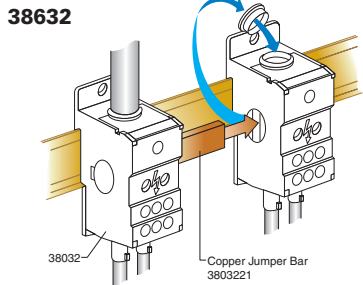
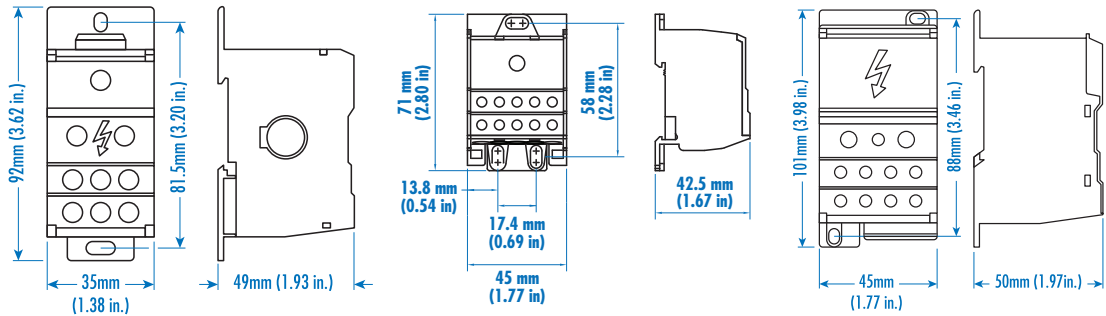


38620



Part Number:	38632		38674		38620	
Approvals	 UL File E98082				 UL File E98082	
Current Rating (CU)	175A	175A	175A	175A	255A	250A
(AL)	135A	135A	135A	135A	NA	200A
Voltage Rating	600V AC/DC		600V AC/DC		600V AC/DC	1000V AC
		1000V AC		1000V AC		1500V DC
		1500V DC		1500V DC		
No. of Inputs	1	1	1	1	1	1
Wire Range	8-2/0 AWG	10-70mm ²	8-2/0 AWG	16-70mm ²	2-250kcmil	35-120mm ²
Torque	35.5lb.-in.	4Nm	35.5lb.-in.	4Nm	280lb.-in.	31Nm
Screw Type	Hex 5	Hex 5	Hex 5	Hex 5	Hex 6	Hex 6
No. of Outputs	6	6	10	10	11	11
Wire Range	14-4 AWG	2.5-25mm ²	14-4 AWG	2.5-16mm ²	(2x) 14-2AWG	(2x) 2.5-35mm ²
Torque	18lb.-in.	2Nm	18lb.-in.	2Nm	31lb.-in.	3.5Nm
Wire Range	-	-	-	-	(5x) 14-6AWG	(5x) 2.5-16mm ²
Torque	-	-	-	-	18lb.-in.	2Nm
Wire Range	-	-	-	-	(4x) 14-8AWG	(4x) 2.5-10mm ²
Torque	-	-	-	-	18lb.-in.	2Nm
Screw Type	Hex 2.5	Hex 2.5	Hex 3	Hex 3	Hex 3	Hex 3

Dimensions:



Accessories: Copper Jumper Bar (6x15 mm)
 Part No: **3803221** for 2 Blocks
3803231 for 3 Blocks
3803241 for 4 Blocks (can be cut)

UL1059

X-ON Electronics

Largest Supplier of Electrical and Electronic Components

Click to view similar products for [Circuit Breaker Accessories](#) category:

Click to view products by [Altech](#) manufacturer:

Other Similar products are found below :

[CSC-403PS](#) [8T1-D-11A](#) [B151-7184-L](#) [NEB10](#) [8C1-C-721](#) [8T1-E-115](#) [8T1-E-275](#) [8T1-E-278](#) [506-11315-001](#) [3803221](#) [X10506BF](#) [NES 9-](#)
[1393249-0](#) [802-ESB50UL489](#) [XFPB-4](#) [30.329](#) [X22261102](#) [CX2.5/4/O](#) [Y30019003](#) [PS-1006](#) [618.6335.069](#) [BAC03](#) [JX2.5/4](#) [JX2.5/6](#)
[JX2.5/5](#) [HSP6/10U](#) [DMRBU BLACK BOX](#) [DB16/BU](#) [CM2.5S2](#) [932146100](#) [930120000](#) [601.1231.909](#) [3PRG1](#) [3PLBR4LU](#) [351.5900.149](#)
[311.2850.340](#) [2624.0](#) [17BSSV](#) [1-1423696-8](#) [LS3-WH](#) [BAC12](#) [Y30028402](#) [30.617](#) [8T1-E-114](#) [SF06-5,08](#) [2LP199](#) [ZG20-2](#) [3PSML401](#)
[3PSML402](#) [2LP219](#)