



ALUMINUM NEW ONE PHASE POWER DISTRIBUTION BLOCKS

- For use with copper and aluminum cable (solid and stranded)
- Quick mounting and wiring
- IP20 Finger Safe
- DIN Rail or Panel Mount
- Blocks fit with other DIN Rail mountable modular devices (height 95mm, depth 44.5mm)
- Accessories increase the number of outputs with only one input (applies **only** to 38641 and 38632)
- No caps to open or remove
- Material
Housing: Polyamide
Metal Body: Aluminum (tin plated)

38641

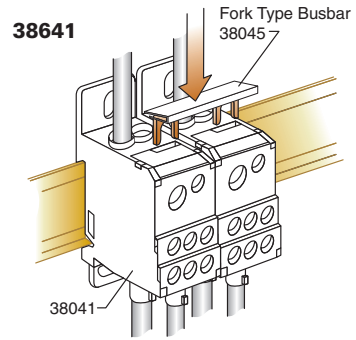
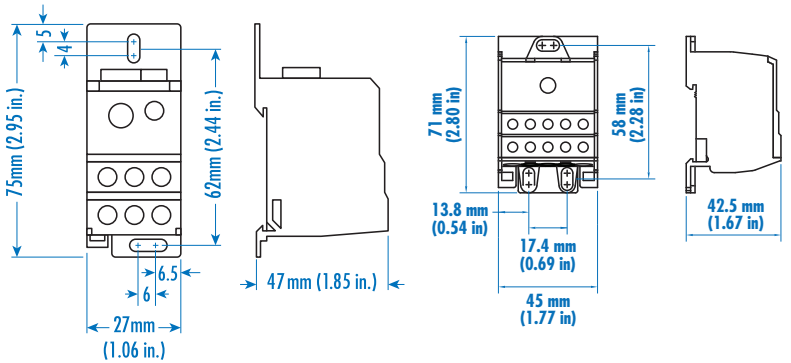


38676



Part Number:	38641		38676	
Approvals	UL File E98082		UL File E98082	
Current Rating (CU)	115A	125A	115A	125A
Current Rating (AL)	90A	100A	90A	100A
Voltage Rating	600V AC/DC	1000V AC 1500V DC	600V AC/DC	1000V AC 1500V DC
No. of Inputs	1	1	1	1
Wire Range	8-2 AWG	10-35mm ²	8-2 AWG	10-35mm ²
Torque	31lb.-in.	3.5Nm	31lb.-in.	3.5Nm
Screw Type	Hex 4		Hex 4	
No. of Outputs	7	7	10	10
Wire Range	14-4 AWG	2.5-25mm ²	14-4 AWG	2.5-25mm ²
Torque	18lb.-in.	2Nm	18lb.-in.	2Nm
Screw Type	Hex 2.5		Hex 3	

Dimensions:



Accessories: Fork Type Busbar
 Part No: **38045** to jump 2 Blocks
38046 to jump 8 Blocks (can be cut)



38632



38674

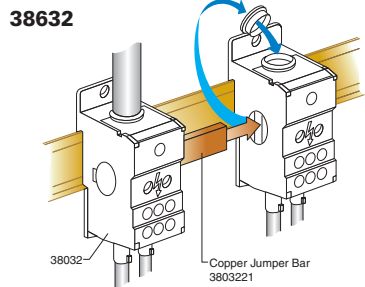
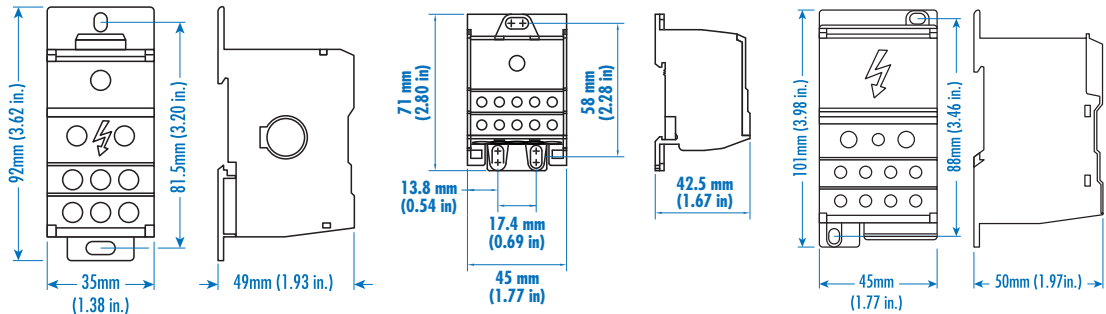


38620



Part Number:	38632		38674		38620	
Approvals	 UL File E98082				 UL File E98082	
Current Rating (CU)	175A	175A	175A	175A	255A	250A
(AL)	135A	135A	135A	135A	NA	200A
Voltage Rating	600V AC/DC		600V AC/DC		600V AC/DC	1000V AC
		1000V AC		1000V AC		1500V DC
		1500V DC		1500V DC		
No. of Inputs	1	1	1	1	1	1
Wire Range	8-2/0 AWG	10-70mm ²	8-2/0 AWG	16-70mm ²	2-250kcmil	35-120mm ²
Torque	35.5lb.-in.	4Nm	35.5lb.-in.	4Nm	280lb.-in.	31Nm
Screw Type	Hex 5	Hex 5	Hex 5	Hex 5	Hex 6	Hex 6
No. of Outputs	6	6	10	10	11	11
Wire Range	14-4 AWG	2.5-25mm ²	14-4 AWG	2.5-16mm ²	(2x) 14-2AWG	(2x) 2.5-35mm ²
Torque	18lb.-in.	2Nm	18lb.-in.	2Nm	31lb.-in.	3.5Nm
Wire Range	-	-	-	-	(5x) 14-6AWG	(5x) 2.5-16mm ²
Torque	-	-	-	-	18lb.-in.	2Nm
Wire Range	-	-	-	-	(4x) 14-8AWG	(4x) 2.5-10mm ²
Torque	-	-	-	-	18lb.-in.	2Nm
Screw Type	Hex 2.5	Hex 2.5	Hex 3	Hex 3	Hex 3	Hex 3

Dimensions:



Accessories: Copper Jumper Bar (6x15 mm)
 Part No: **3803221** for 2 Blocks
3803231 for 3 Blocks
3803241 for 4 Blocks (can be cut)

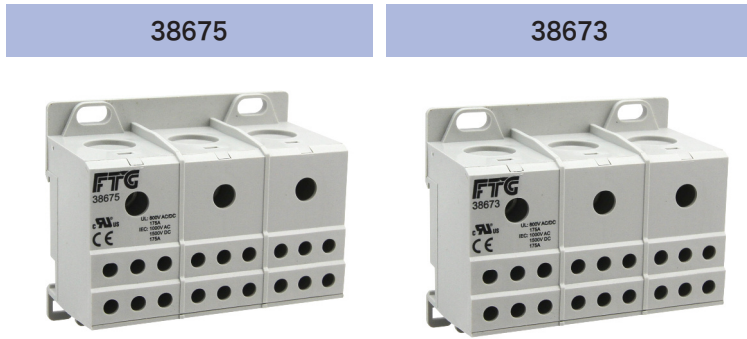
UL1059



ALUMINUM NEW THREE PHASE POWER DISTRIBUTION BLOCKS

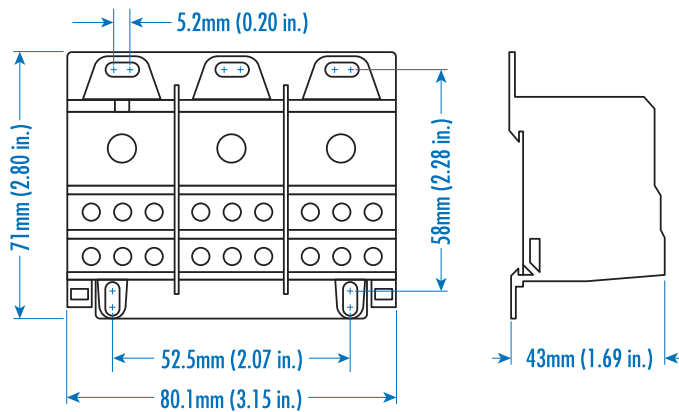
- For use with copper and aluminum cable (solid and stranded)
- Quick mounting and wiring
- IP20 Finger Safe
- DIN Rail or Panel Mount
- Blocks fit with other DIN Rail mountable modular devices
- Same compact size for both ratings
- No caps to open or remove
- Material

Housing: Polyamide
Metal Body: Aluminum
(tin plated)



Part Number:	38675		38673	
Approvals	 UL File E98082		 UL File E98082	
Current Rating (CU) (AL)	115A 90A	125A 100A	175A 135A	175A 135A
Voltage Rating	600V AC/DC		600V AC/DC	
		1000V AC 1500V DC		1000V AC 1500V DC
No. of Inputs	3x1		3x1	
Wire Range	8-2 AWG		8-2/0AWG	
Torque	31lb.-in.		35.5lb.-in.	
Screw Type	Hex 4		Hex 5	
No. of Outputs	3x6		3x6	
Wire Range	14-4AWG		14-4AWG	
Torque	18lb.-in.		18lb.-in.	
Screw Type	Hex 3		Hex 3	

Dimensions:



X-ON Electronics

Largest Supplier of Electrical and Electronic Components

Click to view similar products for [Terminal Block Tools & Accessories](#) category:

Click to view products by [Altech](#) manufacturer:

Other Similar products are found below :

[00171430102](#) [00171420102](#) [600HL](#) [600RJ-07](#) [600RJ-11](#) [600RJ-14](#) [600RJS-10](#) [600RJS-12](#) [600RJS-21](#) [601RJ-09](#) [602SP](#) [602Z](#) [604J](#)
[CSTSPC1-2](#) [7B941-7](#) [88943-2100](#) [QC102](#) [1437403-6](#) [1437403-9](#) [1437403-8](#) [1453128-1](#) [147832-1](#) [EC0037-000](#) [MT2/H--](#) [MT6/H-N](#)
[MT6/V-GRND](#) [MT8/H-51-60](#) [BC2-12](#) [BCC-1-8/10](#) [EP2.5/4UN/BG](#) [1707755](#) [1735590](#) [1755480](#) [1789281](#) [1840227](#) [1840230](#) [2-1437402-1](#)
[JA2-03](#) [JB1-03/J](#) [JB2-04](#) [JB2-05](#) [JB2-07](#) [JB2-09/J](#) [PARALLELJUMPERLINK](#) [JS601](#) [2204082](#) [2302463](#) [2305949](#) [8TK2-24](#) [8WA1853](#)