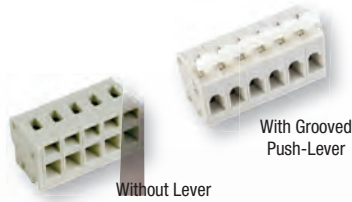


PCB Tension Spring Terminal

5.00 mm Pin Spacing

- Tension Spring Technology
- Modular
- Various Colors
- Standard Color: Gray



AK3100/xx-5.0

WITHOUT LEVER

AK3101/xxKD-5.0

WITH GROOVED PUSH-LEVER

Electrical Ratings

		UL E178356		IEC	VDE
Usergroup		B	C	D	-
		300V	-	300V	250V
Rated Current		16A	-	10A	24A
Wire Size	<i>solid</i>	28-14AWG	-	28-14AWG	0.5mm ² -2.5mm ²
	<i>stranded</i>	28-14AWG	-	28-14AWG	0.5mm ² -2.5mm ²

Ordering Information

Without Lever

With Grooved Lever

No. Poles	Length (mm)	Std. Pack	Order #	Type #	Order #	Type #
1	7.20	100	38.2501	AK3100/1-5.0	38.2601	AK3101/1KD-5.0
2	12.20	100	38.2502	AK3100/2-5.0	38.2602	AK3101/2KD-5.0
3	17.20	100	38.2503	AK3100/3-5.0	38.2603	AK3101/3KD-5.0
4	22.20	50	38.2504	AK3100/4-5.0	38.2604	AK3101/4KD-5.0
5	27.20	50	38.2505	AK3100/5-5.0	38.2605	AK3101/5KD-5.0
6	32.20	50	38.2506	AK3100/6-5.0	38.2606	AK3101/6KD-5.0
7	37.20	50	38.2507	AK3100/7-5.0	38.2607	AK3101/7KD-5.0
8	42.20	50	38.2508	AK3100/8-5.0	38.2608	AK3101/8KD-5.0
9	47.20	50	38.2509	AK3100/9-5.0	38.2609	AK3101/9KD-5.0
10	52.20	50	38.2510	AK3100/10-5.0	38.2610	AK3101/10KD-5.0
11	57.20	50	38.2511	AK3100/11-5.0	38.2611	AK3101/11KD-5.0
12	62.20	50	38.2512	AK3100/12-5.0	38.2612	AK3101/12KD-5.0
13	67.20	20	38.2513	AK3100/13-5.0	38.2613	AK3101/13KD-5.0
14	72.20	20	38.2514	AK3100/14-5.0	38.2614	AK3101/14KD-5.0
15	77.20	20	38.2515	AK3100/15-5.0	38.2615	AK3101/15KD-5.0
16	82.20	20	38.2516	AK3100/16-5.0	38.2616	AK3101/16KD-5.0
17	87.20	20	38.2517	AK3100/18-5.0	38.2617	AK3101/17KD-5.0
18	92.20	20	38.2518	AK3100/18-5.0	38.2618	AK3101/18KD-5.0
19	97.20	20	38.2519	AK3100/19-5.0	38.2619	AK3101/19KD-5.0
20	102.20	10	38.2520	AK3100/20-5.0	38.2620	AK3101/20KD-5.0
21	107.20	10	38.2521	AK3100/21-5.0	38.2621	AK3101/21KD-5.0
22	112.20	10	38.2522	AK3100/22-5.0	38.2622	AK3101/22KD-5.0
23	117.20	10	38.2523	AK3100/23-5.0	38.2623	AK3101/23KD-5.0
24	122.20	10	38.2524	AK3100/24-5.0	38.2624	AK3101/24KD-5.0

Material Specifications

Tension Spring	Stainless Steel
Solder Tab	Copper Alloy
Insulating Material	PA 6.6
Flammability Class	UL94V-0
Operating Temperature	-30°C - +105°C

Wave Solder Process

Soldering Temperature	265°C
Peak Soldering Time	3-10s

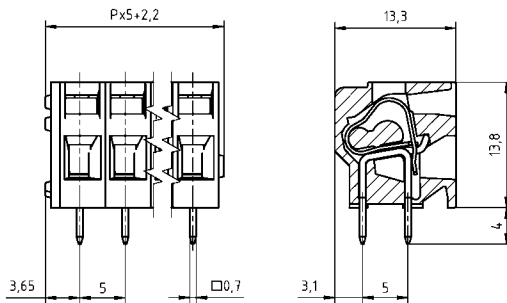
Installation Data

Stripping Length	6mm
PCB Hole Size	1.1mm

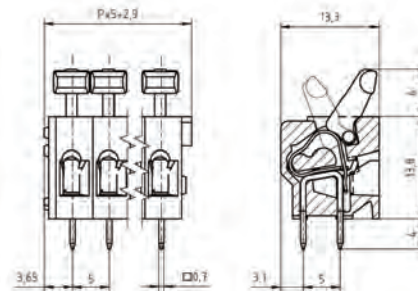
Other Colors Available

- GREEN, RAL 6018
- ORANGE, RAL 2011
- BLUE, RAL 5015

Dimensions (mm) - without lever



Dimensions (mm) - with grooved push-lever



PUSH-IN

PCB POWER TERMINALS
PUSH-IN

TENSION SPRING

PLUGGABLE
PUSH-IN

PCB Tension Spring Terminal

5.00 mm Pin Spacing

- Tension Spring Technology
- Modular
- Various Colors
- Standard Color: Gray



With Angled Push-Lever

AK3101/xxWD-5.0

WITH ANGLED PUSH-LEVER

Electrical Ratings

Usergroup	B	C	D	IEC	VDE
		300V	—	300V	—
Rated Current	16A	—	10A	250V	24A
Wire Size	<i>solid</i>	28-14AWG	—	28-14AWG	0.5mm ² -2.5mm ²
	<i>stranded</i>	28-14AWG	—	28-14AWG	0.5mm ² -2.5mm ²



Ordering Information

With Angled Lever

No. Poles	Length (mm)	Std. Pack	Order #	Type #
1	7.20	100	38.2701	AK3101/1WD-5.0
2	12.20	100	38.2702	AK3101/2WD-5.0
3	17.20	100	38.2703	AK3101/3KD-5.0
4	22.20	50	38.2704	AK3101/4KD-5.0
5	27.20	50	38.2705	AK3101/5KD-5.0
6	32.20	50	38.2706	AK3101/6KD-5.0
7	37.20	50	38.2707	AK3101/7KD-5.0
8	42.20	50	38.2708	AK3101/8KD-5.0
9	47.20	50	38.2709	AK3101/9KD-5.0
10	52.20	50	38.2710	AK3101/10KD-5.0
11	57.20	50	38.2711	AK3101/11KD-5.0
12	62.20	50	38.2712	AK3101/12KD-5.0
13	67.20	20	38.2713	AK3101/13KD-5.0
14	72.20	20	38.2714	AK3101/14KD-5.0
15	77.20	20	38.2715	AK3101/15KD-5.0
16	82.20	20	38.2716	AK3101/16KD-5.0
17	87.20	20	38.2717	AK3101/17KD-5.0
18	92.20	20	38.2718	AK3101/18KD-5.0
19	97.20	20	38.2719	AK3101/19KD-5.0
20	102.20	10	38.2720	AK3101/20KD-5.0
21	107.20	10	38.2721	AK3101/21KD-5.0
22	112.20	10	38.2722	AK3101/22KD-5.0
23	117.20	10	38.2723	AK3101/23KD-5.0
24	122.20	10	38.2724	AK3101/24KD-5.0

Material Specifications

Tension Spring	Stainless Steel
Solder Tab	Copper Alloy
Insulating Material	PA 6.6
Flammability Class	UL94V-0
Operating Temperature	-30°C - +105°C

Wave Solder Process

Soldering Temperature	265°C
Peak Soldering Time	3-10s

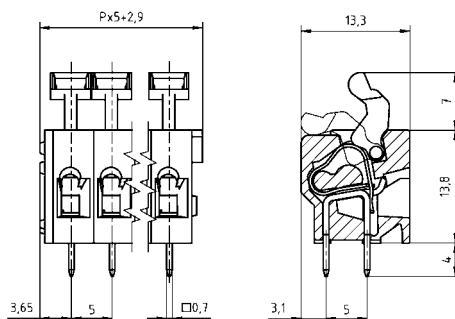
Installation Data

Stripping Length	6mm
PCB Hole Size	1.1mm

Other Colors Available

- GREEN, RAL 6018
- ORANGE, RAL 2011
- BLUE, RAL 5015

Dimensions (mm) - with flat push-lever



X-ON Electronics

Largest Supplier of Electrical and Electronic Components

Click to view similar products for [Fixed Terminal Blocks](#) category:

Click to view products by [Altech](#) manufacturer:

Other Similar products are found below :

[MBE-1512](#) [MBE-1520](#) [MBE-154](#) [MBE-156](#) [MBES-156](#) [MH-2512](#) [MHE-132](#) [MHE-163](#) [MI-254 \(35\)](#) [MI-272](#) [MPT-275](#) [ELM10110G](#)
[BA311TU](#) [BA411SU](#) [MV-253/NCNOC](#) [MV-254-D](#) [MV-255](#) [MV-493](#) [MVE-252](#) [MVE-253](#) [MVE-273](#) [MVEB-153](#) [1700096](#) [1705142](#)
[1712417](#) [1713088](#) [1745195](#) [1760594](#) [1-796689-8](#) [1-796692-6](#) [1800114](#) [20020314-C121B01LF](#) [20020316-G041B01LF](#) [KP03215000J0G](#)
[KP04215000J0G](#) [S451](#) [29.007](#) [29.116](#) [30.103](#) [30.106](#) [30.503](#) [30.608](#) [30.755](#) [30.853](#) [9872-0-00-15-00-00-33-0](#) [996750](#) [1706303](#) [1710052](#)
[1712418](#) [1733868](#)