

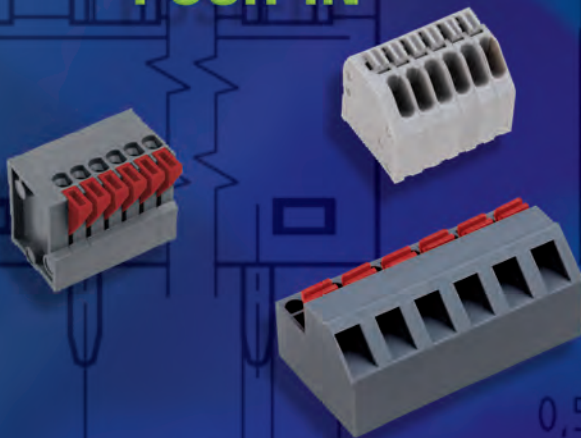
Altech Corp.®

Serving the Automation & Control Industry since 1984



PUSH-IN

**PCB POWER
TERMINALS
PUSH-IN**



**TENSION
SPRINGS**

**PLUGGABLE
PUSH-IN**



**Printed Circuit Board Terminal Blocks
SPRING CLAMP | PUSH-IN**

Altech Corp.®

Since 1984, Altech Corporation has grown to become a leading supplier of automation and industrial control components. Headquartered in Flemington, NJ, Altech has an experienced staff of engineering, manufacturing and sales personnel to provide the highest quality products with superior service. This is the Altech Commitment!

With experienced Product Engineers and Customer Service personnel, Altech provides solutions to your most pressing application challenges. All with one thought in mind - *to ensure that we solve your problem the first time!*



Altech's Commitment

Altech's Automation and Control components meet applicable national and international standards, such as UL, NEC, CSA, IEC and VDE. Altech provides these products with superior customer service and delivery through a ISO 9001 Quality Management system, which stresses continuous process improvement. We perform these services with honesty and integrity. All Altech employees are trained in this Quality Management System and are dedicated to achieve these goals. Altech's quality system has been ISO approved since 1999.



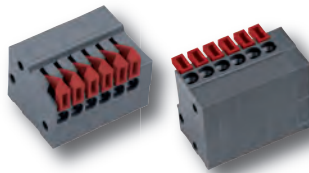
TABLE OF CONTENTS & OVERVIEW

FIXED PUSH-IN PCB TERMINAL



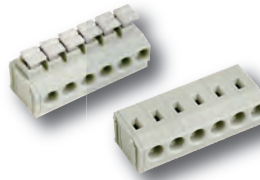
- 2.50/ 3.50mm spacing
- 2A/ 6A current rating
- 150V/ 300V

pages 4-5



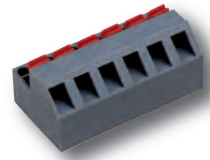
- 2.54/ 3.81mm spacing
- 6A current rating
- 150V/ 300V
- Vertical/ horizontal

pages 6-7



- 5.00mm spacing
- 10A current rating
- 300V
- Lever version

page 8



- 5.08mm spacing
- 10A current rating
- 300V

page 9

PCB POWER TERMINALS PUSH-IN



- 5.00mm spacing
- 20A current rating
- 300V
- Vertical/ horizontal

pages 10



- 7.50mm spacing
- 20A current rating
- 300V
- Vertical/ horizontal

page 11



- 7.50mm spacing
- 35A current rating
- 300V
- Vertical/ horizontal

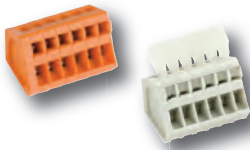
page 12-13



- 11.50mm spacing
- 35A current rating
- 600V
- Vertical/ horizontal

page 14

TENSION SPRINGS



- 2.50/ 2.54mm spacing
- 4A current rating
- 150V
- Lever version

pages 16-17



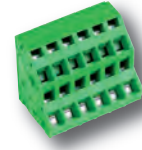
- 5.00mm spacing
- 6A current rating
- 300V
- Lever versions

pages 18-19



- 5.00/ 7.50/ 10.00mm spacing
- 15A current rating
- 300V
- Lever versions

page 20-25



- 5.00/ 5.08mm spacing
- 16A current rating
- 300V
- Double Level

page 26-27

PLUGGABLE PUSH-IN



- 3.50/ 3.81mm spacing
- 10A current rating
- 300V

pages 28, 30



- 3.50/ 3.81mm spacing
- 10A current rating
- 300V
- Screw flange

pages 29, 31



- 5.00/ 5.08mm spacing
- 10A current rating
- 300V

page 32



- 5.00/ 5.08mm spacing
- 10A current rating
- 300V
- Screw flange

page 33

Fixed Push-In PCB Terminal

3.50 mm Pin Spacing

- Push-In Technology
- 1-N Poles
- Various Colors / Pin Configurations
- Standard Color: Light Gray



AK4291/xxKD-3.5
AK4291/xxKDVP-3.5

PUSH-IN

PCB POWER TERMINALS
PUSH-IN

TENSION SPRING

PLUGGABLE
PUSH-IN

Electrical Ratings

Usergroup	B	C	D	-
Rated Voltage	300V	-	300V	130V / 250V
Rated Current	6A	-	6A	3A
Wire Size	<i>solid</i> 22-16AWG <i>stranded</i> 22-16AWG	-	22-16AWG 22-16AWG	0.2mm ² -0.75mm ² 0.2mm ² -0.75mm ²



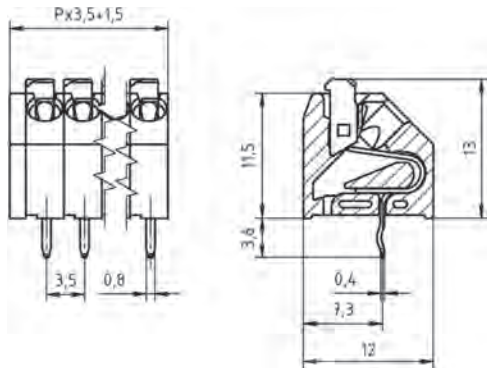
Ordering Information (3.50 mm Spacing - Gray)

No. Poles	Order #	Type #	Length (mm)	Std. Pack
1	39.5201	AK4291/1KD-3.5-G	5.00	100
2	39.5202	AK4291/2KD-3.5-G	8.50	100
3	39.5203	AK4291/3KD-3.5-G	12.00	100
4	39.5204	AK4291/4KD-3.5-G	15.50	50
5	39.5205	AK4291/5KD-3.5-G	19.00	50
6	39.5206	AK4291/6KD-3.5-G	22.50	50
7	39.5207	AK4291/7KD-3.5-G	26.00	20
8	39.5208	AK4291/8KD-3.5-G	29.50	20
9	39.5209	AK4291/9KD-3.5-G	33.00	20
10	39.5210	AK4291/10KD-3.5-G	36.50	20
11	39.5211	AK4291/11KD-3.5-G	40.00	20
12	39.5212	AK4291/12KD-3.5-G	43.50	20

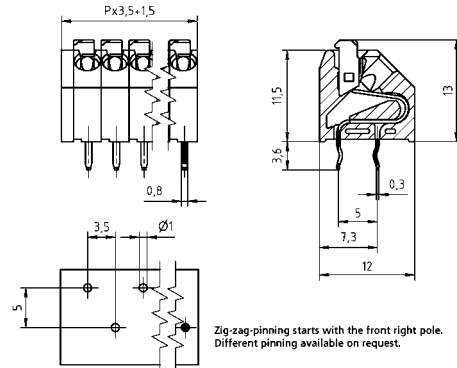
Ordering Information (3.50 mm Spacing - Gray)

No. Poles	Order #	Type #	Length (mm)	Std. Pack
1	39.5251	AK4291/1KDVP-3.5-G	5.00	100
2	39.5252	AK4291/2KDVP-3.5-G	8.50	100
3	39.5253	AK4291/3KDVP-3.5-G	12.00	100
4	39.5254	AK4291/4KDVP-3.5-G	15.50	50
5	39.5255	AK4291/5KDVP-3.5-G	19.00	50
6	39.5256	AK4291/6KDVP-3.5-G	22.50	50
7	39.5257	AK4291/7KDVP-3.5-G	26.00	20
8	39.5258	AK4291/8KDVP-3.5-G	29.50	20
9	39.5259	AK4291/9KDVP-3.5-G	33.00	20
10	39.5260	AK4291/10KDVP-3.5-G	36.50	20
11	39.5261	AK4291/11KDVP-3.5-G	40.00	20
12	39.5262	AK4291/12KDVP-3.5-G	43.50	20

Dimensions (mm)



Dimensions (mm)



Material Specifications

Spring Clamp	Stainless Steel
Solder Tab	Copper Alloy
Insulating Material	PA 6.6
Flammability Class	UL94V-0
Operating Temperature	-30°C - +105°C

Wave Solder Process

Soldering Temperature	265°C
Peak Soldering Time	3-4s

Installation Data

Stripping Length	9mm
PCB Hole Size	1.0mm

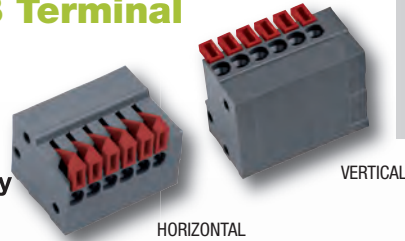
Other Colors Available

- GREEN, RAL 6018
- ORANGE, RAL 2011
- BLUE, RAL 5015

Fixed Push-In PCB Terminal

2.54 mm Pin Spacing

- Push-In Technology
- 1-N Poles
- Various Colors
- Standard Color: Dark Gray



HORIZONTAL

VERTICAL

AKZ4791/xxKD-2.54-H
HORIZONTAL

AKZ4791/xxKD-2.54-V
VERTICAL

Electrical Ratings

		UL E178356		IEC	VDE
Usergroup	B	C	D	-	-
Rated Voltage	150V	-	-	130V	-
Rated Current	6A	-	-	9A	-
Wire Size	<i>solid</i> 26-18AWG	-	-	0.2mm ² -0.75mm ²	-
	<i>stranded</i> 26-18AWG	-	-	0.2mm ² -0.75mm ²	-

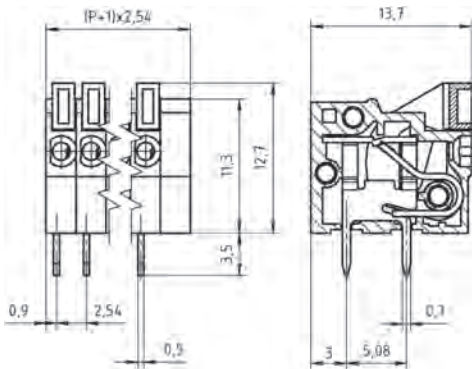
Ordering Information (2.54 mm Spacing - Gray)

No. Poles	Order #	Type #	Length (mm)	Std. Pack
1	39.5301	AKZ4791/1KD-2.54-H-G	5.08	100
2	39.5302	AKZ4791/2KD-2.54-H-G	7.62	100
3	39.5303	AKZ4791/3KD-2.54-H-G	10.16	100
4	39.5304	AKZ4791/4KD-2.54-H-G	12.70	50
5	39.5305	AKZ4791/5KD-2.54-H-G	15.24	50
6	39.5306	AKZ4791/6KD-2.54-H-G	17.78	50
7	39.5307	AKZ4791/7KD-2.54-H-G	20.32	20
8	39.5308	AKZ4791/8KD-2.54-H-G	22.86	20
9	39.5309	AKZ4791/9KD-2.54-H-G	25.40	20
10	39.5310	AKZ4791/10KD-2.54-H-G	27.94	20
11	39.5311	AKZ4791/11KD-2.54-H-G	30.48	20
12	39.5312	AKZ4791/12KD-2.54-H-G	33.02	20

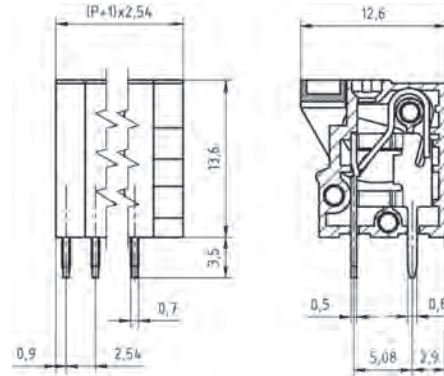
Ordering Information (2.54 mm Spacing - Gray)

No. Poles	Order #	Type #	Length (mm)	Std. Pack
1	39.5351	AKZ4791/1KD-2.54-V-G	5.08	100
2	39.5352	AKZ4791/2KD-2.54-V-G	7.62	100
3	39.5353	AKZ4791/3KD-2.54-V-G	10.16	100
4	39.5354	AKZ4791/4KD-2.54-V-G	12.70	50
5	39.5355	AKZ4791/5KD-2.54-V-G	15.24	50
6	39.5356	AKZ4791/6KD-2.54-V-G	17.78	50
7	39.5357	AKZ4791/7KD-2.54-V-G	20.32	20
8	39.5358	AKZ4791/8KD-2.54-V-G	22.86	20
9	39.5359	AKZ4791/9KD-2.54-V-G	25.40	20
10	39.5360	AKZ4791/10KD-2.54-V-G	27.94	20
11	39.5361	AKZ4791/11KD-2.54-V-G	30.48	20
12	39.5362	AKZ4791/12KD-2.54-V-G	33.02	20

Dimensions (mm) Horizontal



Dimensions (mm) Vertical



Material Specifications

Spring Clamp	Stainless Steel
Solder Tab	Brass
Insulating Material	PBT
Flammability Class	UL94V-0
Operating Temperature	-30°C - +105°C

Wave Solder Process

Soldering Temperature	265°C
Peak Soldering Time	3-4s

Installation Data

Stripping Length	10mm
PCB Hole Size	1.2mm

Other Colors Available

- GREEN, RAL 6018
- ORANGE, RAL 2011
- BLUE, RAL 5015

Fixed Push-In PCB Terminal

3.81 mm Pin Spacing

- Push-In Technology
- 1-N Poles
- Various Colors
- Standard Color: Dark Gray



AKZ4701/xxKD-3.81-H
HORIZONTAL

AKZ4701/xxKD-3.81-V
VERTICAL

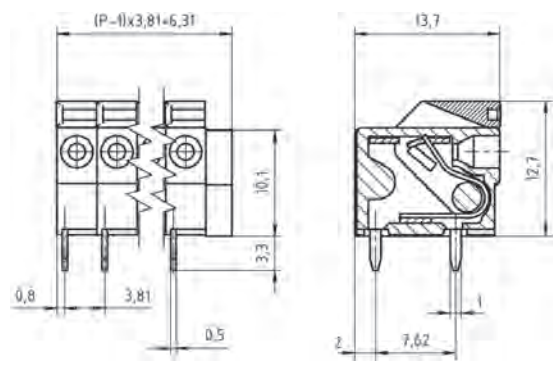
Electrical Ratings		UL E178356		IEC	VDE
Usergroup	B	C	D	-	
	300V	-	300V	130V	
Rated Current	6A	-	6A	12A	
Wire Size	<i>solid</i>	26-16AWG	26-16AWG	0.2mm ² -1.5mm ²	
	<i>stranded</i>	26-16AWG	26-16AWG	0.2mm ² -1.5mm ²	

Ordering Information (3.81 mm Spacing - Gray)

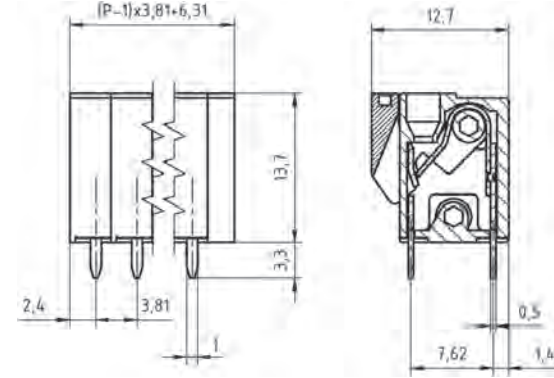
No. Poles	Order #	Type #	Length (mm)	Std. Pack
1	39.5401	AKZ4701/1KD-3.81-H-G	6.31	100
2	39.5402	AKZ4701/2KD-3.81-H-G	10.12	100
3	39.5403	AKZ4701/3KD-3.81-H-G	13.93	100
4	39.5404	AKZ4701/4KD-3.81-H-G	17.74	50
5	39.5405	AKZ4701/5KD-3.81-H-G	21.55	50
6	39.5406	AKZ4701/6KD-3.81-H-G	25.36	50
7	39.5407	AKZ4701/7KD-3.81-H-G	29.17	20
8	39.5408	AKZ4701/8KD-3.81-H-G	32.98	20
9	39.5409	AKZ4701/9KD-3.81-H-G	36.79	20
10	39.5410	AKZ4701/10KD-3.81-H-G	40.60	20
11	39.5411	AKZ4701/11KD-3.81-H-G	44.41	20
12	39.5412	AKZ4701/12KD-3.81-H-G	48.22	20

No. Poles	Order #	Type #	Length (mm)	Std. Pack
1	39.5451	AKZ4701/1KD-3.81-V-G	6.31	100
2	39.5452	AKZ4701/2KD-3.81-V-G	10.12	100
3	39.5453	AKZ4701/3KD-3.81-V-G	13.93	100
4	39.5454	AKZ4701/4KD-3.81-V-G	17.74	50
5	39.5455	AKZ4701/5KD-3.81-V-G	21.55	50
6	39.5456	AKZ4701/6KD-3.81-V-G	25.36	50
7	39.5457	AKZ4701/7KD-3.81-V-G	29.17	20
8	39.5458	AKZ4701/8KD-3.81-V-G	32.98	20
9	39.5459	AKZ4701/9KD-3.81-V-G	36.79	20
10	39.5460	AKZ4701/10KD-3.81-V-G	40.60	20
11	39.5461	AKZ4701/11KD-3.81-V-G	44.41	20
12	39.5462	AKZ4701/12KD-3.81-V-G	48.22	20

Dimensions (mm) Horizontal



Dimensions (mm) Vertical



Material Specifications

Spring Clamp	Stainless Steel
Solder Tab	Brass
Insulating Material	PBT
Flammability Class	UL94V-0
Operating Temperature	-30°C - +105°C

Other Colors Available

- GREEN, RAL 6018
- ORANGE, RAL 2011
- BLUE, RAL 5015

Wave Solder Process

Soldering Temperature	265°C
Peak Soldering Time	3-4s

Installation Data

Stripping Length	10mm
PCB Hole Size	1.4mm

PUSH-IN

PCB POWER TERMINALS
PUSH-IN

TENSION SPRING

PLUGGABLE
PUSH-IN

Fixed Push-In PCB Terminal 5.00 mm Pin Spacing

- Push-In Technology
- 1-N Poles
- Various Colors



AK4100/xx-5.0

WITHOUT LEVER

AK4101/xxKD-5.0

WITH PUSH-LEVER

Electrical Ratings

		UL E178356			IEC	VDE
Usergroup		B	C	D	-	-
		300V	-	300V	250V	-
Rated Current		10A	-	10A	17.5A	-
Wire Size	<i>solid</i>	20-14AWG	-	20-14AWG	0.5mm ² -2.5mm ²	-
	<i>stranded</i>	-	-	-	-	-

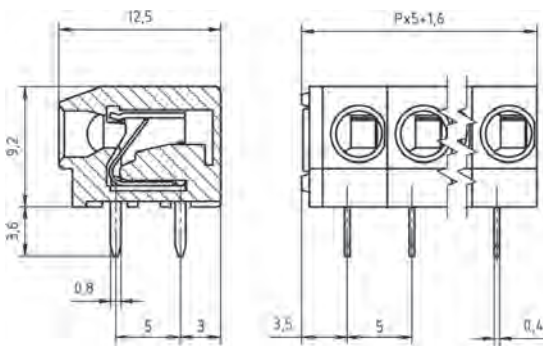
Ordering Information (5.00 mm Spacing - Gray)

No. Poles	Order #	Type #	Length (mm)	Std. Pack
1	39.5601	AK4100/1-5.0-G	6.60	100
2	39.5602	AK4100/2-5.0-G	11.60	100
3	39.5603	AK4100/3-5.0-G	16.60	100
4	39.5604	AK4100/4-5.0-G	21.60	50
5	39.5605	AK4100/5-5.0-G	26.60	50
6	39.5606	AK4100/6-5.0-G	31.60	50
7	39.5607	AK4100/7-5.0-G	36.60	20
8	39.5608	AK4100/8-5.0-G	41.60	20
9	39.5609	AK4100/9-5.0-G	46.60	20
10	39.5610	AK4100/10-5.0-G	51.60	20
11	39.5611	AK4100/10-5.0-G	56.60	20
12	39.5612	AK4100/12-5.0-G	61.60	20

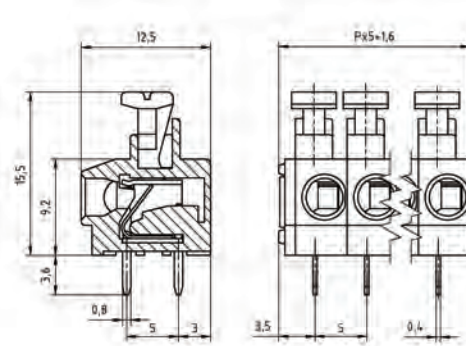
Ordering Information (5.00 mm Spacing - Gray)

No. Poles	Order #	Type #	Length (mm)	Std. Pack
1	39.5651	AK4101/1-KD-5.0-G	6.60	100
2	39.5652	AK4101/2-KD-5.0-G	11.60	100
3	39.5653	AK4101/3-KD-5.0-G	16.60	100
4	39.5654	AK4101/4-KD-5.0-G	21.60	50
5	39.5655	AK4101/5-KD-5.0-G	26.60	50
6	39.5656	AK4101/6-KD-5.0-G	31.60	50
7	39.5657	AK4101/7-KD-5.0-G	36.60	20
8	39.5658	AK4101/8-KD-5.0-G	41.60	20
9	39.5659	AK4101/9-KD-5.0-G	46.60	20
10	39.5660	AK4101/10-KD-5.0-G	51.60	20
11	39.5661	AK4101/10-KD-5.0-G	56.60	20
12	39.5662	AK4101/12-KD-5.0-G	61.60	20

Dimensions (mm) without Lever



Dimensions (mm) with Push-Lever



Material Specifications

Spring Clamp	Stainless Steel
Solder Tab	Copper Alloy
Insulating Material	PA 6.6
Flammability Class	UL94V-0
Operating Temperature	-30°C - +105°C

Wave Solder Process

Soldering Temperature	265°C
Peak Soldering Time	3-4s

Installation Data

Stripping Length	9mm
PCB Hole Size	1.0mm

Other Colors Available

GREEN, RAL 6018

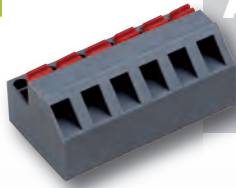
ORANGE, RAL 2011

BLUE, RAL 5015




Fixed Push-In PCB Terminal

5.08 mm Pin Spacing

- Push-In Technology
- 1-N Poles
- Single Molded Terminal Blocks



AKZ4301/xxKD-5.08

Electrical Ratings			  	
Usergroup	B	C	D	-
	300V	-	300V	250V
Rated Current	10A	-	10A	16A
Wire Size	<i>solid</i>	22-16AWG	-	22-16AWG
	<i>stranded</i>	22-16AWG	-	22-16AWG
				0.2mm ² -2.5mm ²
				0.2mm ² -1.5mm ²

Ordering Information (5.08 mm Spacing - Gray)

No. Poles	Order #	Type #	Length (mm)	Std. Pack
2	39.5702	AKZ4301/2KD-5.08-G	10.16	50
3	39.5703	AKZ4301/3KD-5.08-G	15.24	50
4	39.5704	AKZ4301/4KD-5.08-G	20.32	50
5	39.5705	AKZ4301/5KD-5.08-G	25.40	50
6	39.5706	AKZ4301/6KD-5.08-G	30.48	50
7	39.5707	AKZ4301/7KD-5.08-G	35.56	50
8	39.5708	AKZ4301/8KD-5.08-G	40.64	50

Please contact Altech for other pole configurations.

Material Specifications

Spring Clamp	Stainless Steel
Solder Tab	Brass
Insulating Material	PA 6.6
Flammability Class	UL94V-0
Operating Temperature	-30°C - +105°C

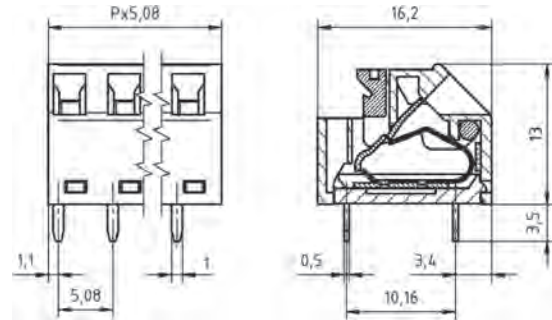
Wave Solder Process

Soldering Temperature	265°C
Peak Soldering Time	3-4s

Installation Data

Stripping Length	10mm
PCB Hole Size	1.4mm

Dimensions (mm)



Other Colors Available

GREEN, RAL 6018

PUSH-IN

PCB POWER TERMINALS
PUSH-IN

TENSION SPRING

PLUGGABLE
PUSH-IN

PCB Power Terminals (Push-In)

5.00 mm Pin Spacing

- Push-In Technology
- 20A
- Various Colors
- Standard Color: Dark Gray



AK4200/xx-5.0-H

HORIZONTAL

AK4200/xx-5.0-V

VERTICAL

Electrical Ratings

Usergroup		B	C	D	-	
Rated Voltage		300V	-	300V	250V	
Rated Current		20A	-	10A	24A	
Wire Size	<i>solid</i>	24-12AWG	-	24-12AWG	0.2mm ² -2.5mm ²	
	<i>stranded</i>	24-12AWG	-	24-12AWG	0.2mm ² -2.5mm ²	

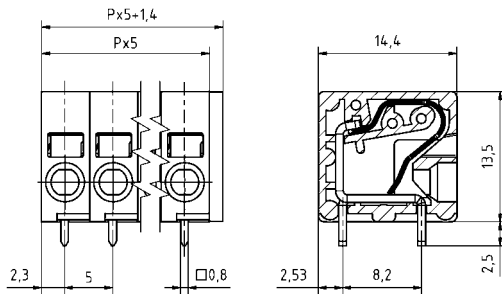
Ordering Information - Horizontal, Gray - RAL7012

No. Poles	Order #	Type #	Length (mm)	Std. Pack
1	39.8101	AK4200/1-5.0-H-G	6.40	100
2	39.8102	AK4200/2-5.0-H-G	11.40	50
3	39.8103	AK4200/3-5.0-H-G	16.40	50
4	39.8104	AK4200/4-5.0-H-G	21.40	50
5	39.8105	AK4200/5-5.0-H-G	26.40	50
6	39.8106	AK4200/6-5.0-H-G	31.40	50
7	39.8107	AK4200/7-5.0-H-G	36.40	50
8	39.8108	AK4200/8-5.0-H-G	41.40	50
9	39.8109	AK4200/9-5.0-H-G	46.40	50
10	39.8110	AK4200/10-5.0-H-G	51.40	50
11	39.8111	AK4200/10-5.0-H-G	56.40	50
12	39.8112	AK4200/12-5.0-H-G	61.40	50

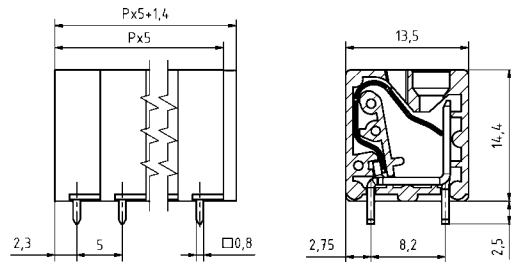
Ordering Information - Vertical, Gray - RAL7012

No. Poles	Order #	Type #	Length (mm)	Std. Pack
1	39.8151	AK4200/1-5.0-V-G	6.40	100
2	39.8152	AK4200/2-5.0-V-G	11.40	50
3	39.8153	AK4200/3-5.0-V-G	16.40	50
4	39.8154	AK4200/4-5.0-V-G	21.40	50
5	39.8155	AK4200/5-5.0-V-G	26.40	50
6	39.8156	AK4200/6-5.0-V-G	31.40	50
7	39.8157	AK4200/7-5.0-V-G	36.40	50
8	39.8158	AK4200/8-5.0-V-G	41.40	50
9	39.8159	AK4200/9-5.0-V-G	46.40	50
10	39.8160	AK4200/10-5.0-V-G	51.40	50
11	39.8161	AK4200/10-5.0-V-G	56.40	50
12	39.8162	AK4200/12-5.0-V-G	61.40	50

Dimensions (mm)



Dimensions (mm)



Material Specifications

Spring Clamp	Stainless Steel
Solder Tab	Copper Alloy
Insulating Material	PA 6.6
Flammability Class	UL94V-0
Operating Temperature	-30°C - +105°C

Wave Solder Process

Soldering Temperature	265°C
Peak Soldering Time	3-4s

Installation Data

Stripping Length	10mm
PCB Hole Size	1.1mm

Other Colors Available

- BLACK, RAL 9011**
- GREEN, RAL 6018**
- ORANGE, RAL 2011**
- RED, RAL 3003**
- BLUE, RAL 5015**

PUSH-IN

PCB POWER TERMINALS
PUSH-IN

TENSION SPRING

PLUGGABLE
PUSH-IN

PCB Power Terminals (Push-In)

7.50 mm Pin Spacing

- Push-In Technology
- 20A
- Various Colors
- Standard Color: Dark Gray



AK4200/xx-7.5-H

HORIZONTAL

AK4200/xx-7.5-V

VERTICAL

Electrical Ratings

Usergroup	B	C	D	
Rated Voltage	300V	150V	300V	- 750V
Rated Current	20A	20A	10A	24A
Wire Size	<i>solid</i> 24-12AWG	24-12AWG	24-12AWG	0.2mm ² -2.5mm ²
	<i>stranded</i> 24-12AWG	24-12AWG	24-12AWG	0.2mm ² -2.5mm ²



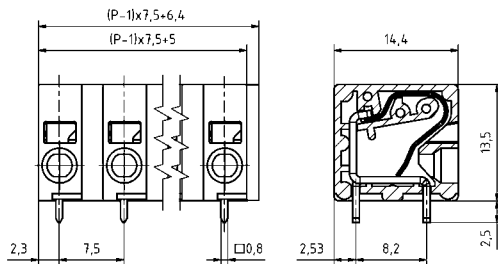
Ordering Information - Horizontal, Gray - RAL7012

No. Poles	Order #	Type #	Length (mm)	Std. Pack
1	39.8301	AK4200/1-7.5-H-G	6.40	100
2	39.8302	AK4200/2-7.5-H-G	13.90	50
3	39.8303	AK4200/3-7.5-H-G	21.40	50
4	39.8304	AK4200/4-7.5-H-G	28.90	50
5	39.8305	AK4200/5-7.5-H-G	36.40	50
6	39.8306	AK4200/6-7.5-H-G	43.90	50
7	39.8307	AK4200/7-7.5-H-G	51.40	50
8	39.8308	AK4200/8-7.5-H-G	58.90	50
9	39.8309	AK4200/9-7.5-H-G	66.40	50
10	39.8310	AK4200/10-7.5-H-G	73.90	50
11	39.8311	AK4200/10-7.5-H-G	81.40	50
12	39.8312	AK4200/12-7.5-H-G	88.90	50

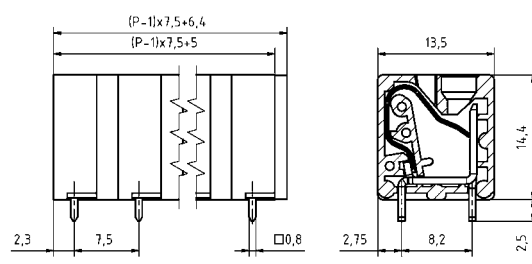
Ordering Information - Vertical, Gray - RAL7012

No. Poles	Order #	Type #	Length (mm)	Std. Pack
1	39.8351	AK4200/1-7.5-V-G	6.40	100
2	39.8352	AK4200/2-7.5-V-G	13.90	50
3	39.8353	AK4200/3-7.5-V-G	21.40	50
4	39.8354	AK4200/4-7.5-V-G	28.90	50
5	39.8355	AK4200/5-7.5-V-G	36.40	50
6	39.8356	AK4200/6-7.5-V-G	43.90	50
7	39.8357	AK4200/7-7.5-V-G	51.40	50
8	39.8358	AK4200/8-7.5-V-G	58.90	50
9	39.8359	AK4200/9-7.5-V-G	66.40	50
10	39.8360	AK4200/10-7.5-V-G	73.90	50
11	39.8361	AK4200/10-7.5-V-G	81.40	50
12	39.8362	AK4200/12-7.5-V-G	88.90	50

Dimensions (mm)



Dimensions (mm)



Material Specifications

Spring Clamp	Stainless Steel
Solder Tab	Copper Alloy
Insulating Material	PA 6.6
Flammability Class	UL94V-0
Operating Temperature	-30°C - +105°C

Wave Solder Process

Soldering Temperature	265°C
Peak Soldering Time	3-4s

Installation Data

Stripping Length	10mm
PCB Hole Size	1.1mm

Other Colors Available

- BLACK, RAL 9011
- GREEN, RAL 6018
- ORANGE, RAL 2011
- RED, RAL 3003
- BLUE, RAL 5015

PUSH-IN

PCB POWER TERMINALS
PUSH-IN

TENSION SPRING

PLUGGABLE
PUSH-IN

PCB Power Terminals (Push-In)

7.50 mm Pin Spacing

- Push-In Technology
- 35A
- Standard Color: Dark Gray



AK4210/xx-7.5-H

HORIZONTAL

AK4210/xx-7.5-V

VERTICAL

Electrical Ratings



Usergroup	B	C	D	-
Rated Voltage	300V	150V	300V	450V
Rated Current	35A	35A	10A	41A
Wire Size				
<i>solid</i>	24-8AWG	24-8AWG	24-8AWG	0.2mm ² -10.0mm ²
<i>stranded</i>	24-8AWG	24-8AWG	24-8AWG	0.2mm ² -6.0mm ²

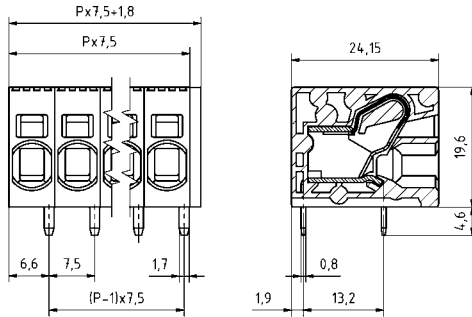
Ordering Information - Horizontal, Gray - RAL7012

No. Poles	Order #	Type #	Length (mm)	Std. Pack
1	39.8401	AK4210/1-7.5-H-G	9.25	100
2	39.8402	AK4210/2-7.5-H-G	16.75	50
3	39.8403	AK4210/3-7.5-H-G	24.25	50
4	39.8404	AK4210/4-7.5-H-G	31.75	50
5	39.8405	AK4210/5-7.5-H-G	39.25	50
6	39.8406	AK4210/6-7.5-H-G	46.75	50
7	39.8407	AK4210/7-7.5-H-G	54.25	50
8	39.8408	AK4210/8-7.5-H-G	61.75	50
9	39.8409	AK4210/9-7.5-H-G	69.25	50
10	39.8410	AK4210/10-7.5-H-G	76.75	50
11	39.8411	AK4210/10-7.5-H-G	84.25	50
12	39.8412	AK4210/12-7.5-H-G	91.75	50

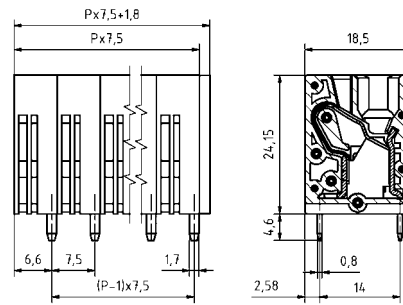
Ordering Information - Vertical, Gray - RAL7012

No. Poles	Order #	Type #	Length (mm)	Std. Pack
1	39.8451	AK4210/1-7.5-V-G	9.25	100
2	39.8452	AK4210/2-7.5-V-G	16.75	50
3	39.8453	AK4210/3-7.5-V-G	24.25	50
4	39.8454	AK4210/4-7.5-V-G	31.75	50
5	39.8455	AK4210/5-7.5-V-G	39.25	50
6	39.8456	AK4210/6-7.5-V-G	46.75	50
7	39.8457	AK4210/7-7.5-V-G	54.25	50
8	39.8458	AK4210/8-7.5-V-G	61.75	50
9	39.8459	AK4210/9-7.5-V-G	69.25	50
10	39.8460	AK4210/10-7.5-V-G	76.75	50
11	39.8461	AK4210/10-7.5-V-G	84.25	50
12	39.8462	AK4210/12-7.5-V-G	91.75	50

Dimensions (mm)



Dimensions (mm)



Material Specifications

Spring Clamp	Stainless Steel
Solder Tab	Copper Alloy
Insulating Material	PA 6.6
Flammability Class	UL94V-0
Operating Temperature	-30°C - +105°C

Wave Solder Process

Soldering Temperature	265°C
Peak Soldering Time	3-4s

Installation Data

Stripping Length	15mm
PCB Hole Size	2.1mm

Other Colors Available

- BLACK, RAL 9011**
- GREEN, RAL 6018**
- ORANGE, RAL 2011**
- RED, RAL 3003**
- BLUE, RAL 5015**

PCB Power Terminals (Push-In)

7.5 mm Pin Spacing

- Push-In Technology
- 35A
- Zig-Zag Pin Style
- Standard Color: Dark Gray



AK4210/xxVP-7.5-H
HORIZONTAL

AK4210/xxVP-7.5-V
VERTICAL

Electrical Ratings		UL E178356			IEC VDE	
Usergroup		B	C	D	-	
Rated Voltage		600V	600V	600V	1000V	
Rated Current		35A	35A	5A	41A	
Wire Size	<i>solid</i>	24-8AWG	24-8AWG	24-8AWG	0.2mm ² -10mm ²	
	<i>stranded</i>	24-8AWG	24-8AWG	24-8AWG	0.2mm ² -6mm ²	

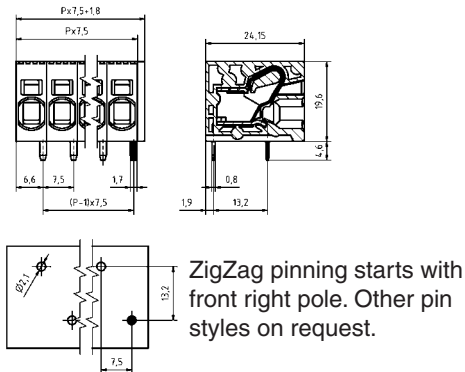
Ordering Information - Horizontal, Gray - RAL7012

No. Poles	Order #	Type #	Length (mm)	Std. Pack
1	39.8501	AK4210/1-VP-7.5-H-G	9.25	100
2	39.8502	AK4210/2-VP-7.5-H-G	16.75	50
3	39.8503	AK4210/3-VP-7.5-H-G	24.25	50
4	39.8504	AK4210/4-VP-7.5-H-G	31.75	50
5	39.8505	AK4210/5-VP-7.5-H-G	39.25	50
6	39.8506	AK4210/6-VP-7.5-H-G	46.75	50
7	39.8507	AK4210/7-VP-7.5-H-G	54.25	50
8	39.8508	AK4210/8-VP-7.5-H-G	61.75	50
9	39.8509	AK4210/9-VP-7.5-H-G	69.25	50
10	39.8510	AK4210/10-VP-7.5-H-G	76.75	50
11	39.8511	AK4210/10-VP-7.5-H-G	84.25	50
12	39.8512	AK4210/12-VP-7.5-H-G	91.75	50

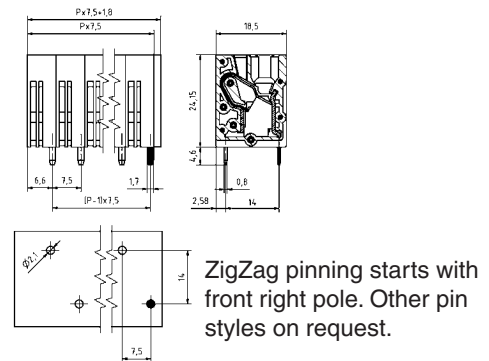
Ordering Information - Vertical, Gray - RAL7012

No. Poles	Order #	Type #	Length (mm)	Std. Pack
1	39.8551	AK4210/1-VP-7.5-V-G	9.25	100
2	39.8552	AK4210/2-VP-7.5-V-G	16.75	50
3	39.8553	AK4210/3-VP-7.5-V-G	24.25	50
4	39.8554	AK4210/4-VP-7.5-V-G	31.75	50
5	39.8555	AK4210/5-VP-7.5-V-G	39.25	50
6	39.8556	AK4210/6-VP-7.5-V-G	46.75	50
7	39.8557	AK4210/7-VP-7.5-V-G	54.25	50
8	39.8558	AK4210/8-VP-7.5-V-G	61.75	50
9	39.8559	AK4210/9-VP-7.5-V-G	69.25	50
10	39.8560	AK4210/10-VP-7.5-V-G	76.75	50
11	39.8561	AK4210/10-VP-7.5-V-G	84.25	50
12	39.8562	AK4210/12-VP-7.5-V-G	91.75	50

Dimensions (mm)



Dimensions (mm)



Material Specifications

Spring Clamp	Stainless Steel
Solder Tab	Copper Alloy
Insulating Material	PA 6.6
Flammability Class	UL94V-0
Operating Temperature	-30°C - +105°C

Wave Solder Process

Soldering Temperature	265°C
Peak Soldering Time	3-4s

Installation Data

Stripping Length	15mm
PCB Hole Size	2.1mm

Other Colors Available

- BLACK, RAL 9011
- GREEN, RAL 6018
- ORANGE, RAL 2011
- RED, RAL 3003
- BLUE, RAL 5015

PUSH-IN

PCB POWER TERMINALS
PUSH-IN

TENSION SPRING

PLUGGABLE
PUSH-IN

PCB Power Terminals (Push-In)

11.50 mm Pin Spacing

- Push-In Technology
- 35A
- Standard Color: Dark Gray



AK4210/xx-11.5-H
HORIZONTAL

AK4210/xx-11.5-V
VERTICAL

Electrical Ratings

Usergroup	UL E178356			IEC	VDE
	B	C	D	-	-
Rated Voltage	600V	600V	600V	1000V	
Rated Current	35A	35A	5A	41A	
Wire Size	<i>solid</i> <i>stranded</i>	24-8AWG	24-8AWG	24-8AWG	0.2mm ² -10mm ² 0.2mm ² -6mm ²

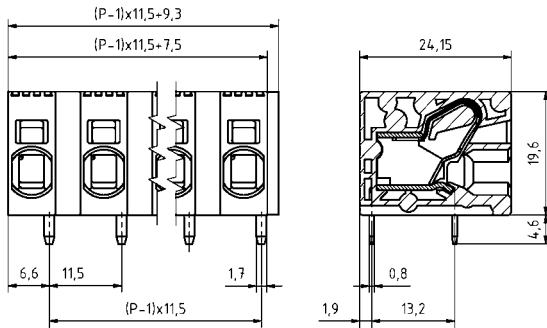
Ordering Information - Horizontal, Gray - RAL7012

No. Poles	Order #	Type #	Length (mm)	Std. Pack
1	39.8601	AK4210/1-11.5-H-G	9.25	100
2	39.8602	AK4210/2-11.5-H-G	20.75	50
3	39.8603	AK4210/3-11.5-H-G	32.25	50
4	39.8604	AK4210/4-11.5-H-G	43.75	50
5	39.8605	AK4210/5-11.5-H-G	55.25	50
6	39.8606	AK4210/6-11.5-H-G	66.75	50
7	39.8607	AK4210/7-11.5-H-G	78.25	50
8	39.8608	AK4210/8-11.5-H-G	89.25	50
9	39.8609	AK4210/9-11.5-H-G	101.25	50
10	39.8610	AK4210/10-11.5-H-G	112.75	50
11	39.8611	AK4210/10-11.5-H-G	124.25	50
12	39.8612	AK4210/12-11.5-H-G	135.75	50

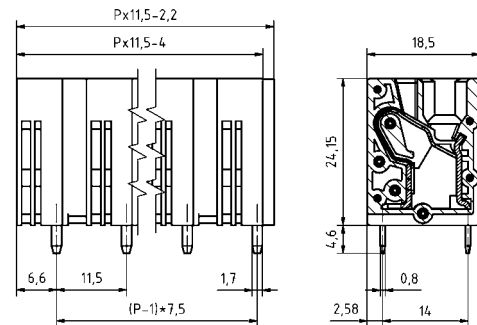
Ordering Information - Vertical, Gray - RAL7012

No. Poles	Order #	Type #	Length (mm)	Std. Pack
1	39.8651	AK4210/1-11.5-V-G	9.25	100
2	39.8652	AK4210/2-11.5-V-G	20.75	50
3	39.8653	AK4210/3-11.5-V-G	32.25	50
4	39.8654	AK4210/4-11.5-V-G	43.75	50
5	39.8655	AK4210/5-11.5-V-G	55.25	50
6	39.8656	AK4210/6-11.5-V-G	66.75	50
7	39.8657	AK4210/7-11.5-V-G	78.25	50
8	39.8658	AK4210/8-11.5-V-G	89.25	50
9	39.8659	AK4210/9-11.5-V-G	101.25	50
10	39.8660	AK4210/10-11.5-V-G	112.75	50
11	39.8661	AK4210/10-11.5-V-G	124.25	50
12	39.8662	AK4210/12-11.5-V-G	135.75	50

Dimensions (mm)



Dimensions (mm)



Material Specifications

Spring Clamp	Stainless Steel
Solder Tab	Copper Alloy
Insulating Material	PA 6.6
Flammability Class	UL94V-0
Operating Temperature	-30°C - +105°C

Wave Solder Process

Soldering Temperature	265°C
Peak Soldering Time	3-4s

Installation Data

Stripping Length	15mm
PCB Hole Size	2.1mm

Other Colors Available

- BLACK, RAL 9011**
- GREEN, RAL 6018**
- ORANGE, RAL 2011**
- RED, RAL 3003**
- BLUE, RAL 5015**

PCB Sample Cases Available

Px5,08
PUSH-IN

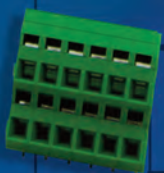
**PCB POWER
TERMINALS
PUSH-IN**

16,2
**PLUGGABLE
PUSH-IN**

**TENSION
SPRINGS**



3,5
0,5 3,4 10 16
**Ask for our
FREE Sample Case
PCBSPRING-DEMO**



Dx21

21,1



1,75



altechcorp.com/PCBs • 908.806.9400

PCB Tension Spring Terminal

2.50 mm Pin Spacing

- 45° Wire Entry
- Tension Spring Technology
- Modular
- Standard Color: Light Gray



Without Lever

With Grooved Push-Lever

AK3191/xx-2.5

WITHOUT LEVER

AK3191/xxKD-2.5

WITH GROOVED PUSH-LEVER

Electrical Ratings

Usergroup	B	C	D	-		
	150V	-	-	130V		
Rated Current	4A	-	-	9A		
Wire Size	<i>solid</i> 28-20AWG	-	-	0.2mm ² -0.5mm ²		
	<i>stranded</i> -	-	-	-		

Ordering Information

Without Lever

With Grooved Lever

No. Poles	Length (mm)	Std. Pack	Order #	Type #	Order #	Type #
1	4.50	100	38.1101	AK3191/1-2.5	38.1201	AK3191/1KD-2.5
2	7.00	100	38.1102	AK3191/2-2.5	38.1202	AK3191/2KD-2.5
3	9.50	100	38.1103	AK3191/3-2.5	38.1203	AK3191/3KD-2.5
4	12.00	50	38.1104	AK3191/4-2.5	38.1204	AK3191/4KD-2.5
5	14.50	50	38.1105	AK3191/5-2.5	38.1205	AK3191/5KD-2.5
6	17.00	50	38.1106	AK3191/6-2.5	38.1206	AK3191/6KD-2.5
7	19.50	50	38.1107	AK3191/7-2.5	38.1207	AK3191/7KD-2.5
8	22.00	50	38.1108	AK3191/8-2.5	38.1208	AK3191/8KD-2.5
9	24.50	50	38.1109	AK3191/9-2.5	38.1209	AK3191/9KD-2.5
10	27.00	50	38.1110	AK3191/10-2.5	38.1210	AK3191/10KD-2.5
11	29.50	50	38.1111	AK3191/11-2.5	38.1211	AK3191/11KD-2.5
12	32.00	50	38.1112	AK3191/12-2.5	38.1212	AK3191/12KD-2.5
13	34.50	20	38.1113	AK3191/13-2.5	38.1213	AK3191/13KD-2.5
14	37.00	20	38.1114	AK3191/14-2.5	38.1214	AK3191/14KD-2.5
15	39.50	20	38.1115	AK3191/15-2.5	38.1215	AK3191/15KD-2.5
16	42.00	20	38.1116	AK3191/16-2.5	38.1216	AK3191/16KD-2.5
17	44.50	20	38.1117	AK3191/18-2.5	38.1217	AK3191/17KD-2.5
18	47.00	20	38.1118	AK3191/18-2.5	38.1218	AK3191/18KD-2.5
19	49.50	20	38.1119	AK3191/19-2.5	38.1219	AK3191/19KD-2.5
20	52.00	10	38.1120	AK3191/20-2.5	38.1220	AK3191/20KD-2.5
21	54.50	10	38.1121	AK3191/21-2.5	38.1221	AK3191/21KD-2.5
22	57.00	10	38.1122	AK3191/22-2.5	38.1222	AK3191/22KD-2.5
23	59.50	10	38.1123	AK3191/23-2.5	38.1223	AK3191/23KD-2.5
24	62.00	10	38.1124	AK3191/24-2.5	38.1224	AK3191/24KD-2.5

Material Specifications

Tension Spring	Stainless Steel
Solder Tab	Copper Alloy
Insulating Material	PA 6.6
Flammability Class	UL94V-0
Operating Temperature	-30°C - +105°C

Wave Solder Process

Soldering Temperature	265°C
Peak Soldering Time	3-4s

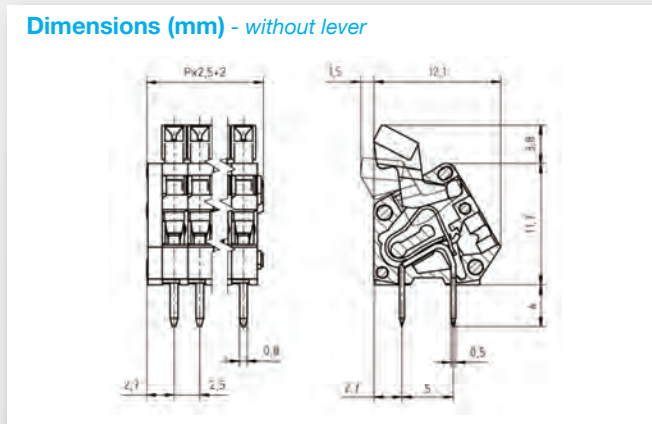
Installation Data

Stripping Length	5mm
PCB Hole Size	1.1mm

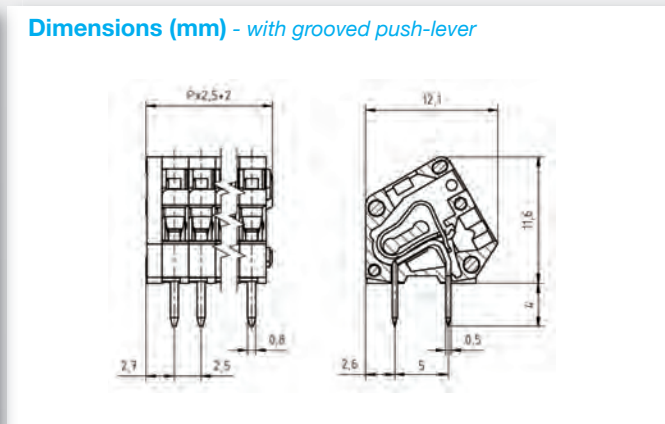
Other Colors Available

ORANGE, RAL 2011

Dimensions (mm) - without lever



Dimensions (mm) - with grooved push-lever



PUSH-IN

PCB POWER TERMINALS
PUSH-IN

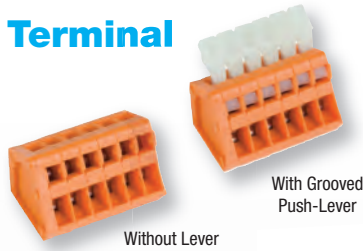
TENSION SPRING

PLUGGABLE
PUSH-IN

PCB Tension Spring Terminal

2.54 mm Pin Spacing

- 45° Wire Entry
- Tension Spring Technology
- Modular
- Standard Color: Orange



AKZ3191/xx-2.54

WITHOUT LEVER

AKZ3191/xxKD-2.54

WITH GROOVED PUSH-LEVER

Electrical Ratings				UL E178356	IEC	VDE
Usergroup	B	C	D			
	150V	-	-			130V
Rated Current	4A	-	-			9A
Wire Size	<i>solid</i>	28-20AWG	-			0.2mm ² -0.5mm ²
	<i>stranded</i>	-	-			-

Ordering Information			Without Lever	With Grooved Lever
----------------------	--	--	---------------	--------------------

No. Poles	Length (mm)	Std. Pack	Order #	Type #	Order #	Type #
1	4.54	100	38.1301	AK3191/1-2.54	38.1401	AK3191/1KD-2.54
2	7.08	100	38.1302	AK3191/2-2.54	38.1402	AK3191/2KD-2.54
3	9.62	100	38.1303	AK3191/3-2.54	38.1403	AK3191/3KD-2.54
4	12.16	50	38.1304	AK3191/4-2.54	38.1404	AK3191/4KD-2.54
5	14.70	50	38.1305	AK3191/5-2.54	38.1405	AK3191/5KD-2.54
6	17.24	50	38.1306	AK3191/6-2.54	38.1406	AK3191/6KD-2.54
7	19.78	50	38.1307	AK3191/7-2.54	38.1407	AK3191/7KD-2.54
8	22.32	50	38.1308	AK3191/8-2.54	38.1408	AK3191/8KD-2.54
9	24.86	50	38.1309	AK3191/9-2.54	38.1409	AK3191/9KD-2.54
10	27.40	50	38.1310	AK3191/10-2.54	38.1410	AK3191/10KD-2.54
11	29.94	50	38.1311	AK3191/11-2.54	38.1411	AK3191/11KD-2.54
12	32.48	50	38.1312	AK3191/12-2.54	38.1412	AK3191/12KD-2.54
13	35.02	20	38.1313	AK3191/13-2.54	38.1413	AK3191/13KD-2.54
14	37.56	20	38.1314	AK3191/14-2.54	38.1414	AK3191/14KD-2.54
15	40.10	20	38.1315	AK3191/15-2.54	38.1415	AK3191/15KD-2.54
16	42.64	20	38.1316	AK3191/16-2.54	38.1416	AK3191/16KD-2.54
17	45.18	20	38.1317	AK3191/18-2.54	38.1417	AK3191/17KD-2.54
18	47.72	20	38.1318	AK3191/18-2.54	38.1418	AK3191/18KD-2.54
19	50.26	20	38.1319	AK3191/19-2.54	38.1419	AK3191/19KD-2.54
20	52.80	10	38.1320	AK3191/20-2.54	38.1420	AK3191/20KD-2.54
21	55.34	10	38.1321	AK3191/21-2.54	38.1421	AK3191/21KD-2.54
22	57.88	10	38.1322	AK3191/22-2.54	38.1422	AK3191/22KD-2.54
23	60.42	10	38.1323	AK3191/23-2.54	38.1423	AK3191/23KD-2.54
24	62.96	10	38.1324	AK3191/24-2.54	38.1424	AK3191/24KD-2.54

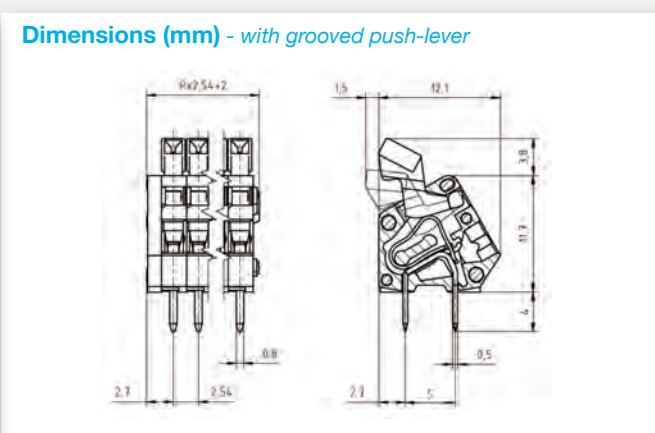
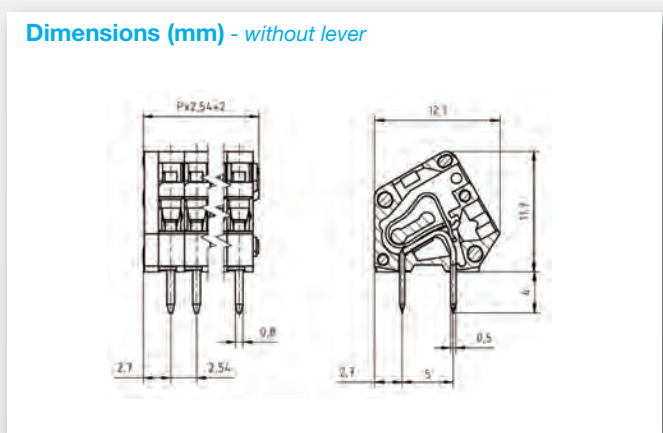
Material Specifications	
Tension Spring	Stainless Steel
Solder Tab	Copper Alloy
Insulating Material	PA 6.6
Flammability Class	UL94V-0
Operating Temperature	-30°C - +105°C

Wave Solder Process	
Soldering Temperature	265°C
Peak Soldering Time	3-4s

Installation Data	
Stripping Length	5mm
PCB Hole Size	1.1mm

Other Colors Available

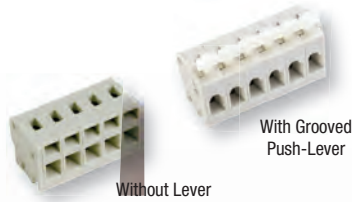
■ LIGHT GRAY, RAL 7032



PCB Tension Spring Terminal

5.00 mm Pin Spacing

- Tension Spring Technology
- Modular
- Various Colors
- Standard Color: Gray



AK3100/xx-5.0

WITHOUT LEVER

AK3101/xxKD-5.0

WITH GROOVED PUSH-LEVER

Electrical Ratings

		UL E178356		IEC	VDE
Usergroup		B	C	D	-
		300V	-	300V	250V
Rated Current		16A	-	10A	24A
Wire Size	<i>solid</i>	28-14AWG	-	28-14AWG	0.5mm ² -2.5mm ²
	<i>stranded</i>	28-14AWG	-	28-14AWG	0.5mm ² -2.5mm ²

Ordering Information

Without Lever

With Grooved Lever

No. Poles	Length (mm)	Std. Pack	Order #	Type #	Order #	Type #
1	7.20	100	38.2501	AK3100/1-5.0	38.2601	AK3101/1KD-5.0
2	12.20	100	38.2502	AK3100/2-5.0	38.2602	AK3101/2KD-5.0
3	17.20	100	38.2503	AK3100/3-5.0	38.2603	AK3101/3KD-5.0
4	22.20	50	38.2504	AK3100/4-5.0	38.2604	AK3101/4KD-5.0
5	27.20	50	38.2505	AK3100/5-5.0	38.2605	AK3101/5KD-5.0
6	32.20	50	38.2506	AK3100/6-5.0	38.2606	AK3101/6KD-5.0
7	37.20	50	38.2507	AK3100/7-5.0	38.2607	AK3101/7KD-5.0
8	42.20	50	38.2508	AK3100/8-5.0	38.2608	AK3101/8KD-5.0
9	47.20	50	38.2509	AK3100/9-5.0	38.2609	AK3101/9KD-5.0
10	52.20	50	38.2510	AK3100/10-5.0	38.2610	AK3101/10KD-5.0
11	57.20	50	38.2511	AK3100/11-5.0	38.2611	AK3101/11KD-5.0
12	62.20	50	38.2512	AK3100/12-5.0	38.2612	AK3101/12KD-5.0
13	67.20	20	38.2513	AK3100/13-5.0	38.2613	AK3101/13KD-5.0
14	72.20	20	38.2514	AK3100/14-5.0	38.2614	AK3101/14KD-5.0
15	77.20	20	38.2515	AK3100/15-5.0	38.2615	AK3101/15KD-5.0
16	82.20	20	38.2516	AK3100/16-5.0	38.2616	AK3101/16KD-5.0
17	87.20	20	38.2517	AK3100/18-5.0	38.2617	AK3101/17KD-5.0
18	92.20	20	38.2518	AK3100/18-5.0	38.2618	AK3101/18KD-5.0
19	97.20	20	38.2519	AK3100/19-5.0	38.2619	AK3101/19KD-5.0
20	102.20	10	38.2520	AK3100/20-5.0	38.2620	AK3101/20KD-5.0
21	107.20	10	38.2521	AK3100/21-5.0	38.2621	AK3101/21KD-5.0
22	112.20	10	38.2522	AK3100/22-5.0	38.2622	AK3101/22KD-5.0
23	117.20	10	38.2523	AK3100/23-5.0	38.2623	AK3101/23KD-5.0
24	122.20	10	38.2524	AK3100/24-5.0	38.2624	AK3101/24KD-5.0

Material Specifications

Tension Spring	Stainless Steel
Solder Tab	Copper Alloy
Insulating Material	PA 6.6
Flammability Class	UL94V-0
Operating Temperature	-30°C - +105°C

Wave Solder Process

Soldering Temperature	265°C
Peak Soldering Time	3-10s

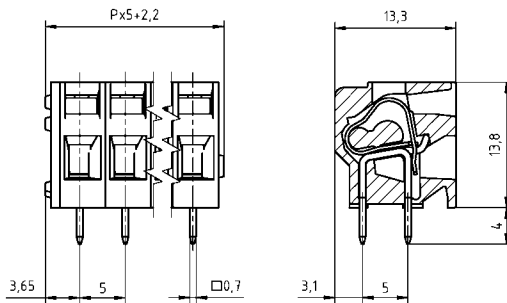
Installation Data

Stripping Length	6mm
PCB Hole Size	1.1mm

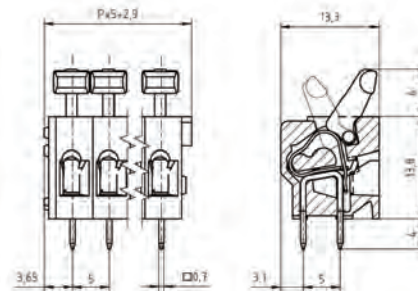
Other Colors Available

- GREEN, RAL 6018
- ORANGE, RAL 2011
- BLUE, RAL 5015

Dimensions (mm) - without lever



Dimensions (mm) - with grooved push-lever



PUSH-IN

PCB POWER TERMINALS
PUSH-IN

TENSION SPRING

PLUGGABLE
PUSH-IN

PCB Tension Spring Terminal

5.00 mm Pin Spacing

- Tension Spring Technology
- Modular
- Various Colors
- Standard Color: Gray



With Angled Push-Lever

AK3101/xxWD-5.0

WITH ANGLED PUSH-LEVER

Electrical Ratings

Usergroup	UL E178356			IEC	VDE
	B	C	D		
Rated Voltage	300V	—	300V	—	250V
Rated Current	16A	—	10A	—	24A
Wire Size	<i>solid</i> 28-14AWG	—	28-14AWG	—	0.5mm ² -2.5mm ²
	<i>stranded</i> 28-14AWG	—	28-14AWG	—	0.5mm ² -2.5mm ²

Ordering Information

Ordering Information			With Angled Lever	
No. Poles	Length (mm)	Std. Pack	Order #	Type #
1	7.20	100	38.2701	AK3101/1WD-5.0
2	12.20	100	38.2702	AK3101/2WD-5.0
3	17.20	100	38.2703	AK3101/3KD-5.0
4	22.20	50	38.2704	AK3101/4KD-5.0
5	27.20	50	38.2705	AK3101/5KD-5.0
6	32.20	50	38.2706	AK3101/6KD-5.0
7	37.20	50	38.2707	AK3101/7KD-5.0
8	42.20	50	38.2708	AK3101/8KD-5.0
9	47.20	50	38.2709	AK3101/9KD-5.0
10	52.20	50	38.2710	AK3101/10KD-5.0
11	57.20	50	38.2711	AK3101/11KD-5.0
12	62.20	50	38.2712	AK3101/12KD-5.0
13	67.20	20	38.2713	AK3101/13KD-5.0
14	72.20	20	38.2714	AK3101/14KD-5.0
15	77.20	20	38.2715	AK3101/15KD-5.0
16	82.20	20	38.2716	AK3101/16KD-5.0
17	87.20	20	38.2717	AK3101/17KD-5.0
18	92.20	20	38.2718	AK3101/18KD-5.0
19	97.20	20	38.2719	AK3101/19KD-5.0
20	102.20	10	38.2720	AK3101/20KD-5.0
21	107.20	10	38.2721	AK3101/21KD-5.0
22	112.20	10	38.2722	AK3101/22KD-5.0
23	117.20	10	38.2723	AK3101/23KD-5.0
24	122.20	10	38.2724	AK3101/24KD-5.0

Material Specifications

Tension Spring	Stainless Steel
Solder Tab	Copper Alloy
Insulating Material	PA 6.6
Flammability Class	UL94V-0
Operating Temperature	-30°C - +105°C

Wave Solder Process

Soldering Temperature	265°C
Peak Soldering Time	3-10s

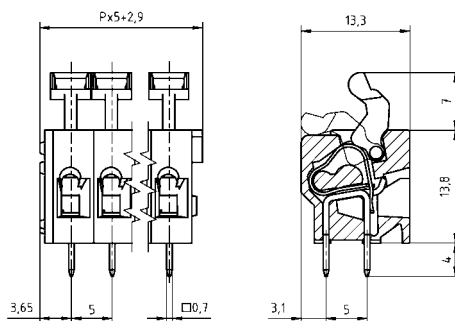
Installation Data

Stripping Length	6mm
PCB Hole Size	1.1mm

Other Colors Available

- GREEN, RAL 6018
- ORANGE, RAL 2011
- BLUE, RAL 5015

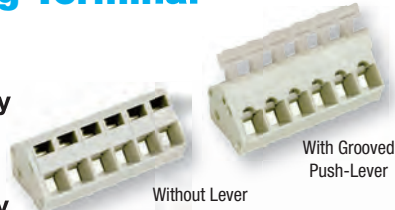
Dimensions (mm) - with flat push-lever



PCB Tension Spring Terminal

5.00 mm Pin Spacing

- 45° Wire Entry
- Tension Spring Technology
- Modular
- Various Colors
- Standard Color: Light Gray



AK3000/xx-5.0

WITHOUT LEVER

AK3001/xxKD-5.0

WITH GROOVED PUSH-LEVER

Electrical Ratings

		UL US E178356			IEC VDE	
Usergroup		B	C	D		
		300V	–	300V	–	250V
Rated Current		15A	–	10A	–	24A
Wire Size	<i>solid</i>	28-14AWG	–	28-14AWG	–	0.5mm ² -2.5mm ²
	<i>stranded</i>	28-14AWG	–	28-14AWG	–	0.5mm ² -2.5mm ²

Ordering Information

Without Lever

With Grooved Lever

No. Poles	Length (mm)	Std. Pack	Order #	Type #	Order #	Type #
1	7.20	100	38.2101	AK3000/1-5.0	38.2201	AK3001/1KD-5.0
2	12.20	100	38.2102	AK3000/2-5.0	38.2202	AK3001/2KD-5.0
3	17.20	100	38.2103	AK3000/3-5.0	38.2203	AK3001/3KD-5.0
4	22.20	50	38.2104	AK3000/4-5.0	38.2204	AK3001/4KD-5.0
5	27.20	50	38.2105	AK3000/5-5.0	38.2205	AK3001/5KD-5.0
6	32.20	50	38.2106	AK3000/6-5.0	38.2206	AK3001/6KD-5.0
7	37.20	50	38.2107	AK3000/7-5.0	38.2207	AK3001/7KD-5.0
8	42.20	50	38.2108	AK3000/8-5.0	38.2208	AK3001/8KD-5.0
9	47.20	50	38.2109	AK3000/9-5.0	38.2209	AK3001/9KD-5.0
10	52.20	50	38.2110	AK3000/10-5.0	38.2210	AK3001/10KD-5.0
11	57.20	50	38.2111	AK3000/11-5.0	38.2211	AK3001/11KD-5.0
12	62.20	50	38.2112	AK3000/12-5.0	38.2212	AK3001/12KD-5.0
13	67.20	20	38.2113	AK3000/13-5.0	38.2213	AK3001/13KD-5.0
14	72.20	20	38.2114	AK3000/14-5.0	38.2214	AK3001/14KD-5.0
15	77.20	20	38.2115	AK3000/15-5.0	38.2215	AK3001/15KD-5.0
16	82.20	20	38.2116	AK3000/16-5.0	38.2216	AK3001/16KD-5.0
17	87.20	20	38.2117	AK3000/18-5.0	38.2217	AK3001/17KD-5.0
18	92.20	20	38.2118	AK3000/18-5.0	38.2218	AK3001/18KD-5.0
19	97.20	20	38.2119	AK3000/19-5.0	38.2219	AK3001/19KD-5.0
20	102.20	10	38.2120	AK3000/20-5.0	38.2220	AK3001/20KD-5.0
21	107.20	10	38.2121	AK3000/21-5.0	38.2221	AK3001/21KD-5.0
22	112.20	10	38.2122	AK3000/22-5.0	38.2222	AK3001/22KD-5.0
23	117.20	10	38.2123	AK3000/23-5.0	38.2223	AK3001/23KD-5.0
24	122.20	10	38.2124	AK3000/24-5.0	38.2224	AK3001/24KD-5.0

Material Specifications

Tension Spring	Stainless Steel
Solder Tab	Copper Alloy
Insulating Material	PA 6.6
Flammability Class	UL94V-0
Operating Temperature	-30°C +105°C

Wave Solder Process

Soldering Temperature	265°C
Peak Soldering Time	3-10s

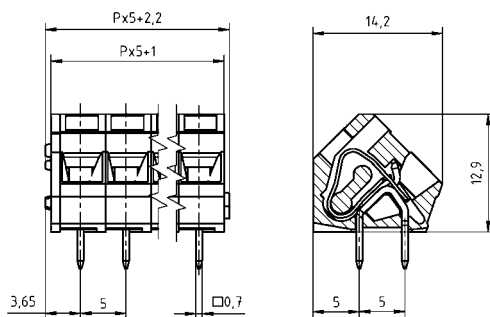
Installation Data

Stripping Length	6mm
PCB Hole Size	1.1mm

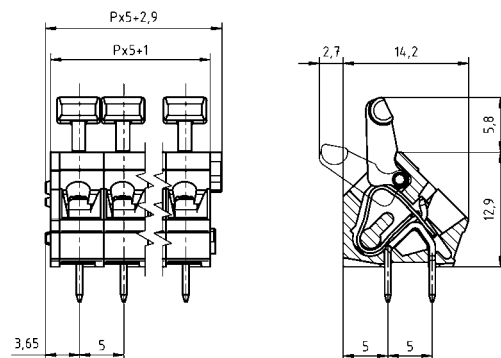
Other Colors Available

- GREEN, RAL 6018
- ORANGE, RAL 2011
- BLUE, RAL 5015

Dimensions (mm) - without lever



Dimensions (mm) - with grooved push-lever



PUSH-IN

PCB POWER TERMINALS
PUSH-IN

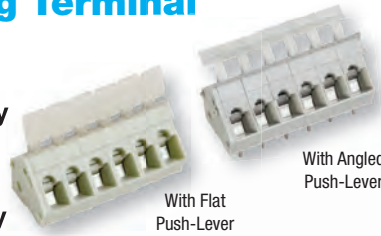
TENSION SPRING

PLUGGABLE
PUSH-IN

PCB Tension Spring Terminal

5.00 mm Pin Spacing

- 45° Wire Entry
- Tension Spring Technology
- Modular
- Various Colors
- Standard Color: Light Gray



With Flat Push-Lever

With Angled Push-Lever

AK3001-/xxFD-5.0

WITH FLAT PUSH-LEVER

AK3001-/xxWD-5.0

WITH ANGLED PUSH-LEVER

Electrical Ratings

Usergroup	B	C	D	
	300V	—	300V	250V
Rated Current	15A	—	10A	24A
Wire Size	<i>solid</i> 28-14AWG	—	28-14AWG	0.5mm ² -2.5mm ²
	<i>stranded</i> 28-14AWG	—	28-14AWG	0.5mm ² -2.5mm ²



Ordering Information

With Flat Lever

With Angled Lever

No. Poles	Length (mm)	Std. Pack	Order #	Type #	Order #	Type #
1	7.20	100	38.2301	AK3001/1FD-5.0	38.2401	AK3001/1WD-5.0
2	12.20	100	38.2302	AK3001/2FD-5.0	38.2402	AK3001/2WD-5.0
3	17.20	100	38.2303	AK3001/3FD-5.0	38.2403	AK3001/3WD-5.0
4	22.20	50	38.2304	AK3001/4FD-5.0	38.2404	AK3001/4WD-5.0
5	27.20	50	38.2305	AK3001/5FD-5.0	38.2405	AK3001/5WD-5.0
6	32.20	50	38.2306	AK3001/6FD-5.0	38.2406	AK3001/6WD-5.0
7	37.20	50	38.2307	AK3001/7FD-5.0	38.2407	AK3001/7WD-5.0
8	42.20	50	38.2308	AK3001/8FD-5.0	38.2408	AK3001/8WD-5.0
9	47.20	50	38.2309	AK3001/9FD-5.0	38.2409	AK3001/9WD-5.0
10	52.20	50	38.2310	AK3001/10FD-5.0	38.2410	AK3001/10WD-5.0
11	57.20	50	38.2311	AK3001/11FD-5.0	38.2411	AK3001/11WD-5.0
12	62.20	50	38.2312	AK3001/12FD-5.0	38.2412	AK3001/12WD-5.0
13	67.20	20	38.2313	AK3001/13FD-5.0	38.2413	AK3001/13WD-5.0
14	72.20	20	38.2314	AK3001/14FD-5.0	38.2414	AK3001/14WD-5.0
15	77.20	20	38.2315	AK3001/15FD-5.0	38.2415	AK3001/15WD-5.0
16	82.20	20	38.2316	AK3001/16FD-5.0	38.2416	AK3001/16WD-5.0
17	87.20	20	38.2317	AK3001/18FD-5.0	38.2417	AK3001/17WD-5.0
18	92.20	20	38.2318	AK3001/18FD-5.0	38.2418	AK3001/18WD-5.0
19	97.20	20	38.2319	AK3001/19FD-5.0	38.2419	AK3001/19WD-5.0
20	102.20	10	38.2320	AK3001/20FD-5.0	38.2420	AK3001/20WD-5.0
21	107.20	10	38.2321	AK3001/21FD-5.0	38.2421	AK3001/21WD-5.0
22	112.20	10	38.2322	AK3001/22FD-5.0	38.2422	AK3001/22WD-5.0
23	117.20	10	38.2323	AK3001/23FD-5.0	38.2423	AK3001/23WD-5.0
24	122.20	10	38.2324	AK3001/24FD-5.0	38.2424	AK3001/24WD-5.0

Material Specifications

Tension Spring	Stainless Steel
Solder Tab	Copper Alloy
Insulating Material	PA 6.6
Flammability Class	UL94V-0
Operating Temperature	-30°C - +105°C

Wave Solder Process

Soldering Temperature	265°C
Peak Soldering Time	3-10s

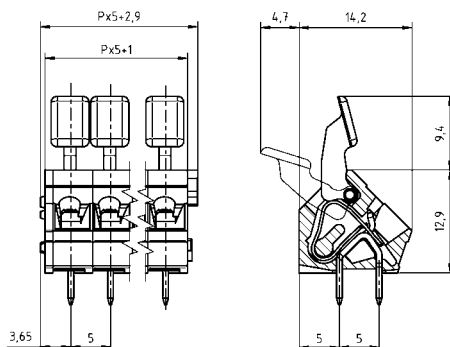
Installation Data

Stripping Length	6mm
PCB Hole Size	1.1mm

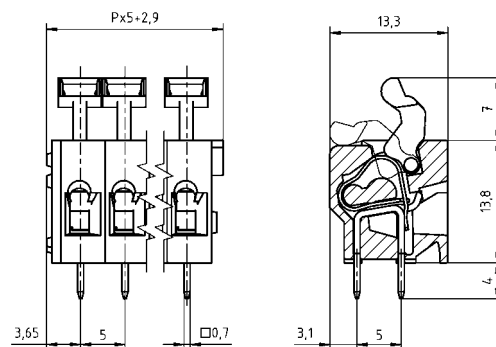
Other Colors Available

- GREEN, RAL 6018
- ORANGE, RAL 2011
- BLUE, RAL 5015

Dimensions (mm) - with flat push-lever



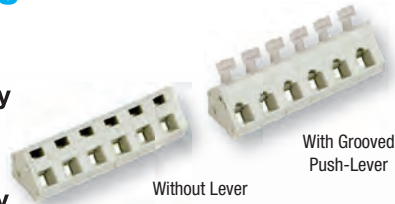
Dimensions (mm) - with angled push-lever



PCB Tension Spring Terminal

7.50 mm Pin Spacing

- 45° Wire Entry
- Tension Spring Technology
- Modular
- Various Colors
- Standard Color: Light Gray



AK3010/xx-7.5

WITHOUT LEVER

AK3011/xxKD-7.5

WITH GROOVED PUSH-LEVER

Electrical Ratings

Usergroup	UL E178356			IEC	VDE
	B	C	D	-	-
Rated Voltage	300V	-	300V	750V	-
Rated Current	16A	-	10A	24A	-
Wire Size	<i>solid</i> 28-14AWG	-	28-14AWG	0.5mm ² -2.5mm ²	-
	<i>stranded</i> 28-14AWG	-	28-14AWG	0.5mm ² -2.5mm ²	-

Ordering Information

Without Lever

With Grooved Lever

No. Poles	Length (mm)	Std. Pack	Order #	Type #	Order #	Type #
1	9.70	100	38.4101	AK3010/1-7.5	38.4201	AK3011/1KD-7.5
2	17.20	100	38.4102	AK3010/2-7.5	38.4202	AK3011/2KD-7.5
3	24.70	100	38.4103	AK3010/3-7.5	38.4203	AK3011/3KD-7.5
4	32.20	50	38.4104	AK3010/4-7.5	38.4204	AK3011/4KD-7.5
5	39.70	50	38.4105	AK3010/5-7.5	38.4205	AK3011/5KD-7.5
6	47.20	50	38.4106	AK3010/6-7.5	38.4206	AK3011/6KD-7.5
7	54.70	50	38.4107	AK3010/7-7.5	38.4207	AK3011/7KD-7.5
8	62.20	50	38.4108	AK3010/8-7.5	38.4208	AK3011/8KD-7.5
9	69.70	50	38.4109	AK3010/9-7.5	38.4209	AK3011/9KD-7.5
10	77.20	50	38.4110	AK3010/10-7.5	38.4210	AK3011/10KD-7.5
11	84.70	50	38.4111	AK3010/11-7.5	38.4211	AK3011/11KD-7.5
12	92.20	50	38.4112	AK3010/12-7.5	38.4212	AK3011/12KD-7.5
13	99.70	20	38.4113	AK3010/13-7.5	38.4213	AK3011/13KD-7.5
14	107.20	20	38.4114	AK3010/14-7.5	38.4214	AK3011/14KD-7.5
15	114.70	20	38.4115	AK3010/15-7.5	38.4215	AK3011/15KD-7.5
16	122.20	20	38.4116	AK3010/16-7.5	38.4216	AK3011/16KD-7.5
17	129.70	20	38.4117	AK3010/18-7.5	38.4217	AK3011/17KD-7.5
18	137.20	20	38.4118	AK3010/18-7.5	38.4218	AK3011/18KD-7.5
19	144.70	20	38.4119	AK3010/19-7.5	38.4219	AK3011/19KD-7.5
20	152.20	10	38.4120	AK3010/20-7.5	38.4220	AK3011/20KD-7.5
21	159.70	10	38.4121	AK3010/21-7.5	38.4221	AK3011/21KD-7.5
22	167.20	10	38.4122	AK3010/22-7.5	38.4222	AK3011/22KD-7.5
23	174.70	10	38.4123	AK3010/23-7.5	38.4223	AK3011/23KD-7.5
24	182.20	10	38.4124	AK3010/24-7.5	38.4224	AK3011/24KD-7.5

Material Specifications

Tension Spring	Stainless Steel
Solder Tab	Copper Alloy
Insulating Material	PA 6.6
Flammability Class	UL94V-0
Operating Temperature	-30°C - +105°C

Wave Solder Process

Soldering Temperature	265°C
Peak Soldering Time	3-10s

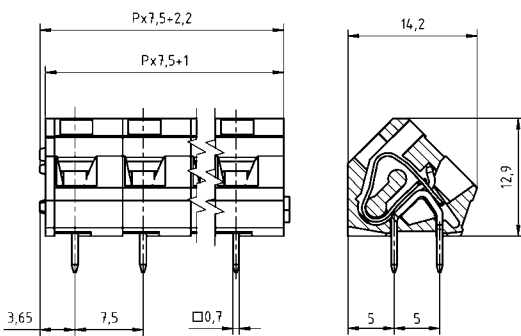
Installation Data

Stripping Length	6mm
PCB Hole Size	1.1mm

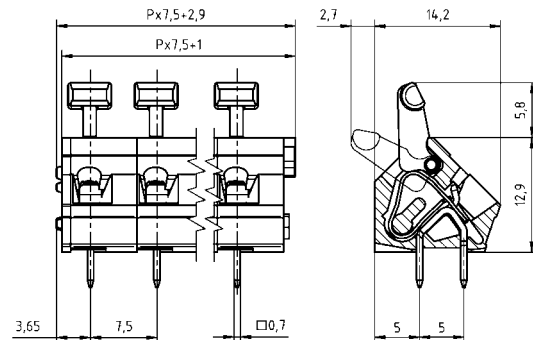
Other Colors Available

- GREEN, RAL 6018
- ORANGE, RAL 2011
- BLUE, RAL 5015

Dimensions (mm) - without lever



Dimensions (mm) - with grooved push-lever



PUSH-IN

PCB POWER TERMINALS
PUSH-IN

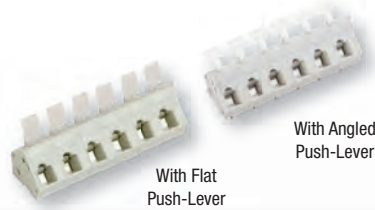
TENSION SPRING

PLUGGABLE
PUSH-IN

PCB Tension Spring Terminal

7.50 mm Pin Spacing

- 45° Wire Entry
- Tension Spring Technology
- Modular
- Various Colors
- Standard Color: Light Gray



AK3011/xxFD-7.5
WITH FLAT PUSH-LEVER

AK3011/xxWD-7.5
WITH ANGLED PUSH-LEVER

Electrical Ratings

Usergroup	UL E178356			IEC	VDE
	B	C	D		
Rated Voltage	300V	-	300V	-	750V
Rated Current	16A	-	10A	-	24A
Wire Size	<i>solid</i> 28-14AWG <i>stranded</i> 28-14AWG	-	28-14AWG	-	0.5mm ² -2.5mm ² 0.5mm ² -2.5mm ²

Ordering Information

With Flat Lever

With Angled Lever

No. Poles	Length (mm)	Std. Pk.	Order #	Type #	Order #	Type #
1	9.70	100	38.4301	AK3011/1FD-7.5	38.4401	AK3011/1WD-7.5
2	17.20	100	38.4302	AK3011/2FD-7.5	38.4402	AK3011/2WD-7.5
3	24.70	100	38.4303	AK3011/3FD-7.5	38.4403	AK3011/3WD-7.5
4	32.20	50	38.4304	AK3011/4FD-7.5	38.4404	AK3011/4WD-7.5
5	39.70	50	38.4305	AK3011/5FD-7.5	38.4405	AK3011/5WD-7.5
6	47.20	50	38.4306	AK3011/6FD-7.5	38.4406	AK3011/6WD-7.5
7	54.70	50	38.4307	AK3011/7FD-7.5	38.4407	AK3011/7WD-7.5
8	62.20	50	38.4309	AK3011/8FD-7.5	38.4408	AK3011/8WD-7.5
9	69.70	50	38.4300	AK3011/9FD-7.5	38.4409	AK3011/9WD-7.5
10	77.20	50	38.4310	AK3011/10FD-7.5	38.4410	AK3011/10WD-7.5
11	84.70	50	38.4311	AK3011/11FD-7.5	38.4411	AK3011/11WD-7.5
12	92.20	50	38.4312	AK3011/12FD-7.5	38.4412	AK3011/12WD-7.5
13	99.70	20	38.4313	AK3011/13FD-7.5	38.4413	AK3011/13WD-7.5
14	107.20	20	38.4314	AK3011/14FD-7.5	38.4414	AK3011/14WD-7.5
15	114.70	20	38.4315	AK3011/15FD-7.5	38.4415	AK3011/15WD-7.5
16	122.20	20	38.4316	AK3011/16FD-7.5	38.4416	AK3011/16WD-7.5
17	129.70	20	38.4317	AK3011/18FD-7.5	38.4417	AK3011/17WD-7.5
18	137.20	20	38.4318	AK3011/18FD-7.5	38.4418	AK3011/18WD-7.5
19	144.70	20	38.4319	AK3011/19FD-7.5	38.4419	AK3011/19WD-7.5
20	152.20	10	38.4320	AK3011/20FD-7.5	38.4420	AK3011/20WD-7.5
21	159.70	10	38.4321	AK3011/21FD-7.5	38.4421	AK3011/21WD-7.5
22	167.20	10	38.4322	AK3011/22FD-7.5	38.4422	AK3011/22WD-7.5
23	174.70	10	38.4323	AK3011/23FD-7.5	38.4423	AK3011/23WD-7.5
24	182.20	10	38.4324	AK3011/24FD-7.5	38.4424	AK3011/24WD-7.5

Material Specifications

Tension Spring	Stainless Steel
Solder Tab	Copper Alloy
Insulating Material	PA 6.6
Flammability Class	UL94V-0
Operating Temperature	-30°C - +105°C

Wave Solder Process

Soldering Temperature	265°C
Peak Soldering Time	3-10s

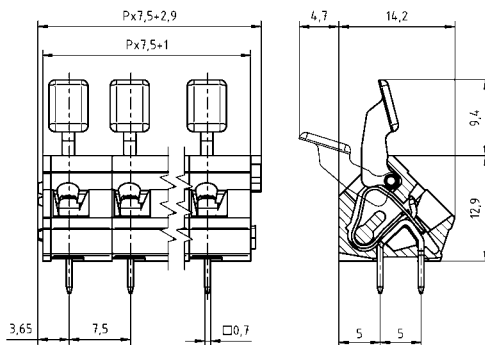
Installation Data

Stripping Length	6mm
PCB Hole Size	1.1mm

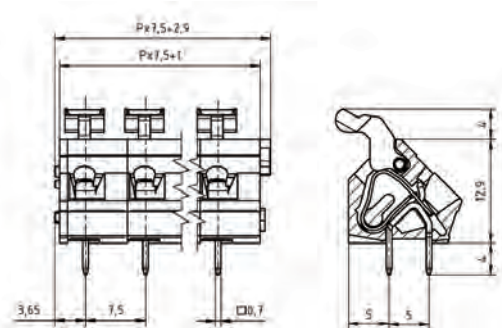
Other Colors Available

- GREEN, RAL 6018
- ORANGE, RAL 2011
- BLUE, RAL 5015

Dimensions (mm) - with flat push-lever



Dimensions (mm) - with angled push-lever



PCB Tension Spring Terminal

10.00 mm Pin Spacing

- 45° Wire Entry
- Tension Spring Technology
- Modular
- Various Colors
- Standard Color: Light Gray



AK3000/xx-10.0

WITHOUT LEVER

AK3001/xxKD-10.0

WITH GROOVED PUSH-LEVER

Electrical Ratings

Usergroup	UL US E178356			IEC	VDE
	B	C	D	-	
Rated Voltage	300V	300V	-	1000V	
Rated Current	15A	15A	-	24A	
Wire Size	<i>solid</i>	28-14AWG	28-14AWG	0.5mm ² -2.5mm ²	
	<i>stranded</i>	28-14AWG	28-14AWG	0.5mm ² -2.5mm ²	

Ordering Information

Without Lever

With Grooved Lever

No. Poles	Length (mm)	Std. Pack	Order #	Type #	Order #	Type #
1	7.20	100	38.5101	AK3000/1-10.0	38.5201	AK3011/1KD-10.0
2	17.20	100	38.5102	AK3000/2-10.0	38.5202	AK3011/2KD-10.0
3	27.20	100	38.5103	AK3000/3-10.0	38.5203	AK3011/3KD-10.0
4	37.20	50	38.5104	AK3000/4-10.0	38.5204	AK3011/4KD-10.0
5	47.20	50	38.5105	AK3000/5-10.0	38.5205	AK3011/5KD-10.0
6	57.20	50	38.5106	AK3000/6-10.0	38.5206	AK3011/6KD-10.0
7	67.20	50	38.5107	AK3000/7-10.0	38.5207	AK3011/7KD-10.0
8	77.20	50	38.5108	AK3000/8-10.0	38.5208	AK3011/8KD-10.0
9	87.20	50	38.5109	AK3000/9-10.0	38.5209	AK3011/9KD-10.0
10	97.20	50	38.5110	AK3000/10-10.0	38.5210	AK3011/10KD-10.0
11	107.20	50	38.5111	AK3000/11-10.0	38.5211	AK3011/11KD-10.0
12	117.20	50	38.5112	AK3000/12-10.0	38.5212	AK3011/12KD-10.0
13	127.20	20	38.5113	AK3000/13-10.0	38.5213	AK3011/13KD-10.0
14	137.20	20	38.5114	AK3000/14-10.0	38.5214	AK3011/14KD-10.0
15	147.20	20	38.5115	AK3000/15-10.0	38.5215	AK3011/15KD-10.0
16	157.20	20	38.5116	AK3000/16-10.0	38.5216	AK3011/16KD-10.0
17	167.20	20	38.5117	AK3000/18-10.0	38.5217	AK3011/17KD-10.0
18	177.20	20	38.5118	AK3000/18-10.0	38.5218	AK3011/18KD-10.0
19	187.20	20	38.5119	AK3000/19-10.0	38.5219	AK3011/19KD-10.0
20	197.20	10	38.5120	AK3000/20-10.0	38.5220	AK3011/20KD-10.0
21	207.20	10	38.5121	AK3000/21-10.0	38.5221	AK3011/21KD-10.0
22	217.20	10	38.5122	AK3000/22-10.0	38.5222	AK3011/22KD-10.0
23	227.20	10	38.5123	AK3000/23-10.0	38.5223	AK3011/23KD-10.0
24	237.20	10	38.5124	AK3000/24-10.0	38.5224	AK3011/24KD-10.0

Material Specifications

Tension Spring	Stainless Steel
Solder Tab	Copper Alloy
Insulating Material	PA 6.6
Flammability Class	UL94V-0
Operating Temperature	-30°C - +105°C

Wave Solder Process

Soldering Temperature	265°C
Peak Soldering Time	3-10s

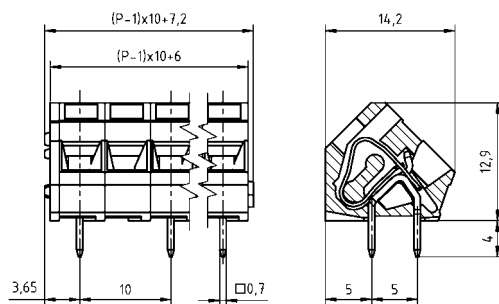
Installation Data

Stripping Length	6mm
PCB Hole Size	1.1mm

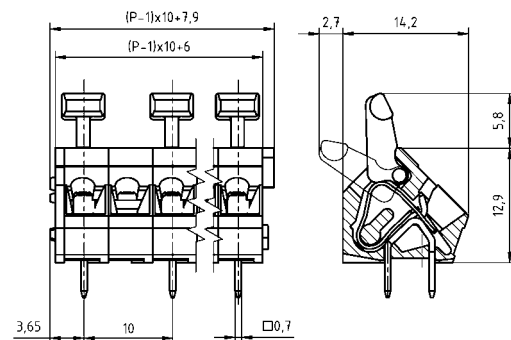
Other Colors Available

- GREEN, RAL 6018
- ORANGE, RAL 2011
- BLUE, RAL 5015

Dimensions (mm) - without lever



Dimensions (mm) - with grooved push-lever



PUSH-IN

PCB POWER TERMINALS
PUSH-IN

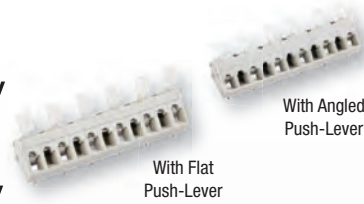
TENSION SPRING

PLUGGABLE
PUSH-IN

PCB Tension Spring Terminal

10.00 mm Pin Spacing

- 45° Wire Entry
- Tension Spring Technology
- Modular
- Various Colors
- Standard Color: Light Gray



AK3001/xxFD-10.0
WITH FLAT PUSH-LEVER

AK3001/xxWD-10.0
WITH ANGLED PUSH-LEVER

Electrical Ratings

Usergroup	B		C	D	IEC	VDE
	300V	300V	300V	-	750V	-
Rated Current	15A	15A	15A	-	24A	-
Wire Size	<i>solid</i>	28-14AWG	28-14AWG	-	0.5mm ² -2.5mm ²	-
	<i>stranded</i>	28-14AWG	28-14AWG	-	0.5mm ² -2.5mm ²	-



Ordering Information

With Flat Lever

With Angled Lever

No. Poles	Length (mm)	Std. Pk.	Order #	Type #	Order #	Type #
1	7.20	100	38.5301	AK3001/1FD-10.0	38.5401	AK3001/1WD-10.0
2	17.20	100	38.5302	AK3001/2FD-10.0	38.5402	AK3001/2WD-10.0
3	27.20	100	38.5303	AK3001/3FD-10.0	38.5403	AK3001/3WD-10.0
4	37.20	50	38.5304	AK3001/4FD-10.0	38.5404	AK3001/4WD-10.0
5	47.20	50	38.5305	AK3001/5FD-10.0	38.5405	AK3001/5WD-10.0
6	57.20	50	38.5306	AK3001/6FD-10.0	38.5406	AK3001/6WD-10.0
7	67.20	50	38.5307	AK3001/7FD-10.0	38.5407	AK3001/7WD-10.0
8	77.20	50	38.5308	AK3001/8FD-10.0	38.5408	AK3001/8WD-10.0
9	87.20	50	38.5309	AK3001/9FD-10.0	38.5409	AK3001/9WD-10.0
10	97.20	50	38.5310	AK3001/10FD-10.0	38.5410	AK3001/10WD-10.0
11	107.20	50	38.5311	AK3001/11FD-10.0	38.5401	AK3001/11WD-10.0
12	117.20	50	38.5312	AK3001/12FD-10.0	38.5412	AK3001/12WD-10.0
13	127.20	20	38.5313	AK3001/13FD-10.0	38.5413	AK3001/13WD-10.0
14	137.20	20	38.5314	AK3001/14FD-10.0	38.5414	AK3001/14WD-10.0
15	147.20	20	38.5315	AK3001/15FD-10.0	38.5415	AK3001/15WD-10.0
16	167.20	20	38.5316	AK3001/16FD-10.0	38.5416	AK3001/16WD-10.0
17	177.20	20	38.5316	AK3001/18FD-10.0	38.5417	AK3001/17WD-10.0
18	187.20	20	38.5318	AK3001/18FD-10.0	38.5418	AK3001/18WD-10.0
19	197.20	20	38.5319	AK3001/19FD-10.0	38.5419	AK3001/19WD-10.0
20	107.20	10	38.5320	AK3001/20FD-10.0	38.5420	AK3001/20WD-10.0
21	207.20	10	38.5321	AK3001/21FD-10.0	38.5421	AK3001/21WD-10.0
22	217.20	10	38.5322	AK3001/22FD-10.0	38.5422	AK3001/22WD-10.0
23	227.20	10	38.5323	AK3001/23FD-10.0	38.5423	AK3001/23WD-10.0
24	237.20	10	38.5324	AK3001/24FD-10.0	38.5424	AK3001/24WD-10.0

Material Specifications

Tension Spring	Stainless Steel
Solder Tab	Copper Alloy
Insulating Material	PA 6.6
Flammability Class	UL94V-0
Operating Temperature	-30°C - +105°C

Wave Solder Process

Soldering Temperature	265°C
Peak Soldering Time	3-10s

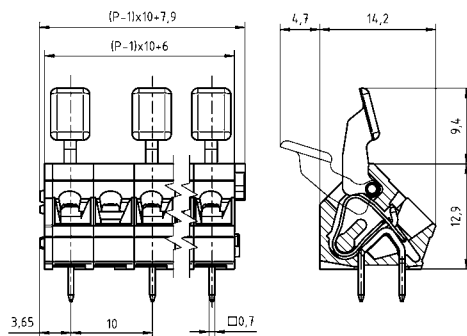
Installation Data

Stripping Length	6mm
PCB Hole Size	1.1mm

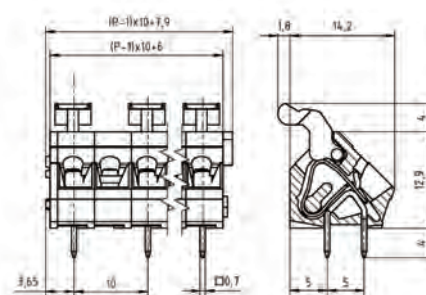
Other Colors Available

- GREEN, RAL 6018
- ORANGE, RAL 2011
- BLUE, RAL 5015

Dimensions (mm) - with flat push-lever



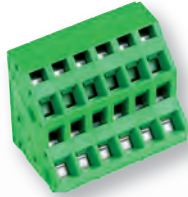
Dimensions (mm) - with angled push-lever



PCB Tension Spring Terminal

5.00 / 5.08 mm Pin Spacing

- Double Level
- 45° Wire Entry
- Tension Spring Technology
- Standard Color: Green



AK3750/xx-5.0
AKZ3750/xx-5.08

Electrical Ratings

		UL E178356		IEC	VDE
Usergroup		B	C	D	—
		300V	—	300V	250V
Rated Current		16A	—	10A	12A
Wire Size	<i>solid</i>	28-14AWG	—	28-14AWG	0.5mm ² -2.5mm ²
	<i>stranded</i>	28-14AWG	—	28-14AWG	0.5mm ² -2.5mm ²

Ordering Information (5.00 mm Spacing)

Poles	Length	Std. Pack	Order #	Type #
1	6.70	100	38.3101	AK3750/1-5.00
2	11.70	100	38.3102	AK3750/2-5.00
3	16.70	100	38.3103	AK3750/3-5.00
4	21.70	50	38.3104	AK3750/4-5.00
5	26.70	50	38.3105	AK3750/5-5.00
6	31.70	50	38.3106	AK3750/6-5.00
7	36.70	50	38.3107	AK3750/7-5.00
8	41.70	50	38.3108	AK3750/8-5.00
9	46.70	50	38.3109	AK3750/9-5.00
10	51.70	50	38.3110	AK3750/10-5.00
11	56.70	50	38.3111	AK3750/11-5.00
12	61.70	50	38.3112	AK3750/12-5.00

Ordering Information (5.08 mm Spacing)

Poles	Length	Std. Pack	Order #	Type #
1	6.70	100	38.3501	AKZ3750/1-5.08
2	11.70	100	38.3502	AKZ3750/2-5.08
3	16.70	100	38.3503	AKZ3750/3-5.08
4	21.70	50	38.3504	AKZ3750/4-5.08
5	26.70	50	38.3505	AKZ3750/5-5.08
6	31.70	50	38.3506	AKZ3750/6-5.08
7	36.70	50	38.3507	AKZ3750/7-5.08
8	41.70	50	38.3508	AKZ3750/8-5.08
9	46.70	50	38.3509	AKZ3750/9-5.08
10	51.70	50	38.3510	AKZ3750/10-5.08
11	56.70	50	38.3511	AKZ3750/11-5.08
12	61.70	50	38.3512	AKZ3750/12-5.08

Material Specifications

Tension Spring	Stainless Steel
Solder Tab	Copper Alloy
Insulating Material	PA 6.6
Flammability Class	UL94V-0
Operating Temperature	-30°C - +105°C

Wave Solder Process

Soldering Temperature	265°C
Peak Soldering Time	3-4s

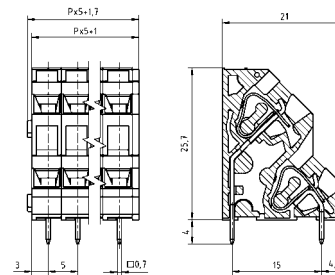
Installation Data

Stripping Length	6mm
PCB Hole Size	1.3mm

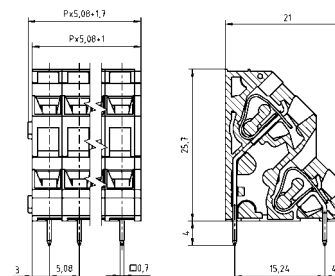
Other Colors Available

Light GRAY, RAL 7042

Dimensions 5.00 (mm)



Dimensions 5.08 (mm)



PUSH-IN

PCB POWER TERMINALS
PUSH-IN

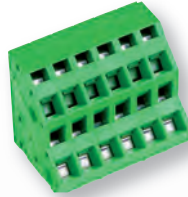
TENSION SPRING

PLUGGABLE
PUSH-IN

PCB Tension Spring Terminal

5.00 / 5.08 mm Pin Spacing

- Double Level
- 45° Wire Entry
- Tension Spring Technology
- Standard Color: Green



AK3750/xxVP-5.0
AKZ3750/xxVP-5.08

PUSH-IN
PCB POWER TERMINALS
PUSH-IN

TENSION SPRING

PLUGGABLE
PUSH-IN

Electrical Ratings

Usergroup	UL E178356			IEC VDE	
	B	C	D	-	
Rated Voltage	300V	-	300V	250V	
Rated Current	16A	-	10A	12A	
Wire Size	<i>solid</i>	28-14AWG	-	0.5mm ² -2.5mm ²	
	<i>stranded</i>	28-14AWG	-	0.5mm ² -2.5mm ²	

Ordering Information (5.00 mm Spacing)

Poles	Length	Std. Pack	Order #	Type #
1	6.70	100	38.3201	AK3750/1VP-5.00
2	11.70	100	38.3202	AK3750/2VP-5.00
3	16.70	100	38.3203	AK3750/3VP-5.00
4	21.70	50	38.3204	AK3750/4VP-5.00
5	26.70	50	38.3205	AK3750/5VP-5.00
6	31.70	50	38.3206	AK3750/6VP-5.00
7	36.70	50	38.3207	AK3750/7VP-5.00
8	41.70	50	38.3208	AK3750/8VP-5.00
9	46.70	50	38.3209	AK3750/9VP-5.00
10	51.70	50	38.3210	AK3750/10VP-5.00
11	56.70	50	38.3211	AK3750/11VP-5.00
12	61.70	50	38.3212	AK3750/12VP-5.00

Ordering Information (5.08 mm Spacing)

Poles	Length	Std. Pack	Order #	Type #
1	6.70	100	38.3601	AKZ3750/1VP-5.08
2	11.70	100	38.3602	AKZ3750/2VP-5.08
3	16.70	100	38.3603	AKZ3750/3VP-5.08
4	21.70	50	38.3604	AKZ3750/4VP-5.08
5	26.70	50	38.3605	AKZ3750/5VP-5.08
6	31.70	50	38.3606	AKZ3750/6VP-5.08
7	36.70	50	38.3607	AKZ3750/7VP-5.08
8	41.70	50	38.3608	AKZ3750/8VP-5.08
9	46.70	50	38.3609	AKZ3750/9VP-5.08
10	51.70	50	38.3610	AKZ3750/10VP-5.08
11	56.70	50	38.3611	AKZ3750/11VP-5.08
12	61.70	50	38.3612	AKZ3750/12VP-5.08

Material Specifications

Tension Spring	Stainless Steel
Solder Tab	Copper Alloy
Insulating Material	PA 6.6
Flammability Class	UL94V-0
Operating Temperature	-30°C - +105°C

Wave Solder Process

Soldering Temperature	265°C
Peak Soldering Time	3-4s

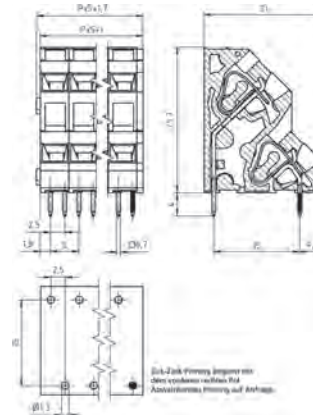
Installation Data

Stripping Length	6mm
PCB Hole Size	1.3mm

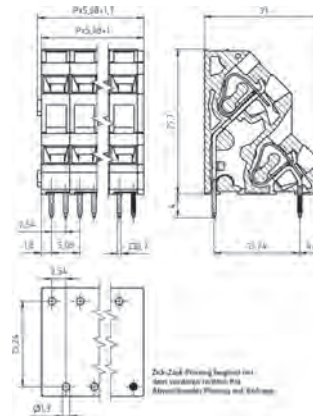
Other Colors Available

Light GRAY, RAL 7042

Dimensions 5.00 (mm)



Dimensions 5.08 (mm)



Pluggable Push-In

3.50 / 3.81 mm Pin Spacing

- Pluggable Push-in Technology
- Standard Color: Dark Gray



AK4551/xxKD-3.5
AKZ4551/xxKD-3.81

Electrical Ratings		UL US E178356		IEC	VDE
Usergroup	B	C	D	-	
	300V	-	300V	160V	
Rated Current	10A	-	10A	10A	
Wire Size	<i>solid</i> 26-16AWG	-	26-16AWG	0.14mm ² (3A) - 2.5mm ² (10A)	
	<i>stranded</i> 26-16AWG	-	26-16AWG	0.14mm ² (3A) - 1.5mm ² (10A)	

Ordering Information (3.50 mm Spacing)

Poles	Length	Std. Pack	Order #	Type #
2	7.00	100	39.1102	AK4551/2KD-3.50
3	10.50	100	39.1103	AK4551/3KD-3.50
4	14.00	50	39.1104	AK4551/4KD-3.50
5	17.50	50	39.1105	AK4551/5KD-3.50
6	21.00	50	39.1106	AK4551/6KD-3.50
7	24.50	50	39.1107	AK4551/7KD-3.50
8	28.00	50	39.1108	AK4551/8KD-3.50
9	31.50	50	39.1109	AK4551/9KD-3.50
10	35.00	50	39.1110	AK4551/10KD-3.50
11	38.50	50	39.1111	AK4551/11KD-3.50
12	42.00	50	39.1112	AK4551/12KD-3.50
13	45.50	20	39.1113	AK4551/13KD-3.50
14	49.00	20	39.1114	AK4551/14KD-3.50
15	52.50	20	39.1115	AK4551/15KD-3.50
16	56.00	20	39.1116	AK4551/16KD-3.50
17	59.50	20	39.1117	AK4551/17KD-3.50
18	63.00	20	39.1118	AK4551/18KD-3.50
19	66.50	20	39.1119	AK4551/19KD-3.50
20	70.00	20	39.1120	AK4551/20KD-3.50

Ordering Information (3.81 mm Spacing)

Poles	Length	Std. Pack	Order #	Type #
2	7.62	100	39.2102	AKZ4551/2KD-3.81
3	11.43	100	39.2103	AKZ4551/3KD-3.81
4	15.24	50	39.2104	AKZ4551/4KD-3.81
5	19.05	50	39.2105	AKZ4551/5KD-3.81
6	22.86	50	39.2106	AKZ4551/6KD-3.81
7	26.67	50	39.2107	AKZ4551/7KD-3.81
8	30.48	50	39.2108	AKZ4551/8KD-3.81
9	34.29	50	39.2109	AKZ4551/9KD-3.81
10	38.10	50	39.2110	AKZ4551/10KD-3.81
11	41.91	50	39.2111	AKZ4551/11KD-3.81
12	45.72	50	39.2112	AKZ4551/12KD-3.81
13	49.53	20	39.2113	AKZ4551/13KD-3.81
14	53.34	20	39.2114	AKZ4551/14KD-3.81
15	57.15	20	39.2115	AKZ4551/15KD-3.81
16	60.96	20	39.2116	AKZ4551/16KD-3.81
17	64.77	20	39.2117	AKZ4551/17KD-3.81
18	68.58	20	39.2118	AKZ4551/18KD-3.81
19	72.39	20	39.2119	AKZ4551/19KD-3.81
20	76.20	20	39.2120	AKZ4551/20KD-3.81

Material Specifications

Spring Clamp	Stainless Steel
Contact Spring	Copper Alloy
Insulating Material	PA 6.6
Flammability Class	UL94V-0
Operating Temperature	-30°C - +105°C

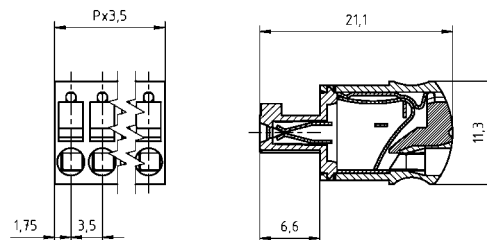
Installation Data

Stripping Length	11mm
PCB Hole Size	-

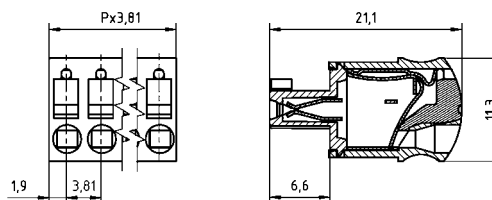
Other Colors Available

 GREEN, RAL 6018

Dimensions 3.50 (mm)



Dimensions 3.81 (mm)



Pluggable Push-In

3.50 / 3.81 mm Pin Spacing

- Pluggable Push-in Technology
- Screw Flange
- Standard Color: Dark Gray



AK4551/xxFKD-3.5
AKZ4551/xxFKD-3.81

PUSH-IN

PCB POWER TERMINALS
PUSH-IN

TENSION SPRING

PLUGGABLE
PUSH-IN

Electrical Ratings

Usergroup	UL [®] E178356		IEC VDE	
	B	C	D	-
Rated Voltage	300V	-	300V	160V
Rated Current	10A	-	10A	10A
Wire Size	<i>solid</i> 26-16AWG <i>stranded</i> 26-16AWG	-	26-16AWG 26-16AWG	0.14mm ² (3A) - 2.5mm ² (10A) 0.14mm ² (3A) - 1.5mm ² (10A)

Ordering Information (3.50 mm Spacing)

Poles	Length	Std. Pack	Order #	Type #
2	17.00	100	39.1202	AK4551/2FKD-3.50
3	20.50	100	39.1203	AK4551/3FKD-3.50
4	24.00	50	39.1204	AK4551/4FKD-3.50
5	27.50	50	39.1205	AK4551/5FKD-3.50
6	31.00	50	39.1206	AK4551/6FKD-3.50
7	34.50	50	39.1207	AK4551/7FKD-3.50
8	38.00	50	39.1208	AK4551/8FKD-3.50
9	41.50	50	39.1209	AK4551/9FKD-3.50
10	45.00	50	39.1210	AK4551/10FKD-3.50
11	48.50	50	39.1211	AK4551/11FKD-3.50
12	52.00	50	39.1212	AK4551/12FKD-3.50
13	55.50	20	39.1213	AK4551/13FKD-3.50
14	59.00	20	39.1214	AK4551/14FKD-3.50
15	62.50	20	39.1215	AK4551/15FKD-3.50
16	66.00	20	39.1216	AK4551/16FKD-3.50
17	69.50	20	39.1217	AK4551/17FKD-3.50
18	73.00	20	39.1218	AK4551/18FKD-3.50
19	76.50	20	39.1219	AK4551/19FKD-3.50
20	80.00	20	39.1220	AK4551/20FKD-3.50

Ordering Information (3.81 mm Spacing)

Poles	Length	Std. Pack	Order #	Type #
2	17.62	100	39.2202	AKZ4551/2FKD-3.81
3	21.43	100	39.2203	AKZ4551/3FKD-3.81
4	25.24	50	39.2204	AKZ4551/4FKD-3.81
5	29.05	50	39.2205	AKZ4551/5FKD-3.81
6	32.86	50	39.2206	AKZ4551/6FKD-3.81
7	36.67	50	39.2207	AKZ4551/7FKD-3.81
8	40.48	50	39.2208	AKZ4551/8FKD-3.81
9	44.29	50	39.2209	AKZ4551/9FKD-3.81
10	48.10	50	39.2210	AKZ4551/10FKD-3.81
11	51.91	50	39.2211	AKZ4551/11FKD-3.81
12	55.72	50	39.2212	AKZ4551/12FKD-3.81
13	59.53	20	39.2213	AKZ4551/13FKD-3.81
14	63.34	20	39.2214	AKZ4551/14FKD-3.81
15	67.15	20	39.2215	AKZ4551/15FKD-3.81
16	70.96	20	39.2216	AKZ4551/16FKD-3.81
17	74.77	20	39.2217	AKZ4551/17FKD-3.81
18	78.58	20	39.2218	AKZ4551/18FKD-3.81
19	82.39	20	39.2219	AKZ4551/19FKD-3.81
20	86.20	20	39.2220	AKZ4551/20FKD-3.81

Material Specifications

Spring Clamp	Stainless Steel
Contact Spring	Copper Alloy
Insulating Material	PA 6.6
Flammability Class	UL94V-0
Operating Temperature	-30°C - +105°C

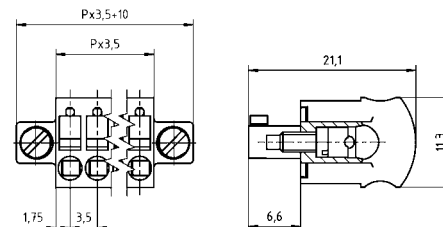
Installation Data

Stripping Length	11mm
PCB Hole Size	-

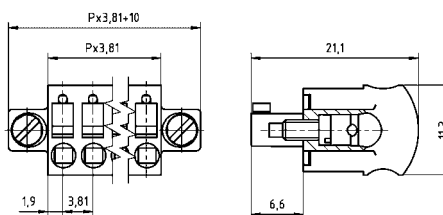
Other Colors Available

GREEN, RAL 6018

Dimensions 3.50 (mm)



Dimensions 3.81 (mm)



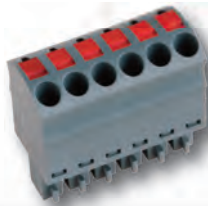
AK4561/xxKD-3.5

AKZ4561/xxKD-3.81

Pluggable Push-In

3.50 / 3.81 mm Pin Spacing

- Pluggable Push-in Technology
- Standard Color: Dark Gray

**Electrical Ratings**

	UL US E178356			IEC VDE	
	B	C	D	-	
Usergroup	300V	-	300V	160V	
Rated Current	10A	-	10A	10A	
Wire Size	<i>solid</i> 26-16AWG	-	26-16AWG	0.14mm ² (3A) - 2.5mm ² (10A)	
	<i>stranded</i> 26-16AWG	-	26-16AWG	0.14mm ² (3A) - 1.5mm ² (10A)	

Ordering Information (3.50 mm Spacing)

Poles	Length	Std. Pack	Order #	Type #
2	7.00	100	39.1302	AK4561/2KD-3.50
3	10.50	100	39.1303	AK4561/3KD-3.50
4	14.00	50	39.1304	AK4561/4KD-3.50
5	17.50	50	39.1305	AK4561/5KD-3.50
6	21.00	50	39.1306	AK4561/6KD-3.50
7	24.50	50	39.1307	AK4561/7KD-3.50
8	28.00	50	39.1308	AK4561/8KD-3.50
9	31.50	50	39.1309	AK4561/9KD-3.50
10	35.00	50	39.1310	AK4561/10KD-3.50
11	38.50	50	39.1311	AK4561/11KD-3.50
12	42.00	50	39.1312	AK4561/12KD-3.50
13	45.50	20	39.1313	AK4561/13KD-3.50
14	49.00	20	39.1314	AK4561/14KD-3.50
15	52.50	20	39.1315	AK4561/15KD-3.50
16	56.00	20	39.1316	AK4561/16KD-3.50
17	59.50	20	39.1317	AK4561/17KD-3.50
18	63.00	20	39.1318	AK4561/18KD-3.50
19	66.50	20	39.1319	AK4561/19KD-3.50
20	70.00	20	39.1320	AK4561/20KD-3.50

Ordering Information (3.81 mm Spacing)

Poles	Length	Std. Pack	Order #	Type #
2	7.62	100	39.2302	AKZ4561/2KD-3.81
3	11.43	100	39.2303	AKZ4561/3KD-3.81
4	15.24	50	39.2304	AKZ4561/4KD-3.81
5	19.05	50	39.2305	AKZ4561/5KD-3.81
6	22.86	50	39.2306	AKZ4561/6KD-3.81
7	26.67	50	39.2307	AKZ4561/7KD-3.81
8	30.48	50	39.2308	AKZ4561/8KD-3.81
9	34.29	50	39.2309	AKZ4561/9KD-3.81
10	38.10	50	39.2310	AKZ4561/10KD-3.81
11	41.91	50	39.2311	AKZ4561/11KD-3.81
12	45.72	50	39.2312	AKZ4561/12KD-3.81
13	49.53	20	39.2313	AKZ4561/13KD-3.81
14	53.34	20	39.2314	AKZ4561/14KD-3.81
15	57.15	20	39.2315	AKZ4561/15KD-3.81
16	60.96	20	39.2316	AKZ4561/16KD-3.81
17	64.77	20	39.2317	AKZ4561/17KD-3.81
18	68.58	20	39.2318	AKZ4561/18KD-3.81
19	72.39	20	39.2319	AKZ4561/19KD-3.81
20	76.20	20	39.2320	AKZ4561/20KD-3.81

Material Specifications

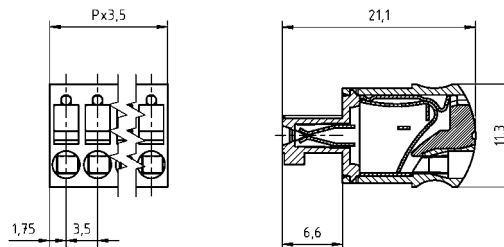
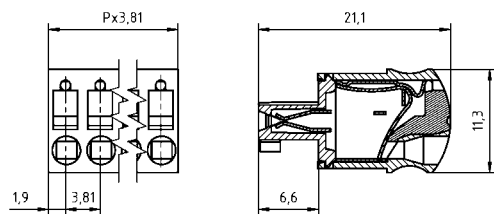
Spring Clamp	Stainless Steel
Contact Spring	Copper Alloy
Insulating Material	PA 6.6
Flammability Class	UL94V-0
Operating Temperature	-30°C - +105°C

Installation Data

Stripping Length	11mm
PCB Hole Size	-

Other Colors Available

 **GREEN, RAL 6018**

Dimensions 3.50 (mm)**Dimensions 3.81 (mm)**

PUSH-IN

PCB POWER TERMINALS
PUSH-IN

TENSION SPRING

PLUGGABLE
PUSH-IN

Pluggable Push-In

3.50 / 3.81 mm Pin Spacing

- Pluggable Push-in Technology
- Screw Flange
- Standard Color: Dark Gray



AK4561/xxFKD-3.5

AKZ4561/xxFKD-3.81

PUSH-IN

PCB POWER TERMINALS
PUSH-IN

TENSION SPRING

PLUGGABLE
PUSH-IN

Electrical Ratings

Usergroup	UL E178356		IEC	VDE
	B	C		
	300V	—	300V	160V
Rated Current	10A	—	10A	10A
Wire Size	<i>solid</i> 26-16AWG <i>stranded</i> 26-16AWG	—	26-16AWG 26-16AWG	0.14mm ² (3A) - 2.5mm ² (10A) 0.14mm ² (3A) - 1.5mm ² (10A)

Ordering Information (3.50 mm Spacing)

Poles	Length	Std. Pack	Order #	Type #
2	17.00	100	39.1402	AK4561/2FKD-3.50
3	20.50	100	39.1403	AK4561/3FKD-3.50
4	24.00	50	39.1404	AK4561/4FKD-3.50
5	27.50	50	39.1405	AK4561/5FKD-3.50
6	31.00	50	39.1406	AK4561/6FKD-3.50
7	34.50	50	39.1407	AK4561/7FKD-3.50
8	38.00	50	39.1408	AK4561/8FKD-3.50
9	41.50	50	39.1409	AK4561/9FKD-3.50
10	45.00	50	39.1410	AK4561/10FKD-3.50
11	48.50	50	39.1411	AK4561/11FKD-3.50
12	52.00	50	39.1412	AK4561/12FKD-3.50
13	55.50	20	39.1413	AK4561/13FKD-3.50
14	59.00	20	39.1414	AK4561/14FKD-3.50
15	62.50	20	39.1415	AK4561/15FKD-3.50
16	66.00	20	39.1416	AK4561/16FKD-3.50
17	69.50	20	39.1417	AK4561/17FKD-3.50
18	73.00	20	39.1418	AK4561/18FKD-3.50
19	76.50	20	39.1419	AK4561/19FKD-3.50
20	80.00	20	39.1420	AK4561/20FKD-3.50

Ordering Information (3.81 mm Spacing)

Poles	Length	Std. Pack	Order #	Type #
2	12.62	100	39.2402	AKZ4551/2KD-3.81
3	16.43	100	39.2403	AKZ4551/3KD-3.81
4	20.24	50	39.2404	AKZ4551/4KD-3.81
5	24.05	50	39.2405	AKZ4551/5KD-3.81
6	27.86	50	39.2406	AKZ4551/6KD-3.81
7	31.67	50	39.2407	AKZ4551/7KD-3.81
8	35.48	50	39.2408	AKZ4551/8KD-3.81
9	39.29	50	39.2409	AKZ4551/9KD-3.81
10	43.10	50	39.2410	AKZ4551/10KD-3.81
11	46.91	50	39.2411	AKZ4551/11KD-3.81
12	50.72	50	39.2412	AKZ4551/12KD-3.81
13	54.53	20	39.2413	AKZ4551/13KD-3.81
14	58.34	20	39.2414	AKZ4551/14KD-3.81
15	62.15	20	39.2415	AKZ4551/15KD-3.81
16	65.96	20	39.2416	AKZ4551/16KD-3.81
17	69.77	20	39.2417	AKZ4551/17KD-3.81
18	73.58	20	39.2418	AKZ4551/18KD-3.81
19	77.39	20	39.2419	AKZ4551/19KD-3.81
20	81.20	20	39.2420	AKZ4551/20KD-3.81

Material Specifications

Spring Clamp	Stainless Steel
Contact Spring	Copper Alloy
Insulating Material	PA 6.6
Flammability Class	UL94V-0
Operating Temperature	-30°C - +105°C

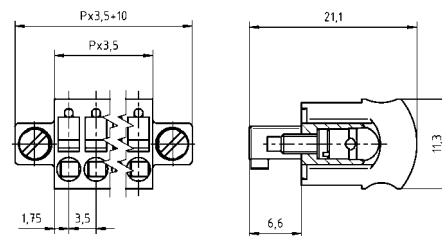
Installation Data

Stripping Length	11mm
PCB Hole Size	—

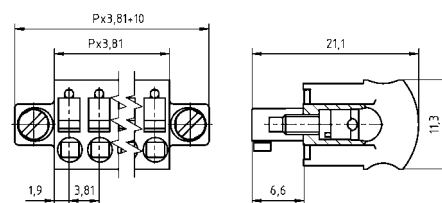
Other Colors Available

GREEN, RAL 6018

Dimensions 3.50 (mm)



Dimensions 3.81 (mm)



AK4951/xxKD-5.00

AKZ4951/xxKD-5.08

Pluggable Push-In

5.00 / 5.08 mm Pin Spacing

- Pluggable Push-in Technology
- Standard Color: Dark Gray



Electrical Ratings		UL US E178356		IEC	VDE
Usergroup		B	C	D	—
		300V	—	300V	250V
Rated Current		10A	—	10A	12A
Wire Size	<i>solid</i>	26-12AWG	—	26-12AWG	0.2mm ² - 2.5mm ²
	<i>stranded</i>	26-12AWG	—	26-12AWG	0.2mm ² - 2.5mm ²

Ordering Information (5.00 mm Spacing)

Poles	Length	Std. Pack	Order #	Type #
2	10.00	100	39.3102	AK4951/2KD-5.00
3	15.00	100	39.3103	AK4951/3KD-5.00
4	20.00	50	39.3104	AK4951/4KD-5.00
5	25.00	50	39.3105	AK4951/5KD-5.00
6	30.00	50	39.3106	AK4951/6KD-5.00
7	35.00	50	39.3107	AK4951/7KD-5.00
8	40.00	50	39.3108	AK4951/8KD-5.00
9	45.00	50	39.3109	AK4951/9KD-5.00
10	50.00	50	39.3110	AK4951/10KD-5.00
11	55.00	50	39.3111	AK4951/11KD-5.00
12	60.00	50	39.3112	AK4951/12KD-5.00
13	65.00	20	39.3113	AK4951/13KD-5.00
14	70.00	20	39.3114	AK4951/14KD-5.00
15	75.00	20	39.3115	AK4951/15KD-5.00
16	80.00	20	39.3116	AK4951/16KD-5.00
17	85.00	20	39.3117	AK4951/17KD-5.00
18	90.00	20	39.3118	AK4951/18KD-5.00
19	95.00	20	39.3119	AK4951/19KD-5.00
20	100.00	20	39.3120	AK4951/20KD-5.00
21	105.00	20	39.3121	AK4951/21KD-5.00
22	110.00	20	39.3122	AK4951/22KD-5.00
23	115.00	20	39.3123	AK4951/23KD-5.00
24	120.00	20	39.3124	AK4951/24KD-5.00

Ordering Information (5.08 mm Spacing)

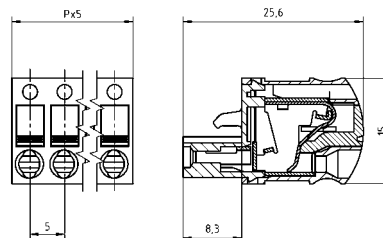
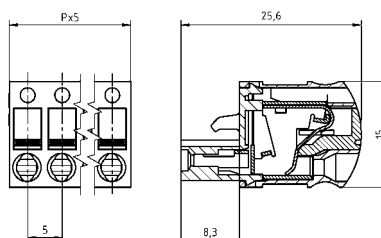
Poles	Length	Std. Pack	Order #	Type #
2	10.16	100	39.4102	AKZ4951/2KD-5.08
3	15.24	100	39.4103	AKZ4951/3KD-5.08
4	20.32	50	39.4104	AKZ4951/4KD-5.08
5	25.40	50	39.4105	AKZ4951/5KD-5.08
6	30.48	50	39.4106	AKZ4951/6KD-5.08
7	35.56	50	39.4107	AKZ4951/7KD-5.08
8	40.64	50	39.4108	AKZ4951/8KD-5.08
9	45.72	50	39.4109	AKZ4951/9KD-5.08
10	48.10	50	39.4110	AKZ4951/10KD-5.08
11	50.48	50	39.4111	AKZ4951/11KD-5.08
12	52.86	50	39.4112	AKZ4951/12KD-5.08
13	55.24	20	39.4113	AKZ4951/13KD-5.08
14	57.62	20	39.4114	AKZ4951/14KD-5.08
15	60.00	20	39.4115	AKZ4951/15KD-5.08
16	62.38	20	39.4116	AKZ4951/16KD-5.08
17	64.76	20	39.4117	AKZ4951/17KD-5.08
18	67.14	20	39.4118	AKZ4951/18KD-5.08
19	69.52	20	39.4119	AKZ4951/19KD-5.08
20	71.90	20	39.4120	AKZ4951/20KD-5.08
21	74.28	20	39.4121	AKZ4951/21KD-5.08
22	76.66	20	39.4122	AKZ4951/22KD-5.08
23	79.04	20	39.4123	AKZ4951/23KD-5.08
24	81.42	20	39.4124	AKZ4951/24KD-5.08

Material Specifications

Spring Clamp	Stainless Steel
Contact Spring	Copper Alloy
Insulating Material	PA 6.6
Flammability Class	UL94V-0
Operating Temperature	-30°C - +105°C

Installation Data

Stripping Length	12mm
PCB Hole Size	—

Other Colors Available
 **GREEN, RAL 6018**
Dimensions 5.00 (mm)**Dimensions 5.08 (mm)**

PUSH-IN

PCB POWER TERMINALS
PUSH-IN

TENSION SPRING

PLUGGABLE
PUSH-IN

Pluggable Push-In

5.00 / 5.08 mm Pin Spacing

- Pluggable Push-in Technology
- Screw Flange
- Standard Color: Dark Gray



AK4951/xxFKD-5.00

AKZ4951/xxFKD-5.08

PUSH-IN

PCB POWER TERMINALS
PUSH-IN

TENSION SPRING

PLUGGABLE
PUSH-IN

Electrical Ratings

Usergroup	UL E178356		IEC VDE	
	B	C	D	-
	300V	-	300V	250V
Rated Current	10A	-	10A	12A
Wire Size	<i>solid</i> 26-12AWG <i>stranded</i> 26-12AWG	-	26-12AWG 26-12AWG	0.2mm ² - 2.5mm ² 0.2mm ² - 2.5mm ²

Ordering Information (5.00 mm Spacing)

Poles	Length	Std. Pack	Order #	Type #
2	20.00	100	39.3202	AK4951/2KD-5.00
3	25.00	100	39.3203	AK4951/3KD-5.00
4	30.00	50	39.3204	AK4951/4KD-5.00
5	35.00	50	39.3205	AK4951/5KD-5.00
6	40.00	50	39.3206	AK4951/6KD-5.00
7	45.00	50	39.3207	AK4951/7KD-5.00
8	50.00	50	39.3208	AK4951/8KD-5.00
9	55.00	50	39.3209	AK4951/9KD-5.00
10	60.00	50	39.3210	AK4951/10KD-5.00
11	65.00	50	39.3211	AK4951/11KD-5.00
12	70.00	50	39.3212	AK4951/12KD-5.00
13	75.00	20	39.3213	AK4951/13KD-5.00
14	80.00	20	39.3214	AK4951/14KD-5.00
15	85.00	20	39.3215	AK4951/15KD-5.00
16	90.00	20	39.3216	AK4951/16KD-5.00
17	95.00	20	39.3217	AK4951/17KD-5.00
18	100.00	20	39.3218	AK4951/18KD-5.00
19	105.00	20	39.3219	AK4951/19KD-5.00
20	110.00	20	39.3220	AK4951/20KD-5.00
21	115.00	20	39.3221	AK4951/21KD-5.00
22	120.00	20	39.3222	AK4951/22KD-5.00
23	125.00	20	39.3223	AK4951/23KD-5.00
24	130.00	20	39.3224	AK4951/24KD-5.00

Ordering Information (5.08 mm Spacing)

Poles	Length	Std. Pack	Order #	Type #
2	20.16	100	39.4202	AKZ4951/2KD-5.08
3	25.24	100	39.4203	AKZ4951/3KD-5.08
4	30.32	50	39.4204	AKZ4951/4KD-5.08
5	35.40	50	39.4205	AKZ4951/5KD-5.08
6	40.48	50	39.4206	AKZ4951/6KD-5.08
7	45.56	50	39.4207	AKZ4951/7KD-5.08
8	50.64	50	39.4208	AKZ4951/8KD-5.08
9	55.72	50	39.4209	AKZ4951/9KD-5.08
10	60.80	50	39.4210	AKZ4951/10KD-5.08
11	65.88	50	39.4211	AKZ4951/11KD-5.08
12	70.96	50	39.4212	AKZ4951/12KD-5.08
13	76.04	20	39.4213	AKZ4951/13KD-5.08
14	81.12	20	39.4214	AKZ4951/14KD-5.08
15	86.20	20	39.4215	AKZ4951/15KD-5.08
16	91.28	20	39.4216	AKZ4951/16KD-5.08
17	96.36	20	39.4217	AKZ4951/17KD-5.08
18	101.44	20	39.4218	AKZ4951/18KD-5.08
19	106.52	20	39.4219	AKZ4951/19KD-5.08
20	111.60	20	39.4220	AKZ4951/20KD-5.08
21	116.68	20	39.4221	AKZ4951/21KD-5.08
22	121.76	20	39.4222	AKZ4951/22KD-5.08
23	126.84	20	39.4223	AKZ4951/23KD-5.08
24	131.92	20	39.4224	AKZ4951/24KD-5.08

Material Specifications

Spring Clamp	Stainless Steel
Contact Spring	Copper Alloy
Insulating Material	PA 6.6
Flammability Class	UL94V-0
Operating Temperature	-30°C - +105°C

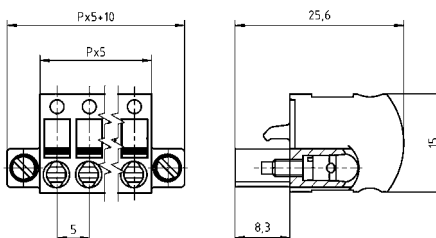
Installation Data

Stripping Length	12mm
PCB Hole Size	-

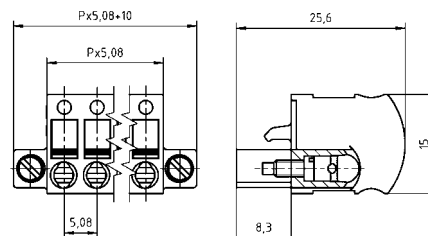
Other Colors Available

 GREEN, RAL 6018

Dimensions 5.00 (mm)



Dimensions 5.08 (mm)



INDEX

BY ORDER NUMBER

Order No.	Type No.	Page
38.11xx	AK3191/xx-2.5	16
38.12xx	AK3191/xxKD-2.5	16
38.13xx	AKZ3191/xx-2.54	17
38.14xx	AKZ3191/xxKD-2.54	17
38.25xx	AK3100/xx-5.0	18
38.26xx	AK3101/xxKD-5.0	18
38.27xx	AK3101/xxWD-5.0	19
38.21xx	AK3000/xx-5.0	20
38.22xx	AK3001/xxKD-5.0	20
38.23xx	AK3001/xxFD-5.0	21
38.24xx	AK3001/xxWD-5.0	21
38.31xx	AK3750/xx-5.0	26
38.32xx	AK3750/xxVP-5.0	27
38.35xx	AKZ3750/xx-5.08	26
38.36xx	AKZ3750/xxVP-5.08	27
38.41xx	AK3010/xx-7.5	22
38.42xx	AK3011/xxKD-7.5	22
38.43xx	AK3011/xxFD-7.5	23
38.44xx	AK3011/xxWD-7.5	23
38.51xx	AK3000/xx-10.0	24
38.52xx	AK3001/xxKD-10.0	24
38.53xx	AK3001/xxFD-10.0	25
38.54xx	AK3001/xxWD-10.0	25
39.11xx	AK4551/xxKD-3.50	28
39.12xx	AK4551/xxFKD-3.50	29
39.13xx	AK4561/xxKD-3.50	30
39.14xx	AK4561/xxFKD-3.50	31
39.21xx	AKZ4551/xxKD-3.81	28
39.22xx	AKZ4551/xxFKD-3.81	29
39.23xx	AKZ4561/xxKD-3.81	30
39.24xx	AKZ4561/xxFKD-3.81	31
39.31xx	AK4951/xxKD-5.00	32
39.32xx	AK4951/xxFKD-5.00	33
39.41xx	AKZ4951/xxKD-5.08	32
39.42xx	AKZ4951/xxFKD-5.08	33
39.510x	AK4191/xxKD-2.5	4
39.515x	AK4191/xxKDVP-2.5	4
39.520x	AK4291/xxKD-3.5	5
39.525x	AK4291/xxKDVP-3.5	5
39.530x	AKZ4791/xxKD-2.54-H	6
39.535x	AKZ4791/xxKD-2.54-V	6
39.540x	AKZ4701/xxKD-3.81-H	7
39.545x	AKZ4701/xxKD-3.81-V	7
39.560x	AK4100/xx-5.0	8
39.565x	AK4101/xxKD-5.0	8
39.57xx	AKZ4301/xxKD-5.08	9
39.810x	AK4200/xx-5.0-H	10
39.815x	AK4200/xx-5.0-V	10
39.830x	AK4200/xx-7.5-H	11
39.835x	AK4200/xx-7.5-V	11
39.840x	AK4210/xx-7.5-H	12
39.845x	AK4210/xx-7.5-V	12
39.850x	AK4210/xxVP-7.5-H	13
39.855x	AK4210/xxVP-7.5-V	13
39.860x	AK4210/xx-11.5-H	14
39.865x	AK4210/xx-11.5-V	14

BY TYPE NUMBER

Type No.	Order No.	Page
AK3000/xx-10.0	38.51xx	24
AK3000/xx-5.0	38.21xx	20
AK3001/xxFD-10.0	38.53xx	25
AK3001/xxFD-5.0	38.23xx	21
AK3001/xxKD-10.0	38.52xx	24
AK3001/xxKD-5.0	38.22xx	20
AK3001/xxWD-10.0	38.54xx	25
AK3001/xxWD-5.0	38.24xx	21
AK3010/xx-7.5	38.41xx	22
AK3011/xxFD-7.5	38.43xx	23
AK3011/xxKD-7.5	38.42xx	22
AK3011/xxWD-7.5	38.44xx	23
AK3100/xx-5.0	38.25xx	18
AK3101/xxKD-5.0	38.26xx	18
AK3101/xxWD-5.0	38.27xx	19
AK3191/xx-2.5	38.11xx	16
AK3191/xxKD-2.5	38.12xx	16
AK3750/xx-5.0	38.31xx	26
AK3750/xxVP-5.0	38.32xx	27
AK4100/xx-5.0	39.560x	8
AK4101/xxKD-5.0	39.565x	8
AK4191/xxKD-2.5	39.510x	4
AK4191/xxKDVP-2.5	39.515x	4
AK4200/xx-5.0-H	39.810x	10
AK4200/xx-5.0-V	39.815x	10
AK4200/xx-7.5-H	39.830x	11
AK4200/xx-7.5-V	39.835x	11
AK4210/xx-11.5-H	39.860x	14
AK4210/xx-11.5-V	39.865x	14
AK4210/xx-7.5-H	39.840x	12
AK4210/xx-7.5-V	39.845x	12
AK4210/xxVP-7.5-H	39.850x	13
AK4210/xxVP-7.5-V	39.855x	13
AK4291/xxKD-3.5	39.520x	5
AK4291/xxKDVP-3.5	39.525x	5
AK4551/xxFKD-3.50	39.12xx	29
AK4551/xxKD-3.50	39.11xx	28
AK4561/xxFKD-3.50	39.14xx	31
AK4561/xxKD-3.50	39.13xx	30
AK4951/xxFKD-5.00	39.32xx	33
AK4951/xxKD-5.00	39.31xx	32
AKZ3191/xx-2.54	38.13xx	17
AKZ3191/xxKD-2.54	38.14xx	17
AKZ3750/xx-5.08	38.35xx	26
AKZ3750/xxVP-5.08	38.36xx	27
AKZ4301/xxKD-5.08	39.57xx	9
AKZ4551/xxFKD-3.81	39.22xx	29
AKZ4551/xxKD-3.81	39.21xx	28
AKZ4561/xxFKD-3.81	39.24xx	31
AKZ4561/xxKD-3.81	39.23xx	30
AKZ4701/xxKD-3.81-H	39.540x	7
AKZ4701/xxKD-3.81-V	39.545x	7
AKZ4791/xxKD-2.54-H	39.530x	6
AKZ4791/xxKD-2.54-V	39.535x	6
AKZ4951/xxFKD-5.08	39.42xx	33
AKZ4951/xxKD-5.08	39.41xx	32

PUSH-IN

PCB POWER TERMINALS
PUSH-IN

TENSION SPRING

PLUGGABLE
PUSH-IN

STANDARD TERMS AND CONDITIONS OF SALE

TITLE - Title to the products of ALTECH shall remain with ALTECH until payment is made in full by Customer. Such reservation of title is for the purpose of securing the purchase price and shall not relieve Customer of the duty to inspect the products upon receipt, to notify ALTECH of any deficiencies or defects, and to exercise due care in the use, installation, operation, and maintenance of the products when on the premise of the Customer or under the control of the Customer. Notwithstanding any reservation of title by ALTECH, risk of loss shall pass to customer at any time of shipment.

SHIPMENT AND DELIVERY - All orders for destination in the mainland United States (less Hawaii, Alaska and non-continental United States possessions) will be shipped F.O.B. Flemington, N.J. All destination, shipping and other charges shall be paid by the Customer in accordance with ALTECH's then current shipping and billing practices.

Delivery dates given in the acceptance of any order are approximate. ALTECH shall not be liable for delays in delivery or in performance due to causes beyond its reasonable control including acts of God, acts of Customer, acts of civil or military authority, fires, strikes or other labor disturbances, war, riot or delays in transportation. In the event of such delay, the date of delivery or performance shall be extended for a period equal to the time lost by reason of the delay.

PRICE - PRICES in any ALTECH publication are subject to change without prior notification. Catalog prices are based on prices published in the current price list. All written quotations are valid for thirty (30) days from the date of quotation. Customer shall pay all sales, use, excise or similar taxes whenever ALTECH must itself pay and/or collect such tax from Customer arising out of the sale.

PAYMENT - Customer agrees to make payment within thirty (30) days of date of the invoice from ALTECH. Customer agrees to pay a late payment charge of one and one-half percent (1.5% per month, or the maximum late payment charge permitted by applicable law, whichever is less, on any unpaid amount for each calendar month (or fraction thereof) that such payment is in default. Orders amounting to less than \$100.00 will be billed at \$100.00 plus freight. Full carton purchases are required. In the event of referral to an attorney for collection, reasonable attorney's fees for collection of the overdue amount shall be paid by Customer. In the event payment is not received within 30 days from the date of invoice, any discount shall be cancelled and the full list price will be due.

LIMITED WARRANTY - ALTECH warrants to Customer that the equipment purchases shall be free from defects in material and workmanship under normal use and service for a period of one year from shipment.

Written notice as an explanation of the circumstances of any claim that the equipment has proved defective in material or workmanship shall be given promptly by the Customer to ALTECH.

ALTECH will not be liable for any misuse, improper operations, improper installation, improper maintenance, alteration, modification, accident or unusual degradation of the equipment or parts due to an unsuitable installation environment.

No representation of other affirmation of facts, including but not limited to statements regarding capacity, suitability for use or performance of the equipment, shall be or be deemed to be a warranty or representation by ALTECH for any purpose, nor give rise to any liability or obligation of ALTECH whatsoever.

Customer's sole and exclusive remedy in the event of breach of warranty, as set forth herein, is expressly limited to (1) the correction of the defect by adjustment, repair, modification, or replacement, or (2) issuance of a credit or refund of the purchase price for the defective equipment at ALTECH's election and sole expense.

EXCEPT AS SPECIFICALLY PROVIDED IN THIS AGREEMENT, THERE ARE NO OTHER WARRANTIES EXPRESSED OR IMPLIED INCLUDING BUT NOT LIMITED TO ANY IMPLIED WARRANTIES OR MERCHANTABILITY OR FITNESS FOR A PARTICULAR PURPOSE.

THIS WARRANTY EXTENDS ONLY TO THE CUSTOMER FROM ALTECH OR ITS AUTHORIZED DISTRIBUTOR.

LIMITATION OF LIABILITY - IN NO EVENT, SHALL ALTECH BE LIABLE FOR LOSS OF PROFITS, INDIRECT, SPECIAL, CONSEQUENTIAL OR OTHER SIMILAR DAMAGES ARISING OUT OF ANY BREACH OF THIS AGREEMENT OR OBLIGATIONS UNDER THE AGREEMENT.

ALTECH SHALL NOT BE LIABLE FOR ANY DAMAGES CAUSED BY DELAY IN SHIPMENT, INSTALLATION OR FURNISHING OF EQUIPMENT OR SERVICES UNDER THIS AGREEMENT.

No action arising out of any claimed breach of this Agreement may be brought by either party more than two (2) years after the cause of action has accrued.

PATENT INDEMNITY - ALTECH shall defend or settle any suit or proceeding brought against Customer based on a claim that any equipment made to ALTECH design and furnished hereunder constitutes an infringement of any existing United States patent, provided (ALTECH) is notified promptly in writing and is given complete authorization and information required for the defense, and ALTECH shall pay all damages and costs awarded against Customer, but shall not be responsible for any costs, expense or compromise incurred or made by Customer without ALTECH's prior written consent. If any equipment is in ALTECH's opinion likely to or does become the subject of a claim for patent infringement, ALTECH may at its option and expense procure for Customer the right to continue using the device, modify it to become non-infringing, but in the event ALTECH is not reasonably able to modify, substitute, or otherwise procure for Customer the right to continue using it, ALTECH will remove such equipment and refund to Customer the amount paid in excess of a reasonable rental for past use.

ALTECH shall not be liable for any infringement or claim based upon use of the equipment in combination with other equipment not supplied by ALTECH or with modifications made by Customer.

The foregoing states the entire liability of ALTECH to Customer arising from patent infringement.

SELLER'S REMEDIES - Should Customer fail to make any payment within ten (10) days of its due date, or fail to perform any other of the Customer's obligation hereunder upon thirty (30) days written notice, or should Customer be or become insolvent or be a party to any bankruptcy receivership proceeding prior to full payment of all amounts payable hereunder, ALTECH may: (a) with or without demand or notice to customer declare the entire amount unpaid immediately due and payable; (b) enter upon the premises where the equipment may be found and remove it (Customer shall assemble the equipment and make it available to ALTECH at a place reasonably convenient to both parties and shall permit and assist ALTECH in effecting the retaking and removal of the equipment); and (c) sell any or all the equipment as permitted under applicable law, applying the proceeds of the sale to payment of the expenses of retaking, repairing and selling the equipment, reasonable attorney fees and to the satisfaction of all indebtedness then due and unpaid under this Agreement. Any surplus shall be paid to Customer and any deficiency shall be paid to ALTECH by Customer.

The remedies provided herein shall be cumulative and in addition to all other remedies provided by law or equity or under the Uniform Commercial Code.

GOVERNING LAW - This agreement will be governed by the Laws of the State of New Jersey.

GENERAL - This Agreement shall only become effective and binding when either (a) it has been accepted and executed by an authorized representative of ALTECH, or (b) the equipment has been shipped to Customer, with or without acceptance in writing hereon. Notice of acceptance is hereby waived by Customer. Customer hereby acknowledges receipt of a true and complete copy hereof.

No addition to or modification of any of the Terms and Conditions of Sale as they appear herein shall be binding upon ALTECH unless signed in writing by duly authorized representative of ALTECH in Flemington, N.J.

Typographical and clerical errors in quotations, orders and acknowledgments are subject to correction.

This Agreement is not assignable without the prior written consent of ALTECH. Any attempt to assign any of the rights, duties or obligations of this Agreement without such consent is void.

If any provision or provisions of this Agreement shall be held to be invalid, illegal or unenforceable, the validity, legality and enforceability, of the remaining provisions shall not in any way be affected or impaired thereby.

ALTECH is not responsible for failure to fulfill its obligation under this Agreement due to causes beyond its control, or except as agreed herein.

THE CUSTOMER ACKNOWLEDGES THAT HE HAS READ THE AGREEMENT, UNDERSTANDS IT, AND AGREES TO BE BOUND BY ITS TERMS AND CONDITIONS. FURTHERMORE, THE CUSTOMER AGREES THAT IT IS THE COMPLETE AND EXCLUSIVE STATEMENT OF THE AGREEMENT BETWEEN THE PARTIES, WHICH SUPERSEDES ALL PROPOSALS OR PRIOR AGREEMENTS, ORAL OR WRITTEN, EXPRESSED OR IMPLIED, AND ALL OTHER COMMUNICATIONS BETWEEN THE PARTIES RELATING TO THE SUBJECT MATTER OF THIS AGREEMENT.

PUSH-IN

PCB POWER TERMINALS
PUSH-IN

TENSION SPRING

PLUGGABLE
PUSH-IN



Altech Search

- Home
- Stock Check
- Distributors
- Information
- News
- Contact
- Rep/Dist Login
- Altech Mexico

WEB TOOLS

- Altech Videos
- Product Crossings
- Request for Quote
- Sample Request
- Catalog Request
- eBook Catalog

PRODUCT MENU

- ATEX Products
- Circuit Protection / Control
- Connectors
- Enclosures
- European Spare Parts
- Digital Panel Meters
- Foot Switches
- Interface Modules
- Panel Accessories
- Power Supplies
- Power Semi-Conductors
- Programmable Controllers
- Push Buttons & Pilot Lights
- Relays
- Sensors
- Safety Switches & Enclosures
- Solid State Relays
- Terminal Blocks
- Test & Measurement
- Power Lights

New Products and Promotions

AS SHORT AS **2** Week Turn Around

CUSTOM ASSEMBLY and Valued Added Services

- Imprinting
- Relay Modules
- Light Assemblies
- Interface Modules
- Component Carrier Modules
- Foot Switch Assemblies
- DIN Rail Assemblies
- Enclosure Milling

Click for your local
ALTECH REPRESENTATIVE

**Serving the Automation & Control Industry
Since 1984**

CIRCUIT PROTECTION

- Circuit Protection Devices
- Busbar & Power Distribution
- Contactors, Overload Relays, Manual Motor Starters
- Motor Disconnect Switches
- European Fuses & Holders

CONNECTORS

- Pin & Sleeve Devices
- Receptacles
- Industrial Rectangular Connectors
- ENCLOSURES
- Industrial & ATEX Enclosures
- DIN Enclosures

FOOT SWITCHES

- Industrial
- Medical
- MODULES & RELAYS
- Interface Modules
- Safety Relays
- Industrial & Slimline Relays

Altech Corporation
35 Royal Road
Flemington, NJ 08822-6000
P 908.806.9400 • F 908.806.9490
www.altechcorp.com
Altech Corp.® 515-082016
Printed August 2016



X-ON Electronics

Largest Supplier of Electrical and Electronic Components

Click to view similar products for [Fixed Terminal Blocks](#) category:

Click to view products by [Altech](#) manufacturer:

Other Similar products are found below :

[MBE-1512](#) [MBE-154](#) [MBE-156](#) [MBES-153](#) [MBES-156](#) [MH-2512](#) [MHE-132](#) [MHE-163](#) [MI-254 \(35\)](#) [MI-272](#) [880507](#) [MPT-275](#)
[15602-04-08-21](#) [BA311TU](#) [BA411SU](#) [MV-152](#) [MV-252-D](#) [MV-253/NCNOC](#) [MV-254-D](#) [MV-255](#) [MV-462](#) [MV-493](#) [MVE-252](#) [MVE-253](#)
[MVE-273](#) [MVEB-153](#) [1700096](#) [1705142](#) [1745195](#) [1760594](#) [1776118-2](#) [1-796689-8](#) [1-796692-6](#) [20020314-C121B01LF](#) [CB2-12](#)
[KP03215000J0G](#) [KP04215000J0G](#) [S451](#) [282802-2](#) [29.007](#) [29.116](#) [30.103](#) [30.106](#) [30.252](#) [30.503](#) [30.608](#) [30.753](#) [30.755](#) [30.756](#) [30.853](#)