



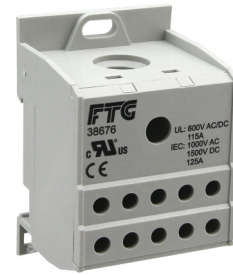
ALUMINUM ONE PHASE POWER DISTRIBUTION BLOCKS

- For use with copper and aluminum cable (solid and stranded)
- Quick mounting and wiring
- IP20 Finger Safe
- DIN Rail or Panel Mount
- Blocks fit with other DIN Rail mountable modular devices (height 95mm, depth 44.5mm)
- Accessories increase the number of outputs with only one input (applies **only** to 38641 and 38632)
- No caps to open or remove
- Material
 Housing: Polyamide
 Metal Body: Aluminum (tin plated)

38641

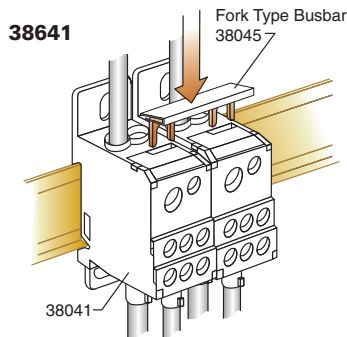
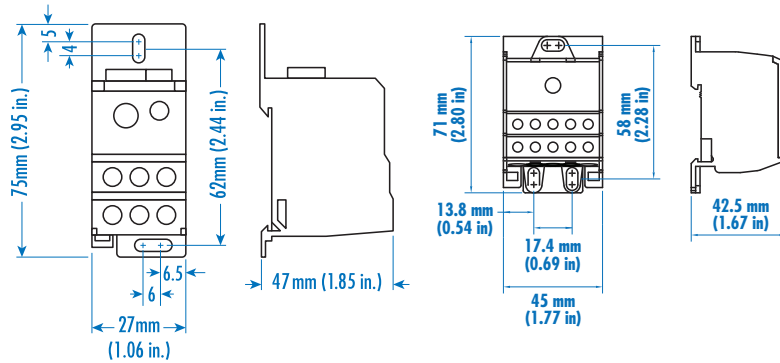


38676



Part Number:	38641		38676	
Approvals	UL File E98082		UL File E98082	
Current Rating (CU)	115A	125A	115A	125A
Current Rating (AL)	90A	100A	90A	100A
Voltage Rating	600V AC/DC	1000V AC 1500V DC	600V AC/DC	1000V AC 1500V DC
No. of Inputs	1	1	1	1
Wire Range	8-2 AWG	10-35mm ²	8-2 AWG	10-35mm ²
Torque	31lb.-in.	3.5Nm	31lb.-in.	3.5Nm
Screw Type	Hex 4		Hex 4	
No. of Outputs	7	7	10	10
Wire Range	14-4 AWG	2.5-25mm ²	14-4 AWG	2.5-25mm ²
Torque	18lb.-in.	2Nm	18lb.-in.	2Nm
Screw Type	Hex 2.5		Hex 3	

Dimensions:



Accessories: Fork Type Busbar
 Part No: **38045** to jump 2 Blocks
38046 to jump 8 Blocks
 (can be cut)



38632



38674

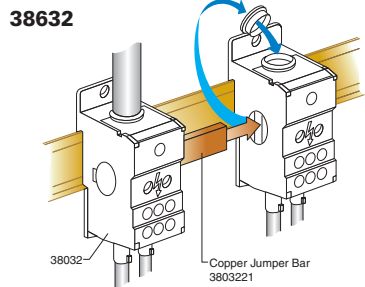
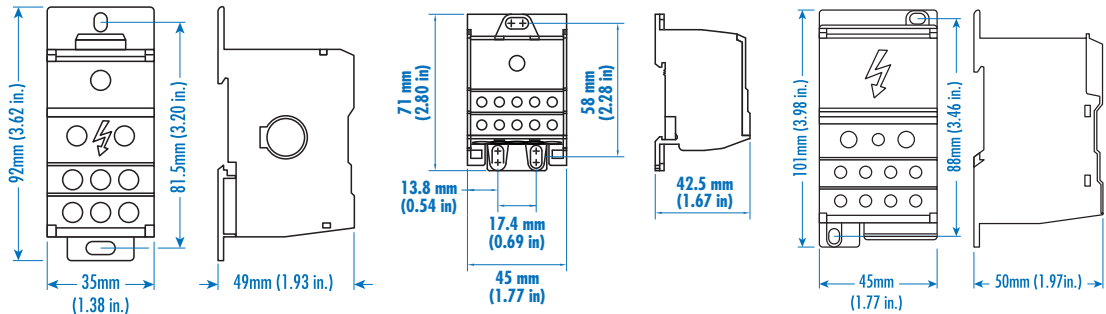


38620



Part Number:	38632		38674		38620	
Approvals	 UL File E98082		 UL File E98082		 UL File E98082	
Current Rating (CU) (AL)	175A 135A	175A 135A	175A 135A	175A 135A	255A NA	250A 200A
Voltage Rating	600V AC/DC		600V AC/DC		600V AC/DC	
		1000V AC 1500V DC		1000V AC 1500V DC		1000V AC 1500V DC
No. of Inputs	1	1	1	1	1	1
Wire Range	8-2/0 AWG	10-70mm ²	8-2/0 AWG	16-70mm ²	2-250kcmil	35-120mm ²
Torque	35.5lb.-in.	4Nm	35.5lb.-in.	4Nm	280lb.-in.	31Nm
Screw Type	Hex 5	Hex 5	Hex 5	Hex 5	Hex 6	Hex 6
No. of Outputs	6	6	10	10	11	11
Wire Range	14-4 AWG	2.5-25mm ²	14-4 AWG	2.5-16mm ²	(2x) 14-2AWG	(2x) 2.5-35mm ²
Torque	18lb.-in.	2Nm	18lb.-in.	2Nm	31lb.-in.	3.5Nm
Wire Range	-	-	-	-	(5x) 14-6AWG	(5x) 2.5-16mm ²
Torque	-	-	-	-	18lb.-in.	2Nm
Wire Range	-	-	-	-	(4x) 14-8AWG	(4x) 2.5-10mm ²
Torque	-	-	-	-	18lb.-in.	2Nm
Screw Type	Hex 2.5	Hex 2.5	Hex 3	Hex 3	Hex 3	Hex 3

Dimensions:



Accessories: Copper Jumper Bar (6x15 mm)
 Part No: **3803221** for 2 Blocks
3803231 for 3 Blocks
3803241 for 4 Blocks (can be cut)

UL1059

X-ON Electronics

Largest Supplier of Electrical and Electronic Components

Click to view similar products for [Terminal Block Tools & Accessories](#) category:

Click to view products by [Altech](#) manufacturer:

Other Similar products are found below :

[00171430102](#) [00171420102](#) [600HL](#) [600RJ-07](#) [600RJ-11](#) [600RJ-14](#) [600RJS-10](#) [600RJS-12](#) [600RJS-21](#) [601RJ-09](#) [602SP](#) [602Z](#) [604J](#)
[CSTSPC1-2](#) [7B941-7](#) [88943-2100](#) [QC102](#) [1437403-6](#) [1437403-9](#) [1437403-8](#) [1453128-1](#) [147832-1](#) [EC0037-000](#) [MT2/H--](#) [MT6/H-N](#)
[MT6/V-GRND](#) [MT8/H-51-60](#) [BC2-12](#) [BCC-1-8/10](#) [EP2.5/4UN/BG](#) [1707755](#) [1735590](#) [1755480](#) [1789281](#) [1840227](#) [1840230](#) [2-1437402-1](#)
[JA2-03](#) [JB1-03/J](#) [JB2-04](#) [JB2-05](#) [JB2-07](#) [JB2-09/J](#) [PARALLELJUMPERLINK](#) [JS601](#) [2204082](#) [2302463](#) [2305949](#) [8TK2-24](#) [8WA1853](#)