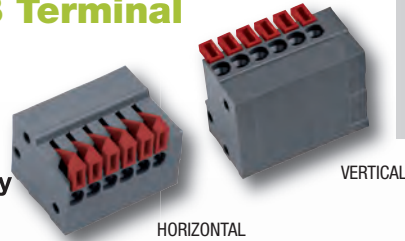


Fixed Push-In PCB Terminal 2.54 mm Pin Spacing

- Push-In Technology
- 1-N Poles
- Various Colors
- Standard Color: Dark Gray



AKZ4791/xxKD-2.54-H
HORIZONTAL

AKZ4791/xxKD-2.54-V
VERTICAL

Electrical Ratings

Usergroup	B	C	D	-
Rated Voltage	150V	-	-	130V
Rated Current	6A	-	-	9A
Wire Size	<i>solid</i> 26-18AWG	-	-	0.2mm ² -0.75mm ²
	<i>stranded</i> 26-18AWG	-	-	0.2mm ² -0.75mm ²

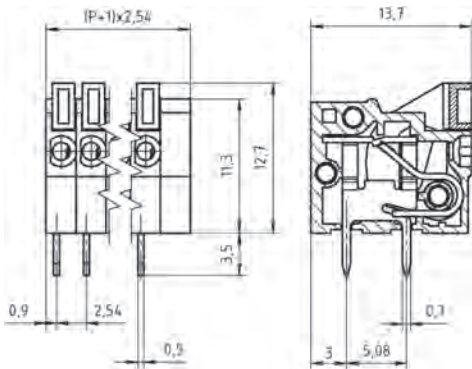
Ordering Information (2.54 mm Spacing - Gray)

No. Poles	Order #	Type #	Length (mm)	Std. Pack
1	39.5301	AKZ4791/1KD-2.54-H-G	5.08	100
2	39.5302	AKZ4791/2KD-2.54-H-G	7.62	100
3	39.5303	AKZ4791/3KD-2.54-H-G	10.16	100
4	39.5304	AKZ4791/4KD-2.54-H-G	12.70	50
5	39.5305	AKZ4791/5KD-2.54-H-G	15.24	50
6	39.5306	AKZ4791/6KD-2.54-H-G	17.78	50
7	39.5307	AKZ4791/7KD-2.54-H-G	20.32	20
8	39.5308	AKZ4791/8KD-2.54-H-G	22.86	20
9	39.5309	AKZ4791/9KD-2.54-H-G	25.40	20
10	39.5310	AKZ4791/10KD-2.54-H-G	27.94	20
11	39.5311	AKZ4791/11KD-2.54-H-G	30.48	20
12	39.5312	AKZ4791/12KD-2.54-H-G	33.02	20

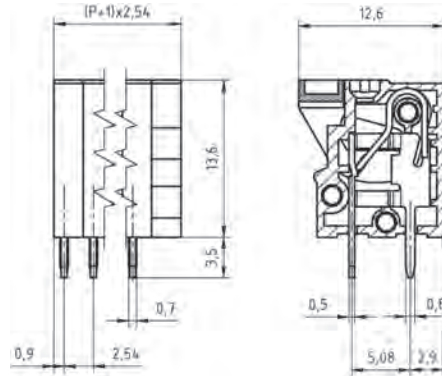
Ordering Information (2.54 mm Spacing - Gray)

No. Poles	Order #	Type #	Length (mm)	Std. Pack
1	39.5351	AKZ4791/1KD-2.54-V-G	5.08	100
2	39.5352	AKZ4791/2KD-2.54-V-G	7.62	100
3	39.5353	AKZ4791/3KD-2.54-V-G	10.16	100
4	39.5354	AKZ4791/4KD-2.54-V-G	12.70	50
5	39.5355	AKZ4791/5KD-2.54-V-G	15.24	50
6	39.5356	AKZ4791/6KD-2.54-V-G	17.78	50
7	39.5357	AKZ4791/7KD-2.54-V-G	20.32	20
8	39.5358	AKZ4791/8KD-2.54-V-G	22.86	20
9	39.5359	AKZ4791/9KD-2.54-V-G	25.40	20
10	39.5360	AKZ4791/10KD-2.54-V-G	27.94	20
11	39.5361	AKZ4791/11KD-2.54-V-G	30.48	20
12	39.5362	AKZ4791/12KD-2.54-V-G	33.02	20

Dimensions (mm) Horizontal



Dimensions (mm) Vertical



Material Specifications

Spring Clamp	Stainless Steel
Solder Tab	Brass
Insulating Material	PBT
Flammability Class	UL94V-0
Operating Temperature	-30°C - +105°C

Wave Solder Process

Soldering Temperature	265°C
Peak Soldering Time	3-4s

Installation Data

Stripping Length	10mm
PCB Hole Size	1.2mm

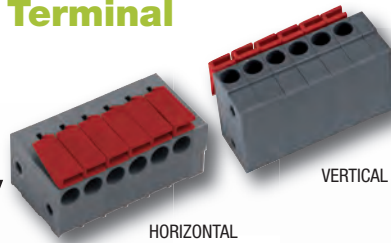
Other Colors Available

- GREEN, RAL 6018
- ORANGE, RAL 2011
- BLUE, RAL 5015

Fixed Push-In PCB Terminal

3.81 mm Pin Spacing

- Push-In Technology
- 1-N Poles
- Various Colors
- Standard Color: Dark Gray



AKZ4701/xxKD-3.81-H
HORIZONTAL

AKZ4701/xxKD-3.81-V
VERTICAL

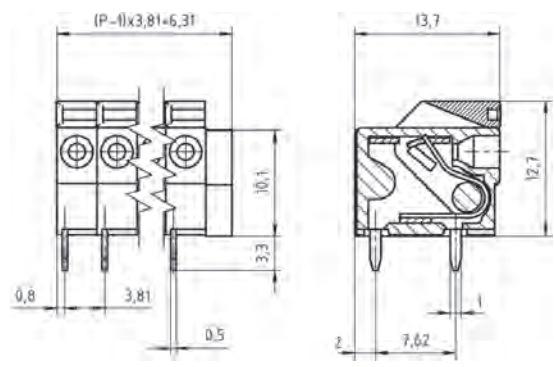
Electrical Ratings		UL E178356		IEC	VDE
Usergroup	B	C	D	-	
	300V	-	300V	130V	
Rated Current	6A	-	6A	12A	
Wire Size	<i>solid</i>	26-16AWG	26-16AWG	0.2mm ² -1.5mm ²	
	<i>stranded</i>	26-16AWG	26-16AWG	0.2mm ² -1.5mm ²	

Ordering Information (3.81 mm Spacing - Gray)

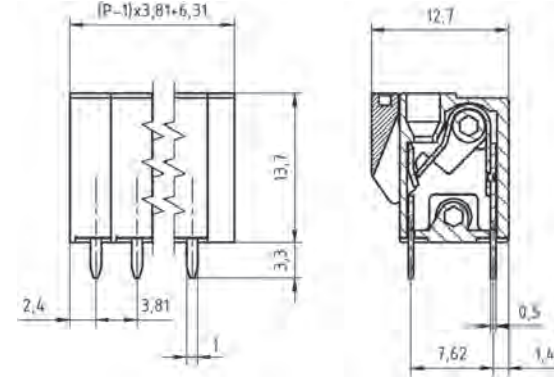
No. Poles	Order #	Type #	Length (mm)	Std. Pack
1	39.5401	AKZ4701/1KD-3.81-H-G	6.31	100
2	39.5402	AKZ4701/2KD-3.81-H-G	10.12	100
3	39.5403	AKZ4701/3KD-3.81-H-G	13.93	100
4	39.5404	AKZ4701/4KD-3.81-H-G	17.74	50
5	39.5405	AKZ4701/5KD-3.81-H-G	21.55	50
6	39.5406	AKZ4701/6KD-3.81-H-G	25.36	50
7	39.5407	AKZ4701/7KD-3.81-H-G	29.17	20
8	39.5408	AKZ4701/8KD-3.81-H-G	32.98	20
9	39.5409	AKZ4701/9KD-3.81-H-G	36.79	20
10	39.5410	AKZ4701/10KD-3.81-H-G	40.60	20
11	39.5411	AKZ4701/11KD-3.81-H-G	44.41	20
12	39.5412	AKZ4701/12KD-3.81-H-G	48.22	20

No. Poles	Order #	Type #	Length (mm)	Std. Pack
1	39.5451	AKZ4701/1KD-3.81-V-G	6.31	100
2	39.5452	AKZ4701/2KD-3.81-V-G	10.12	100
3	39.5453	AKZ4701/3KD-3.81-V-G	13.93	100
4	39.5454	AKZ4701/4KD-3.81-V-G	17.74	50
5	39.5455	AKZ4701/5KD-3.81-V-G	21.55	50
6	39.5456	AKZ4701/6KD-3.81-V-G	25.36	50
7	39.5457	AKZ4701/7KD-3.81-V-G	29.17	20
8	39.5458	AKZ4701/8KD-3.81-V-G	32.98	20
9	39.5459	AKZ4701/9KD-3.81-V-G	36.79	20
10	39.5460	AKZ4701/10KD-3.81-V-G	40.60	20
11	39.5461	AKZ4701/11KD-3.81-V-G	44.41	20
12	39.5462	AKZ4701/12KD-3.81-V-G	48.22	20

Dimensions (mm) Horizontal



Dimensions (mm) Vertical



Material Specifications

Spring Clamp	Stainless Steel
Solder Tab	Brass
Insulating Material	PBT
Flammability Class	UL94V-0
Operating Temperature	-30°C - +105°C

Other Colors Available

- GREEN, RAL 6018
- ORANGE, RAL 2011
- BLUE, RAL 5015

Wave Solder Process

Soldering Temperature	265°C
Peak Soldering Time	3-4s

Installation Data

Stripping Length	10mm
PCB Hole Size	1.4mm

PUSH-IN

PCB POWER TERMINALS
PUSH-IN

TENSION SPRING

PLUGGABLE
PUSH-IN

X-ON Electronics

Largest Supplier of Electrical and Electronic Components

Click to view similar products for [Fixed Terminal Blocks](#) category:

Click to view products by [Altech](#) manufacturer:

Other Similar products are found below :

[MBE-1512](#) [MBE-1520](#) [MBE-154](#) [MBE-156](#) [MBES-156](#) [MH-2512](#) [MHE-132](#) [MHE-163](#) [MI-254 \(35\)](#) [MI-272](#) [MPT-275](#) [ELM10110G](#)
[BA311TU](#) [BA411SU](#) [MV-253/NCNOC](#) [MV-254-D](#) [MV-255](#) [MV-493](#) [MVE-252](#) [MVE-253](#) [MVE-273](#) [MVEB-153](#) [1700096](#) [1705142](#)
[1712417](#) [1713088](#) [1745195](#) [1760594](#) [1-796689-8](#) [1-796692-6](#) [1800114](#) [20020314-C121B01LF](#) [20020316-G041B01LF](#) [KP03215000J0G](#)
[KP04215000J0G](#) [S451](#) [29.007](#) [29.116](#) [30.103](#) [30.106](#) [30.503](#) [30.608](#) [30.755](#) [30.853](#) [9872-0-00-15-00-00-33-0](#) [996750](#) [1706303](#) [1710052](#)
[1712418](#) [1733868](#)