

PCB Power Terminals (Push-In)

7.50 mm Pin Spacing

- Push-In Technology
- 35A
- Standard Color: Dark Gray



AK4210/xx-7.5-H
HORIZONTAL

AK4210/xx-7.5-V
VERTICAL

Electrical Ratings

Usergroup	B	C	D	-
Rated Voltage	300V	150V	300V	450V
Rated Current	35A	35A	10A	41A
Wire Size				
<i>solid</i>	24-8AWG	24-8AWG	24-8AWG	0.2mm ² -10.0mm ²
<i>stranded</i>	24-8AWG	24-8AWG	24-8AWG	0.2mm ² -6.0mm ²



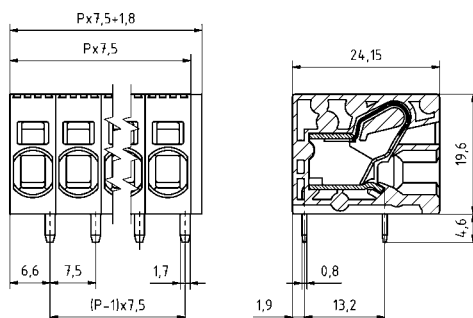
Ordering Information - Horizontal, Gray - RAL7012

No. Poles	Order #	Type #	Length (mm)	Std. Pack
1	39.8401	AK4210/1-7.5-H-G	9.25	100
2	39.8402	AK4210/2-7.5-H-G	16.75	50
3	39.8403	AK4210/3-7.5-H-G	24.25	50
4	39.8404	AK4210/4-7.5-H-G	31.75	50
5	39.8405	AK4210/5-7.5-H-G	39.25	50
6	39.8406	AK4210/6-7.5-H-G	46.75	50
7	39.8407	AK4210/7-7.5-H-G	54.25	50
8	39.8408	AK4210/8-7.5-H-G	61.75	50
9	39.8409	AK4210/9-7.5-H-G	69.25	50
10	39.8410	AK4210/10-7.5-H-G	76.75	50
11	39.8411	AK4210/10-7.5-H-G	84.25	50
12	39.8412	AK4210/12-7.5-H-G	91.75	50

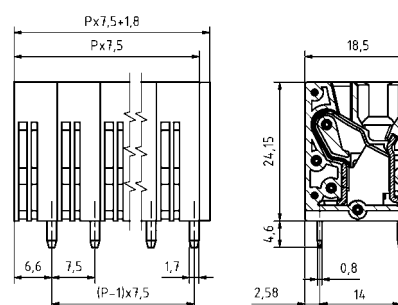
Ordering Information - Vertical, Gray - RAL7012

No. Poles	Order #	Type #	Length (mm)	Std. Pack
1	39.8451	AK4210/1-7.5-V-G	9.25	100
2	39.8452	AK4210/2-7.5-V-G	16.75	50
3	39.8453	AK4210/3-7.5-V-G	24.25	50
4	39.8454	AK4210/4-7.5-V-G	31.75	50
5	39.8455	AK4210/5-7.5-V-G	39.25	50
6	39.8456	AK4210/6-7.5-V-G	46.75	50
7	39.8457	AK4210/7-7.5-V-G	54.25	50
8	39.8458	AK4210/8-7.5-V-G	61.75	50
9	39.8459	AK4210/9-7.5-V-G	69.25	50
10	39.8460	AK4210/10-7.5-V-G	76.75	50
11	39.8461	AK4210/10-7.5-V-G	84.25	50
12	39.8462	AK4210/12-7.5-V-G	91.75	50

Dimensions (mm)



Dimensions (mm)



Material Specifications

Spring Clamp	Stainless Steel
Solder Tab	Copper Alloy
Insulating Material	PA 6.6
Flammability Class	UL94V-0
Operating Temperature	-30°C - +105°C

Wave Solder Process

Soldering Temperature	265°C
Peak Soldering Time	3-4s

Installation Data

Stripping Length	15mm
PCB Hole Size	2.1mm

Other Colors Available

- BLACK, RAL 9011**
- GREEN, RAL 6018**
- ORANGE, RAL 2011**
- RED, RAL 3003**
- BLUE, RAL 5015**

PCB Power Terminals (Push-In)

7.5 mm Pin Spacing

- Push-In Technology
- 35A
- Zig-Zag Pin Style
- Standard Color: Dark Gray



AK4210/xxVP-7.5-H
HORIZONTAL

AK4210/xxVP-7.5-V
VERTICAL

Electrical Ratings

Usergroup	UL E178356			IEC VDE	
	B	C	D	-	-
Rated Voltage	600V	600V	600V	1000V	
Rated Current	35A	35A	5A	41A	
Wire Size	<i>solid</i> 24-8AWG <i>stranded</i> 24-8AWG	24-8AWG	24-8AWG	0.2mm ² -10mm ² 0.2mm ² -6mm ²	

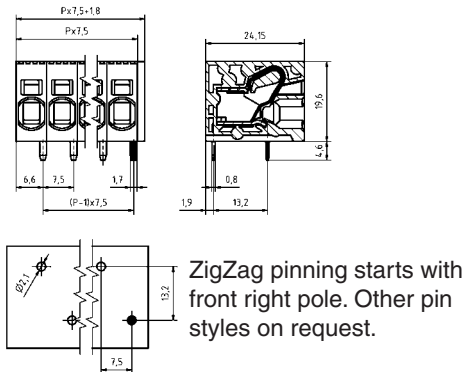
Ordering Information - Horizontal, Gray - RAL7012

No. Poles	Order #	Type #	Length (mm)	Std. Pack
1	39.8501	AK4210/1-VP-7.5-H-G	9.25	100
2	39.8502	AK4210/2-VP-7.5-H-G	16.75	50
3	39.8503	AK4210/3-VP-7.5-H-G	24.25	50
4	39.8504	AK4210/4-VP-7.5-H-G	31.75	50
5	39.8505	AK4210/5-VP-7.5-H-G	39.25	50
6	39.8506	AK4210/6-VP-7.5-H-G	46.75	50
7	39.8507	AK4210/7-VP-7.5-H-G	54.25	50
8	39.8508	AK4210/8-VP-7.5-H-G	61.75	50
9	39.8509	AK4210/9-VP-7.5-H-G	69.25	50
10	39.8510	AK4210/10-VP-7.5-H-G	76.75	50
11	39.8511	AK4210/10-VP-7.5-H-G	84.25	50
12	39.8512	AK4210/12-VP-7.5-H-G	91.75	50

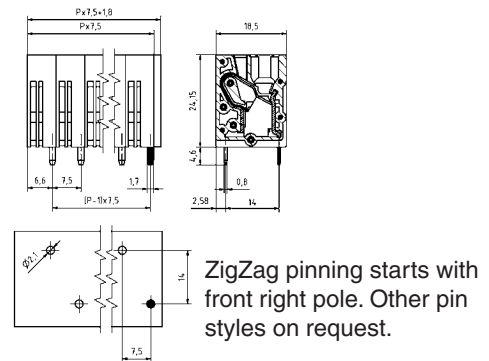
Ordering Information - Vertical, Gray - RAL7012

No. Poles	Order #	Type #	Length (mm)	Std. Pack
1	39.8551	AK4210/1-VP-7.5-V-G	9.25	100
2	39.8552	AK4210/2-VP-7.5-V-G	16.75	50
3	39.8553	AK4210/3-VP-7.5-V-G	24.25	50
4	39.8554	AK4210/4-VP-7.5-V-G	31.75	50
5	39.8555	AK4210/5-VP-7.5-V-G	39.25	50
6	39.8556	AK4210/6-VP-7.5-V-G	46.75	50
7	39.8557	AK4210/7-VP-7.5-V-G	54.25	50
8	39.8558	AK4210/8-VP-7.5-V-G	61.75	50
9	39.8559	AK4210/9-VP-7.5-V-G	69.25	50
10	39.8560	AK4210/10-VP-7.5-V-G	76.75	50
11	39.8561	AK4210/10-VP-7.5-V-G	84.25	50
12	39.8562	AK4210/12-VP-7.5-V-G	91.75	50

Dimensions (mm)



Dimensions (mm)



Material Specifications

Spring Clamp	Stainless Steel
Solder Tab	Copper Alloy
Insulating Material	PA 6.6
Flammability Class	UL94V-0
Operating Temperature	-30°C - +105°C

Wave Solder Process

Soldering Temperature	265°C
Peak Soldering Time	3-4s

Installation Data

Stripping Length	15mm
PCB Hole Size	2.1mm

Other Colors Available

- BLACK, RAL 9011**
- GREEN, RAL 6018**
- ORANGE, RAL 2011**
- RED, RAL 3003**
- BLUE, RAL 5015**

PUSH-IN

PCB POWER TERMINALS
PUSH-IN

TENSION SPRING

PLUGGABLE
PUSH-IN

X-ON Electronics

Largest Supplier of Electrical and Electronic Components

Click to view similar products for [Fixed Terminal Blocks](#) category:

Click to view products by [Altech](#) manufacturer:

Other Similar products are found below :

[00175550202](#) [MBE-1512](#) [MBE-1520](#) [MBE-154](#) [MBE-156](#) [MBES-1510](#) [MBES-153](#) [MBES-156](#) [MH-2512](#) [MHE-132](#) [MHE-133](#) [MHE-163](#)
[MI-254 \(35\)](#) [MI-272](#) [8739](#) [880507](#) [880508](#) [MPT-275](#) [1546551-6](#) [ELM023100](#) [ELM10110G](#) [ELVD12100](#) [BA311TU](#) [BA411SU](#) [MV-152](#)
[MV-253/NCNOC](#) [MV-254-D](#) [MV-255](#) [MV-462](#) [MV-472](#) [MV-493](#) [MVE-252](#) [MVE-253](#) [MVE-258](#) [MVE-273](#) [MVEB-153](#) [1700096](#)
[1702246](#) [1705142](#) [1712417](#) [1713020](#) [1713088](#) [1776118-2](#) [1790852](#) [1-796689-8](#) [1-796692-6](#) [1800001](#) [1800114](#) [1823215](#) [1838462](#)