

**3 Pole  
With Ground**  
PROTECTION  
**IP65**  
RATING

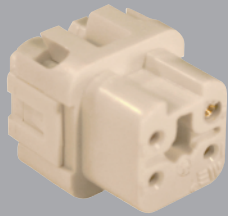


**Component  
Parts**

**Pre-Assembled Units**

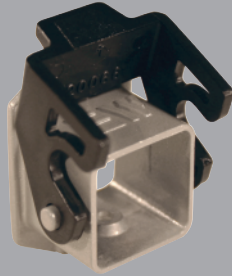
**Covers**

**FEMALE  
Insert**



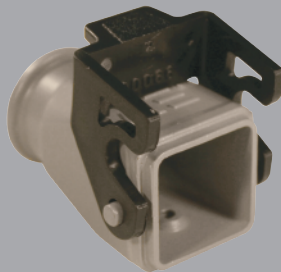
29008

**Bulkhead  
Housing**



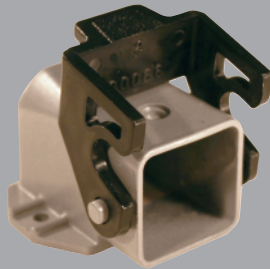
29013

**Hood**

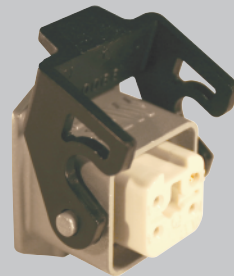


29015  
29015M

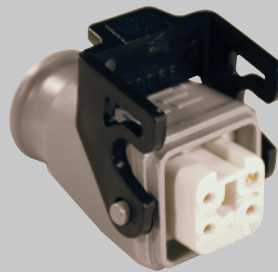
**Surface Mount  
Housing**



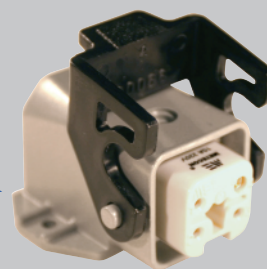
29014



403001



403004  
403004M



403002



29640

Standard Part Numbers are  
NPT threads.  
Part numbers with an "M"  
are metric thread.

**MALE  
Insert**



29009

**Hood**



29017  
29017M



403005  
403005M



29642



Connectors should not be coupled  
and decoupled under electrical load.

**Inserts**

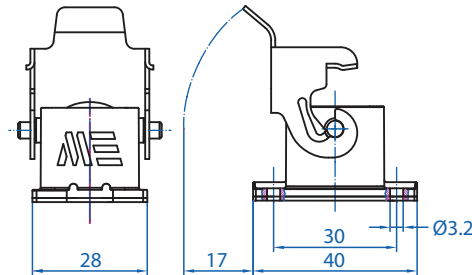
Number of contacts	3 Pole w/ ground
Electrical data to DIN EN61 984	10A 240V 6KV 3
Current	10A
Voltage	240V
Rated Impulse Voltage	6kV
Insulation Resistance	≥10 <sup>10</sup> Ω
Temperature Range	-40 to 125°C
Flammability	UL94-V0

**Contacts**

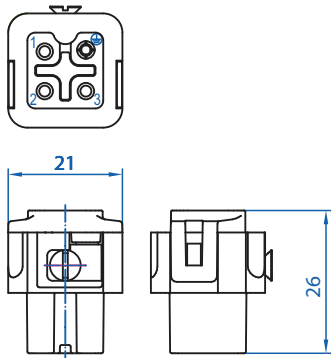
Screw terminal	Copper alloy
Material	hard-silver
Surface plated	≤ 1m Ω
Contact resistance	2.5mm <sup>2</sup> / 14 AWG
Wire size	0.5Nm
Torque	7.5mm
Stripping Length	

**Metal Hoods & Housings**

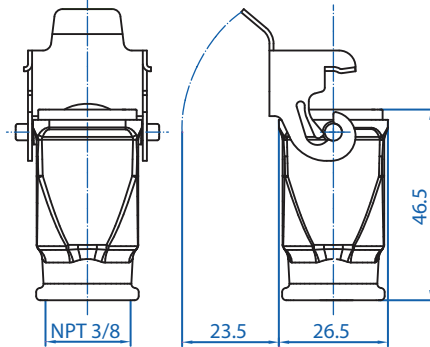
Material	Aluminum
Surface	Powder coated
Seals	NBR
Degree of Protection Acc To	IP65
DIN EN60529 for coupled connectors	NPT 3/8" or M20
Thread Size	



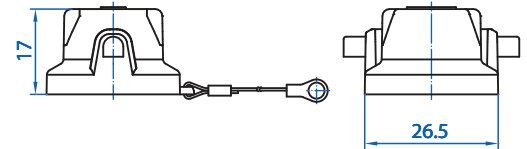
29013



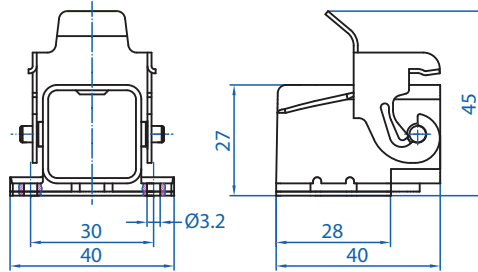
29008



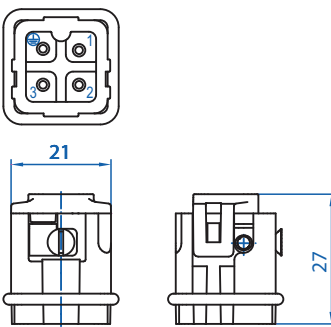
29015



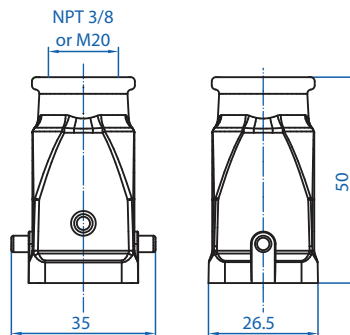
29640



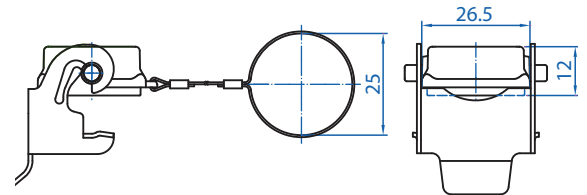
29014



29009



29017



29642



Connectors should not be coupled and decoupled under electrical load.

All dimensions are shown in millimeters. To convert to inches divide by 25.4.

## X-ON Electronics

Largest Supplier of Electrical and Electronic Components

*Click to view similar products for [Heavy Duty Power Connectors](#) category:*

*Click to view products by [Altech](#) manufacturer:*

Other Similar products are found below :

[647757-1](#) [6643411-1](#) [6646058-2](#) [6646137-1](#) [6646138-1](#) [6646479-1](#) [6646608-1](#) [6646786-1](#) [6646940-1](#) [6651091-1](#) [6651525-1](#) [6651529-1](#)  
[6651788-1](#) [696475-1](#) [73000005059](#) [73000005642](#) [765-15-0080A](#) [765-16-0080B](#) [829992-1](#) [902-77-02113](#) [129-1J](#) [AN0024023](#) [E6374G1](#)  
[e6389g2](#) [157-43GW8](#) [MS3117-14AC](#) [1643543-1](#) [1650540-1](#) [1651811-2](#) [1766260-1](#) [1766282-1](#) [1766966-1](#) [1791340000](#) [NLDFT-3-BL-L-](#)  
[S120-M40A](#) [NLDFT-N-W-L-C240-M40B](#) [NLS-2-R-C240-M40B](#) [NLS-N-W-C240-M40B](#) [NPS-3-BL-T6](#) [1986615-1](#) [2-1589900-8](#) [2199314-1](#)  
[KA8102](#) [9300480317](#) [SBS50BRN#6](#) [29131](#) [29652](#) [1646905-1](#) [1648320-1](#) [1648582-1](#) [1650195-2](#)