

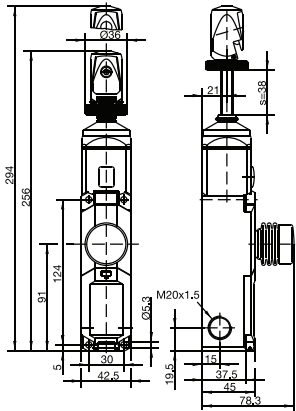
Safety Cable Pull Switches



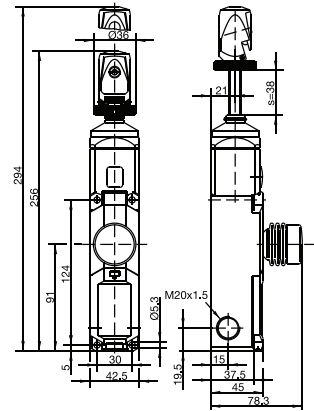
SR Series - Safety Rope Pull Switches



Quick Fix with E-Stop & Reset



Quick Fix with Reset Only



Max. span length	2 NC/2 NO	4 NO	2 NC/2 NO	4 NC
82 Ft. (25 Meters)	601.1629.067 SR-U2Z-NA-QF-100-L0-0-0	601.1691.077 SR-A4Z-NA-QF-100-L0-0-0	601.1629.070 SR-U2Z-0-QF-100-L0-0-0	601.1691.080 SR-A4Z-0-QF-100-L0-0-0
	Replaces 601.1629.031 SR-U2Z-NA-QF 100	Replaces 601.1691.052 SR-A4Z-NA-QF 100	Replaces 601.1629.032 SR-U2Z-QF 100	Replaces 601.1691.049 SR-A4Z-QF 100
123 Ft. (37.5 Meters)	601.1629.068 SR-U2Z-NA-QF-175-L0-0-0	601.1691.078 SR-A4Z-NA-QF-175-L0-0-0	601.1629.071 SR-U2Z-0-QF-175-L0-0-0	601.1691.081 SR-A4Z-0-QF-175-L0-0-0
	Replaces 601.1629.027 SR-U2Z-NA-QF 175	Replaces 601.1691.053 SR-A4Z-NA-QF 175	Replaces 601.1629.024 SR-U2Z-QF 175	Replaces 601.1691.050 SR-A4Z-QF 175
246 Ft. (75 Meters)	601.1629.069 SR-U2Z-NA-QF-300-L0-0-0	601.1691.079 SR-A4Z-NA-QF-300-L0-0-0	601.1629.072 SR-U2Z-0-QF-300-L0-0-0	601.1691.082 SR-A4Z-0-QF-300-L0-0-0
	Replaces 601.1629.019 SR-U2Z-NA-QF 300	Replaces 601.1691.054 SR-A4Z-NA-QF 300	Replaces 601.1629.028 SR-U2Z-QF 300	Replaces 601.1691.051 SR-A4Z-QF 300

Approvals	UL	CE	UL	CE

Technical data

Electrical data		
Rated insulation voltage	U _i max.	250 V AC
Rated operating voltage	U _e max.	240 V
Conventional thermal current	I _{the}	10 A
Utilization category	U _e /I _e	AC-15, U _e /I _e 240 V / 3 A
Short-circuit protection		6 A gL/gG
Protection class		II, Insulated
Mechanical data		
Enclosure	PA 6 GV (UL94-V0)	
Ambient temperature	-25°C to +70°C	
Mechanical service life	100,000 Cycles	
Switching frequency max.	≤ 20 / min.	
Mounting	4 x M5	
B10d	10,000	
Type of connection	Cage clamp terminal	
Conductor cross sections	≤ 1.5 - 2 mm ²	
Cable entry	3 x M20 x 1.5	
Protection class	IP67 conforming to IEC/EN 60529	
Standards		
VDE 0660 T100, DIN EN 60947-1, IEC 60947-1		
VDE 0660 T200, DIN EN 60947-5-1, IEC 60947-5-1		
VDE 0660 T210, DIN EN 60947-5-5, IEC 60947-5-5		
ISO 13850		

Drawing dimensions in mm

X-ON Electronics

Largest Supplier of Electrical and Electronic Components

Click to view similar products for [Cable Pull Switches](#) category:

Click to view products by [Altech](#) manufacturer:

Other Similar products are found below :

[601.2831.022](#) [601.1831.134](#) [601.2831.023](#) [601.2441.907](#) [601.2821.150](#) [44506-7420](#) [44506-5020](#) [44506-5480](#) [XY2CH13270](#)
[XY2CH13270H29](#) [XY2CH13250H7](#) [XY2CJS15](#) [XY2CJL15](#) [XY2CJR15](#) [XY2CJS17](#) [XY2CJS17H29](#) [XY2CJS19](#) [XY2CJS19H29](#) [44506-4120](#) [1CPSA3A](#) [44506-4010](#) [44506-4110](#) [44506-4130](#) [44506-5010](#) [RP-LM40D-6](#) [RP-LM40D-6L](#) [RP-LS42F-75L](#) [RP-LS42F-75LE](#) [RP-QMT72D-20L](#) [RP-QM90F-100L](#) [RP-RM83F-75LT](#) [RP-RM83F-38LRE](#) [RP-RM83F-38LTE](#) [RP-RM83F-38LT](#) [RP-RM83F-75LTE](#) [1CPSA1](#)
[1CPSA1A](#) [1CPSA1B](#) [1CPSA2](#) [1CPSA2A](#) [1CPSA2B](#) [1CPSA3](#) [1CPSA5](#) [1CPSA6A](#) [1CPSC1](#) [1CPSC2](#) [1CPSC2A](#) [2CPSA1A1](#) [2CPSA1A1A](#)
[2CPSA1A1B](#)