

Plastic-bodied Rope Pull switch S/Si

Protection class IP 65



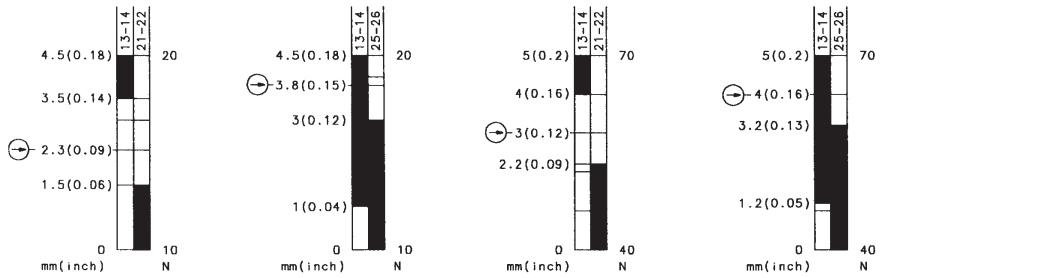
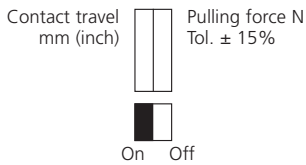
Metal-bodied Rope Pull switch S/Si

Protection class IP 65



Designation
Part number
Circuit diagram
⊕ Forced disconnect to IEC 947-5-1 chapter 3
Za: not galvanically separated contacts
Zb: galvanically separated contacts
Slow make & break/snap-action
Internal seal (iw)/external seal (w)

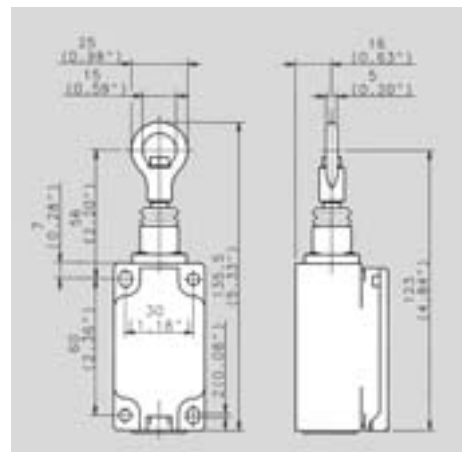
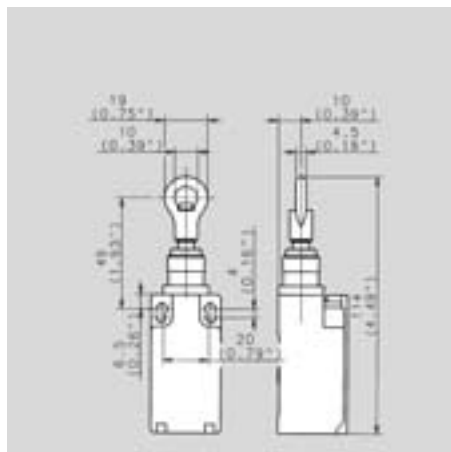
Si-U1Z	SiL-UV1Z	SEK-U1Z	SiEK-UV1Z
601.3812.075	601.3832.076	601.1811.133	601.1831.134
⊕ Zb	⊕ Zb	⊕ Zb	⊕ Zb
●/-	●/-	●/-	●/-
-	-	-	-



Voltage	max.
Permanent current	max.
In-rush current complies with standards	
Switching frequency	max.
Mechanical life – number of switching actions	
Operating temperature	min./max.
Approvals	
Cable entry	
Weight	
Delivery: ex-stock/built to order	

500 V AC	500 V AC	500 V AC	500 V AC
10 A	10 A	10 A	10 A
●	●	●	●
50/min.	50/min.	50/min.	50/min.
1 x 10 ⁶	1 x 10 ⁶	1 x 10 ⁶	1 x 10 ⁶
-30 °C/+80 °C	-30 °C/+80 °C	-30 °C/+80 °C	-30 °C/+80 °C
-22 °F/+176 °F	-22 °F/+176 °F	-22 °F/+176 °F	-22 °F/+176 °F
UL, CSA	UL, CSA	BG, UL, CSA	BG, UL, CSA
1 x M 20 x 1.5	1 x M 20 x 1.5	1 x M 20 x 1.5	1 x M 20 x 1.5
0.09 kg/0.20 lb	0.09 kg/0.20 lb	0.17 kg/0.37 lb	0.17 kg/0.37 lb
●/-	●/-	●/-	●/-

All dimensions in mm (inch)





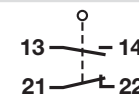
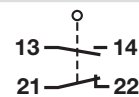
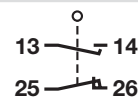
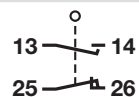
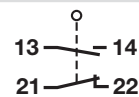
SEM2-U1Z
601.2811.029

SIEM2-UV1Z
601.2831.022

SIEM2-UV1Z Rast
601.2831.023

SD-U1
601.1411.856

SD-U1
611.1411.029



⊖ Zb

⊖ Zb

⊖ Zb

-

-

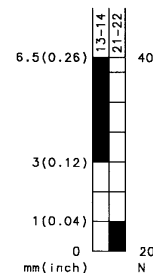
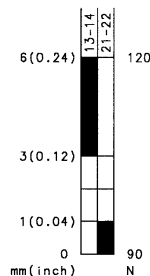
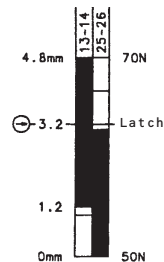
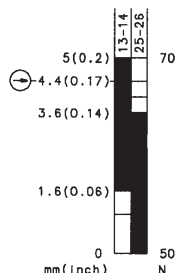
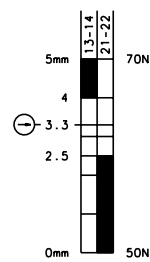
●/-

●/-

-

●/-

●/-



400 V AC
10 A

400 V AC
10 A

400 V AC
10 A

500 V AC
16 A

500 V AC
16 A

●

●

●

●

●

50/min.

50/min.

17/min.

50/min.

50/min.

1 x 10⁶

1 x 10⁶

1 x 10⁶

1 x 10⁶

1 x 10⁶

-30 °C/+80 °C

-30 °C/+80 °C

-30 °C/+80 °C

-30 °C/+80 °C

-30 °C/+80 °C

-22 °F/+176 °F

-22 °F/+176 °F

-22 °F/+176 °F

-22 °F/+176 °F

-22 °F/+176 °F

BG, UL, CSA

BG, UL, CSA

BG, UL, CSA

UL, CSA

UL, CSA

1 x M 20 x 1.5

1 x M 20 x 1.5

1 x M 20 x 1.5

2 x M 20 x 1.5

2 x M 20 x 1.5

0.22 kg/0.49 lb

0.22 kg/0.49 lb

0.26 kg/0.57 lb

0.33 kg/0.73 lb

0.33 kg/0.73 lb

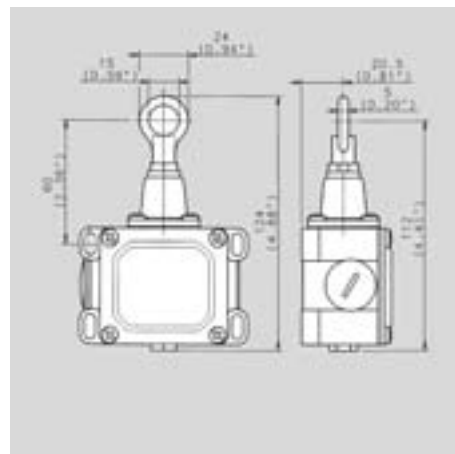
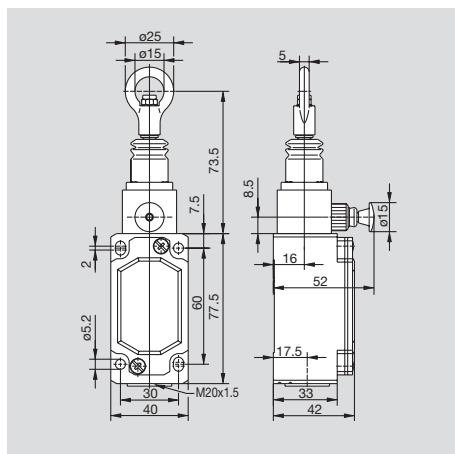
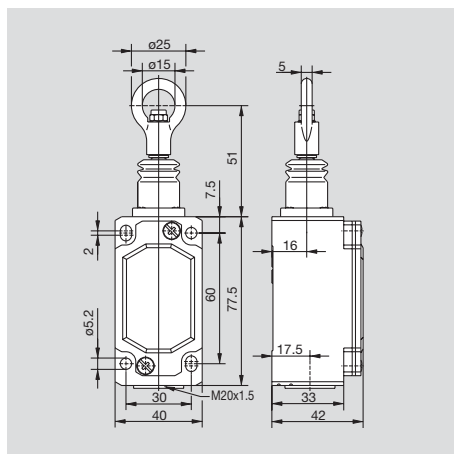
●/-

●/-

●/-

●/-

●/-



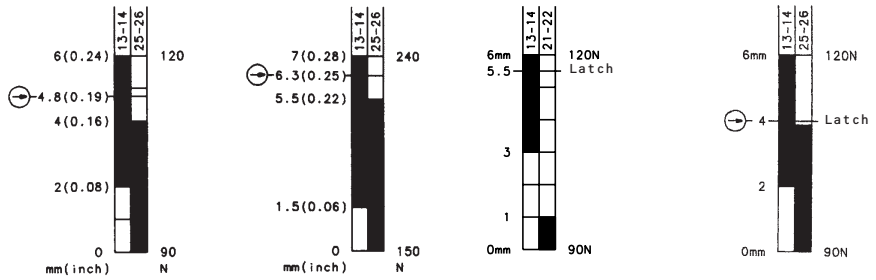
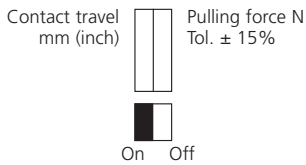
Metal-bodied Rope Pull switch S/Si

Protection class IP 65



Designation
Part number
Circuit diagram
⊕ Forced disconnect to IEC 947-5-1 chapter 3
Za: not galvanically separated contacts
Zb: galvanically separated contacts
Slow make & break/snap-action
Internal seal (iw)/external seal (w)

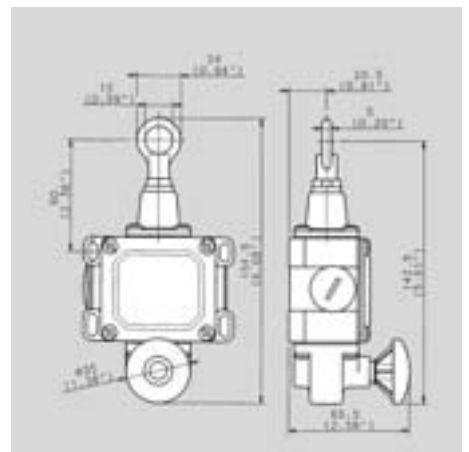
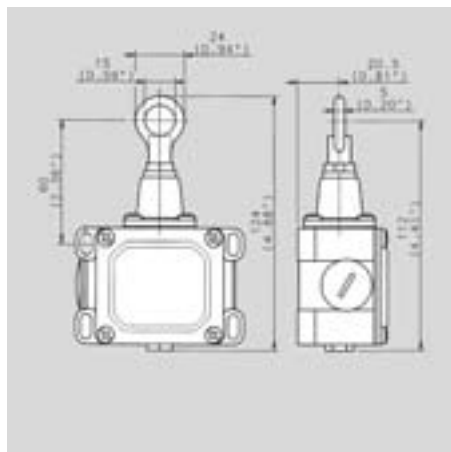
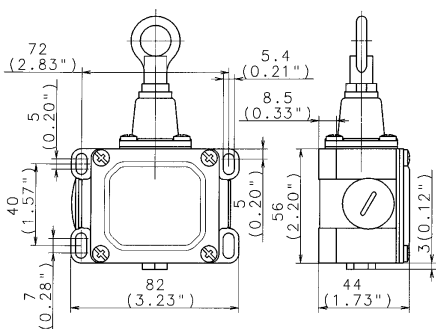
SiD-UV1Z	SiD-UV1Z	SD-U1	SiD-UV1Z Rast
601.1431.857	611.1431.022	601.1411.868	601.1431.869
⊕ Zb	⊕ Zb	-	⊕ Zb
●/-	●/-	●/-	●/-
-	-	●	●



Voltage	max.
Permanent current	max.
In-rush current complies with standards	
Switching frequency	max.
Mechanical life – number of switching actions	
Operating temperature	min./max.
Approvals	
Cable entry	
Weight	
Delivery: ex-stock/built to order	

400 V AC	400 V AC	500 V AC	400 V AC
16 A	16 A	16 A	16 A
●	●	●	●
50/min.	50/min.	20/min.	20/min.
1 x 10 ⁶	1 x 10 ⁶	1 x 10 ⁶	1 x 10 ⁶
-30 °C/+80 °C	-30 °C/+80 °C	-30 °C/+80 °C	-30 °C/+80 °C
-22 °F/+176 °F	-22 °F/+176 °F	-22 °F/+176 °F	-22 °F/+176 °F
UL, CSA	UL, CSA	UL, CSA	UL, CSA
2 x M 20 x 1.5	2 x M 20 x 1.5	2 x M 20 x 1.5	2 x M 20 x 1.5
0.33 kg/0.73 lb	0.33 kg/0.73 lb	0.49 kg/1.08 lb	0.49 kg/1.08 lb
●/-	●/-	●/-	●/-

All dimensions in mm (inch)



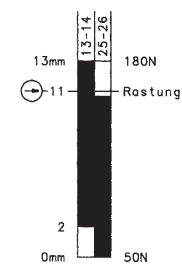
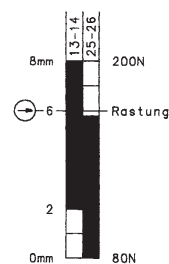
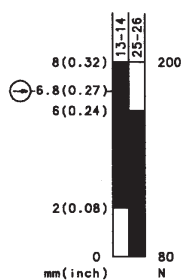
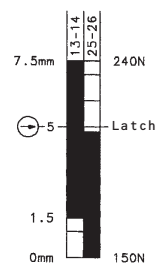
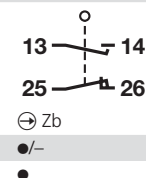
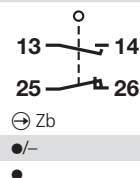
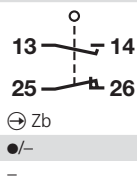
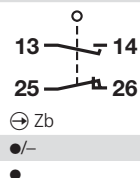


SID-UV1Z Rast
611.1431.060

SID-UV1Z
601.2431.877

SID-UV1Z Rast
601.2431.883

SID-UV1Z Rast
611.2431.050



400 V AC
16 A

500 V AC
16 A

500 V AC
16 A

500 V AC
16 A

20/min.
1 x 10⁶
-30 °C/+80 °C
-22 °F/+176 °F

50/min.
1 x 10⁶
-30 °C/+80 °C
-22 °F/+176 °F

20/min.
1 x 10⁶
-30 °C/+80 °C
-22 °F/+176 °F

20/min.
1 x 10⁶
-30 °C/+80 °C
-22 °F/+176 °F

UL, CSA

UL, CSA

UL, CSA

UL, CSA

2 x M 20 x 1.5
0.53 kg/1.17 lb

2 x M 20 x 1.5
0.47 kg/1.04 lb

2 x M 20 x 1.5
0.70 kg/1.54 lb

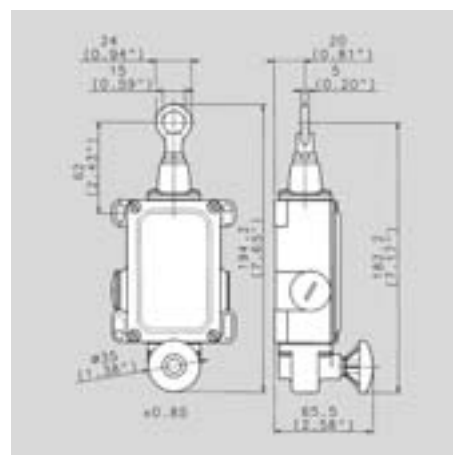
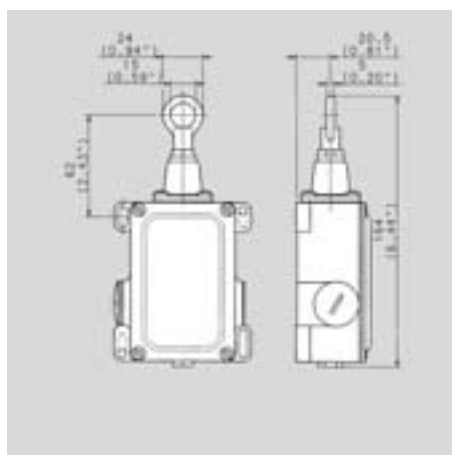
2 x M 20 x 1.5
0.64 kg/1.41 lb

●/-

●/-

●/-

●/-



Metal bodied Rope Pull switches S/Si

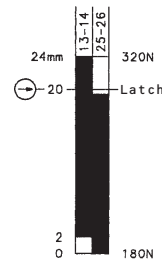
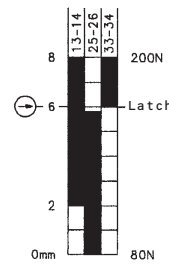
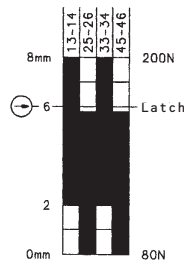
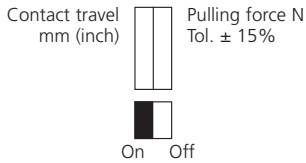
Protection class IP 65



Designation	SiD-UV2Z Rast	SiD-UV1Z/E1 Rast	SiN-UV1Z P-Rast
Part number	601.2441.907	611.2461.041	601.3531.367
Circuit diagram			
⊕ Forced disconnect to IEC 947-5-1 chapter 3			
Za: not galvanically separated contacts			
Zb: galvanically separated contacts			
Slow make & break/snap-action			
Internal seal (iw)/external seal (w)			

●/-	●/-	●/-
●	●	●

●/-	●/-	●/-
●	●	●

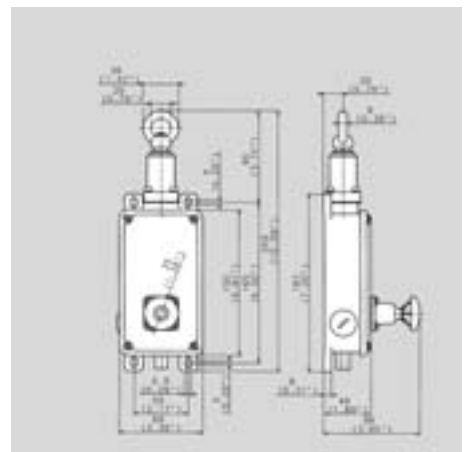
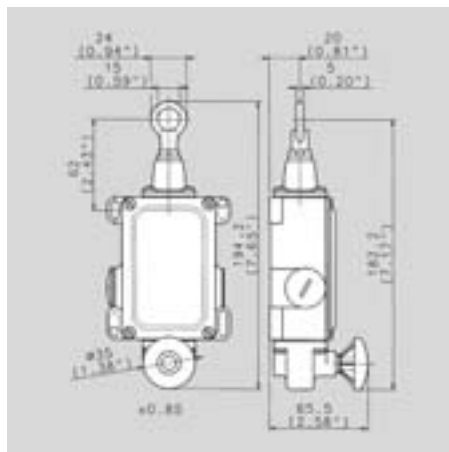


Voltage	max.	400 V AC	400 V AC	500 V AC
Permanent current	max.	16 A	16 A	16 A
In-rush current complies with standards		●	●	●
Switching frequency	max.	20/min.	20/min.	20/min.
Mechanical life – number of switching actions		1 x 10 ⁶	1 x 10 ⁶	1 x 10 ⁶
Operating temperature	min./max.	-30 °C/+80 °C -22 °F/+176 °F	-30 °C/+80 °C -22 °F/+176 °F	-30 °C/+80 °C -22 °F/+176 °F
Approvals		UL, CSA	UL, CSA	UL, CSA
Cable entry		2 x M 20 x 1.5	2 x M 20 x 1.5	2 x M 20 x 1.5
Weight		0.70 kg/1.54 lb	0.70 kg/1.54 lb	1.30 kg/2.87 lb
Delivery: ex-stock/built to order		●/-	●/-	●/-

●/-	●/-	●/-
●	●	●

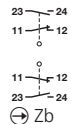
●/-	●/-	●/-
●	●	●

All dimensions in mm (inch)



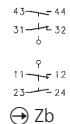


Si1-U2Z AK R-Rast
601.4735.001



⊖ Zb
●/-

Si1-U1Z/U1Z AK R-Rast
601.4735.025

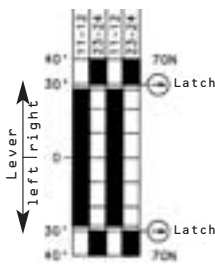
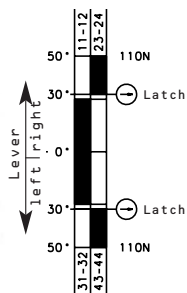
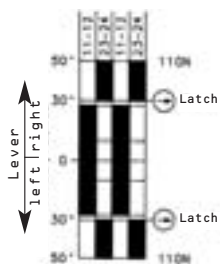


⊖ Zb
●/-

Si2-U2Z AK R-Rast
601.5735.002



⊖ Zb
●/-



250 V AC
10 A

●

250 V AC
10 A

●

500 V AC
10 A

●

10/min.
1 x 10⁶

-30 °C/+80 °C
-22 °F/+176 °F

10/min.
1 x 10⁶

-30 °C/+80 °C
-22 °F/+176 °F

10/min.
1 x 10⁶

-30 °C/+80 °C
-22 °F/+176 °F

UL, CSA

BG, UL, CSA

UL, CSA

1 x M 20 x 1.5
1.60 kg/3.53 lb

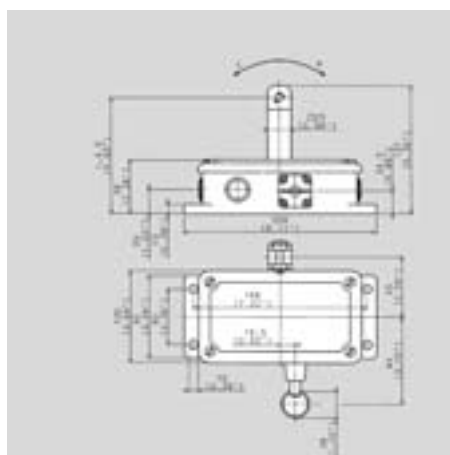
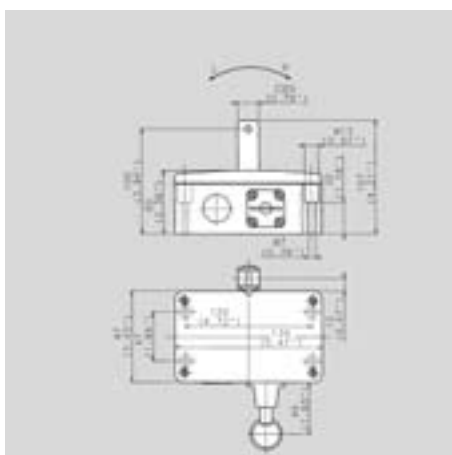
●/-

1 x M 20 x 1.5
1.60 kg/3.53 lb

●/-

3 x M 20 x 1.5
3.80 kg/8.38 lb

●/-



X-ON Electronics

Largest Supplier of Electrical and Electronic Components

Click to view similar products for [Circuit Breaker Accessories](#) category:

Click to view products by [Altech](#) manufacturer:

Other Similar products are found below :

[CSC-403PS](#) [8T1-D-11A](#) [B151-7184-L](#) [NEB10](#) [8C1-C-721](#) [8T1-E-115](#) [8T1-E-275](#) [8T1-E-278](#) [4-1393247-8](#) [4-1393247-9](#) [506-11315-001](#)
[3803221](#) [3803231](#) [NEB6](#) [X10506BF](#) [NES](#) [9-1393249-0](#) [802-ESB50UL489](#) [3RV2011-1CA15](#) [607.5689.127](#) [30.329](#) [CA707/TS/01](#)
[11-32-2733](#) [X10508BF](#) [X22261102](#) [975090700](#) [CX2.5/4/O](#) [975090701](#) [PS-2P](#) [Y30019003](#) [C-TEC1225 P](#) [PS-1006](#) [618.6335.069](#)
[975455700](#) [BAC03](#) [930727103](#) [934097101](#) [ZG20-1](#) [934097100](#) [JX2.5/4](#) [KEM380CUL](#) [CC848756916](#) [JX2.5/6](#) [JX2.5/5](#) [HSP6/10U](#)
[DMRBU BLACK BOX](#) [DB16/BU](#) [DB16/BL](#) [CM2.5S2](#) [973604100](#)