

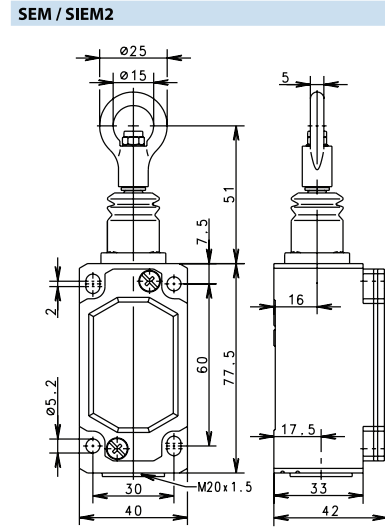
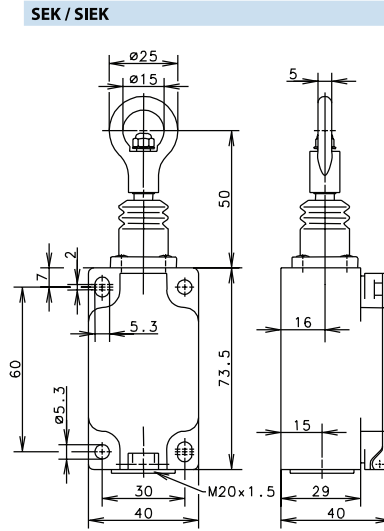
Standard Cable Pull Switches - Momentary



SEK, SIEK, SEM2 and SIEM2 Series



Pull Cable to change contact state, release cable to reset



Variant	Article No. Designation Max. span Type	SEK / SIEK	SEM / SIEM2
Variant 1	601.1811.133 SEK-U1Z 19.6 Ft. (6 Meters) Plastic Body without Tension Monitor		601.2811.029 SEM2-U1Z 19.6 Ft. (6 Meters) Metal Body without Tension Monitor
Variant 2	601.1831.134 SIEK-UV1Z 13 Ft. (4 Meters) Plastic Body with Tension Monitor		601.2831.022 SIEM2-UV1Z 19.6 Ft. (6 Meters) Metal Body with Tension Monitor
Variant 3	Article No. Designation Max. span Type		

Technical Information

Maximum Switching Voltage	240V	240V
Maximum Switching Amperage	10A	16A
B10d	On Request	On Request
Mechanical Service Life	1 x 10 ⁶	1 x 10 ⁶
Switching Frequency	≤ 50/min	≤ 20/min
Operating Temperature	-30 °C to +80 °C	-30 °C to +80 °C
Protection Rating	IP65	IP65
Utilization Category	AC-15, U _e / I _e 240 V / 3 A	AC-15, U _e / I _e 240 V / 3 A
Rate Insulation Voltage	400VAC	400VAC
Approvals		

Drawing dimensions in mm

X-ON Electronics

Largest Supplier of Electrical and Electronic Components

Click to view similar products for [Control Switches](#) category:

Click to view products by [Altech](#) manufacturer:

Other Similar products are found below :

[80887-99](#) [80932-99](#) [86855-00](#) [88814-30](#) [1424293-1](#) [HW4S-2TC10](#) [89721-12](#) [89804-08](#) [SSN](#) [RL01801](#) [ASD2L20N-LVO](#) [50051857-17](#)
[50099156-001-05](#) [51.155R-15200](#) [50058920-26](#) [CP-FA51](#) [CP-FA49](#) [ACCU-SC/L-3000](#) [PP9M](#) [PP87G](#) [PP86GA](#) [PP74G](#) [PP73M](#) [PP73G](#)
[PP71G](#) [PP70G](#) [PP6G](#) [PP62G](#) [PP58BL](#) [PP56G](#) [PP86GB](#) [PP77GA](#) [PP76G](#) [PP4M](#) [PP47G](#) [PP46G](#) [PP41M](#) [PP40G](#) [PP32G](#) [RD-20](#) [PP14M](#)
[PP12G](#) [RD-40](#) [PORTAPRO](#) [PNB-2005](#) [PN-5050/38D](#) [3057.0012](#) [CV-140SB](#) [CV-150](#) [CV-150S](#)