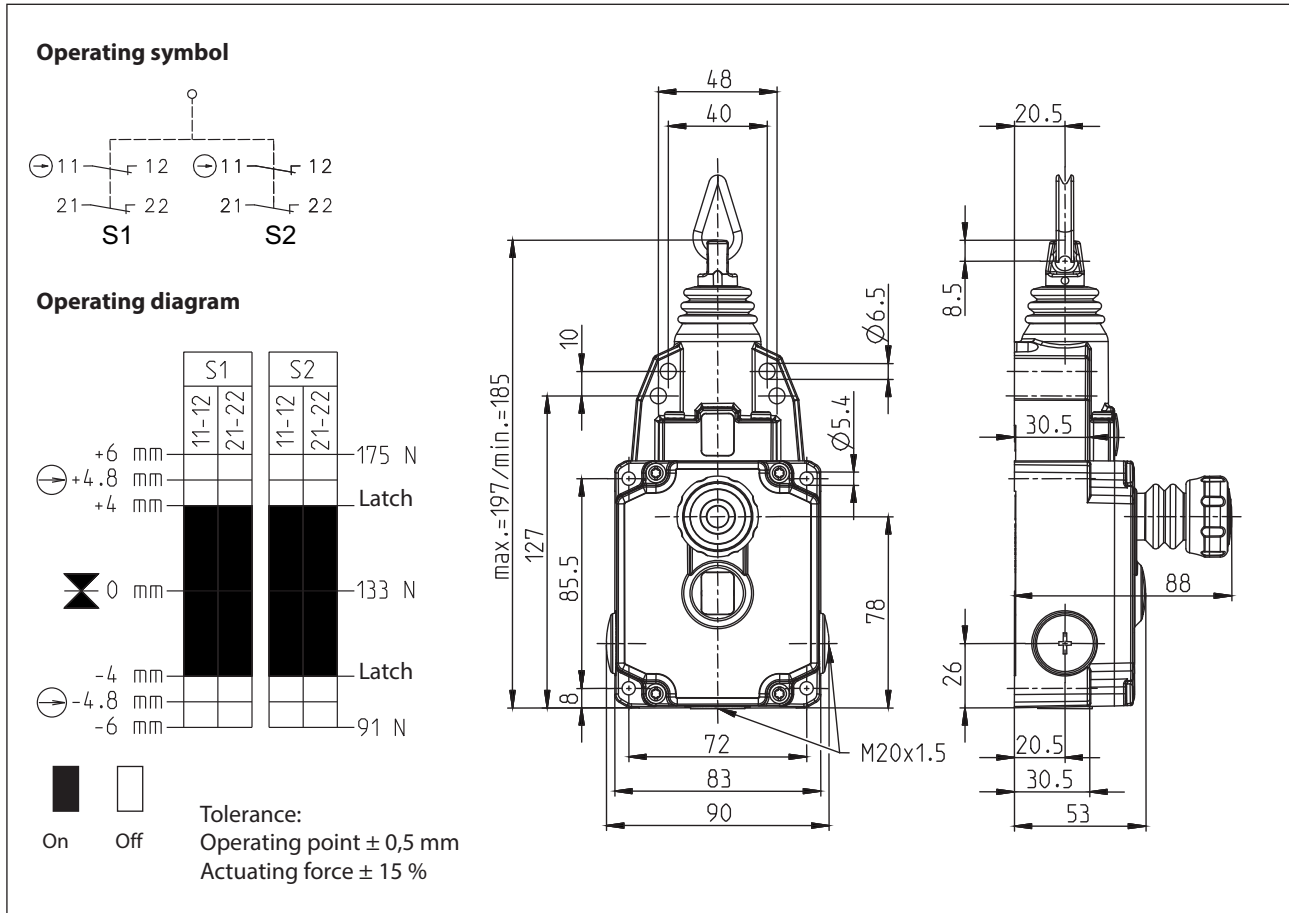


# Rope pull switch

## Series SRM

Description **SRM-A2Z/A2Z-LU-175**

Article number **6012961105**



| Elektrische Daten               |           |  |
|---------------------------------|-----------|--|
| Rated insulation voltage        | $U_i$     | 250 V AC   |
| Conv. thermal current           | $I_{the}$ | 10 A   |
| Rated operational voltage       | $U_e$     | 240 V  |
| Utilization category            |           | AC-15, $U_e / I_e$ 240 V / 3 A, $U_e / I_e$ 120 V / 6 A<br>DC-13, $U_e / I_e$ 250 V / 0,27 A, $U_e / I_e$ 125 V / 0,55 A |
| Direct opening action           | $\ominus$ | acc. to IEC/EN 60947-5-1, Annex K  |
| Short-circuit protective device |           | Fuse 6 A gG  |
| Protection class                |           | I  |

| Mechanical data          |  |
|--------------------------|--|
| Enclosure                | Al-die cast  |
| Cover                    | Al-die cast  |
| Actuator                 | Pull eye (Zn-die cast / st)  |
| Emergency Stop           | PA, glass fibre reinforced   |
| Ambient air temperature  | -30 °C ... +80 °C (no freezing over/ no condensation)                                      |
| Contact type             | 4 NC (Zb) (2 built-in switches S1+S2)  |
| Latching device          | acc. to IEC 60947-5-5, DIN EN 60947-5-5, ISO 13850 (DIN EN 418)                            |
| Reset facility           | pull of the emergency stop acc. to IEC/EN 60947-5-5  |
| Mechanical life          | acc. to IEC 60947-5-5 max. 1 x 10 <sup>5</sup> operating cycles                            |
| Rope length              | ≤ 37,5 m (depends on the max. temperature variation)                                       |
| Rope Ø                   | D = Ø 2 - 5 mm   |
| Switching frequency      | ≤ 20 / min.  |
| Assembly                 | 4 x M6 or 4 x M5   |
| Connection               | 8 screw terminals (M3,5)   |
| Conductor cross-sections | Solid: 0,5 ... 1,5 mm <sup>2</sup><br>Litz wire with ferrules: 0,5 ... 1,5 mm <sup>2</sup> |
| Cable entrance           | 3 x M20 x1,5   |
| Weight                   | ≈ 0,77 kg  |
| Installation position    | Operator definable   |
| Protection type          | IP67 acc. to IEC/EN 60529  |

| ID for safety engineering |                                      |
|---------------------------|--------------------------------------|
| B10d                      | 2 x 10 <sup>5</sup> switching cycles |

| Standards |  |
|-----------|--|
|           | VDE 0660 T100, DIN EN 60947-1, IEC 60947-1     |
|           | VDE 0660 T200, DIN EN 60947-5-1, IEC 60947-5-1 |
|           | VDE 0660 T210, DIN EN 60947-5-5, IEC 60947-5-5 |
|           | ISO 13850                                      |
|           | DIN EN ISO 13849-1                             |

| EU Conformity |                              |
|---------------|------------------------------|
|               | acc. to directive 2006/42/EC |

| Approvals |                         |
|-----------|-------------------------|
|           | DGUV                    |
|           | CCC                     |
|           | cCSA <sub>US</sub> A300 |

| Notes  |  |
|--|--|
| The degree of protection (IP code) specified applies solely to a property closed cover and the use of an equivalent cable gland with adequate cable. |  |
| Maintenance-free installation.   |  |
| Rope with accessories is available on demand.  |  |

## X-ON Electronics

Largest Supplier of Electrical and Electronic Components

*Click to view similar products for [Cable Pull Switches](#) category:*

*Click to view products by [Altech](#) manufacturer:*

Other Similar products are found below :

[601.2831.022](#) [601.1431.869](#) [601.2441.907](#) [601.2999.094](#) [601.2999.096](#) [601.2821.142](#) [601.2821.158](#) [601.2821.150](#) [601.1821.133](#) [44506-5420](#) [44506-5480](#) [XY2CH13270](#) [XY2CH13270H29](#) [XY2CH13250H7](#) [XY2CJS15](#) [XY2CJL15](#) [XY2CJS17](#) [XY2CJS17H29](#) [XY2CJS19](#) [XY2CJS19H29](#) [44506-4120](#) [44506-4010](#) [44506-4110](#) [44506-4130](#) [44506-5010](#) [RP-LM40D-6](#) [RP-LM40D-6L](#) [RP-LS42F-75L](#) [RP-LS42F-75LE](#) [RP-QM90F-100L](#) [RP-QMT72D-20L](#) [RP-RM83F-75LT](#) [RP-RM83F-38LRE](#) [RP-RM83F-38LTE](#) [RP-RM83F-38LT](#) [1CPSA1A](#) [1CPSA1B](#) [1CPSA2](#) [1CPSA2A](#) [1CPSA2B](#) [1CPSA3](#) [1CPSA5](#) [1CPSA6A](#) [1CPSC1](#) [1CPSC2](#) [1CPSC2A](#) [2CPSA1A1](#) [2CPSA1A1A](#) [2CPSA1A1B](#) [2CPSA1B1](#)