

Plastic-bodied interlocking safety switch

**SKC
SK**

Protection class IP 65



Designation
Part number
 Circuit diagram
 ⊕ Forced disconnect to IEC 947-5-1 chapter 3
 Za: not galvanically separated contacts
 Zb: galvanically separated contacts
 Slow make & break/snap-action
 Internal seal (iw)/external seal (w)

SKC-A1Z M
601.6169.039

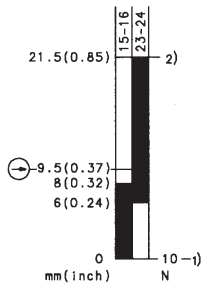
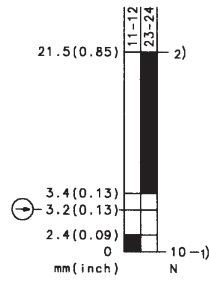
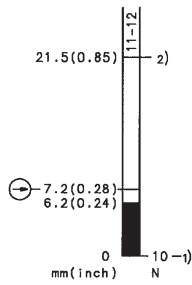
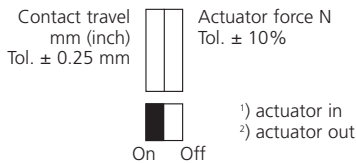
 ⊕ Zb
 ●/-
 iw

SK-U1Z M
601.6119.016

 ⊕ Zb
 ●/-
 iw

SKC-UV1Z M
601.6139.034

 ⊕ Zb
 ●/-
 iw



Voltage max.
 Permanent current max.
 In-rush current complies with standards
 IEC 947-5-1 AC 15/DC 13
 Switching frequency max.
 Mechanical life – number of switching actions
 Operating temperature min./max.

500 V AC
 10 A
 ●
 30/min.
 1 x 10⁶
 -30 °C/+80 °C
 -22 °F/+176 °F

500 V AC
 10 A
 ●
 30/min.
 1 x 10⁶
 -30 °C/+80 °C
 -22 °F/+176 °F

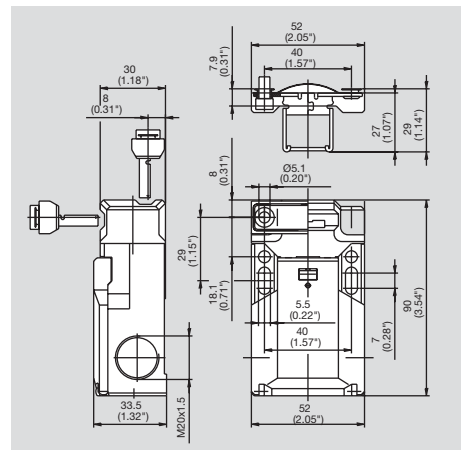
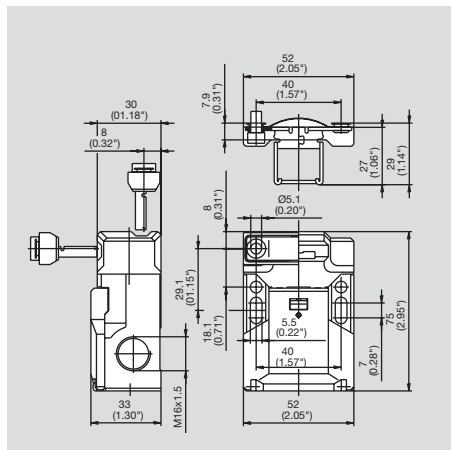
500 V AC
 10 A
 ●
 30/min.
 1 x 10⁶
 -30 °C/+80 °C
 -22 °F/+176 °F

Approvals
 Weight
 Delivery: ex-stock/built to order

BG, UL, CSA
 0.11 kg/0.24 lb
 ●/-

BG, UL, CSA
 0.13 kg/0.29 lb
 ●/-

All dimensions in mm (inch)



SK-UV15Z M	SK-UV16Z M	SK-A2Z M
601.6169.026	601.6169.027	601.6169.036
●/-	●/-	●/-
iw	iw	iw
400 V AC	400 V AC	500 V AC
6 A	6 A	10 A
●	●	●
30/min.	30/min.	30/min.
1 x 10 ⁶	1 x 10 ⁶	1 x 10 ⁶
-30 °C/+80 °C	-30 °C/+80 °C	-30 °C/+80 °C
-22 °F/+176 °F	-22 °F/+176 °F	-22 °F/+176 °F
BG, UL, CSA	BG, UL, CSA	BG, UL, CSA
0.13 kg/0.29 lb	0.13 kg/0.29 lb	0.13 kg/0.29 lb
●/-	●/-	●/-

Actuator selection table

SKC/SK

Safety switch
DIN EN 60947-5-1

-  Forced disconnection of NC contacts
- Galvanically separated contacts according to Zb form

Approvals

- UL, CSA
- BG



Actuator M

- Metal
- Stainless steel



Actuator P

- Thermoplastic
- Polyamide

Standard models	Actuator retention force	Contact diagram
Single & double poles		
SKC-A1Z	10N	
SKC-A1Z F30	30N	
SKC-A1Z Fi100	100N	
SK-U1Z	10N	
SK-U1Z F30	30N	
SK-U1Z Fi100	100N	
SK-UV1Z	10N	
SK-UV1Z F30	30N	
SK-UV1Z Fi100	100N	
SK-A2Z	10N	
SK-A2Z F30	30N	
SK-A2Z Fi100	100N	
SK-SU1Z	10N	
SK-SU1Z F30	30N	
SK-SU1Z Fi100	100N	

Part number	Part number
Designation	Designation
601.6169.039	601.6169.054
SKC-A1Z M	SKC-A1Z P
○	○
601.6169.003	-
SKC-A1Z Fi100 M	
601.6119.016	601.6119.035
SK-U1Z M	SK-U1Z P
611.6119.109	○
SK-U1Z F30 M	
601.6119.001	-
SK-U1Z Fi100 M	
601.6139.034	○
SK-UV1Z M	
○	○
○	-
601.6169.036	○
SK-A2Z M	
601.6169.053	○
SK-A2Z F30 M	
601.6169.024	-
SK-A2Z Fi100 M	
○	○
○	○
○	-

Standard models	Actuator retention force	Contact diagram
Three poles		
SK-UV15Z	10N	
SK-UV15Z F30	30N	
SK-UV15Z Fi100	100N	
SK-UV16Z	10N	
SK-UV16Z F30	30N	
SK-UV16Z Fi100	100N	

Part number	Part number
Designation	Designation
601.6169.026	○
SK-UV15Z M	
601.6169.061	○
SK-UV15Z F30 M	
601.6169.025	-
SK-UV15Z Fi100 M	
601.6169.027	○
SK-UV16Z M	
○	○
○	-

○ Technically possible (on request)
- Not available



Actuator F

- Spring loaded to accommodate over-travel
- Stainless steel or polyamide



Actuator MRU

- Adjustable horizontally & vertically
- Flexible
- Stainless steel
- Spring loaded to accommodate overtravel

Part number	Part number
Designation	Designation
○	601.6169.087
○	SKC-A1Z MRU
○	○
○	○
601.6119.074	601.6119.084
SK-U1Z PF	SK-U1Z MRU
○	○
○	○
○	○
○	○
○	○
○	601.6169.085
○	SK-A2Z MRU
○	○
○	601.6169.032
○	SK-A2Z Fi100 MRU
○	○
○	○
○	○

Part number	Part number
Designation	Designation
601.6169.063	601.6169.086
SK-UV15Z MF	SK-UV15Z MRU
○	○
○	○
○	○
○	○
○	○
○	○

Technical data Standard models single & double poles

Insulation voltage:
 $U_i = 500 \text{ V}$

Thermal constant current:
 $I_{th} = 10 \text{ A}$

Switching frequency:
Max. 30/min.

Mechanical life:
 1×10^6 cycles

Operating temperature:
 $-30 \text{ }^\circ\text{C}/+80 \text{ }^\circ\text{C}$
 $-22 \text{ }^\circ\text{F}/+176 \text{ }^\circ\text{F}$

Weight:
0.13 kg/0.29 lbs

Technical data Standard models three poles

Insulation voltage:
 $U_i = 400 \text{ V}$

Thermal constant current:
 $I_{th} = 6 \text{ A}$

Switching frequency:
Max. 30/min.

Mechanical life:
 1×10^6 cycles

Operating temperature:
 $-30 \text{ }^\circ\text{C}/+80 \text{ }^\circ\text{C}$
 $-22 \text{ }^\circ\text{F}/+176 \text{ }^\circ\text{F}$

Weight:
0.13 kg/0.29 lbs

- **Forced Ejection (FE):**
The actuator mechanism is spring loaded to forcibly eject the actuator.
- **Actuator Retention (F 30, Fi 100)**
This model retains the actuator with the indicated force in Newtons.
- **MRU Actuator:**
This actuator is spring mounted to accommodate some misalignment as well as over travel.

Important note:

To ensure safety integrity, actuators should only be purchased together with the safety switch.

X-ON Electronics

Largest Supplier of Electrical and Electronic Components

Click to view similar products for [Keylock Switches](#) category:

Click to view products by [Altech](#) manufacturer:

Other Similar products are found below :

[89496-09](#) [89638-00](#) [58J9A90-01C02N](#) [719-0022-020](#) [719-0122-000](#) [719-0201-000](#) [719-0202-000](#) [719-0702-000](#) [84800-04](#) [88521-00](#)
[GKNC33L](#) [GKNC3L](#) [PVA2OAH5](#) [14-136.025K](#) [14-235.022K](#) [AS6H-2K2A](#) [AS6M-2K1B](#) [1571487-1](#) [HW4K-2BF20](#) [JD7510H](#)
[K6SLYE1.55NL327SD](#) [KH3C-20C](#) [89638-05](#) [A028301](#) [A165K-J2AL-2](#) [A165K-J2M-2](#) [A165K-J3AMR](#) [A165K-J3M](#) [205389 \(PAYGUARD](#)
[BUTTON PAD\)](#) [2SWK131AL102](#) [30PA39-AML](#) [LW6MJ-2C64WWB](#) [AS6M-2K1A](#) [51-401.036D](#) [51-401.036K](#) [51-414.036D](#) [HW1K-](#)
[3HF20](#) [4370039](#) [Y1112-2027CLFT](#) [4B01H322NCFQ](#) [51-155.025D](#) [51-195.025D](#) [51-378.AD](#) [51-404.036D](#) [51-405.036D](#) [51-415.036D](#) [1-](#)
[1437597-8](#) [86945-05](#) [88169-05](#) [719-0204-000](#)