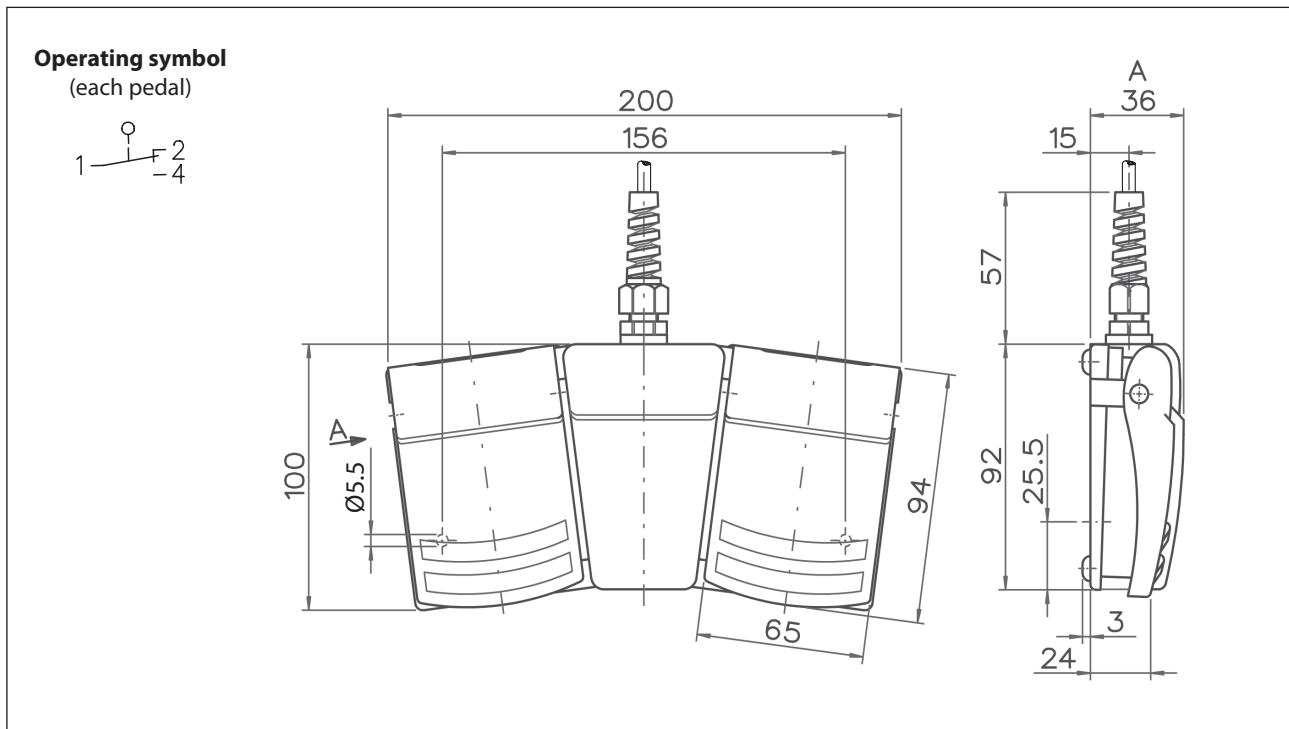


Foot-switch
Series KFM2

Description **KFM2-SU1/SU1 SW**

Article number **6069200006**



Electrical data

Rated operational current	I_e	4 A
Rated operational voltage	U_e	240 V AC
Protection class		II, fully insulated

Mechanical Data	
Enclosure	PA6.6 glass fibre reinforced, black-gray (RAL 7021)
Actuator	2 x Foot lever PA6.6 glass fibre reinforced, black-gray (RAL 7021)
Ambient air temperature	-20 °C ... +80 °C
Contact type (each pedal)	1 changeover
Mechanical life	1 x 10 ⁶ switching cycles
Connection	PVC-control cable, composition corresponds to H05VV-F, S=0,5 mm ² , black, length 2 m
Number of connections	6
Conductor cross-sections	0,5 mm ²
Cable entry size	1 x cable gland M12 x 1,5 with bend protection
Protection type	IP 65 acc. to IEC/EN 60529

Standards
DIN EN 61058-1

EU Conformity
acc. to directive 2014/35/EU

Notes
The degree of protection (IP code) specified applies only to a properly closed cover.

X-ON Electronics

Largest Supplier of Electrical and Electronic Components

Click to view similar products for [Foot Switches](#) category:

Click to view products by [Altech](#) manufacturer:

Other Similar products are found below :

[51.155R-15200](#) [606.1100.005](#) [606.1300.011](#) [606.1600.006](#) [616.1000.560](#) [606.2330.021](#) [616.1000.626](#) [9002AW1](#) [19279-0153](#)
[FS57003PLT2B2M1QE](#) [FS57003PLT2B2M2QE](#) [FS5700DPLT2B2M1QE](#) [FS5700DPLT2B2M2QE](#) [FS5700DPMT2B2M1QEH](#)
[FS5700DPMT2B2M2QE](#) [FS5700SPLT2B2M1QE](#) [FS5700SPLT2B2M2QE](#) [FS5700SPMT2B2M1QE](#) [FS5700SPMT2B2M2QE](#) [2410.0501](#)
[51.001B](#) [2410.1001](#) [FS57003PLT2B2M1QEH](#) [FS5700SPLT2B2M1QEH](#) [FS5700SPMT2B2M1QEH](#) [FS5700DPLT2B2M1QEH](#) [551169-1](#)
[551170-1](#) [423](#) [51.002B](#) [51.015B](#) [51.605B](#) [606.1900.062](#) [606.2720.020](#) [616.2000.418](#) [2410.0301](#) [2410.0401](#) [63816-1905](#) [XPEM111](#)
[1424293-1](#) [679502-1](#)