

Position & Limit Switches

IN73 Series - Plastic Body



Good to know ...

Our new standard switch, the IN73, is the latest in our ENK-series. It offers a modular, robust enclosure and a wide range of actuators made of metal. In mechanical and plant engineering, it is used as a position and safety switch in rough environments as it features additional fixing holes to achieve a better installation.

The “big brother” of the IN65, it has a similar modular design, however there is an important difference: Whereas the C14 switch insert (introduced on page 37) has 2 contacts, the IN73 can be equipped with the C17 switch insert with 4 contacts.

The modular design and the easy way to change the actuator allows for a great variety of applications, for example for monitoring doors, hoods, and flaps, or for detecting the position of moving machine parts. The IN73 is as cost effective as a plastic enclosed switch, robust to install like a metal switch, and clever due to its modular design and easy to change actuators.



2 OR 4 CONTACTS

Position & Limit Switches

IN73 Series - Plastic Body

Technical design

- Slow- and snap-action
- **Versions:**
 - With C14 switch insert: 2 NC, 2 NO, 1 NC/1 NO
 - With C17 switch insert: 4 NO, 4 NC, 2 NO/2 NC
 - 1 NC/3 NO and 3 NC/1 NO

Technical data

Electrical data		
Design insulation voltage	U_i max.	400 V AC
Conventional thermoelectric current	(up to) I_{the}	5 A
Rated operating voltage	U_e max.	240 V AC
Utilisation category (up to)		AC-15, U_e/I_e 240 V/3 A DC-13 U_e/I_e 24 V/1.5 A
Short-circuit protection (up to)		Safety fuse 4 A gG
Protection class		II, protective insulation
Mechanical data		
Enclosure/Cover material		Thermoplastics, glass-fibre reinforced (UL 94-V0)
Ambient temperature		-30 °C to +75 °C
Mechanical lifetime (up to)		10×10^6 switching cycles
B10d NC Contact cycles (up to)		20 million
B10d NO Contact cycles (up to)		1 million
Switching frequency		≤ 60/min.
Type of connection		4 screwed connections (M3)
Conductor cross-sections		Single-wire 0.5 – 1.5 mm ² or strand with wire-end ferrule 0.5 – 1.5 mm ²
Cable entry		1 × M20 × 1.5
Protection class		IP66/IP67 according to EN 60529; DIN VDE 0470 T1
Standards		

VDE 0660 T211, DIN EN 60947-5-4, IEC 60947-5-4
DIN EN ISO 13849-1, DIN EN ISO 13849-2

① Depending on switching system

Product characteristics

- High reliability at low currents (1 mA/24 VDC)
- Up to 4 contacts
- Actuator and installation collar with mounting holes made of metal
- Easy turning (8 x 45°) and changing of the actuators without a tool
- Standard switch and standard actuator according to DIN EN 50041



Options

- Available with an M12 connector
- On request, available with customised cables and connectors

Mounting

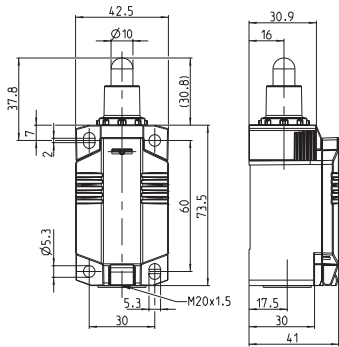
- 2 oval holes for adjustment for M5 screws
- 2 round holes for M5 screws for fixing when used for safety applications

Position & Limit Switches

IN73 Series - Plastic Body

IN73-... SM

Replacement actuator: 3918022415



	1 NC / 1 NO	2 NC	2 NO	2 NC / 2 NO
--	-------------	------	------	-------------

Slow-action system	608100002 IN73-11 SM 	608100004 IN73-20 SM 	608100006 IN73-02 SM 	608100008 IN73-22 SM
--------------------	------------------------------------	------------------------------------	------------------------------------	------------------------------------

Snap-action system	608100001 IN73-S11 SM 	608100003 IN73-S20 SM 	608100005 IN73-S02 SM
--------------------	-------------------------------------	-------------------------------------	-------------------------------------

	4 NC	4 NO	3 NC / 1 NO	1 NC / 3 NO	1 NC / 1 NO overlapping
--	------	------	-------------	-------------	-------------------------

Slow-action system	608100009 IN73-40 SM 	608100010 IN73-04 SM 	608100011 IN73-31 SM 	608100012 IN73-13 SM 	608100007 IN73-V11 SM
--------------------	------------------------------------	------------------------------------	------------------------------------	------------------------------------	-------------------------------------

Position & Limit Switches

IN73 Series - Plastic Body



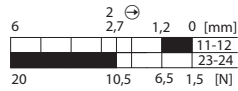
Replacement actuator: 3918172417

IN73-... RM

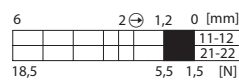
	1 NC / 1 NO	2 NC	2 NO	2 NC / 2 NO
--	-------------	------	------	-------------

Slow-action system

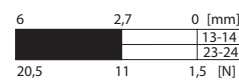
608100014
IN73-11 RM



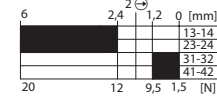
608100016
IN73-20 RM



608100018
IN73-02 RM



608100020
IN73-22 RM

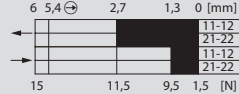


Snap-action system

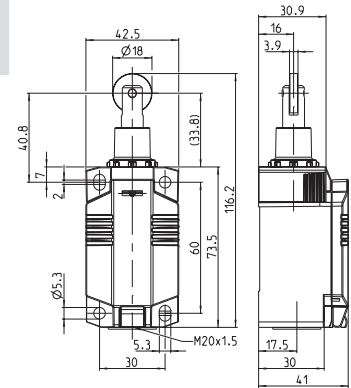
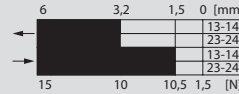
608100013
IN73-S11 RM



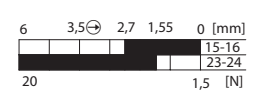
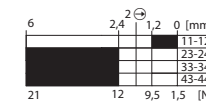
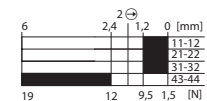
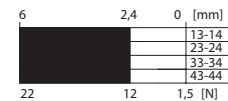
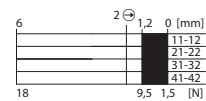
608100015
IN73-S20 RM



608100017
IN73-S02 RM



4 NC	4 NO	3 NC / 1 NO	1 NC / 3 NO	1 NC / 1 NO overlapping
------	------	-------------	-------------	-------------------------

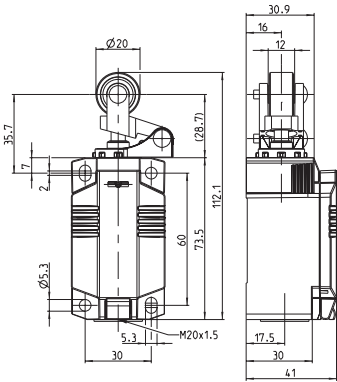


Position & Limit Switches

IN73 Series - Plastic Body

IN73-... HK

Replacement actuator: 3918202432



	1 NC / 1 NO	2 NC	2 NO	2 NC / 2 NO
--	-------------	------	------	-------------

Slow-action system	608100026 IN73-11 HK 	608100028 IN73-20 HK 	608100030 IN73-02 HK 	608100032 IN73-22 HK
--------------------	------------------------------------	------------------------------------	------------------------------------	------------------------------------

Snap-action system	608100025 IN73-S11 HK 	608100027 IN73-S20 HK 	608100029 IN73-S02 HK
--------------------	-------------------------------------	-------------------------------------	-------------------------------------

	4 NC	4 NO	3 NC / 1 NO	1 NC / 3 NO	1 NC / 1 NO overlapping
--	------	------	-------------	-------------	-------------------------

Slow-action system	608100033 IN73-40 HK 	608100034 IN73-04 HK 	608100035 IN73-31 HK 	608100036 IN73-13 HK 	608100031 IN73-V11 HK
--------------------	------------------------------------	------------------------------------	------------------------------------	------------------------------------	-------------------------------------

Position & Limit Switches

IN73 Series - Plastic Body

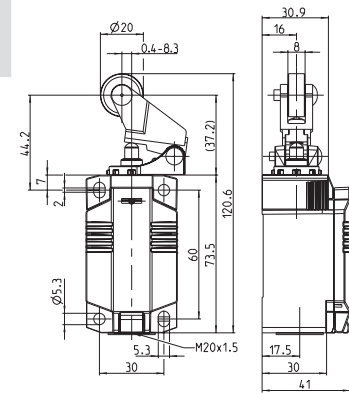


Replacement actuator: 3918202428

IN73-... DGHK



	1 NC / 1 NO	2 NC	2 NO	2 NC / 2 NO
Slow-action system	6081000038 IN73-11 DGHK 	6081000040 IN73-20 DGHK 	6081000042 IN73-02 DGHK 	6081000044 IN73-22 DGHK
Snap-action system	6081000037 IN73-S11 DGHK 	6081000039 IN73-S20 DGHK 	6081000041 IN73-S02 DGHK 	



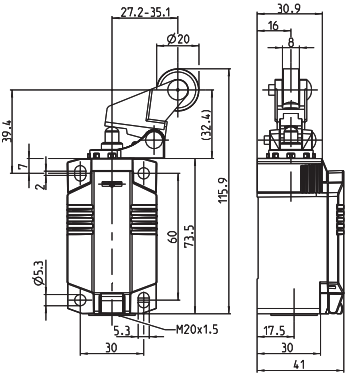
	4 NC	4 NO	3 NC / 1 NO	1 NC / 3 NO	1 NC / 1 NO overlapping
Slow-action system	6081000045 IN73-40 DGHK 	6081000046 IN73-04 DGHK 	6081000047 IN73-31 DGHK 	6081000048 IN73-13 DGHK 	6081000043 IN73-V11 DGHK

Position & Limit Switches

IN73 Series - Plastic Body

IN73-... DGKK

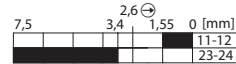
Replacement actuator: 3918202430



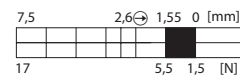
	1 NC / 1 NO	2 NC	2 NO	2 NC / 2 NO
--	-------------	------	------	-------------

Slow-action system

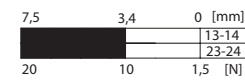
6081000050
IN73-11 DGKK



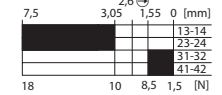
6081000052
IN73-20 DGKK



6081000054
IN73-02 DGKK

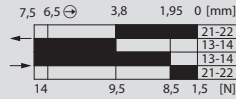


6081000056
IN73-22 DGKK

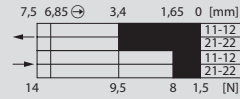


Snap-action system

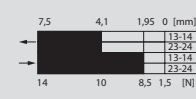
6081000049
IN73-S11 DGKK



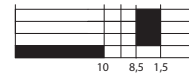
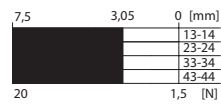
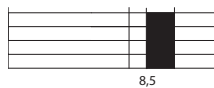
6081000051
IN73-S20 DGKK



6081000053
IN73-S02 DGKK



4 NC	4 NO	3 NC / 1 NO	1 NC / 3 NO	1 NC / 1 NO overlapping
------	------	-------------	-------------	-------------------------



Position & Limit Switches

IN73 Series - Plastic Body



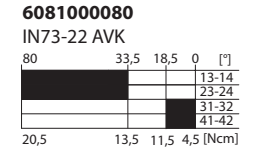
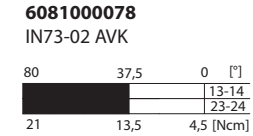
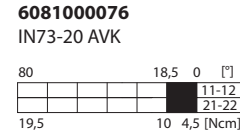
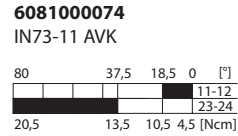
IN73-... AVK

Replacement actuator: 3918362424

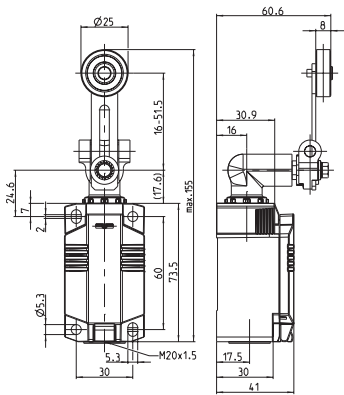
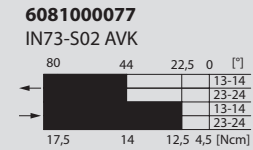
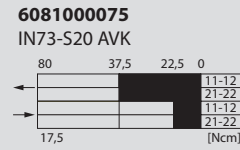
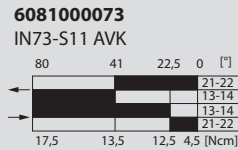


	1 NC / 1 NO	2 NC	2 NO	2 NC / 2 NO
--	-------------	------	------	-------------

Slow-action system

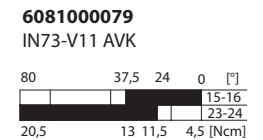
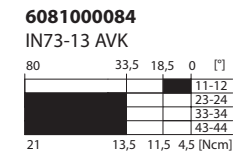
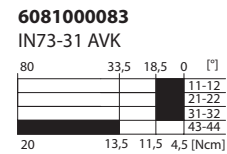
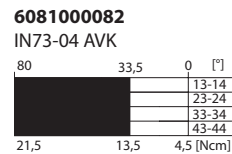
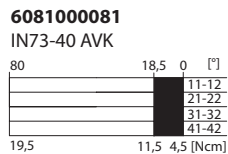


Snap-action system



	4 NC	4 NO	3 NC / 1 NO	1 NC / 3 NO	1 NC / 1 NO overlapping
--	------	------	-------------	-------------	-------------------------

Slow-action system



Position & Limit Switches

IN73 Series - Plastic Body



Replacement actuator: 3918372421

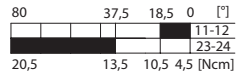
IN73-... AHDM



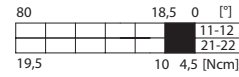
	1 NC / 1 NO	2 NC	2 NO	2 NC / 2 NO
--	-------------	------	------	-------------

Slow-action system

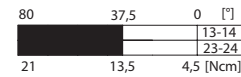
6081000086
IN73-11 AHDM



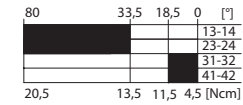
6081000088
IN73-20 AHDM



6081000090
IN73-02 AHDM

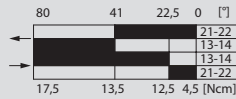


6081000092
IN73-22 AHDM

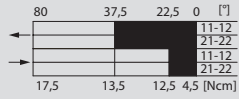


Snap-action system

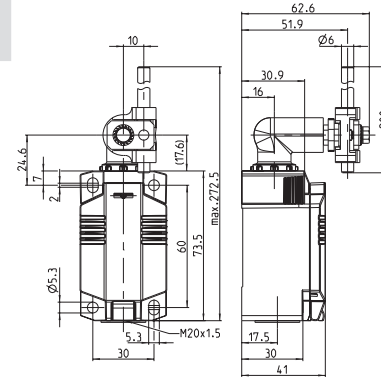
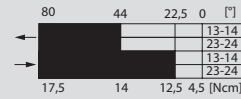
6081000085
IN73-S11 AHDM



6081000087
IN73-S20 AHDM



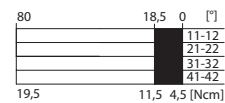
6081000089
IN73-S02 AHDM



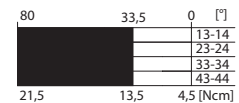
	4 NC	4 NO	3 NC / 1 NO	1 NC / 3 NO	1 NC / 1 NO overlapping
--	------	------	-------------	-------------	-------------------------

Slow-action system

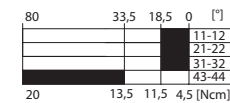
6081000093
IN73-40 AHDM



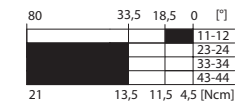
6081000094
IN73-04 AHDM



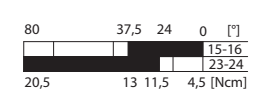
6081000095
IN73-31 AHDM



6081000096
IN73-13 AHDM



6081000091
IN73-V11 AHDM



Position & Limit Switches

IN73 Series - Plastic Body

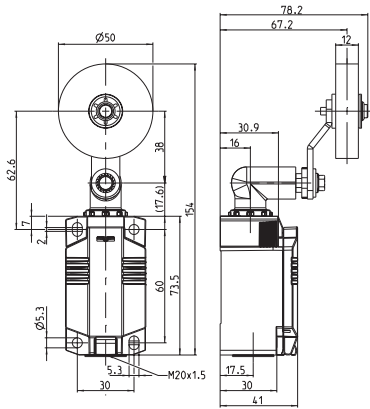


IN73-... AHGU RO50

Replacement actuator: 3918352422



	1 NC / 1 NO	2 NC	1 NC / 1 NO overlapping
Slow-action system	<p>6081000109 IN73-11 AHGU Ro50</p>	<p>6081000110 IN73-20 AHGU Ro50</p>	<p>6081000111 IN73-V11 AHGU Ro50</p>
Snap-action system	<p>6081000108 IN73-S11 AHGU Ro50</p>		



Position & Limit Switches

IN73 Series - Plastic Body



Replacement actuator: 3918362423

IN73-... AVGU RO50

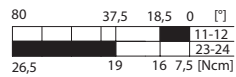
1 NC / 1 NO

2 NC

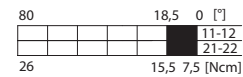
1 NC / 1 NO
overlapping

Slow-action system

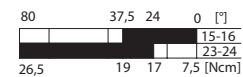
6081000105
IN73-11 AVGU Ro50



6081000106
IN73-20 AVGU Ro50

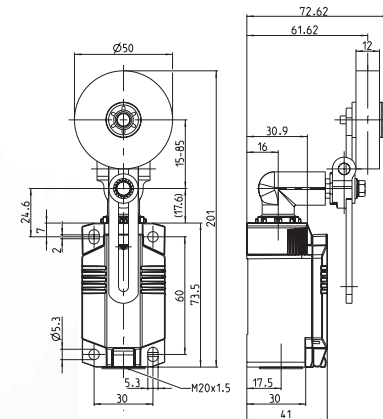
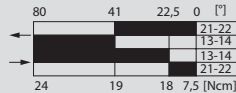


6081000107
IN73-V11 AVGU Ro50



Snap-action system

6081000104
IN73-S11 AVGU Ro50



Position & Limit Switches

IN73 Separate Switch Body and Actuators



SM
3918022415
(Metal plunger)



RK
3918172416
(Plastic roller)



RM
3918172417
(Metal roller)



RP*
3911042418
(Pull switch attachment)



AHK
3918352393
(Plastic roller)



AHM
3918352419
(Metal roller)



AHDK
3918372420
(Plastic)



AHDM
3918372421
(Metal)



AHGU RO
3918352422
(Rubber roller)



AVGU RO
3918362423
(Rubber roller)



AVK
3918362424
(Plastic roller)



AVM
3918362425
(Metal roller)



AVZK
3918362426
(Plastic roller)



AVZM
3918362427
(Metal roller)



DGHK
3918202428
(Plastic roller)



DGHM
3918202429
(Metal roller)



DGKK
3918202430
(Plastic roller)



DGKM
3918202431
(Metal roller)



HK
3918202432
(Plastic roller)



HM
3918202433
(Metal roller)

IN73 partially assembled with a switching unit

		1 NC / 1 NO	2 NC	2 NO	2 NC / 2 NO
Slow-action system	M20	6081000113 IN73-11 M20	6081000115 IN73-20 M20	6081000117 IN73-02 M20	6081000119 IN73-22 M20
	M12	6081000126 IN73-11 03	6081000128 IN73-20 03	6081000130 IN73-02 03	6081000132 IN73-22 05
Snap-action system	M20	6081000112 IN73-S11 M20	6081000114 IN73-S20 M20	6081000116 IN73-S02 M20	
	M12	6081000125 IN73-S11 03	6081000127 IN73-S20 03	6081000129 IN73-S02 03	



		4 NC	4 NO	3 NC / 1 NO	1 NC / 3 NO	1 NC / 1 NO overlapping
Slow-action system	M20	6081000120 IN73-40 M20	6081000121 IN73-04 M20	6081000122 IN73-31 M20	6081000123 IN73-13 M20	6081000118 IN73-V11 M20
	M12	6081000133 IN73-40 05	6081000134 IN73-04 05	6081000135 IN73-31 05	6081000136 IN73-13 05	6081000131 IN73-V11 03

* Can only be used with slow-action systems.

X-ON Electronics

Largest Supplier of Electrical and Electronic Components

Click to view similar products for [Limit Switches](#) category:

Click to view products by [Altech](#) manufacturer:

Other Similar products are found below :

[5ML1-E1](#) [LZG1](#) [LZL1-6C](#) [622EN114-R](#) [622EN18-6](#) [622EN224-6B](#) [622EN230](#) [622EN237-R](#) [622EN69-3](#) [622EN85-RB](#) [MA-10019](#)
[6PA109](#) [7LS51](#) [83547001](#) [83725002](#) [83830001](#) [83840001](#) [83840701](#) [83841001](#) [83881130](#) [83881140](#) [8AS42](#) [8LS125-4PG](#) [8LS152-](#)
[4PGN20](#) [915PA10](#) [91MCE16-P2O](#) [924CE1-S6](#) [924CE1-T25A](#) [924CE1-T3](#) [924CE1-T9A](#) [924CE31-Y20-X5](#) [924CE31-Y3L1](#) [GL-10054](#)
[GL-85714](#) [GLDB03C-6](#) [PS21R-NT11N7-YK0](#) [H3141CAKAA](#) [RDI-G-L5B](#) [DT-2R3-A7](#) [14CE16-3N28](#) [E3102BAAAA](#) [1EN329-R](#) [1LS-J50](#)
[1LS-J51](#) [201SN1A1](#) [21EN275-R2](#) [21EN314-6](#) [21EN90-R1](#) [221CH54-RB](#) [221EN5-R](#)