

Standard Cable Pull Switches - Momentary



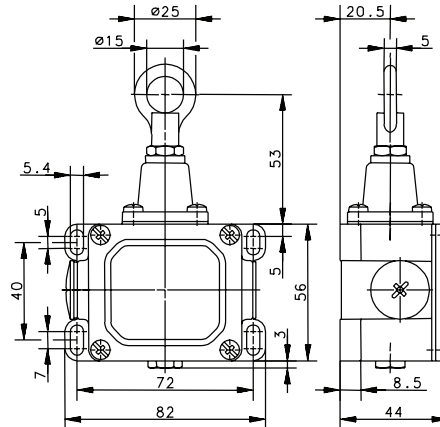
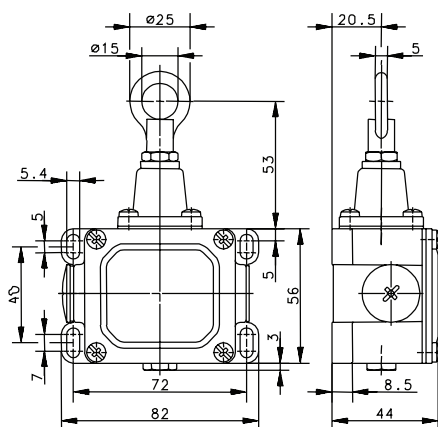
SD and SID Series

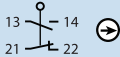
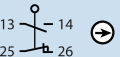
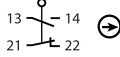
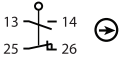
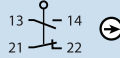
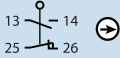


Pull Cable to change contact state, release cable to reset



SD

SID



<p>Variant 1</p>	<p>Article No. Designation Max. span Type</p> <p>601.1411.856 SD-U1 26.2 Ft. (8 Meters) Metal Body without Tension Monitor</p> 	<p>601.1431.857 SID-UV1Z 13.1 Ft. (4 Meters) Metal Body with Tension Monitor</p> 
<p>Variant 2</p>	<p>Article No. Designation Max. span Type</p> <p>611.1411.029 SD-U1 19.7 Ft. (6 Meters) Metal Body without Tension Monitor</p> 	<p>611.1431.022 SID-UV1Z 26.2 Ft. (8 Meters) Metal Body with Tension Monitor</p> 
<p>Variant 3</p>	<p>Article No. Designation Max. span Type</p> <p>611.1411.161 SD-U1 19.7 Ft. (6 Meters) Metal Body without Tension Monitor</p> 	<p>611.1431.069 SID-UV1Z 39.4 Ft. (12 Meters) Metal Body with Tension Monitor</p> 

Technical Information

Maximum Switching Voltage	240V	240V
Maximum Switching Amperage	16A	16A
B10d	On Request	On Request
Mechanical Service Life	1 x 10 ⁶	1 x 10 ⁶
Switching Frequency	≤ 20/min	max. 20/min
Operating Temperature	-30 °C to +80 °C	-30 °C to +80 °C
Protection Rating	IP65	IP65
Utilization Category	AC-15, U _e / I _e 240 V / 3 A	AC-15, U _e / I _e 240 V / 3 A
Rate Insulation Voltage	400VAC	400VAC
Approvals		

X-ON Electronics

Largest Supplier of Electrical and Electronic Components

Click to view similar products for [Cable Pull Switches](#) category:

Click to view products by [Altech](#) manufacturer:

Other Similar products are found below :

[44506-6510](#) [601.2831.022](#) [CLSB2B-2](#) [601.1431.869](#) [601.2441.907](#) [601.2999.094](#) [601.2961.105](#) [601.2999.096](#) [601.2821.142](#) [601.2821.158](#)
[601.2821.150](#) [601.1821.133](#) [44506-5420](#) [44506-5480](#) [XY2CH13270](#) [XY2CH13270H29](#) [XY2CH13250H7](#) [XY2CJS15](#) [XY2CJS15H29](#)
[XY2CJS17](#) [XY2CJS17H29](#) [XY2CJS19](#) [XY2CJS19H29](#) [44506-4120](#) [44506-4010](#) [44506-4110](#) [44506-4130](#) [44506-5010](#) [RP-LM40D-6](#) [RP-](#)
[LM40D-6L](#) [RP-LS42F-75L](#) [RP-QM90F-100L](#) [RP-QMT72D-20L](#) [RP-RM83F-75LT](#) [RP-RM83F-38LRE](#) [RP-RM83F-38LTE](#) [RP-RM83F-](#)
[38LT](#) [1CPSA1A](#) [1CPSA1B](#) [1CPSA2](#) [1CPSA2A](#) [1CPSA2B](#) [1CPSA3](#) [1CPSA5](#) [1CPSA6A](#) [1CPSC1](#) [1CPSC2](#) [2CPSA1A1](#) [2CPSA1A1A](#)
[2CPSA1A1B](#)