

# Single Uncovered Foot Switches



## Single Pedal Without Cover

### STANDARD



Standard OFF-ON Operation - Push pedal to change contact state. Release pedal to return to original state.

### STANDARD with IP67 & IP68 PROTECTION

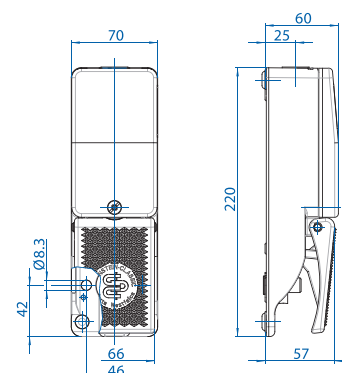
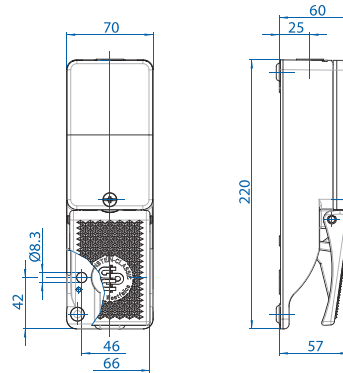
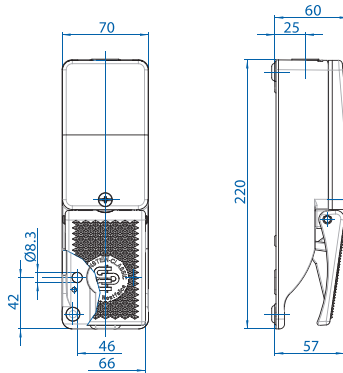


Standard OFF-ON Operation - Push pedal to change contact state. Release pedal to return to original state. With IP67 & IP68 Protection Rating (Temporary Submersion).

### TWO STAGE OPERATION



Two Stage Operation - Press Pedal to change the state of the first set of contacts. Continue to press further to change the second set of contacts.



Single pedal foot switch F1		
Article number	Designation	Switching contacts
<b>Snap-action contact:</b>		
		Pedal 1
606.1300.011	F1-SU1Z	1NC / 1NO
606.1400.061	F1-SU2Z	2NC / 2NO
<b>Slow-action contact:</b>		
		Pedal 1
616.1100.005	F1-U1Z	1NC / 1NO
606.1200.003	F1-U2Z	2NC / 2NO

Single pedal foot switch F1			
Article number	Cable Entry	Designation	Switching contacts
<b>Slow-action contact (IP 67):</b>			
			Pedal 1
616.1100.469	1 x M20	F1-U1Z	1NC / 1NO
616.1100.469	3 x M20	F1-U1Z	1NC / 1NO
<b>Slow-action contact (IP 68):</b>			
			Pedal 1
616.1100.251	1 x M20	F1-U1Z	1NC / 1NO

Single pedal foot switch F1			
Article number	Designation	Switching contacts	Pressure point
<b>Slow-action contact:</b>			
			Pedal 1
606.1200.007	F1-U2ZD	2NC / 2NO	200 N

Drawing dimensions in mm

# Single Uncovered Foot Switches



## Single Pedal Without Cover

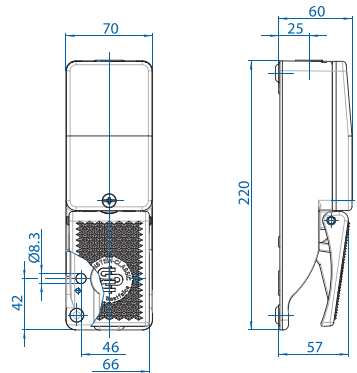
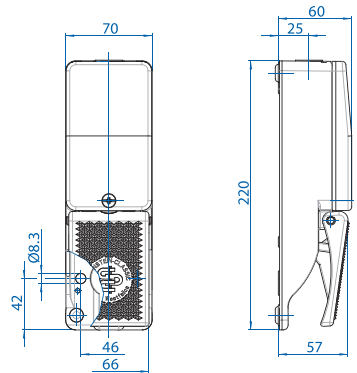
### LATCHING

### ANALOG OUTPUT



Latching Operation - Push pedal to change contact state. When you release the pedal, the contacts remain in that state. Push again to return to original state.

Analog Output Operation - As the pedal is depress, voltage or amperage (depending on model) is increase. Features an additional programmable NP NO signaling contact that activates at a preset level.



Single pedal foot switch F1		
Article number	Designation	Switching contacts
		Pedal 1
616.1000.676	F1-A2Y	2NC
606.1100.001	F1-U1Y	1NC / 1NO

Single pedal foot switch F1		
Article number	Designation	Output Range
616.1500.723	F1-AU0-5	0 - 5 V
616.1500.724	F1-AU0-10	0 - 5 V
616.1500.725	F1-AI0-20	0 - 20 mA
616.1500.726	F1-AI4-20	4 - 20 mA

## Single Uncovered Foot Switches



### Single Pedal With Kick Protection

**STANDARD with Anti Trip**



Standard OFF-ON Operation - Push forward in the Anti Trip Pedal Lock to release. Push down pedal to change contact state. Release pedal to return to original state.

**STANDARD with Protective Hinged Cover**

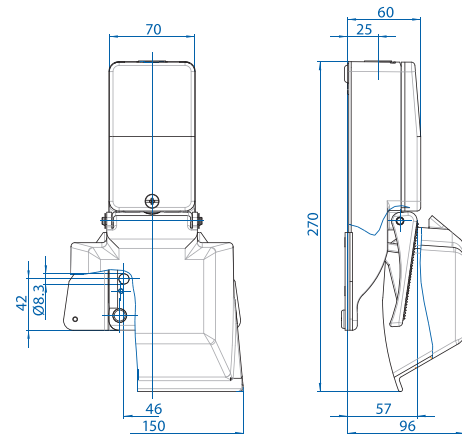
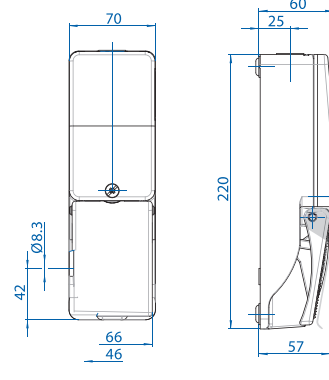
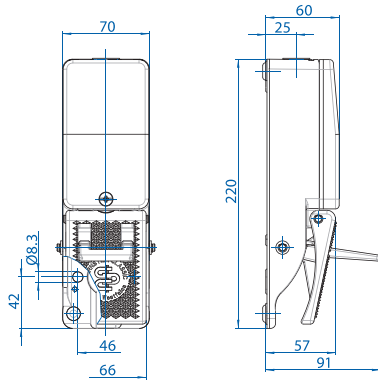


Standard OFF-ON Operation - Lift protective hinged cover up to activate pedal. Push pedal down to change contact state. Release pedal to return to original state. With IP67 Protection Rating (Temporary Submersion).

**STANDARD with Protective Shroud**



Standard OFF-ON Operation - Lift protective hinged Shroud up to activate pedal. Push pedal down to change contact state. Release pedal to return to original state.



Single pedal foot switch F1		
Article number	Designation	Switching contacts
616.1100.554	F1-U1Z AT	1NC / 1NO

Single pedal foot switch F1		
Article number	Designation	Switching contacts
606.1400.572	F1-SU2Z PS	2NC / 2NO

Single pedal foot switch F1		
Article number	Designation	Switching contacts
616.1600.071	F1-U1Z UK	1NC / 1NO

Drawing dimensions in mm

## X-ON Electronics

Largest Supplier of Electrical and Electronic Components

*Click to view similar products for [Foot Switches](#) category:*

*Click to view products by [Altech](#) manufacturer:*

Other Similar products are found below :

[51.155R-15200](#) [606.1100.005](#) [606.1300.011](#) [606.1600.006](#) [616.1000.560](#) [606.2330.021](#) [616.1000.626](#) [9002AW1](#) [19279-0153](#)  
[FS57003PLT2B2M1QE](#) [FS57003PLT2B2M2QE](#) [FS5700DPLT2B2M1QE](#) [FS5700DPLT2B2M2QE](#) [FS5700DPMT2B2M1QEH](#)  
[FS5700DPMT2B2M2QE](#) [FS5700SPLT2B2M1QE](#) [FS5700SPLT2B2M2QE](#) [FS5700SPMT2B2M1QE](#) [FS5700SPMT2B2M2QE](#) [2410.0501](#)  
[51.001B](#) [2410.1001](#) [FS57003PLT2B2M1QEH](#) [FS5700SPLT2B2M1QEH](#) [FS5700SPMT2B2M1QEH](#) [FS5700DPLT2B2M1QEH](#) [551169-1](#)  
[551170-1](#) [423](#) [51.002B](#) [51.015B](#) [51.605B](#) [606.1900.062](#) [606.2720.020](#) [616.2000.418](#) [2410.0301](#) [2410.0401](#) [63816-1905](#) [XPEM111](#)  
[1424293-1](#) [679502-1](#)