

Double Covered Foot Switches



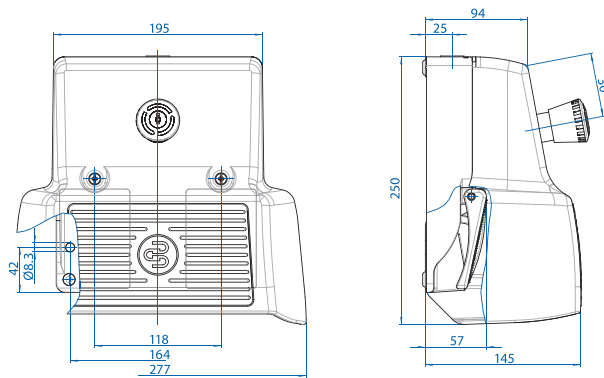
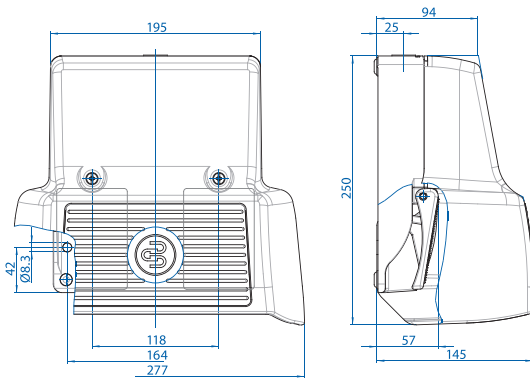
LATCHING

WITH E-STOP BUTTON



Latching Operation -
 Push pedal to change contact state. When you release the pedal, the contacts remain in that state. Push again to return to original state.

Standard OFF-ON Operation -
 Push pedal to change contact state. Release pedal to return to original state. With 2NC contact Emergency Stop



| Two pedal foot switch F2 | | | | |
|--------------------------|-----------------|--------------------|----------------|-------------------|
| Article number | Designation | Switching contacts | | Latching |
| | | Pedal 1 (left) | Pedal2 (right) | |
| 616.2840.655 | F2-SU1Y/SU2Z UN | 1NC / 1NO | 2NC / 2NO | (Pedal 1) |
| 606.2610.018 | F2-U1Y/U1Y UN | 1NC / 1NO | 1NC / 1NO | (Pedal 1+Pedal 2) |
| 606.2610.047 | F2-U1Y/U1Z UN | 1NC / 1NO | 1NC / 1NO | (Pedal 1) |

| Two pedal foot switch F2 | | | | |
|--------------------------|-------------------|--------------------|-----------------|--|
| Article number | Designation | Switching contacts | | |
| | | Pedal 1 (left) | Pedal 2 (right) | |
| 616.2720.700 | F2-U2Z/U2Z NA2 UN | 2NC / 2NO | 2NC / 2NO | |

X-ON Electronics

Largest Supplier of Electrical and Electronic Components

Click to view similar products for [Control Switches](#) category:

Click to view products by [Altech](#) manufacturer:

Other Similar products are found below :

[80887-99](#) [80932-99](#) [86855-00](#) [88814-30](#) [89721-12](#) [89804-08](#) [EX0011-1](#) [SSN](#) [RL01801](#) [50051857-17](#) [50099156-001-05](#) [51.155R-15200](#)
[50058920-26](#) [KMK-PA](#) [RAL9005](#) [M16](#) [ACCU-SC/L-3000](#) [PORTAPRO](#) [CFPS-73-48M](#) [WEL.PT-O6](#) [WEL.PT-L8](#) [WEL.PT-K7](#) [WEL.PT-](#)
[H7](#) [WEL.PT-E9](#) [WEL.PT-D7](#) [WEL.PT-B7](#) [WEL.PT-AA9](#) [WEL.PT-AA8](#) [WEL.PT-A8](#) [WEL.LT-F](#) [WEL.LT-4](#) [WEL.LT-1LX](#) [WEL.LT-1L](#)
[WEL.ET-BB](#) [WEL.CT5B7](#) [WEL.51361699](#) [RGFRA1903041A1T](#) [PLC-60/75](#) [PLC-30/40](#) [PLC-24/30](#) [PLC-40/55](#) [LOC-MIKSER2](#) [8522808](#)
[CC-100N](#) [V8Y-11Z-Y](#) [V8Y-11Z-R](#) [V8Y-11Z-O](#) [V8Y-11Z-24R](#) [V8Y-11Z-24O](#) [V8Y-11Z-230B](#) [V8Y-11-230W](#) [V8Y-11-230O](#)