

# Inductive sensors

M 12 x 1



<b>Rated operating distance</b>	
<b>Mounting</b>	flush  /non-flush
<b>Switching functions</b>	
	Model description
Normally-open (NO)	Part number Wiring diagram (page/pos.)
Stock status: Ex stock/Built to order	
	Model description
Normally-closed (NC)	Part number Wiring diagram (page/pos.)
Stock status: Ex stock/Built to order	
	Model description
Normally-closed/open (NC/NO) selectable	Part number Wiring diagram (page/pos.)
Stock status: Ex stock/Built to order	
	Model description
Complementary	Part number Wiring diagram (page/pos.)
Stock status: Ex stock/Built to order	
<b>Electrical data</b>	
Voltage range	min./max.
Output current	min./max.
Switching frequency	max.
Short-circuit protection	
LED: yellow = switched / green = power	
Sensitivity adjustment	
<b>Mechanical data</b>	
Temperature range	min./max.
Protection type	
Housing material	
Termination	cable 2 m/6.5 ft mm <sup>2</sup> plug (page)
Accessories (page/Pos.)	

## M 12 x 1

2 mm (0.08")

●/-	●/-	●/-
NPN	PNP	AC
KIB-M12NS/ 002-KL2 <b>650.2303.001</b> 263/4 -/-●	KIB-M12PS/ 002-KL2 <b>650.2903.003</b> 263/1 ●/-	KIB-M12AS/ 002-L2 <b>650.3503.001</b> 265/4 ●/-
-	KIB-M12PÖ/ 002-KL2 <b>650.2703.001</b> 263/2 -/-●	KIB-M12AÖ/ 002-L2 <b>650.3403.001</b> 265/5 -/-●
-	-	-

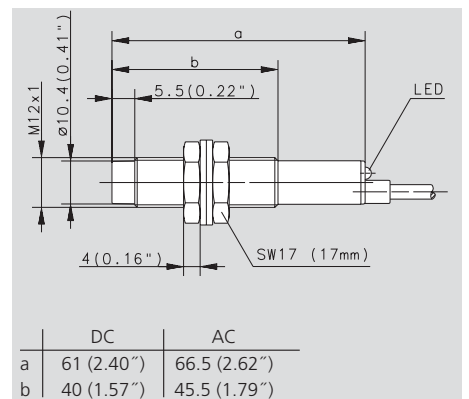
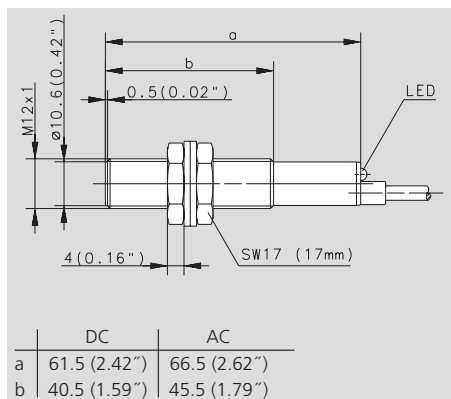
## M 12 x 1

4 mm (0.16")

-/●	-/●	-/●
NPN	PNP	AC
KIN-M12NS/ 004-KL2 <b>650.2304.001</b> 263/4 ●/-	KIN-M12PS/ 004-KL2 <b>650.2904.002</b> 263/1 ●/-	KIN-M12AS/ 004-L2 <b>650.3504.001</b> 265/4 ●/-
KIN-M12NÖ/ 004-KL2 <b>650.2104.001</b> 263/5 -/-●	KIN-M12PÖ/ 004-KL2 <b>650.2704.001</b> 263/2 ●/-	KIN-M12AÖ/ 004-L2 <b>650.3404.001</b> 265/5 -/-●
-	-	-

## Dimension diagrams

All dimensions in mm (inch)



**M 12 x 1****2 mm (0.08")**

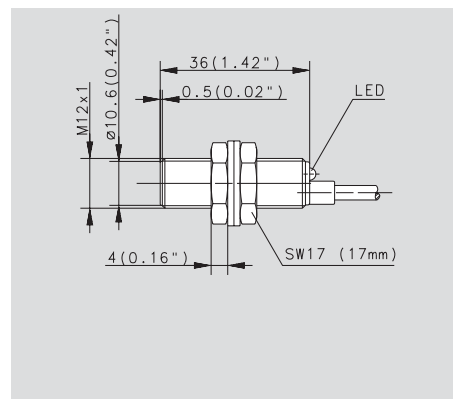
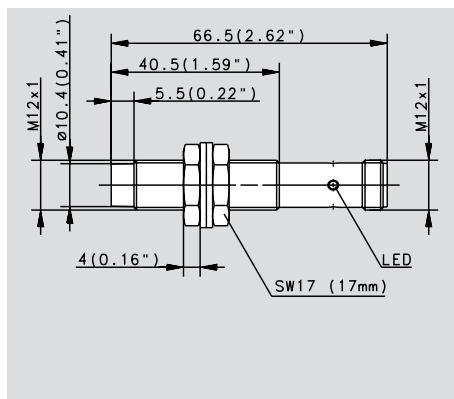
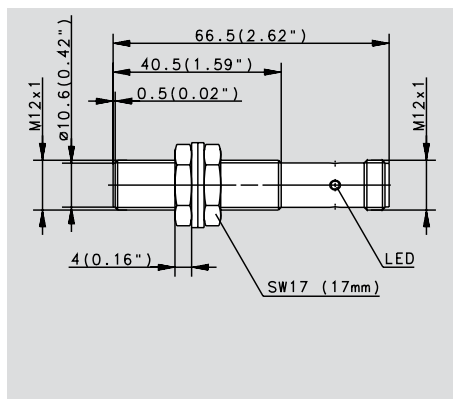
●/-	●/-	-
NPN	PNP	AC
KIB-M12NS/ 002-KLS12	KIB-M12PS/ 002-KLS12	-
<b>650.2343.003</b>	<b>650.2943.012</b>	
263/4	263/1	
-/●	●/-	
-	KIB-M12PÖ/ 002-KLS12	-
	<b>650.2743.003</b>	
	263/2	
	-/●	
-	-	-
-	-	-
-	-	-
-	-	-
10-36 V	10-36 V	-
-/200 mA	-/200 mA	-
800 Hz	800 Hz	-
●	●	-
●/-	●/-	-
-	-	-
-25 °C/+70 °C	-25 °C/+70 °C	-
-13 °F/+158 °F	-13 °F/+158 °F	-
IP 67/NEMA 4	IP 67/NEMA 4	-
CuZn39Pb3	CuZn39Pb3	-
-	-	-
284/285/286	284/285/286	-
-	-	-

**M 12 x 1****4 mm (0.16")**

-	-/●	-
NPN	PNP	AC
-	KIN-M12PS/ 004-KLS12	-
	<b>650.2944.012</b>	
	263/1	
	●/-	
-	KIN-M12PÖ/ 004-KLS12	-
	<b>650.2744.003</b>	
	263/2	
	-/●	
-	-	-
-	-	-
-	-	-
-	-	-
10-36 V	10-36 V	-
-/200 mA	-/200 mA	-
400 Hz	400 Hz	-
●	●	-
●/-	●/-	-
-	-	-
-25 °C/+70 °C	-25 °C/+70 °C	-
-13 °F/+158 °F	-13 °F/+158 °F	-
IP 67/NEMA 4	IP 67/NEMA 4	-
CuZn39Pb3	CuZn39Pb3	-
-	-	-
284/285/286	284/285/286	-
-	-	-

**M 12 x 1****2 mm (0.08")**

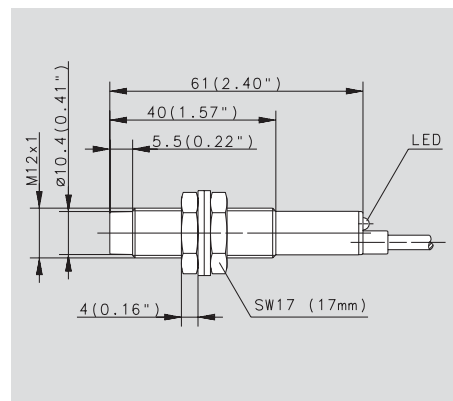
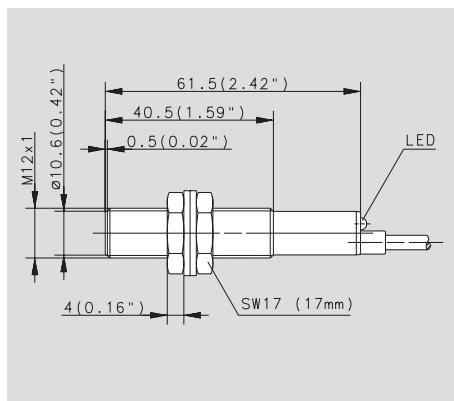
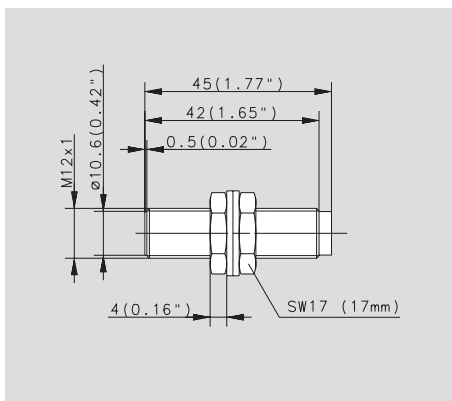
●/-	●/-	-
NPN	PNP	AC
-/●	KIB-M12PS/ 002-KL2V	-
	<b>650.2903.016</b>	
	263/1	
-/●	-/●	
-	KIB-M12NÖ/ 002-KL2V	-
	<b>650.2103.003</b>	
	263/5	
-/●	-/●	
-	-	-
-	-	-
-	-	-
-	-	-
10-36 V	10-36 V	-
-/200 mA	-/200 mA	-
800 Hz	800 Hz	-
●	●	-
●/-	●/-	-
-	-	-
-25 °C/+70 °C	-25 °C/+70 °C	-
-13 °F/+158 °F	-13 °F/+158 °F	-
IP 67/NEMA 4	IP 67/NEMA 4	-
CuZn39Pb3	CuZn39Pb3	-
-	PVC 3x0.14	-
-	PVC 3x0.14	-







M 12 x 1 2 mm (0.08")			M 12 x 1 4 mm (0.16")			M 12 x 1 6 mm (0.24")		
-	●/-	-	-	●/-	-	-/●	-/●	-
<b>NPN</b>	<b>PNP</b>	<b>AC</b>	<b>NPN</b>	<b>PNP</b>	<b>AC</b>	<b>NPN</b>	<b>PNP</b>	<b>AC</b>
-	KIB-M12PS/ 002-KS12V <b>650.2943.006</b> 263/1	-	-	KIB-M12PS/ 004-KL2E <b>650.2903.014</b> 263/1	-	KIN-M12NS/ 006-KL2E <b>650.2304.012</b> 263/4	KIN-M12PS/ 006-KL2E <b>650.2904.009</b> 263/1	-
-	●/-	-	-	●/-	-	-/●	●/-	-
-	KIB-M12PÖ/ 002-KS12V <b>650.2743.005</b> 263/2	-	-	-	-	-	KIN-M12PÖ/ 006-KL2E <b>650.2704.005</b> 263/2	-
-	-/●	-	-	-	-	-	-/●	-
-	-	-	-	-	-	-	-	-
-	-	-	-	-	-	-	-	-
-	10-36 V	-	-	10-60 V	-	10-60 V	10-60 V	-
-	-200 mA	-	-	-200 mA	-	-200 mA	-200 mA	-
-	800 Hz	-	-	800 Hz	-	400 Hz	400 Hz	-
-	●	-	-	●	-	●	●	-
-	●/-	-	-	●/-	-	●/-	●/-	-
-	-	-	-	-	-	-	-	-
-	-25 °C/+70 °C	-	-	-25 °C/+70 °C	-	-25 °C/+70 °C	-25 °C/+70 °C	-
-	-13 °F/+158 °F	-	-	-13 °F/+158 °F	-	-13 °F/+158 °F	-13 °F/+158 °F	-
-	IP 67/NEMA 4	-	-	IP 67/NEMA 4	-	IP 67/NEMA 4	IP 67/NEMA 4	-
-	CuZn39Pb3	-	-	CuZn39Pb3	-	CuZn39Pb3	CuZn39Pb3	-
-	-	-	-	PVC 3x0.14	-	PVC 3x0.14	PVC 3x0.14	-
-	284/285/286	-	-	-	-	-	-	-
-	-	-	-	-	-	-	-	-



# Inductive sensors

M 12 x 1

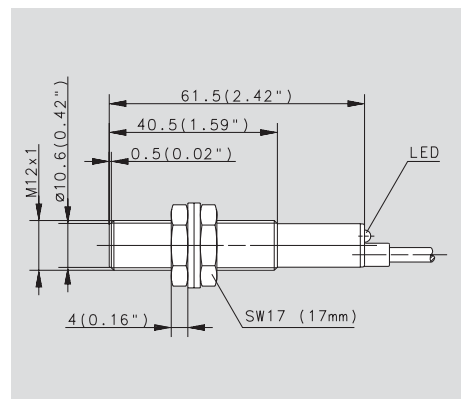
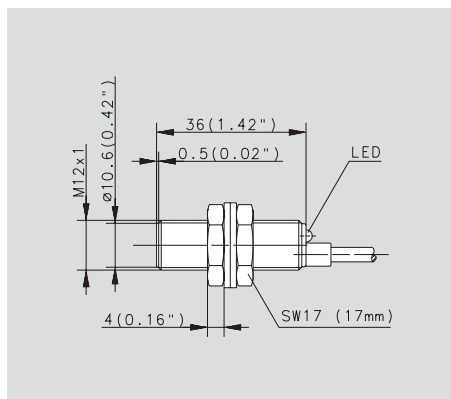


<b>Rated operating distance</b>	
<b>Mounting</b>	flush  /non-flush
<b>Switching functions</b>	
	Model description
Normally-open (NO)	Part number
	Wiring diagram (page/pos.)
Stock status: Ex stock/Built to order	
	Model description
Normally-closed (NC)	Part number
	Wiring diagram (page/pos.)
Stock status: Ex stock/Built to order	
	Model description
Normally-closed/open (NC/NO) selectable	Part number
	Wiring diagram (page/pos.)
Stock status: Ex stock/Built to order	
	Model description
Complementary	Part number
	Wiring diagram (page/pos.)
Stock status: Ex stock/Built to order	
<b>Electrical data</b>	
Voltage range	
Output current	min./max.
Switching frequency	max.
Short-circuit protection	
LED: yellow = switched / green = power	
Sensitivity adjustment	
<b>Mechanical data</b>	
Temperature range	min./max.
Protection type	
Housing material	
Termination	cable 2 m/6.5 ft mm <sup>2</sup>
	plug (page)
Accessories	(page/Pos.)

M 12 x 1 extended sensing distance			M 12 x 1 higher temperature range		
4 mm (0.16")			2 mm (0.08")		
NPN	PNP	AC	NPN	PNP	AC
-	●/-	-	-	●/-	-
-	KIB-M12PS/004-KL2VE	-	-	KIB-M12PS/002-KL2T	-
-	<b>650.2903.023</b>	-	-	<b>650.2903.013</b>	-
-	263/1	-	-	263/1	-
-	●/-	-	-	-/●	-
-	-	-	-	KIB-M12PÖ/002-KL2T	-
-	-	-	-	<b>650.2703.004</b>	-
-	-	-	-	263/2	-
-	-	-	-	-/●	-
-	-	-	-	-	-
-	-	-	-	-	-
-	-	-	-	-	-
-	10-36 V	-	-	10-36 V	-
-	-/200 mA	-	-	-/200 mA	-
-	800 Hz	-	-	800 Hz	-
-	●	-	-	●	-
-	●/-	-	-	●/-	-
-	-	-	-	-	-
-	-25 °C/+70 °C	-	-	0 °C/+100 °C	-
-	-13 °F/+158 °F	-	-	-32 °F/+212 °F	-
-	IP 67/NEMA 4	-	-	IP 67/NEMA 4	-
-	CuZn39Pb3	-	-	CuZn39Pb3	-
-	PVC 3x0.14	-	-	PVC 3x0.14	-
-	-	-	-	-	-
-	-	-	-	-	-

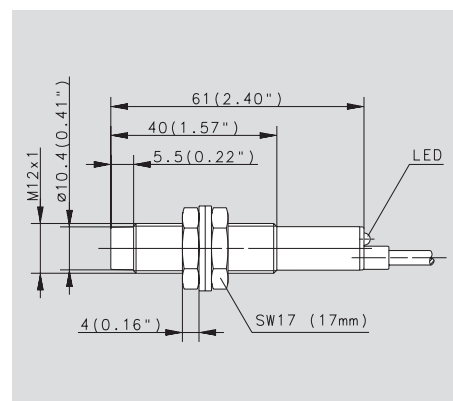
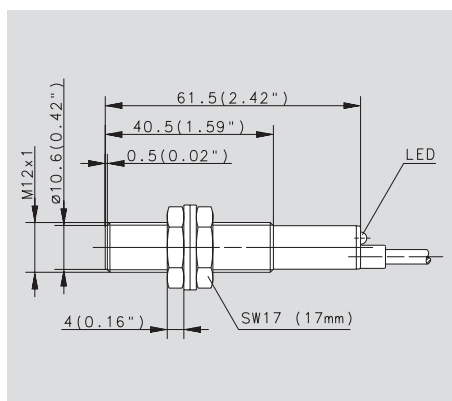
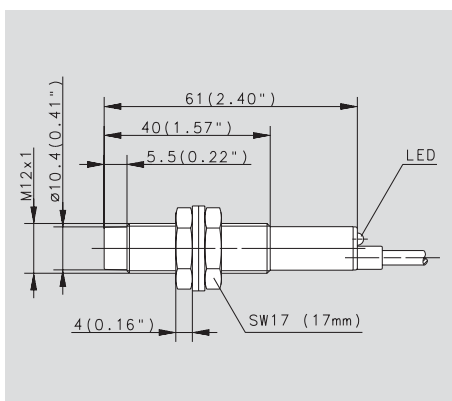
## Dimension diagrams

All dimensions in mm (inch)





M 12 x 1 4 mm (0.16")			M 12 x 1 2 mm (0.08")			M 12 x 1 4 mm (0.16")		
higher temperature range	higher switching frequency	higher switching frequency						
-	-/●	-	●/-	●/-	-	-/●	-/●	-
NPN	PNP	AC	NPN	PNP	AC	NPN	PNP	AC
-	KIN-M12PS/ 004-KL2T <b>650.2904.011</b> 263/1 -/●	-	KIB-M12NS/ 002-KL2F <b>650.2303.005</b> 263/4 -/●	KIB-M12PS/ 002-KL2F <b>650.2903.012</b> 263/1 -/●	-	KIN-M12NS/ 004-KL2F <b>650.2304.006</b> 263/4 -/●	KIN-M12PS/ 004-KL2F <b>650.2904.010</b> 263/1 ●/-	-
-	KIN-M12PÖ/ 004-KL5T <b>650.2704.004</b> 263/2 -/●	-	-	-	-	-	-	-
-	-	-	-	-	-	-	-	-
-	-	-	-	-	-	-	-	-
-	-	-	-	-	-	-	-	-
-	10-36 V	-	10-60 V	10-60 V	-	10-60 V	10-60 V	-
-	-200 mA	-	-200 mA	-200 mA	-	-200 mA	-200 mA	-
-	400 Hz	-	4000 Hz	4000 Hz	-	3000 Hz	3000 Hz	-
-	●	-	●	●	-	●	●	-
-	●/-	-	●/-	●/-	-	●/-	●/-	-
-	-	-	-	-	-	-	-	-
-	0 °C/+100 °C	-	-25 °C/+70 °C	-25 °C/+70 °C	-	-25 °C/+70 °C	-25 °C/+70 °C	-
-	-32 °F/+212 °F	-	-13 °F/+158 °F	-13 °F/+158 °F	-	-13 °F/+158 °F	-13 °F/+158 °F	-
-	IP 67/NEMA 4	-	IP 67/NEMA 4	IP 67/NEMA 4	-	IP 67/NEMA 4	IP 67/NEMA 4	-
-	CuZn39Pb3	-	CuZn39Pb3	CuZn39Pb3	-	CuZn39Pb3	CuZn39Pb3	-
-	PVC 3x0.14	-	PVC 3x0.14	PVC 3x0.14	-	PVC 3x0.14	PVC 3x0.14	-
-	-	-	-	-	-	-	-	-
-	-	-	-	-	-	-	-	-



## X-ON Electronics

Largest Supplier of Electrical and Electronic Components

*Click to view similar products for [Circuit Breaker Accessories](#) category:*

*Click to view products by [Altech](#) manufacturer:*

Other Similar products are found below :

[CSC-403PS](#) [8T1-D-11A](#) [B151-7184-L](#) [NEB10](#) [8C1-C-721](#) [8T1-E-115](#) [8T1-E-275](#) [8T1-E-278](#) [4-1393247-8](#) [4-1393247-9](#) [506-11315-001](#)  
[3803221](#) [3803231](#) [NEB6](#) [X10506BF](#) [NES](#) [9-1393249-0](#) [802-ESB50UL489](#) [3RV2011-1CA15](#) [607.5689.127](#) [30.329](#) [CA707/TS/01](#)  
[11-32-2733](#) [X10508BF](#) [X22261102](#) [975090700](#) [CX2.5/4/O](#) [975090701](#) [PS-2P](#) [Y30019003](#) [C-TEC1225 P](#) [PS-1006](#) [618.6335.069](#)  
[975455700](#) [BAC03](#) [930727103](#) [934097101](#) [ZG20-1](#) [934097100](#) [JX2.5/4](#) [KEM380CUL](#) [CC848756916](#) [JX2.5/6](#) [JX2.5/5](#) [HSP6/10U](#)  
[DMRBU BLACK BOX](#) [DB16/BU](#) [DB16/BL](#) [CM2.5S2](#) [973604100](#)