

Inductive sensors

5 x 5 x 25
 8 x 8 x 40
 8 x 8 x 47
 12 x 12 x 55



Rated operating distance	
Mounting	flush /non-flush
Switching functions	
Model description	
Normally-open (NO)	Part number Wiring diagram (page/pos.) Stock status: Ex stock/Built to order
Model description	
Normally-closed (NC)	Part number Wiring diagram (page/pos.) Stock status: Ex stock/Built to order
Model description	
Normally-closed/open (NC/NO) selectable	Part number Wiring diagram (page/pos.) Stock status: Ex stock/Built to order
Model description	
Complementary	Part number Wiring diagram (page/pos.) Stock status: Ex stock/Built to order
Electrical data	
Voltage range	
Output current	min./max.
Switching frequency	max.
Short-circuit protection	
LED: yellow = switched / green = power	
Sensitivity adjustment	
Mechanical data	
Temperature range	min./max.
Protection type	
Housing material	
Termination	cable 2 m/6.5 ft mm ² plug (page)
Accessories (page/Pos.)	

5 x 5 x 25

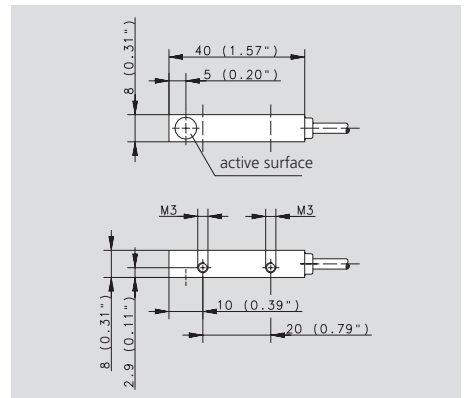
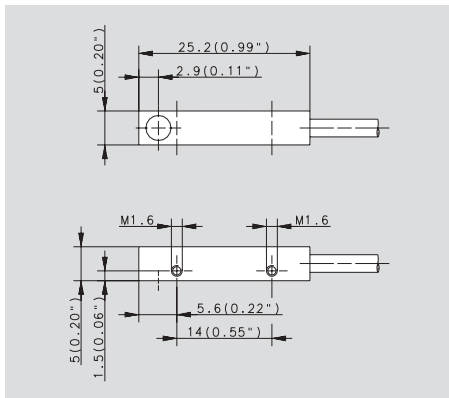
1 mm (0.04")		
NPN	PNP	AC
-	●/-	-
-	KIB-Q05PS/ 001-K2PU	-
-	650.2999.026	-
-	263/1	-
-	●/-	-
-	KIB-Q05PÖ/ 001-K2PU	-
-	650.2799.010	-
-	263/2	-
-	-/●	-

8 x 8 x 40

1.5 mm (0.06")		
NPN	PNP	AC
-	●/-	-
-	KIB-Q08NS/ 1.5-K2	-
-	650.2380.001	-
-	263/4	-
-	-/●	-
-	KIB-Q08PÖ/ 1.5-K2	-
-	650.2980.004	-
-	263/1	-
-	-/●	-
-	263/2	-
-	-	-

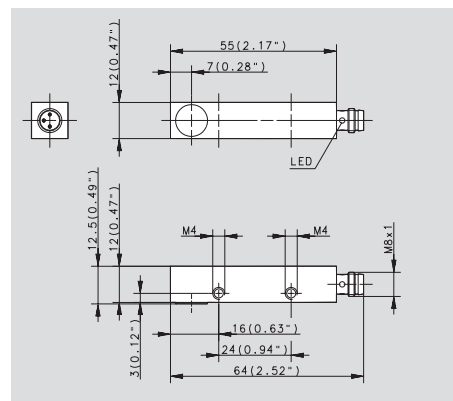
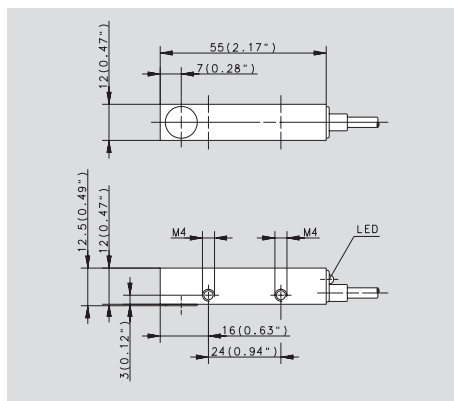
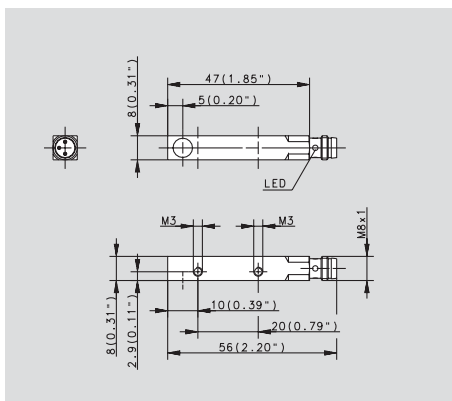
Dimension diagrams

All dimensions in mm (inch)





8 x 8 x 47 1.5 mm (0.06")			12 x 12 x 55 extended sensing distance 4 mm (0.16")			12 x 12 x 55 extended sensing distance 4 mm (0.16")		
NPN	PNP	AC	NPN	PNP	AC	NPN	PNP	AC
-	●/-	-	-	●/-	-	●/-	●/-	-
-	KIB-Q08PS/ 1.5-KLSM8 650.2980.002 263/1	-	-	KIB-Q12PS/ 004-KL2E 650.2999.028 263/1	-	KIB-Q12NS/ 004-KLSM8E 650.2399.021 263/4	KIB-Q12PS/ 004-KLSM8E 650.2999.030 263/1	-
-	●/-	-	-	-/●	-	-/●	●/-	-
-	KIB-Q08PÖ/ 1.5-KLSM8 650.2780.002 263/2	-	-	-	-	-	-	-
-	-/●	-	-	-	-	-	-	-
-	-	-	-	-	-	-	-	-
-	-	-	-	-	-	-	-	-
-	10-36 V	-	-	10-60 V	-	10-36 V	10-36 V	-
-	-200 mA	-	-	-200 mA	-	-200 mA	-200 mA	-
-	1000 Hz	-	-	800 Hz	-	800 Hz	800 Hz	-
-	●	-	-	●	-	●	●	-
-	●/-	-	-	●/-	-	●/-	●/-	-
-	-	-	-	-	-	-	-	-
-	-25 °C/+70 °C	-	-	-25 °C/+70 °C	-	-25 °C/+70 °C	-25 °C/+70 °C	-
-	-13 °F/+158 °F	-	-	-13 °F/+158 °F	-	-13 °F/+158 °F	-13 °F/+158 °F	-
-	IP 67/NEMA 4	-	-	IP 67/NEMA 4	-	IP 67/NEMA 4	IP 67/NEMA 4	-
-	CuZn39Pb3	-	-	CuZn39Pb3	-	CuZn39Pb3	CuZn39Pb3	-
-	-	-	-	PVC 3x0.14	-	-	-	-
-	282/283	-	-	-	-	282/283	282/283	-
-	-	-	-	-	-	-	-	-



X-ON Electronics

Largest Supplier of Electrical and Electronic Components

Click to view similar products for [Circuit Breaker Accessories](#) category:

Click to view products by [Altech](#) manufacturer:

Other Similar products are found below :

[CSC-403PS](#) [8T1-D-11A](#) [B151-7184-L](#) [NEB10](#) [8C1-C-721](#) [8T1-E-115](#) [8T1-E-275](#) [8T1-E-278](#) [4-1393247-8](#) [4-1393247-9](#) [506-11315-001](#)
[3803221](#) [3803231](#) [NEB6](#) [X10506BF](#) [NES](#) [9-1393249-0](#) [802-ESB50UL489](#) [3RV2011-1CA15](#) [607.5689.127](#) [30.329](#) [CA707/TS/01](#)
[11-32-2733](#) [X10508BF](#) [X22261102](#) [975090700](#) [CX2.5/4/O](#) [975090701](#) [PS-2P](#) [Y30019003](#) [C-TEC1225 P](#) [PS-1006](#) [618.6335.069](#)
[975455700](#) [BAC03](#) [930727103](#) [934097101](#) [ZG20-1](#) [934097100](#) [JX2.5/4](#) [KEM380CUL](#) [CC848756916](#) [JX2.5/6](#) [JX2.5/5](#) [HSP6/10U](#)
[DMRBU BLACK BOX](#) [DB16/BU](#) [DB16/BL](#) [CM2.5S2](#) [973604100](#)