



AK Series

The AK Series are small to large enclosures designed to house and protect standard IEC components, such as DIN rail mount circuit breakers, switches, meters and other control devices. Larger than the EK Series, they offer increased capacity for mounting components and provide additional space for more convenient wiring.

The unique cover design features a shrouded cut out and transparent hinged doors for quick access and visibility. The shrouded cut out, spanning the width of the cover, exposes mounted components for easy adjustment while isolating wiring for increased safety. Doors have push release latches with reversible hinge feature to open from the left or right side. Keylocks can be added to the doors for increased security. Most enclosures are supplied with removable

terminal strip assemblies for ground / neutral distribution and DIN rails.

Equipped with pre-installed entry plugs, these enclosures provide IP65 protection. Use of appropriate sealing connector assemblies for wire, cable or conduit entry can maintain IP65 protection. Using the entry spouts provided, enclosures have IP54 protection.

- Direct mount
- Corrosion and maintenance free
- Small to large size
- Polystyrene or Polycarbonate base and cover
- Polycarbonate transparent doors
- Integral seals
- High mechanical strength
- Dust and moisture proof
- Halogen free
- Up to IP65 protection

AK - IEC Protection

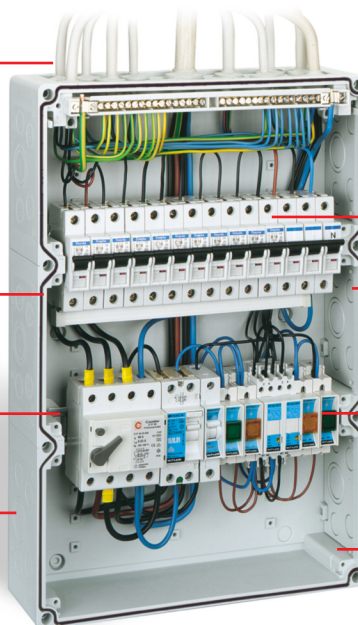


M20/Pg13.5 double membrane entry seals guarantee IP65 protection. These entries are also suited to accept threaded cord grips.

Removable sidewalls facilitate and allow enclosure combination with other AK or AKL models.

DIN Rail distance of 150 mm (5.91 in.) center to center gives room for comfortable and timely installations.

Smooth external sidewalls combine functionality with aesthetics.



Up to 14 components can be mounted to each DIN rail.

The enclosure material is impact and flame resistant Polystyrene.

Snap in 35 mm DIN rail.

The large number of pre-punched "holes" makes for easy cable installation.

AK03 – Polystyrene and Polycarbonate - 100 x 150 mm (3.94 x 5.91 in.)

Standard Features

- **Protection Level:** IP65
- **Technical:** Fits 3 Circuit Breaker Poles
Knockout Sidewalls and Installed Double Membrane Seals
Tinted Transparent Door
- **UL Recognized**
- **Enclosure Materials:** Polystyrene or Polycarbonate
- **Door Material:** Polycarbonate
- **Gasket Material:** Polyurethane
- **Material**
- **Temperature Range:** Polystyrene
-40°C to 70°C (-40°F to 158°F)
Polycarbonate
-40°C to 120°C (-40°F to 248°F)
- **Color:** Light Gray
- **Included Accessories:** DIN Rail, 2x4 Pole Ground/Neutral Terminal Strip, Filler Strips, (3) M20 Double Membrane Seals



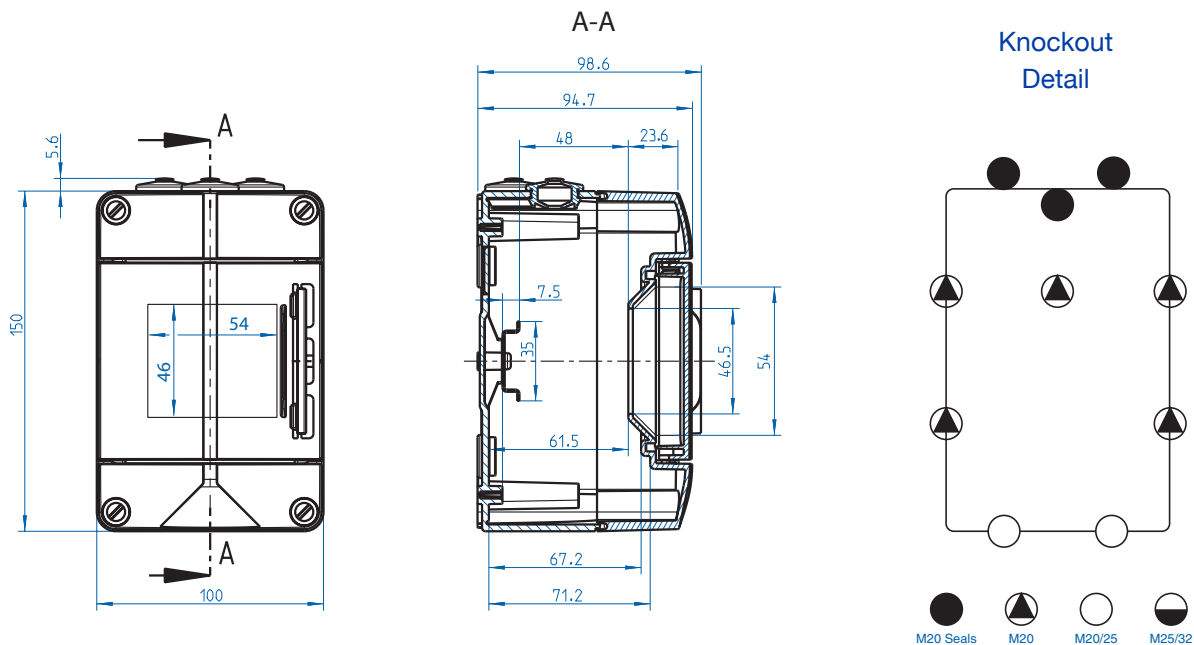
AK03

Ordering Information	Cat. No.	Type	Length	Dimensions mm (in) Width	Height	Std. Pk.
Polystyrene						
Enclosure	735-403	AK03	100 mm (3.94 in)	150 mm (5.91 in)	96 mm (3.78 in)	1
Polycarbonate						
Enclosure	736-403	AKi03	100 mm (3.94 in)	150 mm (5.91 in)	96 mm (3.78 in)	1

Accessories

Ordering Information	Cat. No.	Type	Std. Pk.
Key Lock	706-102	KL2	1
Terminal	790-204	PE/N Terminal - 2x4 pole (1x16 / 3x6 mm ²)	1
Filler Strip	799-012	108 mm piece (6 divisions)	1

Please refer to pages 149-152 for additional accessories and detailed information.



Standard Features

- **Protection Level:** IP65
- **Technical:** Fits 5 Circuit Breaker Poles
Knockout Sidewalls and Installed Double Membrane Seals
Tinted Transparent Door
- **UL Recognized**
- **Enclosure Materials:** Polystyrene or Polycarbonate
- **Door Material:** Polycarbonate
- **Gasket Material:** Polyurethane
- **Material**
- **Temperature Range:** Polystyrene
-40°C to 70°C (-40°F to 158°F)
Polycarbonate
-40°C to 120°C (-40°F to 248°F)
- **Color:** Light Gray
- **Included Accessories:** DIN Rail, 2x5 Pole Ground/Neutral Terminal Strip, Filler Strips, (4) M20 Double Membrane Seals



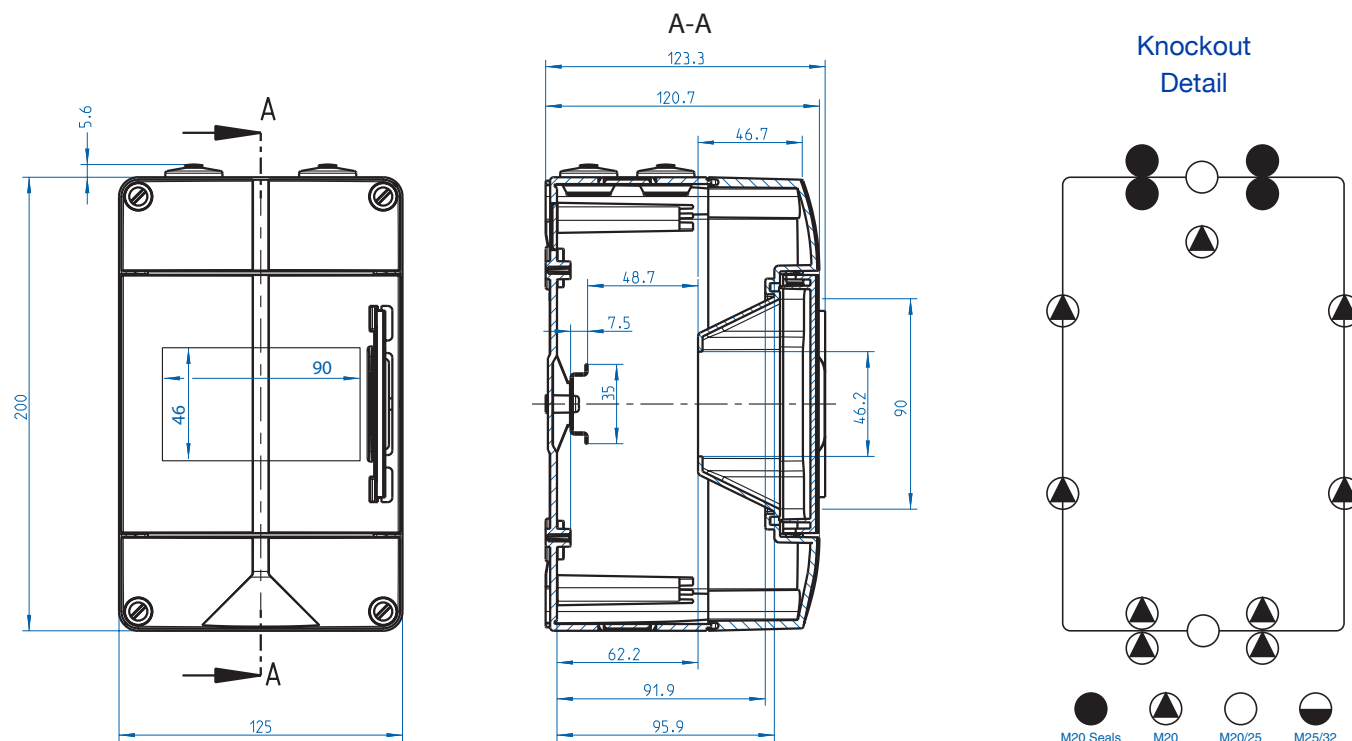
AK05

Ordering Information	Cat. No.	Type	Length	Dimensions mm (in) Width	Height	Std. Pk.
Polystyrene						
Enclosure	735-405	AK05	125 mm (4.92 in)	200 mm (7.87 in)	122 mm (4.80 in)	1
Polycarbonate						
Enclosure	736-405	AKI05	125 mm (4.92 in)	200 mm (7.87 in)	122 mm (4.80 in)	1

Accessories

Ordering Information	Cat. No.	Type	Std. Pk.
Key Lock	706-102	KL2	1
Terminal	790-205	PE/N Terminal - 2x5 pole (2x16 / 3x6 mm ²)	1
Filler Strip	799-012	108 mm piece (6 divisions)	1

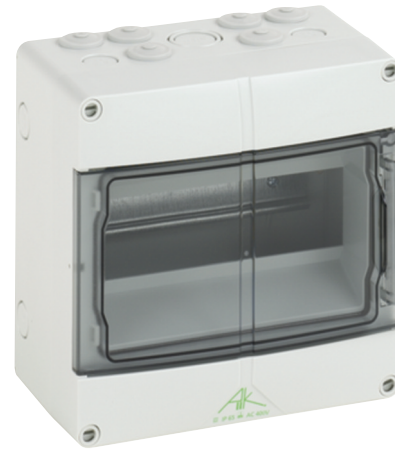
Please refer to pages 149-152 for additional accessories and detailed information.



AK09 – Polystyrene and Polycarbonate - 200 x 200 mm (7.87 x 7.87 in.)

Standard Features

- **Protection Level:** IP65
- **Technical:** Fits 9 Circuit Breaker Poles
Knockout Sidewalls and Installed Double Membrane Seals
Tinted Transparent Door
- **UL Recognized**
- **Enclosure Materials:** Polystyrene or Polycarbonate
- **Door Material:** Polycarbonate
- **Gasket Material:** Polyurethane
- **Material**
- **Temperature Range:** Polystyrene
-40°C to 70°C (-40°F to 158°F)
Polycarbonate
-40°C to 120°C (-40°F to 248°F)
- **Color:** Light Gray
- **Included Accessories:** DIN Rail, 2x7 Pole Ground/Neutral Terminal Strip, Filler Strips, (6) M20 Double Membrane Seals



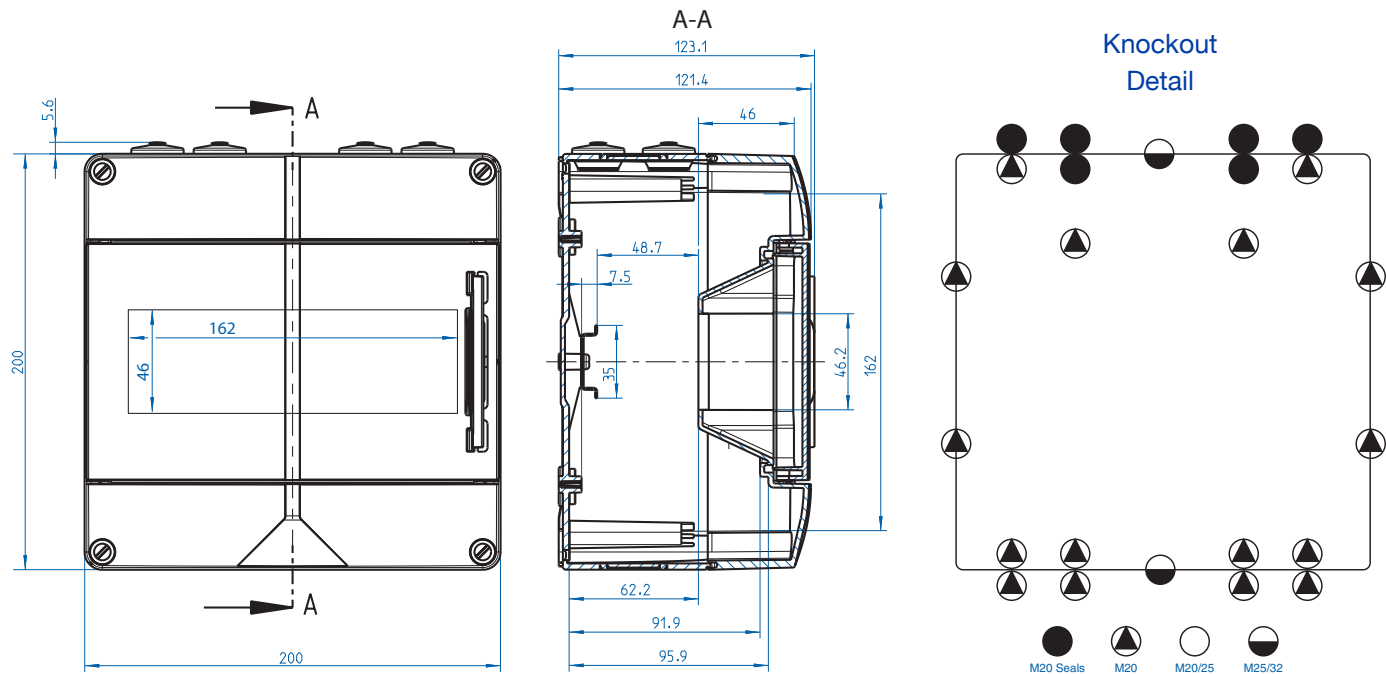
AK09

Ordering Information	Cat. No.	Type	Length	Dimensions mm (in) Width	Height	Std. Pk.
Polystyrene						
Enclosure	735-409	AK09	200 mm (7.87 in)	200 mm (7.87 in)	122 mm (4.80 in)	1
Polycarbonate						
Enclosure	736-409	AKi09	200 mm (7.87 in)	200 mm (7.87 in)	122 mm (4.80 in)	1

Accessories

Ordering Information	Cat. No.	Type	Std. Pk.
Key Lock	706-102	KL2	1
Terminal	790-207	PE/N Terminal - 2x7 pole (2x16 / 5x6 mm ²)	1
Filler Strip	799-012	108 mm piece (6 divisions)	1

Please refer to pages 149-152 for additional accessories and detailed information.



Standard Features

- **Protection Level:** IP65
- **Technical:** Fits 12 Circuit Breaker Poles
Knockout Sidewalls and Installed Double Membrane Seals
Tinted Transparent Door
- **UL Recognized**
- **Enclosure Materials:** Polystyrene or Polycarbonate
- **Door Material:** Polycarbonate
- **Gasket Material:** Polyurethane
- **Material**
- **Temperature Range:** Polystyrene
-40°C to 70°C (-40°F to 158°F)
Polycarbonate
-40°C to 120°C (-40°F to 248°F)
- **Color:** Light Gray
- **Included Accessories:** DIN Rail, 2x12 Pole Ground/Neutral Terminal Strip, Filler Strips, (8) M20 Double Membrane Seals



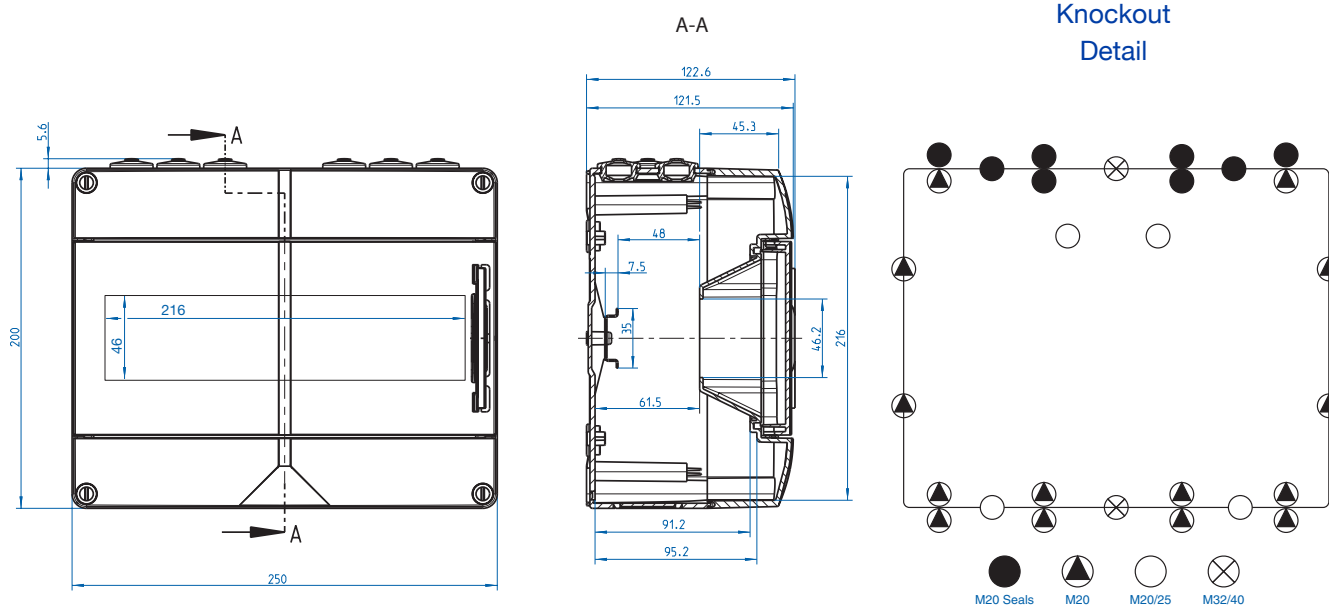
AK12

Ordering Information	Cat. No.	Type	Length	Dimensions mm (in) Width	Height	Std. Pk.
Polystyrene						
Enclosure	735-412	AK12	250 mm (9.84 in)	200 mm (7.87 in)	122 mm (4.80 in)	1
Polycarbonate						
Enclosure	736-412	AKi12	250 mm (9.84 in)	200 mm (7.87 in)	122 mm (4.80 in)	1

Accessories

Ordering Information	Cat. No.	Type	Std. Pk.
Key Lock	706-102	KL2	1
Terminal	790-211	PE/N Terminal - 2x12 pole (2x16 / 10x6 mm ²)	1
Filler Strip	799-012	108 mm piece (6 divisions)	1

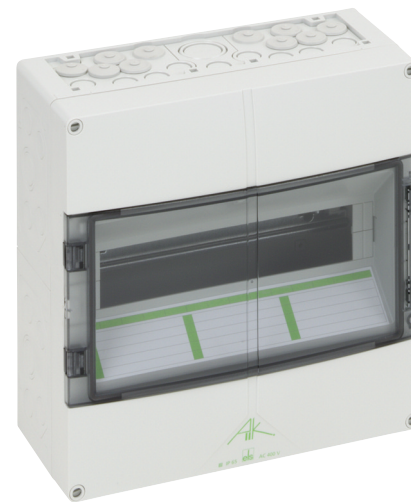
Please refer to pages 149-152 for additional accessories and detailed information.



AK 14 – Polystyrene and Polycarbonate – 300 x 300 mm (11.81 x 11.81 in.)

Standard Features

- **Protection Level:** IP65
- **Technical:** Fits 14 Circuit Breaker Poles
Knockout Sidewalls and installed double membrane seals
Tinted Transparent Door
Multiple Enclosure Combination Option
- **UL Recognized**
- **Enclosure Material:** Polycarbonate
- **Door Material:** Polycarbonate
- **Gasket Material:** Polyurethane
- **Material**
- **Temperature Range:** Polycarbonate
-40°C to 120°C (-40°F to 248°F)
- **Color:** Light Gray
- **Included Accessories:** DIN Rail, 17 Pole Ground/Neutral Terminal Strip, Cable Shield, Filler Strips, Label Strip,
(5) M20 Double Membrane Seals, (2) M25 Double Membrane Seals,
(1) M32 Double Membrane Seals, (1) M40 Entry Spout
- **Accessories:** See section below



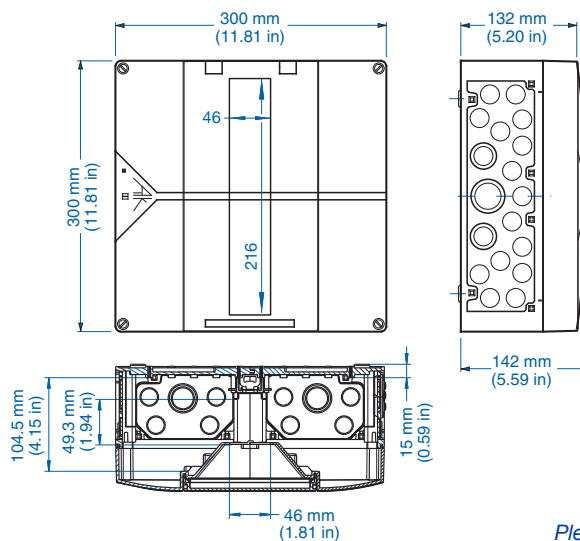
AK 14

Ordering Information	Cat. No.	Type	Length	Dimensions mm (in) Width	Height	Std. Pk.
Polycarbonate						
Enclosure	736-414	AKi14	300 mm (11.81 in)	300 mm (11.81 in)	142 mm (5.59 in)	1

Accessories

Ordering Information	Cat. No.	Type	Std. Pk.
Key Lock	706-102	KL2	1
Mounting Plate – 240 x 112 mm	795-001	MPI 1	1
Mounting Plate – 240 x 240 mm	795-002	MPI 2	1
DIN Rail - 216 mm Surface Mounted	795-030	NS35-216/3	1
Hinge Kit Set	190-005	HK2	1
Mounting Tab Kit (metal)	793-004	MT2	1
Filler Strip	799-012	108 mm piece (6 divisions)	1

Please refer to pages 149-152 for additional accessories and detailed information.



Please refer to page 158 for Knockout details.

Standard Features

- **Protection Level:** IP65
- **Technical:** Fits 14 Circuit Breaker Poles
Knockout Sidewalls and installed double membrane seals
Tinted Transparent Door
Multiple Enclosure Combination Option
- **UL Recognized**
- **Enclosure Material:** Polycarbonate
- **Door Material:** Polycarbonate
- **Gasket Material:** Polyurethane
- **Material**
- **Temperature Range:** Polycarbonate
-40°C to 120°C (-40°F to 248°F)
- **Color:** Light Gray
- **Included Accessories:** (2) DIN Rails, Cable Shield, Filler Strips, (1) Label Strip,
(15) M20 Double Membrane Seals, (2) M25 Double Membrane Seals,
(1) M32 Double Membrane Seals, (1) M40 Entry Spout
- **Accessories:** See section below



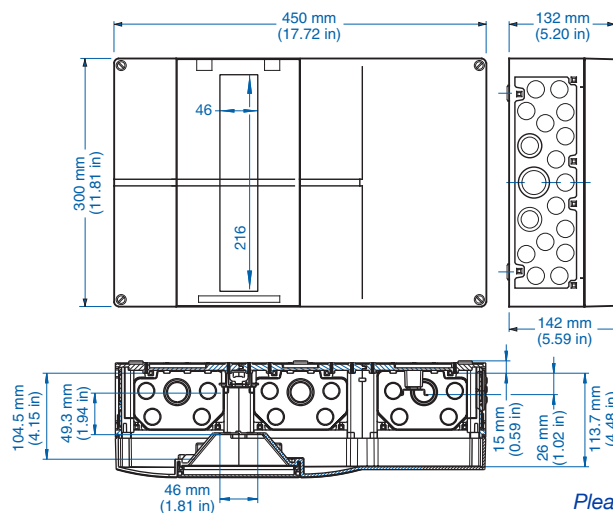
AK 14+1

Ordering Information	Cat. No.	Type	Length	Dimensions mm (in) Width	Height	Std. Pk.
Polycarbonate						
Enclosure	738-414	AKi14+1	450 mm (17.72 in)	300 mm (11.81 in)	142 mm (5.59 in)	1

Accessories

Ordering Information	Cat. No.	Type	Std. Pk.
Key Lock	706-102	KL2	1
Mounting Plate – 240 x 112 mm	795-001	MPI 1	1
Mounting Plate – 240 x 240 mm	795-002	MPI 2	1
Mounting Plate – 240 x 390 mm	795-003	MPI 3	1
DIN Rail - 216 mm Surface Mounted	795-030	NS35-216/3	1
Hinge Kit Set	190-005	HK2	1
Mounting Tab Kit (metal)	793-004	MT2	1
Filler Strip	799-012	108 mm piece (6 divisions)	1
2x17 Pole Ground/Neutral Terminal Strip (3 screw clamps 2.5-16mm ² , 14 spring clamps 1.5-4mm ² each)	790-317	AK14PE/N-SL	1

Please refer to pages 149-152 for additional accessories and detailed information.



Please refer to page 158 for Knockout details.

AK 28 – Polystyrene and Polycarbonate – 450 x 300 mm (17.72 x 11.81 in.)

Standard Features

- **Protection Level:** IP65
- **Technical:** Fits 28 Circuit Breaker Poles (14 per section)
Knockout Sidewalls and installed double membrane seals
Tinted Transparent Door
Multiple Enclosure Combination Option
- **UL Recognized**
- **Enclosure Material:** Polycarbonate
- **Door Material:** Polycarbonate
- **Gasket Material:** Polyurethane
- **Material**
- **Temperature Range:** Polycarbonate
-40°C to 120°C (-40°F to 248°F)
- **Color:** Light Gray
- **Included Accessories:** (2) DIN Rails, 2x27 Pole Ground/Neutral Terminal, Strip, Cable Shield, Filler Strips, (2) Label Strips, Accessory Case, (5) M20 Double Membrane Seals, (2) M25 Double Membrane Seals, (1) M32 Double Membrane Seals, (1) M40 Entry Spout
- **Accessories:** See section below



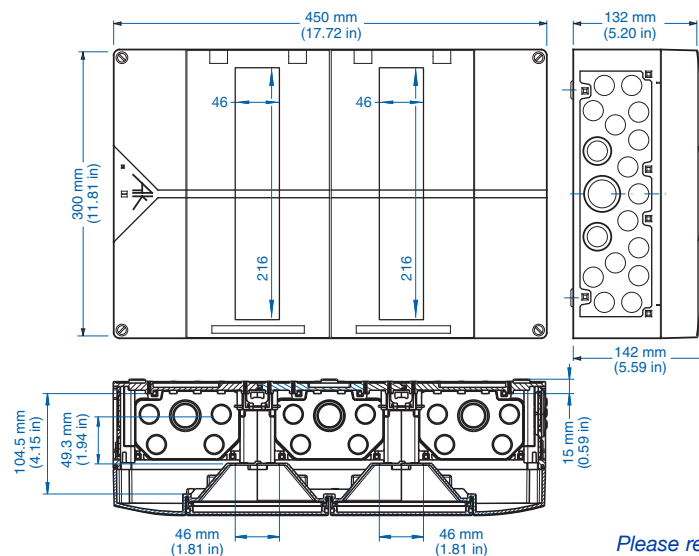
AK 28

Ordering Information	Cat. No.	Type	Length	Dimensions mm (in) Width	Height	Std. Pk.
Polycarbonate						
Enclosure	736-428	AKi28	450 mm (17.72 in)	300 mm (11.81 in)	142 mm (5.59 in)	1

Accessories

Ordering Information	Cat. No.	Type	Std. Pk.
Key Lock	706-102	KL2	1
Mounting Plate – 240 x 112 mm	795-001	MPI 1	1
Mounting Plate – 240 x 240 mm	795-002	MPI 2	1
Mounting Plate – 240 x 390 mm	795-003	MPI 3	1
DIN Rail - 216 mm Surface Mounted	795-030	NS35-216/3	1
Hinge Kit Set	190-005	HK2	1
Mounting Tab Kit (metal)	793-004	MT2	1
Filler Strip	799-012	108 mm piece (6 divisions)	1

Please refer to pages 149-152 for additional accessories and detailed information.



Please refer to page 158 for Knockout details.

Standard Features

- **Protection Level:** IP65
- **Technical:** Fits 28 Circuit Breaker Poles (14 per section)
Knockout Sidewalls and installed double membrane seals
Tinted Transparent Door
Multiple Enclosure Combination Option
- **UL Recognized**
- **Enclosure Material:** Polycarbonate
- **Door Material:** Polycarbonate
- **Gasket Material:** Polyurethane
- **Material**
- **Temperature Range:** Polycarbonate
-40°C to 120°C (-40°F to 248°F)
- **Color:** Light Gray
- **Included Accessories:** (3) DIN Rails, Cable Shield, Filler Strips, (2) Label Strips, (15) M20 Double Membrane Seals, (2) M25 Double Membrane Seals, (1) M32 Double Membrane Seals, (1) M40 Entry Spout
See section below
- **Accessories:**



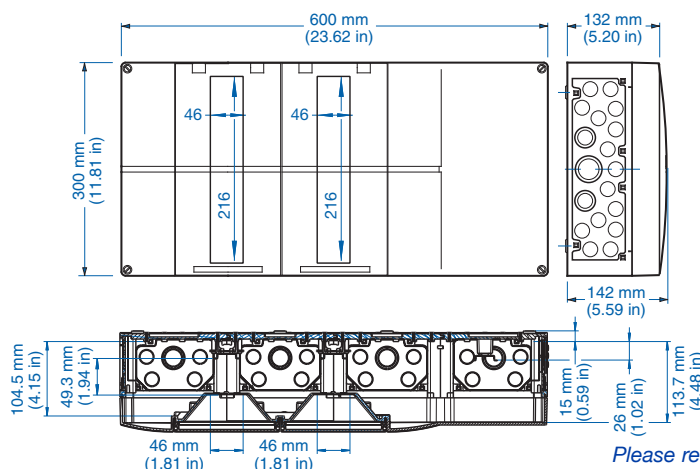
AK 28+1

Ordering Information	Cat. No.	Type	Length	Dimensions mm (in) Width	Height	Std. Pk.
Polycarbonate						
Enclosure	738-428	AKi28+1	600 mm (23.62 in)	300 mm (11.81 in)	142 mm (5.59 in)	1

Accessories

Ordering Information	Cat. No.	Type	Std. Pk.
Key Lock	706-102	KL2	1
Mounting Plate – 240 x 112 mm	795-001	MPI 1	1
Mounting Plate – 240 x 240 mm	795-002	MPI 2	1
Mounting Plate – 240 x 390 mm	795-003	MPI 3	1
Mounting Plate – 240 x 540 mm	795-004	MPI 4	1
DIN Rail - 216 mm Surface Mounted	795-030	NS35-216/3	1
Hinge Kit Set	190-005	HK2	1
Mounting Tab Kit (metal)	793-004	MT2	1
Filler Strip	799-012	108 mm piece (6 divisions)	1
2x27 Pole Ground/Neutral Terminal Strip	790-327	AK28PE/N-SL	1
(6 screw clamps 2.5-16mm ² , 21 spring clamps 1.5-4mm ² each)			

Please refer to pages 149-152 for additional accessories and detailed information.



Please refer to page 158 for Knockout details.

AK 42 – Polystyrene and Polycarbonate – 600 x 300 mm (23.62 x 11.81 in.)

Standard Features

- **Protection Level:** IP65
- **Technical:** Fits 42 Circuit Breaker Poles (14 per section)
Knockout Sidewalls and installed double membrane seals
Tinted Transparent Door
Multiple Enclosure Combination Option
- **UL Recognized**
- **Enclosure Material:** Polycarbonate
- **Door Material:** Polycarbonate
- **Gasket Material:** Polyurethane
- **Material**
- **Temperature Range:** Polycarbonate
-40°C to 120°C (-40°F to 248°F)
- **Color:** Light Gray
- **Included Accessories:** (3) DIN Rails, 2x27 Pole Ground/Neutral Terminal, Strip, Cable Shield, Filler Strips, (3) Label Strips, Accessory Case, (15) M20 Double Membrane Seals, (2) M25 Double Membrane Seals, (1) M32 Double Membrane Seals, (1) M40 Entry Spout, See section below
- **Accessories:** See section below



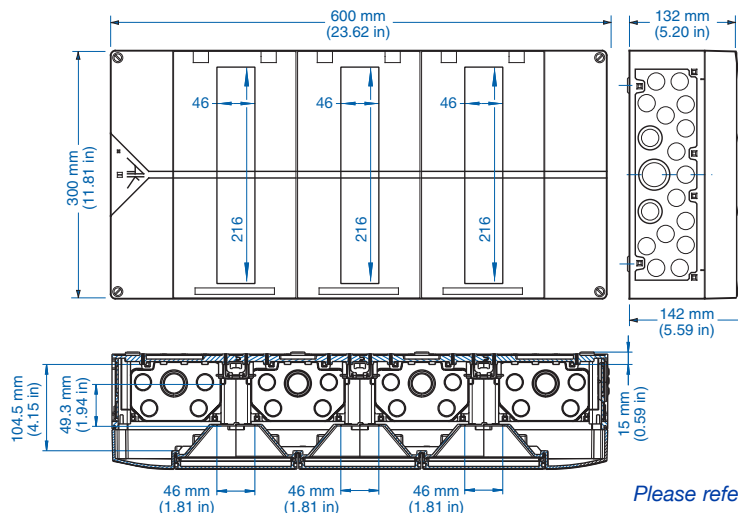
AK 42

Ordering Information	Cat. No.	Type	Length	Dimensions mm (in) Width	Height	Std. Pk.
Polycarbonate						
Enclosure	736-442	AKi42	600 mm (23.62 in)	300 mm (11.81 in)	142 mm (5.59 in)	1

Accessories

Ordering Information	Cat. No.	Type	Std. Pk.
Key Lock	706-102	KL2	1
Mounting Plate – 240 x 112 mm	795-001	MPI 1	1
Mounting Plate – 240 x 240 mm	795-002	MPI 2	1
Mounting Plate – 240 x 390 mm	795-003	MPI 3	1
Mounting Plate – 240 x 540 mm	795-004	MPI 4	1
DIN Rail - 216 mm Surface Mounted	795-030	NS35-216/3	1
Hinge Kit Set	190-005	HK2	1
Mounting Tab Kit (metal)	793-004	MT2	1
Filler Strip	799-012	108 mm piece (6 divisions)	1

Please refer to pages 149-152 for additional accessories and detailed information.



Please refer to page 158 for Knockout details.

Standard Features

- **Protection Level:** IP65
- **Technical:** Fits 42 Circuit Breaker Poles (14 per section)
Knockout Sidewalls and installed double membrane seals
Tinted Transparent Door
Multiple Enclosure Combination Option
- **UL Recognized**
- **Enclosure Material:** Polycarbonate
- **Door Material:** Polycarbonate
- **Gasket Material:** Polyurethane
- **Material**
- **Temperature Range:** Polystyrene
-40°C to 70°C (-40°F to 158°F)
Polycarbonate
-40°C to 120°C (-40°F to 248°F)
- **Color:** Light Gray
- **Included Accessories:** (4) DIN Rails, Cable Shield, Filler Strips, (3) Label Strips,
(15) M20 Double Membrane Seals, (2) M25 Double Membrane Seals,
(1) M32 Double Membrane Seals, (1) M40 Entry Spout,
See section below
- **Accessories:** See section below



AK 42+1

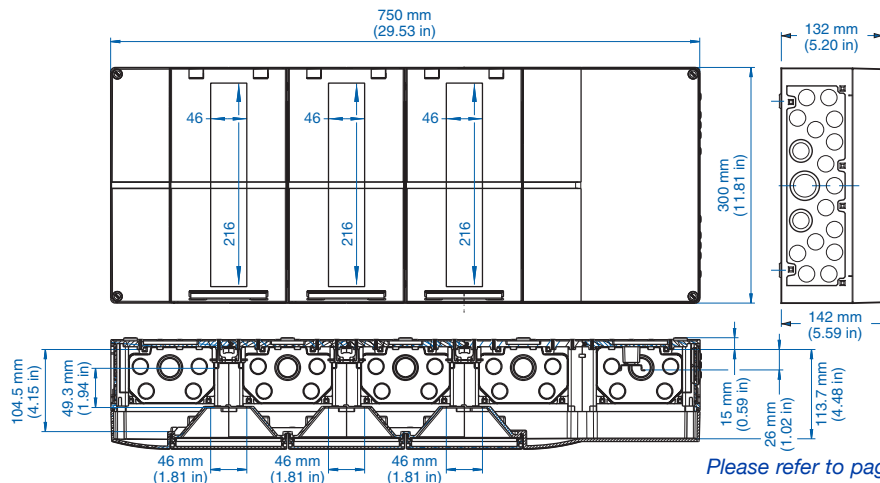
Ordering Information	Cat. No.	Type	Length	Dimensions mm (in)	Width	Height	Std. Pk.
Polycarbonate							
Enclosure	738-442	AKi42+1	750 mm (29.53 in)	300 mm (11.81 in)	142 mm (5.59 in)		1

Accessories

Ordering Information	Cat. No.	Type	Std. Pk.
Key Lock	706-102	KL2	1
Mounting Plate – 240 x 112 mm	795-001	MPI 1	1
Mounting Plate – 240 x 240 mm	795-002	MPI 2	1
Mounting Plate – 240 x 390 mm	795-003	MPI 3	1
Mounting Plate – 240 x 540 mm	795-004	MPI 4	1
DIN Rail - 216 mm Surface Mounted	795-030	NS35-216/3	1
Hinge Kit Set	190-005	HK2	1
Mounting Tab Kit (metal)	793-004	MT2	1
Filler Strip	799-012	108 mm piece (6 divisions)	1
2x27 Pole Ground/Neutral Terminal Strip	790-327	AK28PE/N-SL	1

(6 screw clamps 2.5-16mm², 21 spring clamps 1.5-4mm² each)

Please refer to pages 149-152 for additional accessories and detailed information.



Please refer to page 158 for Knockout details.

AK 56 – Polystyrene and Polycarbonate – 750 x 300 mm (29.53 x 11.81 in.)

Standard Features

- **Protection Level:** IP65
- **Technical:** Fits 56 Circuit Breaker Poles (14 per section)
Knockout Sidewalls and installed double membrane seals
Tinted Transparent Door
Multiple Enclosure Combination Option
- **UL Recognized**
- **Enclosure Material:** Polycarbonate
- **Door Material:** Polycarbonate
- **Gasket Material:** Polyurethane
- **Material**
- **Temperature Range:** Polycarbonate
-40°C to 120°C (-40°F to 248°F)
- **Color:** Light Gray
- **Included Accessories:** (4) DIN Rails, 2x27 Pole Ground/Neutral Terminal Strip, Cable Shield, Filler Strips, (4) Label Strips, Accessory Case, (15) M20 Double Membrane Seals, (2) M25 Double Membrane Seals, (1) M32 Double Membrane Seals, (1) M40 Entry Spout
See section below
- **Accessories:** See section below



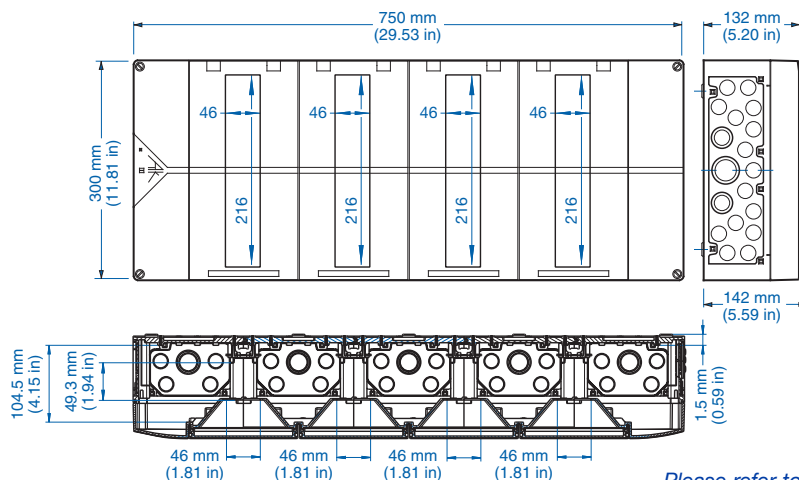
AK 56

Ordering Information	Cat. No.	Type	Length	Dimensions mm (in) Width	Height	Std. Pk.
Polycarbonate						
Enclosure	736-456	AKi56	750 mm (29.53 in)	300 mm (11.81 in)	142 mm (5.59 in)	1

Accessories

Ordering Information	Cat. No.	Type	Std. Pk.
Key Lock	706-102	KL2	1
Mounting Plate – 240 x 112 mm	795-001	MPI 1	1
Mounting Plate – 240 x 240 mm	795-002	MPI 2	1
Mounting Plate – 240 x 390 mm	795-003	MPI 3	1
Mounting Plate – 240 x 540 mm	795-004	MPI 4	1
DIN Rail - 216 mm Surface Mounted	795-030	NS35-216/3	1
Hinge Kit Set	190-005	HK2	1
Mounting Tab Kit (metal)	793-004	MT2	1
Filler Strip	799-012	108 mm piece (6 divisions)	1

Please refer to pages 149-152 for additional accessories and detailed information.



Please refer to page 158 for Knockout details.

Standard Features

- **Protection Level:** IP65
- **Technical:** Fits 56 Circuit Breaker Poles (14 per section)
Knockout Sidewalls and installed double membrane seals
Tinted Transparent Door
Multiple Enclosure Combination Option
- **UL Recognized**
- **Enclosure Material:** Polycarbonate
- **Door Material:** Polycarbonate
- **Gasket Material:** Polyurethane
- **Material**
- **Temperature Range:** Polystyrene
-40°C to 70°C (-40°F to 158°F)
Polycarbonate
-40°C to 120°C (-40°F to 248°F)
- **Color:** Light Gray
- **Included Accessories:** (5) DIN Rails, Cable Shield, Filler Strips, (4) Label Strips, (15) M20 Double Membrane Seals, (2) M25 Double Membrane Seals, (1) M32 Double Membrane Seals, (1) M40 Entry Spout
See section below
- **Accessories:** See section below



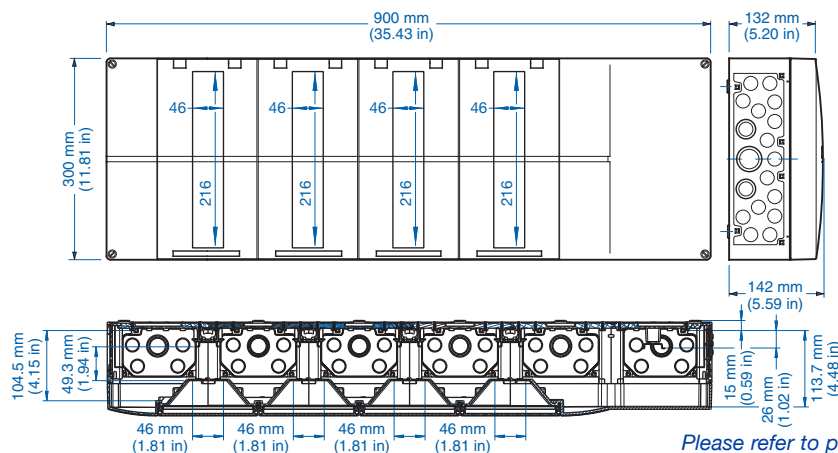
AK 56+1

Ordering Information	Cat. No.	Type	Length	Dimensions mm (in) Width	Height	Std. Pk.
Polycarbonate						
Enclosure	738-456	AKI56+1	900 mm (35.43 in)	300 mm (11.81 in)	142 mm (5.59 in)	1

Accessories

Ordering Information	Cat. No.	Type	Std. Pk.
Key Lock	706-102	KL2	1
Mounting Plate – 240 x 112 mm	795-001	MPI 1	1
Mounting Plate – 240 x 240 mm	795-002	MPI 2	1
Mounting Plate – 240 x 390 mm	795-003	MPI 3	1
Mounting Plate – 240 x 540 mm	795-004	MPI 4	1
DIN Rail - 216 mm Surface Mounted	795-030	NS35-216/3	1
Hinge Kit Set	190-005	HK2	1
Mounting Tab Kit (metal)	793-004	MT2	1
Filler Strip	799-012	108 mm piece (6 divisions)	1
2x27 Pole Ground/Neutral Terminal Strip (6 screw clamps 2.5-16mm ² , 21 spring clamps 1.5-4mm ² each)	790-327	AK28PE/N-SL	1

Please refer to pages 149-152 for additional accessories and detailed information.



Please refer to page 158 for Knockout details.

AK 70 – Polystyrene and Polycarbonate – 900 x 300 mm (35.43 x 11.81 in.)

Standard Features

- **Protection Level:** IP65
- **Technical:** Fits 70 Circuit Breaker Poles (14 per section)
Knockout Sidewalls and installed double membrane seals
Tinted Transparent Door
Multiple Enclosure Combination Option
- **UL Recognized**
- **Enclosure Material:** Polycarbonate
- **Door Material:** Polycarbonate
- **Gasket Material:** Polyurethane
- **Material**
- **Temperature Range:** Polycarbonate
-40°C to 120°C (-40°F to 248°F)
- **Color:** Light Gray
- **Included Accessories:** (5) DIN Rails, 2x27 Pole Ground/Neutral Terminal Strip, Cable Shield, Filler Strips, (5) Label Strips, Accessory Case
(15) M20 Double Membrane Seals, (2) M25 Double Membrane Seals,
(1) M32 Double Membrane Seals, (1) M40 Entry Spout
- **Accessories:** See section below



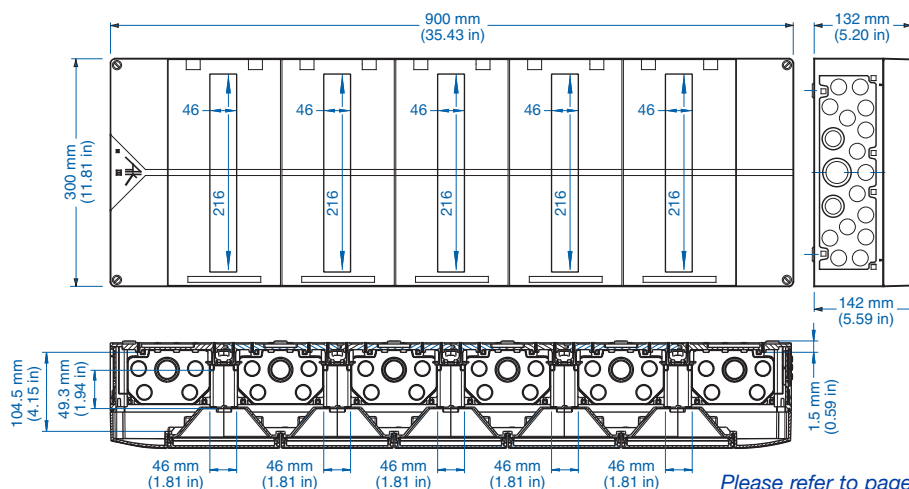
AK 70

Ordering Information	Cat. No.	Type	Length	Dimensions mm (in) Width	Height	Std. Pk.
Polycarbonate						
Enclosure	736-470	AKI70	900 mm (35.43 in)	300 mm (11.81 in)	142 mm (5.59 in)	1

Accessories

Ordering Information	Cat. No.	Type	Std. Pk.
Key Lock	706-102	KL2	1
Mounting Plate – 240 x 112 mm	795-001	MPI 1	1
Mounting Plate – 240 x 240 mm	795-002	MPI 2	1
Mounting Plate – 240 x 390 mm	795-003	MPI 3	1
Mounting Plate – 240 x 540 mm	795-004	MPI 4	1
DIN Rail - 216 mm Surface Mounted	795-030	NS35-216/3	1
Hinge Kit Set	190-005	HK2	1
Mounting Tab Kit (metal)	793-004	MT2	1
Filler Strip	799-012	108 mm piece (6 divisions)	1

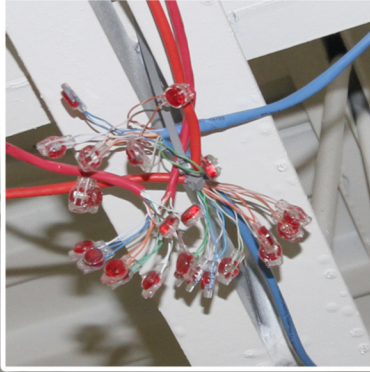
Please refer to pages 149-152 for additional accessories and detailed information.



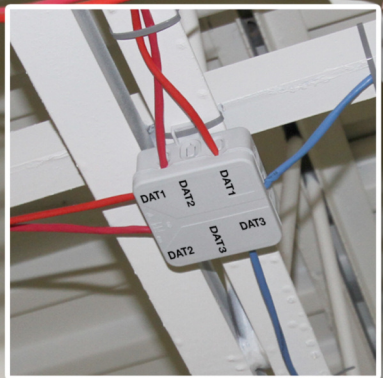
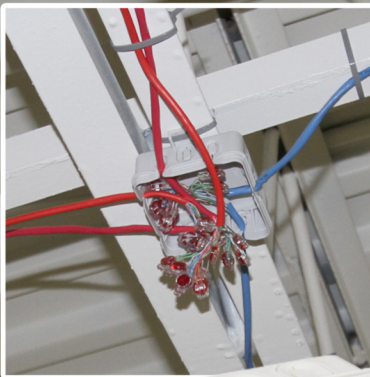
Please refer to page 158 for Knockout details.

The Q Series Low Voltage Wire Management Solution

Your competition left this mess.



Q 12-SB-L



You cleaned it up without having to cut and resplice.



Q 12-L



Q 4-L

Using the Q Series data & signal wiring enclosure is fast and easy. Even if the splicing mess already exists. Simply mount the polypropylene enclosure using its convenient mounting ears with a screw or zip strap. Then press the wires into the Q Series unique retaining slots and snap on the cover and your done.

Available sizes:

Q 12-L – Polypropylene – 85 x 85 x 37 mm (3.35 x 3.35 x 1.46 in.)

Q 12 SB-L – Polypropylene – 85 x 85 x 37 mm (3.35 x 3.35 x 1.46 in.)

Q 4-L – Polypropylene – 56 x 40 x 23 mm (2.20 x 1.57 x 0.91 in.)

X-ON Electronics

Largest Supplier of Electrical and Electronic Components

Click to view similar products for [Enclosures for Industrial Automation](#) category:

Click to view products by [Altech](#) manufacturer:

Other Similar products are found below :

[116-508](#) [130-008](#) [190-005](#) [2202307](#) [2901699](#) [2790318](#) [WM011RI,BK](#) [WM052I,GY](#) [WM093RI,BK](#) [5030266](#) [WM053R,BK](#) [WM032I,BK](#)
[2909989](#) [120-908](#) [150-007](#) [790-207](#) [2200095](#) [111-012](#) [127-408](#) [802-407](#) [115-401](#) [795-001](#) [790-211](#) [733-820](#) [BW67DBKCSYL](#)
[CX68DBKANG](#) [CXL68DBKAYL](#) [CXL65DBKANG](#) [BW68DBKCSBL](#) [DPH-28714-C](#) [135-007](#) [721-032](#) [1103440](#) [1037322](#) [1167159](#)
[1158978](#) [1158981](#) [1158982](#) [2202667](#) [1017444](#) [BWA-AH664](#) [100-403-91](#) [100-405-01](#) [101-003-91](#) [101-004-91](#) [101-506-01](#) [WM012I,GY](#)
[WM013I,AL](#) [WM052RI,GY](#) [WM093RI,GY](#)