



# AK Series

The AK Series are small to large enclosures designed to house and protect standard IEC components, such as DIN rail mount circuit breakers, switches, meters and other control devices. Larger than the EK Series, they offer increased capacity for mounting components and provide additional space for more convenient wiring.

The unique cover design features a shrouded cut out and transparent hinged doors for quick access and visibility. The shrouded cut out, spanning the width of the cover, exposes mounted components for easy adjustment while isolating wiring for increased safety. Doors have push release latches with reversible hinge feature to open from the left or right side. Keylocks can be added to the doors for increased security. Each enclosure is supplied

with removable terminal strip assemblies for ground / neutral distribution and DIN rails. Equipped with pre-installed entry plugs, these enclosures provide IP65 protection. Use of appropriate sealing connector assemblies for wire, cable or conduit entry can maintain IP65 protection. Using the entry spouts provided, enclosures have IP54 protection.

- Direct mount
- Corrosion and maintenance free
- Small to large size
- Polystyrene or Polycarbonate base and cover
- Polycarbonate transparent doors
- Integral seals
- High mechanical strength
- Dust and moisture proof
- Halogen free
- Up to IP65 protection

# AK Series Enclosures

# AK

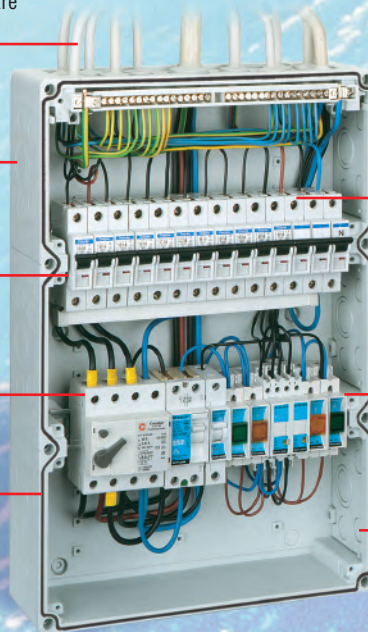


M20/Pg13.5 double membrane entry seals guarantee IP65 protection. These entries are also suited to accept threaded cord grips.

Removable sidewalls facilitate and allow enclosure combination with other AK or AKL models.

DIN Rail distance of 150 mm (5.91 in.) center to center gives room for comfortable and timely installations.

Smooth external sidewalls combine functionality with aesthetics.



Up to 14 components can be mounted to each DIN rail.

The enclosure material is impact and flame resistant Polystyrene or Polycarbonate.

Snap in 35 mm DIN rail.

The large number of pre-punched "holes" makes for easy cable installation.

# AK03 – Polystyrene and Polycarbonate - 100x150mm (3.94x5.91in.)

## Standard Features

- **Protection Level:** IP65
- **Technical:** Knockout Sidewalls and Installed Double Membrane Seals  
Tinted Transparent Door
- **Enclosure Material:** Polystyrene or Polycarbonate
- **Door Material:** Polycarbonate
- **Gasket Material:** Polyurethane
- **Temperature Range:** Polystyrene  
-40°C to 70°C (-40°F to 158°F)  
Polycarbonate  
-35°C to 120°C (-31°F to 248°F)
- **Color:** Light Gray
- **Included Accessories:** DIN Rail, 4 Pole Ground/Neutral Terminal Strip, Filler Strips, (3) M20 Double Membrane Seals



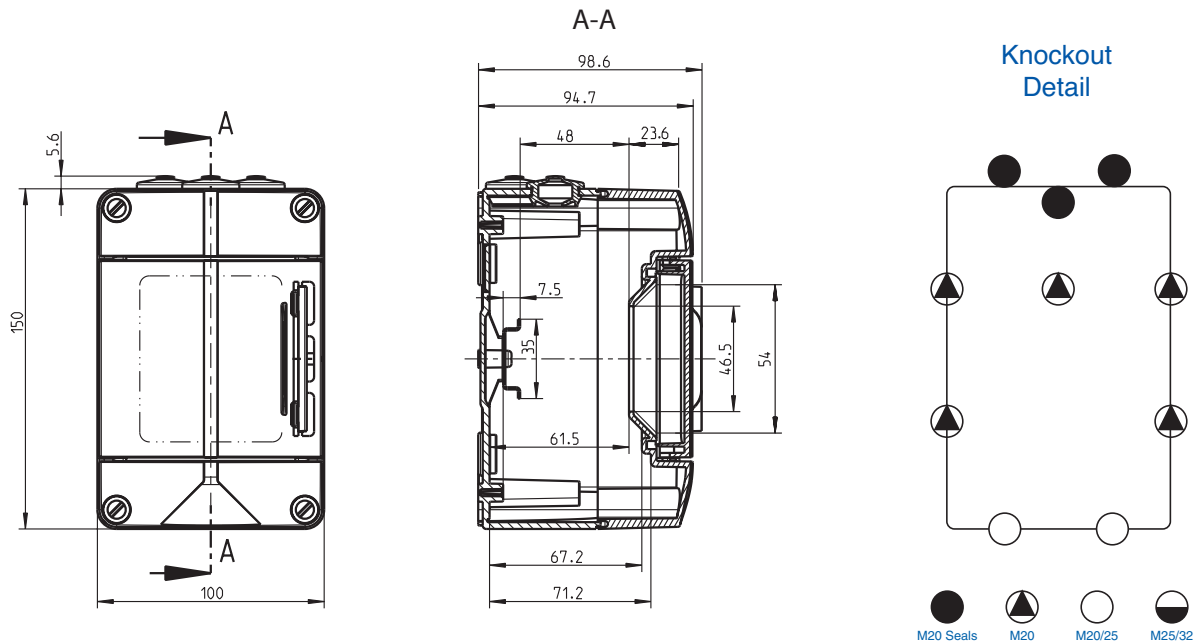
## AK03

| Ordering Information | Cat. No. | Type  | Length           | Dimensions mm (in)<br>Width | Height          | Std. Pk. |
|----------------------|----------|-------|------------------|-----------------------------|-----------------|----------|
| <b>Polystyrene</b>   |          |       |                  |                             |                 |          |
| Enclosure            | 735-403  | AK03  | 100 mm (3.94 in) | 150 mm (5.91 in)            | 96 mm (3.78 in) | 1        |
| <b>Polycarbonate</b> |          |       |                  |                             |                 |          |
| Enclosure            | 736-403  | AKI03 | 100 mm (3.94 in) | 150 mm (5.91 in)            | 96 mm (3.78 in) | 1        |

## Accessories

| Ordering Information | Cat. No. | Type                       | Std. Pk. |
|----------------------|----------|----------------------------|----------|
| Key Lock             | 706-102  | KL2                        | 1        |
| Terminal             | 790-204  | PE/N Terminal - 4 pole     | 1        |
| Filler Strip         | 799-012  | 108 mm piece (6 divisions) | 1        |

Please refer to pages 116-120 for additional accessories and detailed information.





## Standard Features

- **Protection Level:** IP65
- **Technical:** Knockout Sidewalls and Installed Double Membrane Seals  
Tinted Transparent Door
- **Enclosure Material:** Polystyrene or Polycarbonate
- **Door Material:** Polycarbonate
- **Gasket Material:** Polyurethane
- **Temperature Range:** Polystyrene  
-40°C to 70°C (-40°F to 158°F)  
Polycarbonate  
-35°C to 120°C (-31°F to 248°F)
- **Color:** Light Gray
- **Included Accessories:** DIN Rail, 5 Pole Ground/Neutral Terminal Strip, Filler Strips, (4) M20 Double Membrane Seals



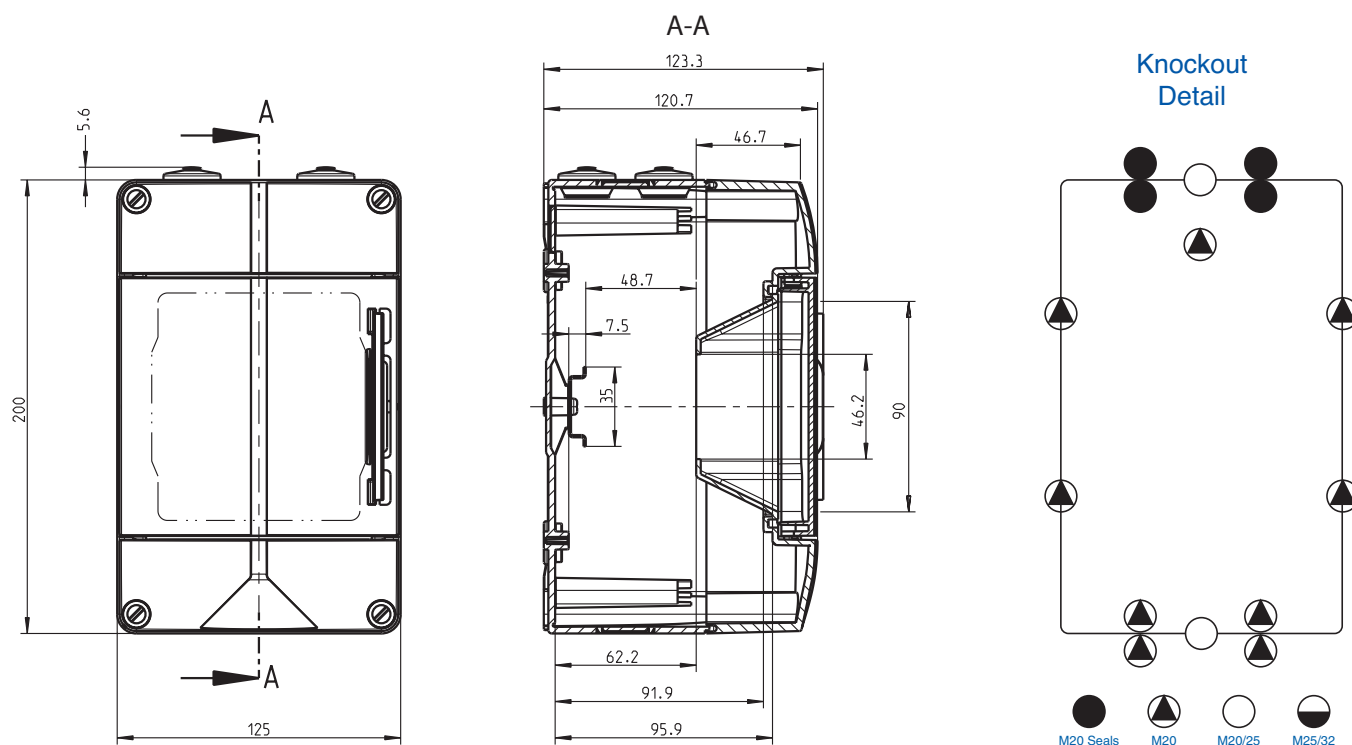
## AK05

| Ordering Information | Cat. No. | Type  | Length           | Dimensions mm (in)<br>Width | Height           | Std. Pk. |
|----------------------|----------|-------|------------------|-----------------------------|------------------|----------|
| <b>Polystyrene</b>   |          |       |                  |                             |                  |          |
| Enclosure            | 735-405  | AK05  | 125 mm (4.92 in) | 200 mm (7.87 in)            | 122 mm (4.80 in) | 1        |
| <b>Polycarbonate</b> |          |       |                  |                             |                  |          |
| Enclosure            | 736-405  | AKI05 | 125 mm (4.92 in) | 200 mm (7.87 in)            | 122 mm (4.80 in) | 1        |

## Accessories

| Ordering Information | Cat. No. | Type                       | Std. Pk. |
|----------------------|----------|----------------------------|----------|
| Key Lock             | 706-102  | KL2                        | 1        |
| Terminal             | 790-205  | PE/N Terminal - 5 pole     | 1        |
| Filler Strip         | 799-012  | 108 mm piece (6 divisions) | 1        |

Please refer to pages 116-120 for additional accessories and detailed information.



# AK09 – Polystyrene and Polycarbonate - 200x200mm (7.87x7.87in.)

## Standard Features

- **Protection Level:** IP65
- **Technical:** Knockout Sidewalls and Installed Double Membrane Seals  
Tinted Transparent Door
- **Enclosure Material:** Polystyrene or Polycarbonate
- **Door Material:** Polycarbonate
- **Gasket Material:** Polyurethane
- **Temperature Range:** Polystyrene  
-40°C to 70°C (-40°F to 158°F)  
Polycarbonate  
-35°C to 120°C (-31°F to 248°F)
- **Color:** Light Gray
- **Included Accessories:** DIN Rail, 7 Pole Ground/Neutral Terminal Strip, Filler Strips, (6) M20 Double Membrane Seals



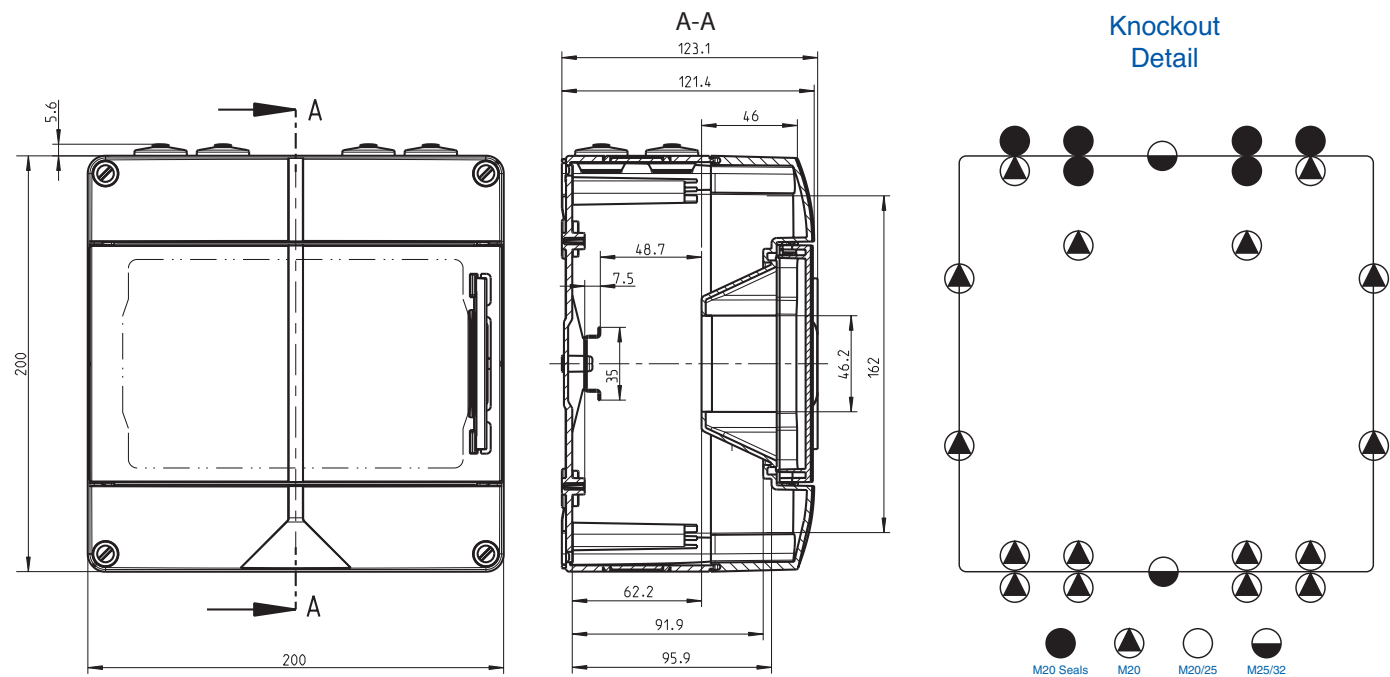
## AK09

| Ordering Information | Cat. No. | Type  | Length           | Dimensions mm (in)<br>Width | Height           | Std. Pk. |
|----------------------|----------|-------|------------------|-----------------------------|------------------|----------|
| <b>Polystyrene</b>   |          |       |                  |                             |                  |          |
| Enclosure            | 735-409  | AK09  | 200 mm (7.87 in) | 200 mm (7.87 in)            | 122 mm (4.80 in) | 1        |
| <b>Polycarbonate</b> |          |       |                  |                             |                  |          |
| Enclosure            | 736-409  | AKI09 | 200 mm (7.87 in) | 200 mm (7.87 in)            | 122 mm (4.80 in) | 1        |

## Accessories

| Ordering Information | Cat. No. | Type                       | Std. Pk. |
|----------------------|----------|----------------------------|----------|
| Key Lock             | 706-102  | KL2                        | 1        |
| Terminal             | 790-207  | PE/N Terminal - 7 pole     | 1        |
| Filler Strip         | 799-012  | 108 mm piece (6 divisions) | 1        |

Please refer to pages 116-120 for additional accessories and detailed information.



## Standard Features

- **Protection Level:** IP65
- **Technical:** Knockout Sidewalls and Installed Double Membrane Seals  
Tinted Transparent Door
- **Enclosure Material:** Polystyrene or Polycarbonate
- **Door Material:** Polycarbonate
- **Gasket Material:** Polyurethane
- **Temperature Range:** Polystyrene  
-40°C to 70°C (-40°F to 158°F)  
Polycarbonate  
-35°C to 120°C (-31°F to 248°F)
- **Color:** Light Gray
- **Included Accessories:** DIN Rail, 12 Pole Ground/Neutral Terminal Strip, Filler Strips, (8) M20 Double Membrane Seals



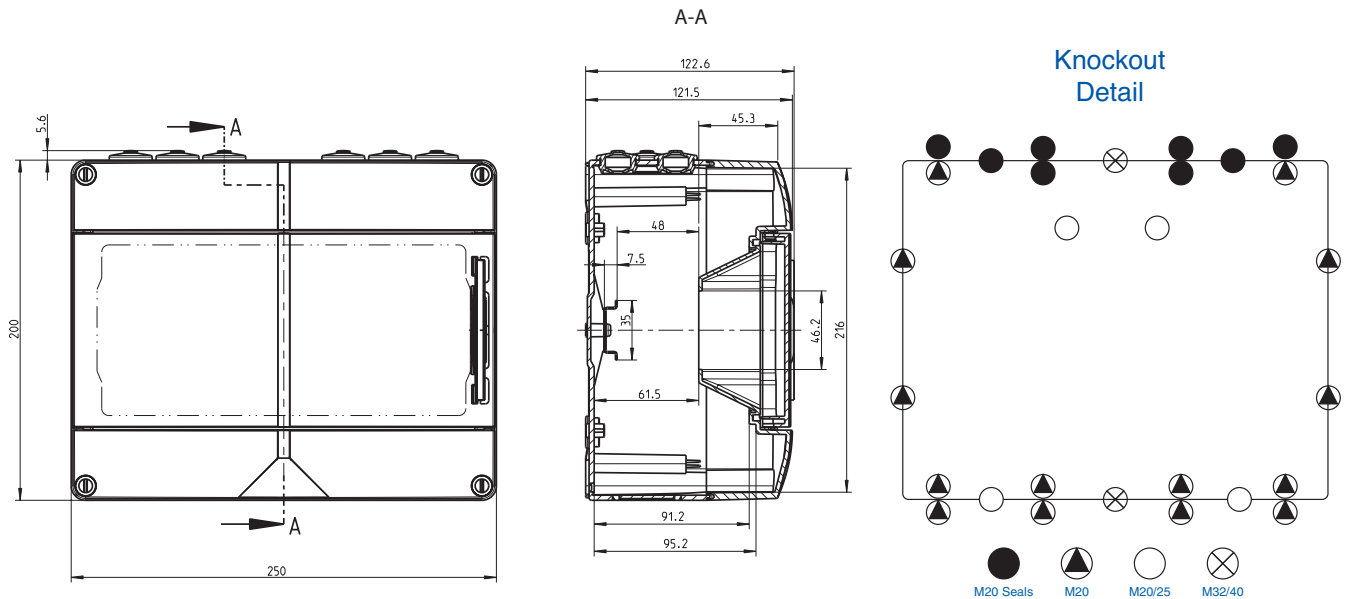
## AK12

| Ordering Information | Cat. No. | Type  | Length           | Dimensions mm (in)<br>Width | Height           | Std. Pk. |
|----------------------|----------|-------|------------------|-----------------------------|------------------|----------|
| <b>Polystyrene</b>   |          |       |                  |                             |                  |          |
| Enclosure            | 735-412  | AK12  | 250 mm (9.84 in) | 200 mm (7.87 in)            | 122 mm (4.80 in) | 1        |
| <b>Polycarbonate</b> |          |       |                  |                             |                  |          |
| Enclosure            | 736-412  | AKi12 | 250 mm (9.84 in) | 200 mm (7.87 in)            | 122 mm (4.80 in) | 1        |

## Accessories

| Ordering Information | Cat. No. | Type                       | Std. Pk. |
|----------------------|----------|----------------------------|----------|
| Key Lock             | 706-102  | KL2                        | 1        |
| Terminal             | 790-211  | PE/N Terminal - 12 pole    | 1        |
| Filler Strip         | 799-012  | 108 mm piece (6 divisions) | 1        |

Please refer to pages 116-120 for additional accessories and detailed information.



# AK 14 – Polystyrene and Polycarbonate – 300x300mm (11.81x11.81in.)

## Standard Features

- **Protection Level:** IP65
- **Technical:** Knockout Sidewalls and Installed Double Membrane Seals  
Tinted Transparent Door  
Multiple Enclosure Combination Option
- **Enclosure Material:** Polystyrene or Polycarbonate
- **Door Material:** Polycarbonate
- **Gasket Material:** Polyurethane
- **Temperature Range:** Polystyrene  
-40°C to 70°C (-40°F to 158°F)  
Polycarbonate  
-35°C to 120°C (-31°F to 248°F)
- **Color:** Light Gray
- **Included Accessories:** DIN Rail, 12 Pole Ground/Neutral Terminal Strip, Cable Shield, Filler Strips, Label Strip, (5) M20 Double Membrane Seals  
(2) M25 Double Membrane Seals  
(1) M32 Double Membrane Seals  
(1) M40 Entry Spout
- **Accessories:** See section below



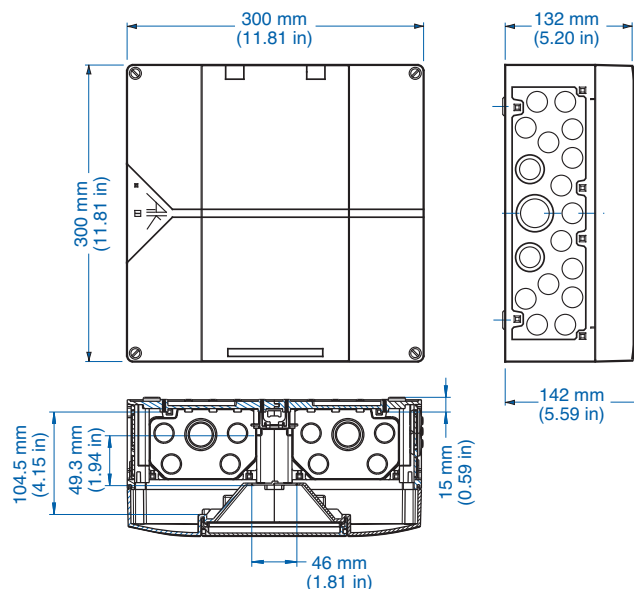
## AK 14

| Ordering Information | Cat. No. | Type  | Length            | Dimensions mm (in)<br>Width | Height           | Std. Pk. |
|----------------------|----------|-------|-------------------|-----------------------------|------------------|----------|
| <b>Polystyrene</b>   |          |       |                   |                             |                  |          |
| Enclosure            | 735-414  | AK14  | 300 mm (11.81 in) | 300 mm (11.81 in)           | 142 mm (5.59 in) | 1        |
| <b>Polycarbonate</b> |          |       |                   |                             |                  |          |
| Enclosure            | 736-414  | AKi14 | 300 mm (11.81 in) | 300 mm (11.81 in)           | 142 mm (5.59 in) | 1        |

## Accessories

| Ordering Information              | Cat. No. | Type                       | Std. Pk. |
|-----------------------------------|----------|----------------------------|----------|
| Key Lock                          | 706-102  | KL2                        | 1        |
| Mounting Plate – 240 x 112 mm     | 795-001  | MPI 1                      | 1        |
| Mounting Plate – 240 x 240 mm     | 795-002  | MPI 2                      | 1        |
| DIN Rail - 216 mm Surface Mounted | 562-035  | SMTS35/216                 | 1        |
| Hinge Kit Set                     | 190-005  | HK2                        | 1        |
| Mounting Tab Kit (metal)          | 793-004  | MT2                        | 1        |
| Filler Strip                      | 799-012  | 108 mm piece (6 divisions) | 1        |

Please refer to pages 116-120 for additional accessories and detailed information.



Please refer to page 126 for Knockout details.

**Standard Features**

- **Protection Level:** IP65
- **Technical:** Knockout Sidewalls and Installed Double Membrane Seals  
Tinted Transparent Door  
Multiple Enclosure Combination Option
- **Enclosure Material:** Polystyrene or Polycarbonate
- **Door Material:** Polycarbonate
- **Gasket Material:** Polyurethane
- **Temperature Range:** Polystyrene  
-40°C to 70°C (-40°F to 158°F)  
Polycarbonate  
-35°C to 120°C (-31°F to 248°F)
- **Color:** Light Gray
- **Included Accessories:** (2) DIN Rails, 17 Pole Ground/Neutral Terminal Strip, Cable Shield, Filler Strips, (2) Label Strips, Accessory Case  
(5) M20 Double Membrane Seals  
(2) M25 Double Membrane Seals  
(1) M32 Double Membrane Seals  
(1) M40 Entry Spout
- **Accessories:** See section below



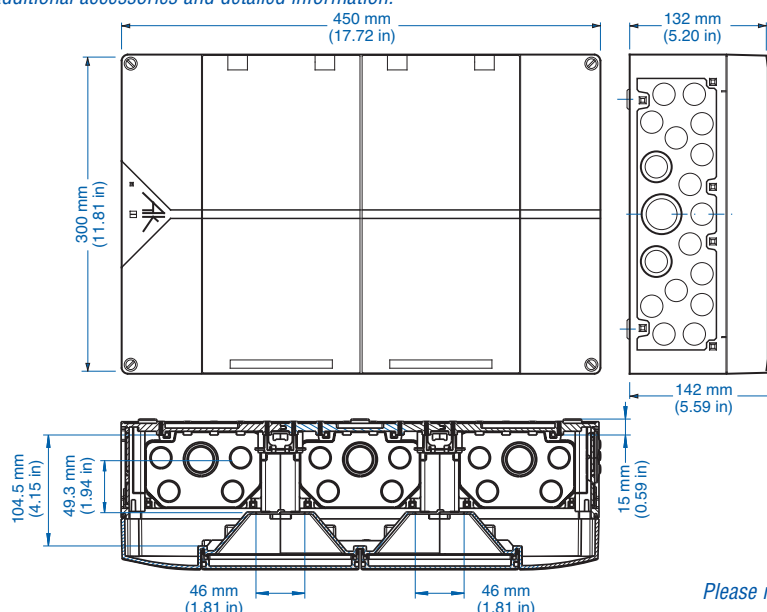
**AK 28**

| Ordering Information | Cat. No. | Type  | Length            | Dimensions mm (in)<br>Width | Height           | Std. Pk. |
|----------------------|----------|-------|-------------------|-----------------------------|------------------|----------|
| <b>Polystyrene</b>   |          |       |                   |                             |                  |          |
| Enclosure            | 735-428  | AK28  | 450 mm (17.72 in) | 300 mm (11.81 in)           | 142 mm (5.59 in) | 1        |
| <b>Polycarbonate</b> |          |       |                   |                             |                  |          |
| Enclosure            | 736-428  | AKi28 | 450 mm (17.72 in) | 300 mm (11.81 in)           | 142 mm (5.59 in) | 1        |

**Accessories**

| Ordering Information              | Cat. No. | Type                       | Std. Pk. |
|-----------------------------------|----------|----------------------------|----------|
| Key Lock                          | 706-102  | KL2                        | 1        |
| Mounting Plate – 240 x 112 mm     | 795-001  | MPI 1                      | 1        |
| Mounting Plate – 240 x 240 mm     | 795-002  | MPI 2                      | 1        |
| Mounting Plate – 240 x 390 mm     | 795-003  | MPI 3                      | 1        |
| DIN Rail - 216 mm Surface Mounted | 562-035  | SMTS35/216                 | 1        |
| Hinge Kit Set                     | 190-005  | HK2                        | 1        |
| Mounting Tab Kit (metal)          | 793-004  | MT2                        | 1        |
| Filler Strip                      | 799-012  | 108 mm piece (6 divisions) | 1        |

Please refer to pages 116-120 for additional accessories and detailed information.



Please refer to page 126 for Knockout details.



# AK 42 – Polystyrene and Polycarbonate – 600x300mm (23.62x11.81in.)

## Standard Features

- **Protection Level:** IP65
- **Technical:** Knockout Sidewalls and Installed Double Membrane Seals  
Tinted Transparent Door  
Multiple Enclosure Combination Option
- **Enclosure Material:** Polystyrene or Polycarbonate
- **Door Material:** Polycarbonate
- **Gasket Material:** Polyurethane
- **Temperature Range:** Polystyrene  
-40°C to 70°C (-40°F to 158°F)  
Polycarbonate  
-35°C to 120°C (-31°F to 248°F)
- **Color:** Light Gray
- **Included Accessories:** (3) DIN Rails, 25 Pole Ground/Neutral Terminal Strip, Cable Shield, Filler Strips, (3) Label Strips, Accessory Case  
(15) M20 Double Membrane Seals  
(2) M25 Double Membrane Seals  
(1) M32 Double Membrane Seals  
(1) M40 Entry Spout
- **Accessories:** See section below



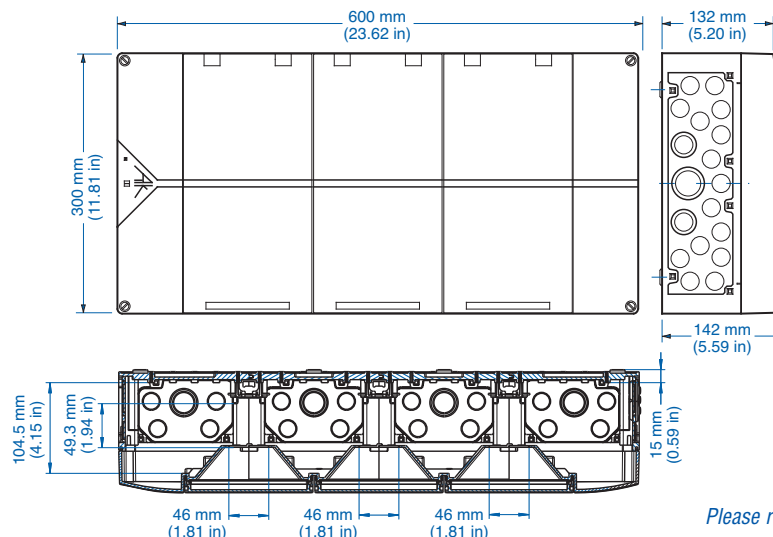
## AK 42

| Ordering Information | Cat. No. | Type  | Length            | Dimensions mm (in)<br>Width | Height           | Std. Pk. |
|----------------------|----------|-------|-------------------|-----------------------------|------------------|----------|
| <b>Polystyrene</b>   |          |       |                   |                             |                  |          |
| Enclosure            | 735-442  | AK42  | 600 mm (23.62 in) | 300 mm (11.81 in)           | 142 mm (5.59 in) | 1        |
| <b>Polycarbonate</b> |          |       |                   |                             |                  |          |
| Enclosure            | 736-442  | AKi42 | 600 mm (23.62 in) | 300 mm (11.81 in)           | 142 mm (5.59 in) | 1        |

## Accessories

| Ordering Information              | Cat. No. | Type.                      | Std. Pk. |
|-----------------------------------|----------|----------------------------|----------|
| Key Lock                          | 706-102  | KL2                        | 1        |
| Mounting Plate – 240 x 112 mm     | 795-001  | MPI 1                      | 1        |
| Mounting Plate – 240 x 240 mm     | 795-002  | MPI 2                      | 1        |
| Mounting Plate – 240 x 390 mm     | 795-003  | MPI 3                      | 1        |
| Mounting Plate – 240 x 540 mm     | 795-004  | MPI 4                      | 1        |
| DIN Rail - 216 mm Surface Mounted | 562-035  | SMTS35/216                 | 1        |
| Hinge Kit Set                     | 190-005  | HK2                        | 1        |
| Mounting Tab Kit (metal)          | 793-004  | MT2                        | 1        |
| Filler Strip                      | 799-012  | 108 mm piece (6 divisions) | 1        |

Please refer to pages 116-120 for additional accessories and detailed information.



Please refer to page 126 for Knockout details.

**Standard Features**

- **Protection Level:** IP65
- **Technical:** Knockout Sidewalls and Installed Double Membrane Seals  
Tinted Transparent Door  
Multiple Enclosure Combination Option
- **Enclosure Material:** Polystyrene or Polycarbonate
- **Door Material:** Polycarbonate
- **Gasket Material:** Polyurethane
- **Temperature Range:** Polystyrene  
-40°C to 70°C (-40°F to 158°F)  
Polycarbonate  
-35°C to 120°C (-31°F to 248°F)
- **Color:** Light Gray
- **Included Accessories:** (4) DIN Rails, 25 Pole Ground/Neutral Terminal Strip, Cable Shield, Filler Strips, (4) Label Strips, Accessory Case  
(15) M20 Double Membrane Seals  
(2) M25 Double Membrane Seals  
(1) M32 Double Membrane Seals  
(1) M40 Entry Spout
- **Accessories:** See section below



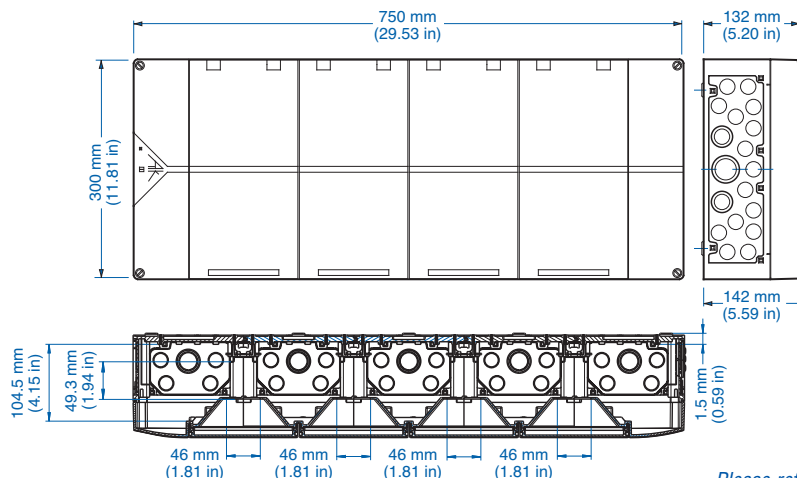
**AK 56**

| Ordering Information | Cat. No. | Type  | Length            | Dimensions mm (in)<br>Width | Height           | Std. Pk. |
|----------------------|----------|-------|-------------------|-----------------------------|------------------|----------|
| <b>Polystyrene</b>   |          |       |                   |                             |                  |          |
| Enclosure            | 735-456  | AK56  | 750 mm (29.53 in) | 300 mm (11.81 in)           | 142 mm (5.59 in) | 1        |
| <b>Polycarbonate</b> |          |       |                   |                             |                  |          |
| Enclosure            | 736-456  | AKi56 | 750 mm (29.53 in) | 300 mm (11.81 in)           | 142 mm (5.59 in) | 1        |

**Accessories**

| Ordering Information              | Cat. No. | Type                       | Std. Pk. |
|-----------------------------------|----------|----------------------------|----------|
| Key Lock                          | 706-102  | KL2                        | 1        |
| Mounting Plate – 240 x 112 mm     | 795-001  | MPI 1                      | 1        |
| Mounting Plate – 240 x 240 mm     | 795-002  | MPI 2                      | 1        |
| Mounting Plate – 240 x 390 mm     | 795-003  | MPI 3                      | 1        |
| Mounting Plate – 240 x 540 mm     | 795-004  | MPI 4                      | 1        |
| DIN Rail - 216 mm Surface Mounted | 562-035  | SMTS35/216                 | 1        |
| Hinge Kit Set                     | 190-005  | HK2                        | 1        |
| Mounting Tab Kit (metal)          | 793-004  | MT2                        | 1        |
| Filler Strip                      | 799-012  | 108 mm piece (6 divisions) | 1        |

Please refer to pages 116-120 for additional accessories and detailed information.



Please refer to page 126 for Knockout details.

# AK 70 – Polystyrene and Polycarbonate – 900x300mm (35.43x11.81in.)

## Standard Features

- **Protection Level:** IP65
- **Technical:** Knockout Sidewalls and Installed Double Membrane Seals  
Tinted Transparent Door  
Multiple Enclosure Combination Option
- **Enclosure Material:** Polystyrene or Polycarbonate
- **Door Material:** Polycarbonate
- **Gasket Material:** Polyurethane
- **Temperature Range:** Polystyrene  
-40°C to 70°C (-40°F to 158°F)  
Polycarbonate  
-35°C to 120°C (-31°F to 248°F)
- **Color:** Light Gray
- **Included Accessories:** (5) DIN Rails, 25 Pole Ground/Neutral Terminal Strip, Cable Shield, Filler Strips, (5) Label Strips, Accessory Case  
(15) M20 Double Membrane Seals  
(2) M25 Double Membrane Seals  
(1) M32 Double Membrane Seal  
(1) M40 Entry Spout
- **Accessories:** See section below



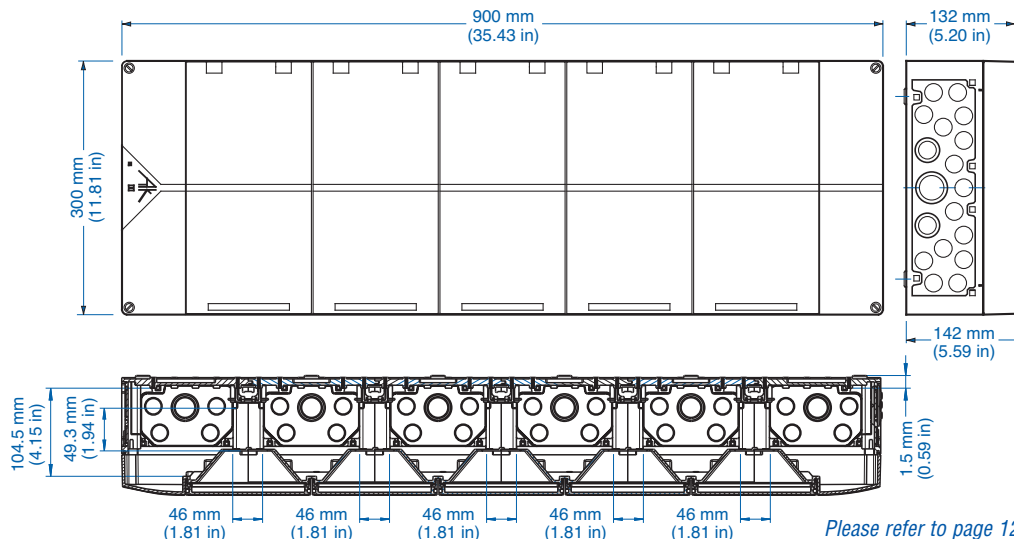
## AK 70

| Ordering Information | Cat. No. | Type  | Length            | Dimensions mm (in) | Width            | Height | Std. Pk. |
|----------------------|----------|-------|-------------------|--------------------|------------------|--------|----------|
| <b>Polystyrene</b>   |          |       |                   |                    |                  |        |          |
| Enclosure            | 735-470  | AK70  | 900 mm (35.43 in) | 300 mm (11.81 in)  | 142 mm (5.59 in) |        | 1        |
| <b>Polycarbonate</b> |          |       |                   |                    |                  |        |          |
| Enclosure            | 736-470  | AKi70 | 900 mm (35.43 in) | 300 mm (11.81 in)  | 142 mm (5.59 in) |        | 1        |

## Accessories

| Ordering Information              | Cat. No. | Type                       | Std. Pk. |
|-----------------------------------|----------|----------------------------|----------|
| Key Lock                          | 706-102  | KL2                        | 1        |
| Mounting Plate – 240 x 112 mm     | 795-001  | MPI 1                      | 1        |
| Mounting Plate – 240 x 240 mm     | 795-002  | MPI 2                      | 1        |
| Mounting Plate – 240 x 390 mm     | 795-003  | MPI 3                      | 1        |
| Mounting Plate – 240 x 540 mm     | 795-004  | MPI 4                      | 1        |
| DIN Rail - 216 mm Surface Mounted | 562-035  | SMTS35/216                 | 1        |
| Hinge Kit Set                     | 190-005  | HK2                        | 1        |
| Mounting Tab Kit (metal)          | 793-004  | MT2                        | 1        |
| Filler Strip                      | 799-012  | 108 mm piece (6 divisions) | 1        |

Please refer to pages 116-120 for additional accessories and detailed information.



Please refer to page 126 for Knockout details.

**Standard Features**

- **Protection Level:** IP65
- **Technical:** Knockout Sidewalls and Installed Double Membrane Seals  
Tinted Transparent Door  
Multiple Enclosure Combination Option
- **Enclosure Material:** Polystyrene or Polycarbonate
- **Door Material:** Polycarbonate
- **Gasket Material:** Polyurethane
- **Temperature Range:** Polystyrene -40°C to 70°C (-40°F to 158°F)  
Polycarbonate -35°C to 120°C (-31°F to 248°F)
- **Color:** Light Gray
- **Included Accessories:** (2) DIN Rails, Cable Shield, Filler Strips,  
(1) Label Strip  
(15) M20 Double Membrane Seals  
(2) M25 Double Membrane Seals  
(1) M32 Double Membrane Seals  
(1) M40 Entry Spout
- **Accessories:** See section below



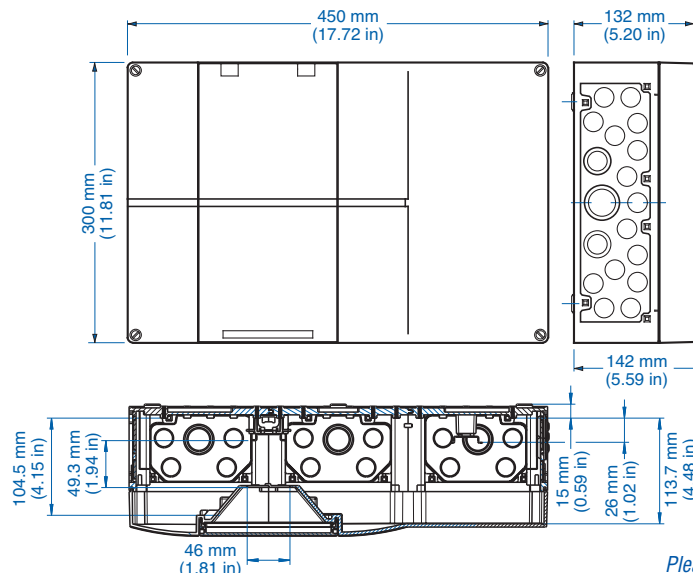
**AK 14+1**

| Ordering Information | Cat. No. | Type    | Length            | Dimensions mm (in)<br>Width | Height           | Std. Pk. |
|----------------------|----------|---------|-------------------|-----------------------------|------------------|----------|
| <b>Polystyrene</b>   |          |         |                   |                             |                  |          |
| Enclosure            | 737-414  | AK14+1  | 450 mm (17.72 in) | 300 mm (11.81 in)           | 142 mm (5.59 in) | 1        |
| <b>Polycarbonate</b> |          |         |                   |                             |                  |          |
| Enclosure            | 738-414  | AKi14+1 | 450 mm (17.72 in) | 300 mm (11.81 in)           | 142 mm (5.59 in) | 1        |

**Accessories**

| Ordering Information              | Cat. No. | Type                       | Std. Pk. |
|-----------------------------------|----------|----------------------------|----------|
| Key Lock                          | 706-102  | KL2                        | 1        |
| Mounting Plate – 240 x 112 mm     | 795-001  | MPI 1                      | 1        |
| Mounting Plate – 240 x 240 mm     | 795-002  | MPI 2                      | 1        |
| Mounting Plate – 240 x 390 mm     | 795-003  | MPI 3                      | 1        |
| DIN Rail - 216 mm Surface Mounted | 562-035  | SMTS35/216                 | 1        |
| Hinge Kit Set                     | 190-005  | HK2                        | 1        |
| Mounting Tab Kit (metal)          | 793-004  | MT2                        | 1        |
| Filler Strip                      | 799-012  | 108 mm piece (6 divisions) | 1        |

Please refer to pages 116-120 for additional accessories and detailed information.



Please refer to page 126 for Knockout details.

# AK 28+1 – Polystyrene and Polycarbonate – 600x300mm (23.62x11.81in.)

## Standard Features

- **Protection Level:** IP65
- **Technical:** Knockout Sidewalls and Installed Double Membrane Seals  
Tinted Transparent Door  
Multiple Enclosure Combination Option
- **Enclosure Material:** Polystyrene or Polycarbonate
- **Door Material:** Polycarbonate
- **Gasket Material:** Polyurethane
- **Temperature Range:** Polystyrene  
-40°C to 70°C (-40°F to 158°F)  
Polycarbonate  
-35°C to 120°C (-31°F to 248°F)
- **Color:** Light Gray
- **Included Accessories:** (3) DIN Rails, Cable Shield, Filler Strips,  
(2) Label Strips  
(15) M20 Double Membrane Seals  
(2) M25 Double Membrane Seals  
(1) M32 Double Membrane Seal  
(1) M40 Entry Spout
- **Accessories:** See section below



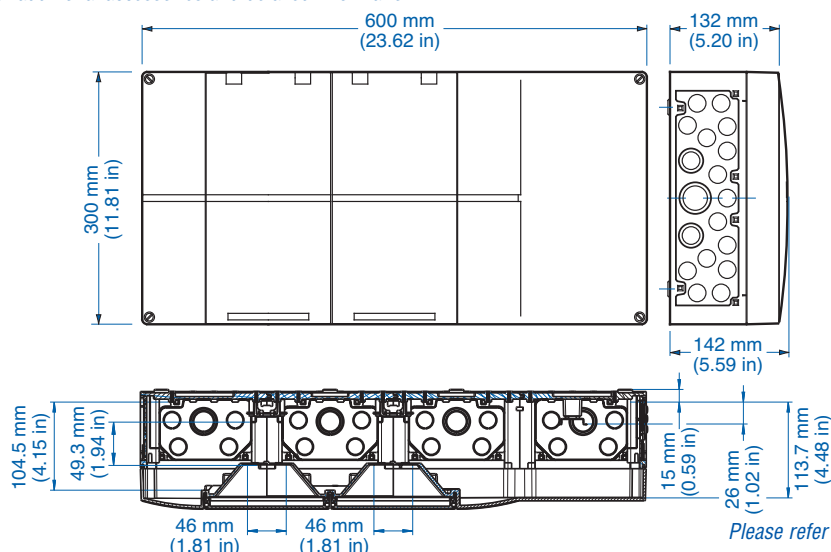
## AK 28+1

| Ordering Information | Cat. No. | Type    | Length            | Dimensions mm (in)<br>Width | Height           | Std. Pk. |
|----------------------|----------|---------|-------------------|-----------------------------|------------------|----------|
| <b>Polystyrene</b>   |          |         |                   |                             |                  |          |
| Enclosure            | 737-428  | AK28+1  | 600 mm (23.62 in) | 300 mm (11.81 in)           | 142 mm (5.59 in) | 1        |
| <b>Polycarbonate</b> |          |         |                   |                             |                  |          |
| Enclosure            | 738-428  | AKi28+1 | 600 mm (23.62 in) | 300 mm (11.81 in)           | 142 mm (5.59 in) | 1        |

## Accessories

| Ordering Information              | Cat. No. | Type                       | Std. Pk. |
|-----------------------------------|----------|----------------------------|----------|
| Key Lock                          | 706-102  | KL2                        | 1        |
| Mounting Plate – 240 x 112 mm     | 795-001  | MPI 1                      | 1        |
| Mounting Plate – 240 x 240 mm     | 795-002  | MPI 2                      | 1        |
| Mounting Plate – 240 x 390 mm     | 795-003  | MPI 3                      | 1        |
| Mounting Plate – 240 x 540 mm     | 795-004  | MPI 4                      | 1        |
| DIN Rail - 216 mm Surface Mounted | 562-035  | SMTS35/216                 | 1        |
| Hinge Kit Set                     | 190-005  | HK2                        | 1        |
| Mounting Tab Kit (metal)          | 793-004  | MT2                        | 1        |
| Filler Strip                      | 799-012  | 108 mm piece (6 divisions) | 1        |

Please refer to pages 116-120 for additional accessories and detailed information.



Please refer to page 126 for Knockout details.



**Standard Features**

- **Protection Level:** IP65
- **Technical:** Knockout Sidewalls and Installed Double Membrane Seals  
Tinted Transparent Door  
Multiple Enclosure Combination Option
- **Enclosure Material:** Polystyrene or Polycarbonate
- **Door Material:** Polycarbonate
- **Gasket Material:** Polyurethane
- **Temperature Range:** Polystyrene  
-40°C to 70°C (-40°F to 158°F)  
Polycarbonate  
-35°C to 120°C (-31°F to 248°F)
- **Color:** Light Gray
- **Included Accessories:** (4) DIN Rails, Cable Shield, Filler Strips,  
(3) Label Strips  
(15) M20 Double Membrane Seals  
(2) M25 Double Membrane Seals  
(1) M32 Double Membrane Seals  
(1) M40 Entry Spout
- **Accessories:** See section below



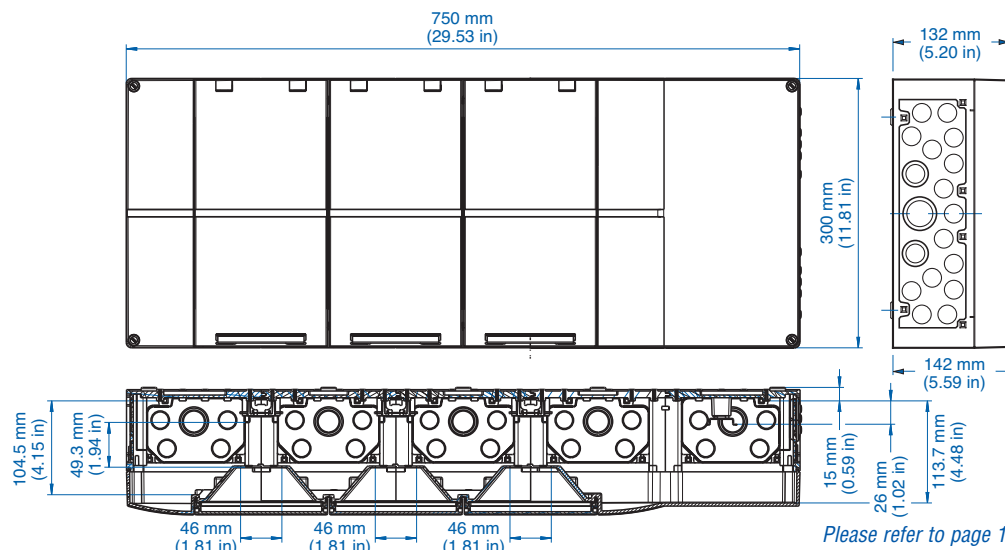
**AK 42+1**

| Ordering Information | Cat. No. | Type    | Length            | Dimensions mm (in)<br>Width | Height           | Std. Pk. |
|----------------------|----------|---------|-------------------|-----------------------------|------------------|----------|
| <b>Polystyrene</b>   |          |         |                   |                             |                  |          |
| Enclosure            | 737-442  | AK42+1  | 750 mm (29.53 in) | 300 mm (11.81 in)           | 142 mm (5.59 in) | 1        |
| <b>Polycarbonate</b> |          |         |                   |                             |                  |          |
| Enclosure            | 738-442  | AKi42+1 | 750 mm (29.53 in) | 300 mm (11.81 in)           | 142 mm (5.59 in) | 1        |

**Accessories**

| Ordering Information              | Cat. No. | Type                       | Std. Pk. |
|-----------------------------------|----------|----------------------------|----------|
| Key Lock                          | 706-102  | KL2                        | 1        |
| Mounting Plate – 240 x 112 mm     | 795-001  | MPI 1                      | 1        |
| Mounting Plate – 240 x 240 mm     | 795-002  | MPI 2                      | 1        |
| Mounting Plate – 240 x 390 mm     | 795-003  | MPI 3                      | 1        |
| Mounting Plate – 240 x 540 mm     | 795-004  | MPI 4                      | 1        |
| DIN Rail - 216 mm Surface Mounted | 562-035  | SMTS35/216                 | 1        |
| Hinge Kit Set                     | 190-005  | HK2                        | 1        |
| Mounting Tab Kit (metal)          | 793-004  | MT2                        | 1        |
| Filler Strip                      | 799-012  | 108 mm piece (6 divisions) | 1        |

Please refer to pages 116-120 for additional accessories and detailed information.



Please refer to page 126 for Knockout details.

# AK 56+1 – Polystyrene and Polycarbonate – 900x300mm (35.43x11.81in.)

## Standard Features

- **Protection Level:** IP65
- **Technical:** Knockout Sidewalls and Installed Double Membrane Seals  
Tinted Transparent Door  
Multiple Enclosure Combination Option
- **Enclosure Material:** Polystyrene or Polycarbonate
- **Door Material:** Polycarbonate
- **Gasket Material:** Polyurethane
- **Temperature Range:** Polystyrene  
-40°C to 70°C (-40°F to 158°F)  
Polycarbonate  
-35°C to 120°C (-31°F to 248°F)
- **Color:** Light Gray
- **Included Accessories:** (5) DIN Rails, Cable Shield, Filler Strips,  
(4) Label Strips  
(15) M20 Double Membrane Seals  
(2) M25 Double Membrane Seals  
(1) M32 Double Membrane Seals  
(1) M40 Entry Spout
- **Accessories:** See section below



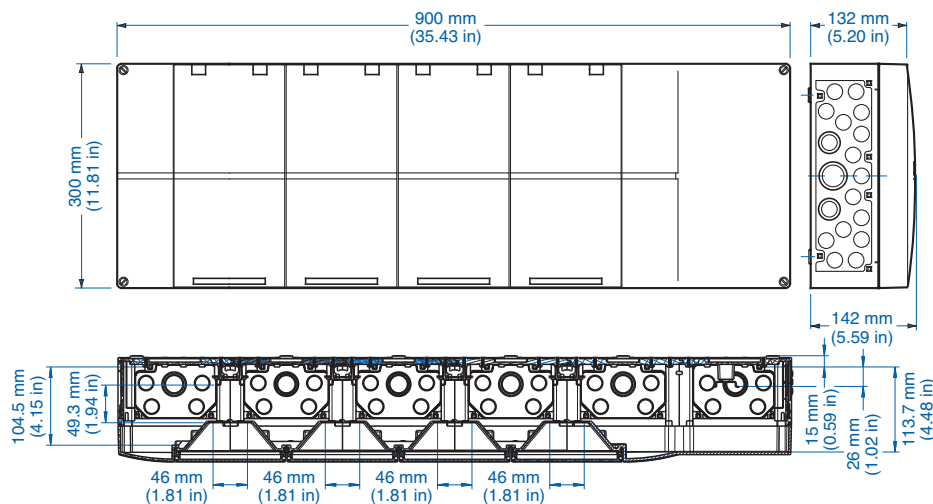
## AK 56+1

| Ordering Information | Cat. No. | Type    | Length            | Dimensions mm (in)<br>Width | Height           | Std. Pk. |
|----------------------|----------|---------|-------------------|-----------------------------|------------------|----------|
| <b>Polystyrene</b>   |          |         |                   |                             |                  |          |
| Enclosure            | 737-456  | AK56+1  | 900 mm (35.43 in) | 300 mm (11.81 in)           | 142 mm (5.59 in) | 1        |
| <b>Polycarbonate</b> |          |         |                   |                             |                  |          |
| Enclosure            | 738-456  | AKi56+1 | 900 mm (35.43 in) | 300 mm (11.81 in)           | 142 mm (5.59 in) | 1        |

## Accessories

| Ordering Information              | Cat. No. | Type                       | Std. Pk. |
|-----------------------------------|----------|----------------------------|----------|
| Key Lock                          | 706-102  | KL2                        | 1        |
| Mounting Plate – 240 x 112 mm     | 795-001  | MPI 1                      | 1        |
| Mounting Plate – 240 x 240 mm     | 795-002  | MPI 2                      | 1        |
| Mounting Plate – 240 x 390 mm     | 795-003  | MPI 3                      | 1        |
| Mounting Plate – 240 x 540 mm     | 795-004  | MPI 4                      | 1        |
| DIN Rail - 216 mm Surface Mounted | 562-035  | SMTS35/216                 | 1        |
| Hinge Kit Set                     | 190-005  | HK2                        | 1        |
| Mounting Tab Kit (metal)          | 793-004  | MT2                        | 1        |
| Filler Strip                      | 799-012  | 108 mm piece (6 divisions) | 1        |

Please refer to pages 116-120 for additional accessories and detailed information.



Please refer to page 126 for Knockout details.

**Check Out Our latest  
Liquid Tight Strain Relief Catalog**  
*including a variety of materials, accessories and conduit*



**Contact Altech today or download a  
catalog at [www.altechcorp.com](http://www.altechcorp.com).**

## X-ON Electronics

Largest Supplier of Electrical and Electronic Components

*Click to view similar products for [Enclosures, Boxes & Cases](#) category:*

*Click to view products by [Altech](#) manufacturer:*

Other Similar products are found below :

[585-R-WH-PK](#) [014415](#) [M-10-PLATED](#) [60221-01](#) [60566-01-000](#) [HPL-9VB BATT DOOR](#) [M18-PLTD](#) [M-21-PLATED](#) [63310-01-000](#)  
[6711GSKT](#) [71884-29-028](#) [LH45-100 Black](#) [7200B](#) [72868-510-000](#) [CNS-0000 Black](#) [72883-510-000](#) [CNS-0101 Black](#) [72906-510-000](#) [CNS-](#)  
[0407 Black](#) [73092-510-000](#) [CNM-0101 Black](#) [73105-510-000](#) [CNL-0101 Black](#) [73108-510-000](#) [CNL-0303 Black](#) [73395-510-039](#) [CNS-0006](#)  
[Bone](#) [74257-510-000](#) [CNL-0004](#) [MDC-1183-PLAIN-ALUM](#) [MDC-1183-PTD](#) [MDC-13104-PTD](#) [MDC-321-PTD](#) [MDC-973-PTD](#) [76](#)  
[77153-01-028](#) [FLX6030](#) [83535-01-508](#) [90026-501-000](#) [PS36-200](#) [116-508](#) [120-407](#) [120-910](#) [127-908](#) [130-008](#) [1301170079](#) [1322GSKTEP](#)  
[1325GSKT3](#) [138-PLAIN](#) [1434-1210](#) [EAS-500 \(BLACK ANO\)](#) [1804RP-RB-PK](#) [190-005](#) [KAB3321 BLACK](#) [KAB3421](#) [2697466](#) [S52213](#)  
[2901699](#) [A0645271](#) [A20P20](#) [2106-IR](#)