

Abox Series

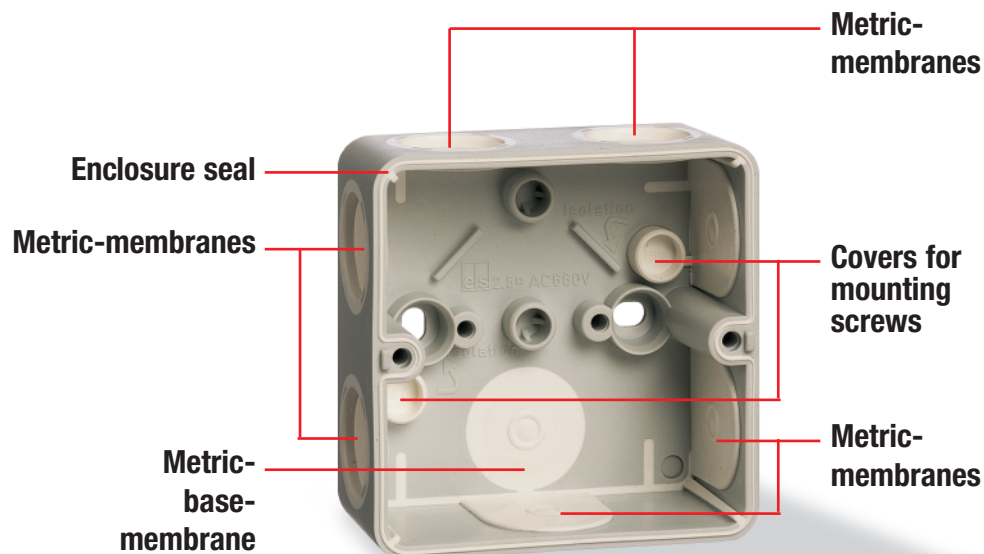
The Abox family consists of six enclosures that feature an attractive modern design and shape that allow for optimum use of installation space. Each enclosure has either membranes or knockouts on each sidewall and on the backside.

Two of the six enclosures in this family feature "Dual Molding Technology". This feature incorporates rubber membranes molded right into the polystyrene body. This allows the user to simply push wires through the membrane or cut them out to install a cable gland. These access holes can accommodate metric cable glands and entry spouts.

Abox Enclosures are available in sizes ranging from 80 x 80 x 52 mm (3.15 x 3.15 x 2.05 in.) to 250 x 250 x 115 mm (9.84 x 9.84 x 4.53 in.).

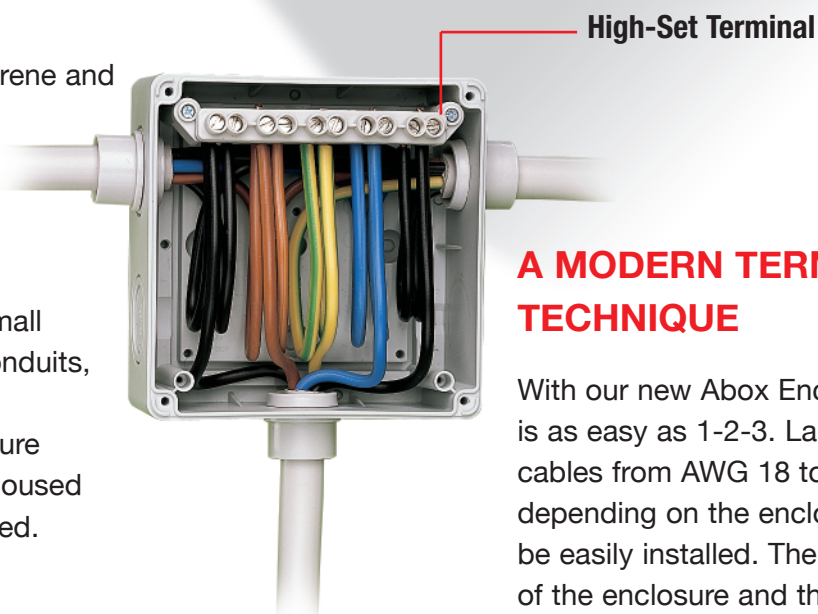
Most enclosures in the family can maintain IP65 protection with the use of complementary IP65 cable glands. The dual membrane models are IP65, without the addition of cable glands.

- Two to four high grade self tapping screws secure the lid
- Tongue and groove sealing system with polyurethane gasket
- Made from non-flammable Polystyrene



CONVENIENCE AND RELIABILITY

Abox Enclosures are manufactured in Polystyrene and are approved by several international test agencies. The unique design of Metric-Membranes allows for installation of large or small cables, cable glands, conduits, and entry spouts while ensuring that the enclosure remains sealed and all housed components are protected.



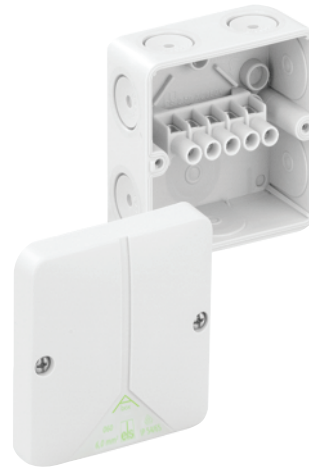
A MODERN TERMINAL TECHNIQUE

With our new Abox Enclosures wiring is as easy as 1-2-3. Large numbers of cables from AWG 18 to AWG 2 depending on the enclosure size, can be easily installed. The square shape of the enclosure and the domed cover provide ample room for even the toughest wiring job.

Abox 025 – Polystyrene – 80 x 80 mm (3.15 x 3.15 in.)

Standard Features

- **Protection Level:** IP65
- **Technical:** Self Sealing Soft Elastic Membranes
Suitable for Metric Entry
- **Sealing Area:** M20 - 2 to 16mm
- **UL Recognized**
- **Enclosure Material:** Polystyrene
- **Gasket Material:** Polyurethane
- **Color:** Light Gray or White
- **Material**
- **Temperature Range:** Polystyrene
-40°C to 70°C (-40°F to 158°F)
- **Accessories:** See section below



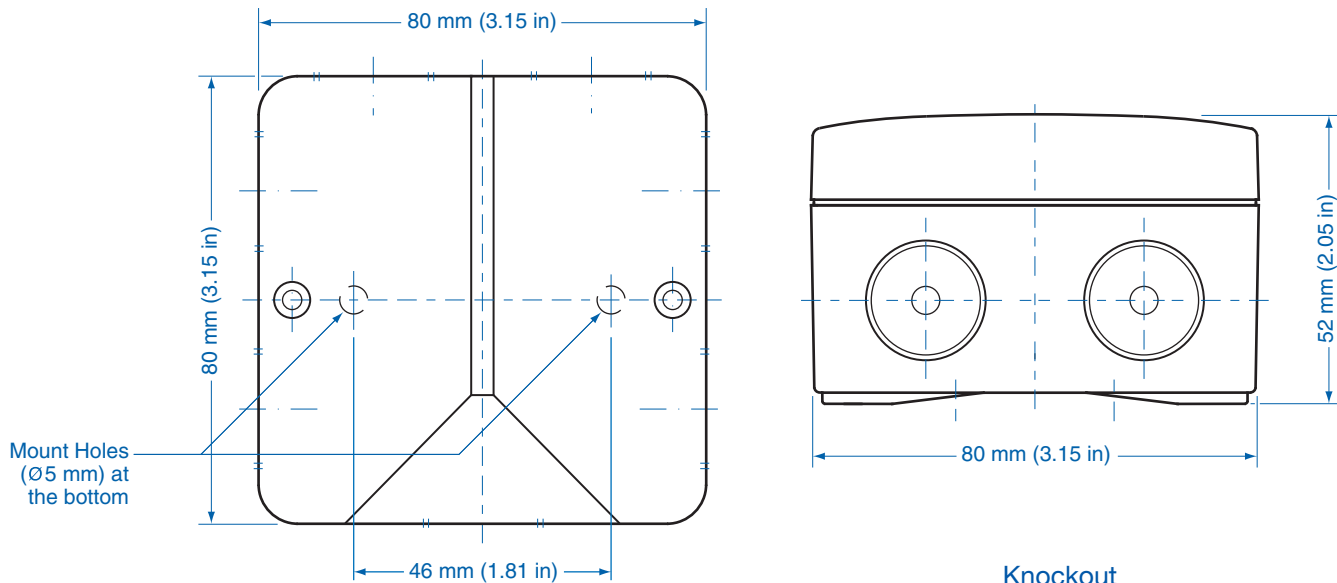
Abox

Ordering Information	Cat. No.	Color	Terminal	Length	Dimensions mm (in) Width	Height	Std. Pk.
Enclosure with terminals	802-407	gray	2.5 mm ² - 5 pole	80 mm (3.15 in)	80 mm (3.15 in)	52 mm (2.05 in)	3
Enclosure with terminals	802-107	white	2.5 mm ² - 5 pole	80 mm (3.15 in)	80 mm (3.15 in)	52 mm (2.05 in)	3
Enclosure - empty	802-907	gray	NA	80 mm (3.15 in)	80 mm (3.15 in)	52 mm (2.05 in)	3
Enclosure - empty	802-607	white	NA	80 mm (3.15 in)	80 mm (3.15 in)	52 mm (2.05 in)	3

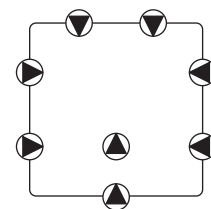
Accessories

Ordering Information	Cat. No.	Type	Std. Pk.
Terminal (base mount)	840-004	2.5/4 mm ² - 5 pole	10

Please refer to pages 149-152 for additional accessories and detailed information.

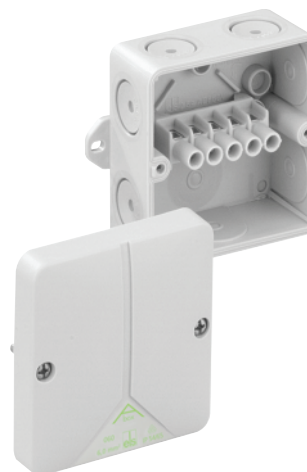


Knockout Detail



Standard Features

- **Protection Level:** IP65
- **Technical:** Self Sealing Soft Elastic Membranes
Suitable for Metric Entry
- **Sealing Area:** M20 - 2 to 16mm
- **UL Recognized**
- **Enclosure Material:** Polystyrene
- **Gasket Material:** Polyurethane
- **Color:** Light Gray or White
- **Material**
- **Temperature Range:** Polystyrene
-40°C to 70°C (-40°F to 158°F)
- **Accessories:** See section below



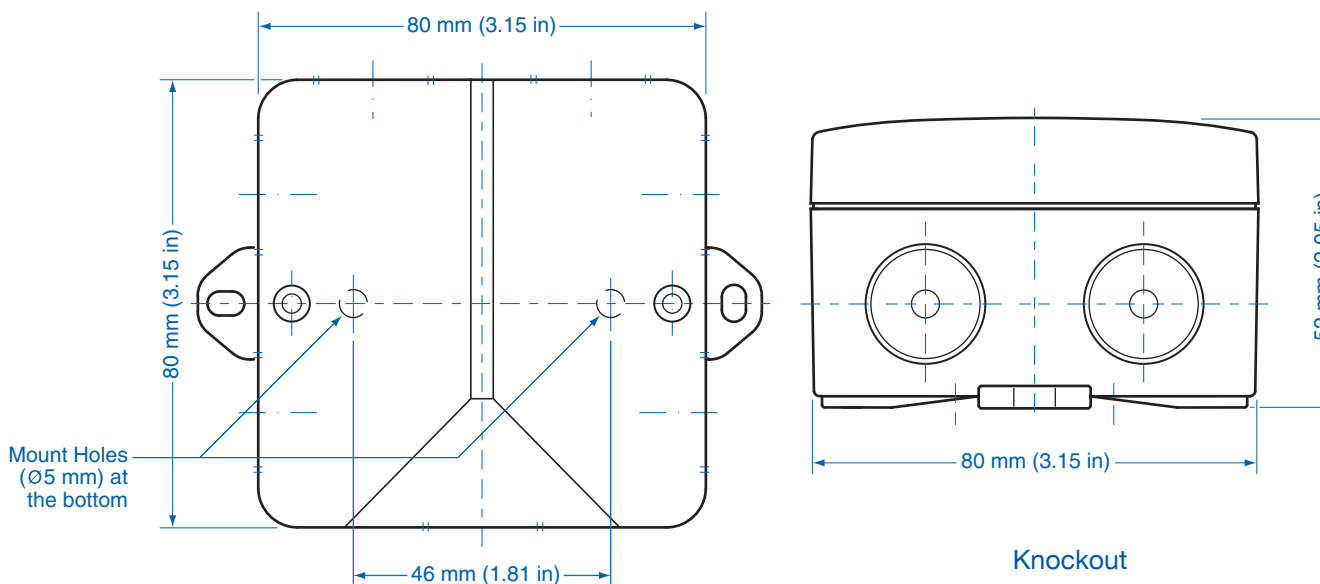
Abox

Ordering Information	Cat. No.	Color	Terminal	Length	Dimensions mm (in)		Std. Pk.
					Width	Height	
Enclosure with terminals	803-407	gray	2.5 mm ² - 5 pole	80 mm (3.15 in)	80 mm (3.15 in)	52 mm (2.05 in)	3
Enclosure with terminals	803-107	white	2.5 mm ² - 5 pole	80 mm (3.15 in)	80 mm (3.15 in)	52 mm (2.05 in)	3
Enclosure - empty	803-907	gray	NA	80 mm (3.15 in)	80 mm (3.15 in)	52 mm (2.05 in)	3
Enclosure - empty	803-607	white	NA	80 mm (3.15 in)	80 mm (3.15 in)	52 mm (2.05 in)	3

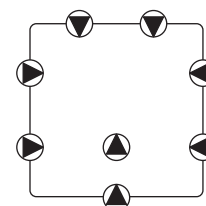
Accessories

Ordering Information	Cat. No.	Type	Std. Pk.
Terminal (base mount)	840-004	2.5/4 mm ² - 5 pole	10

Please refer to pages 149-152 for additional accessories and detailed information.



Knockout Detail



Abox 040 – Polystyrene – 93 x 93 mm (3.66 x 3.66 in.)

Standard Features

- **Protection Level:** IP65
- **Technical:** Self Sealing Soft Elastic Membranes
Suitable for Metric Entry
- **Sealing Area:** M20 - 2 to 16mm
- **UL Recognized**
- **Enclosure Material:** Polystyrene
- **Gasket Material:** Polyurethane
- **Color:** Light Gray or White
- **Material**
- **Temperature Range:** Polystyrene
-40°C to 70°C (-40°F to 158°F)
- **Accessories:** See section below



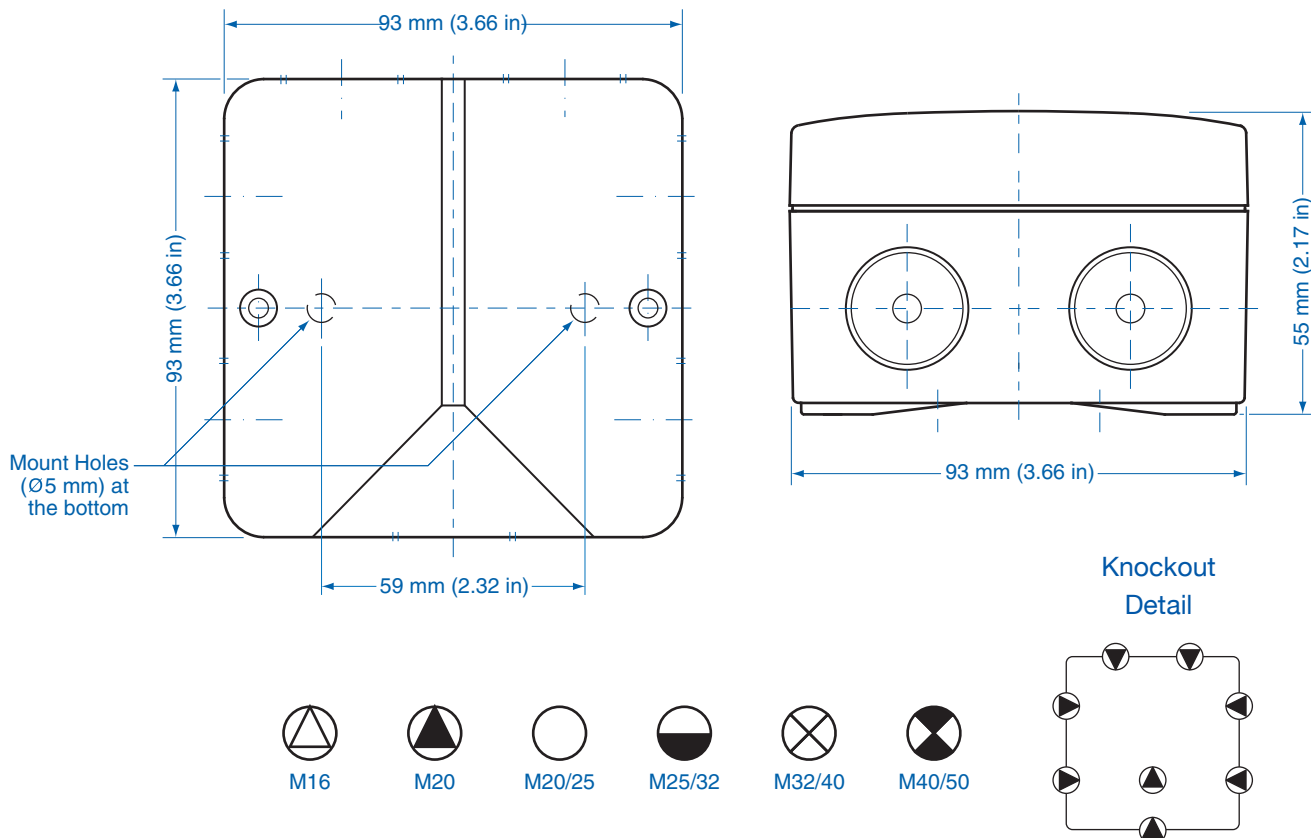
Abox

Ordering Information	Cat. No.	Color	Terminal	Length	Dimensions mm (in)		Std. Pk.
					Width	Height	
Enclosure with terminals	804-407	gray	4 mm ² - 5 pole	93 mm (3.66 in)	93 mm (3.66 in)	55 mm (2.17 in)	3
Enclosure with terminals	804-107	white	4 mm ² - 5 pole	93 mm (3.66 in)	93 mm (3.66 in)	55 mm (2.17 in)	3
Enclosure - empty	804-907	gray	NA	93 mm (3.66 in)	93 mm (3.66 in)	55 mm (2.17 in)	3
Enclosure - empty	804-607	white	NA	93 mm (3.66 in)	93 mm (3.66 in)	55 mm (2.17 in)	3

Accessories

Ordering Information	Cat. No.	Type	Std. Pk.
Terminal (base mount)	840-004	2.5/4 mm ² - 5 pole 10	

Please refer to pages 149-152 for additional accessories and detailed information.



Standard Features

- **Protection Level:** IP54* / IP65**
- **Technical:** Knockout Sidewalls
- **UL Recognized**
- **Enclosure Material:** Polystyrene
- **Gasket Material:** Polyurethane
- **Color:** Light Gray or White
- **Material**
- **Temperature Range:** Polystyrene
-40°C to 70°C (-40°F to 158°F)
- **Included Accessories:** (4) M25 Entry Spouts for Cables 9-18mm
(1) M25 Sealing Plug
- **Accessories:** See section below



* With Supplied Entry Spouts
** As Equipped or With Optional IP65 Cable Glands

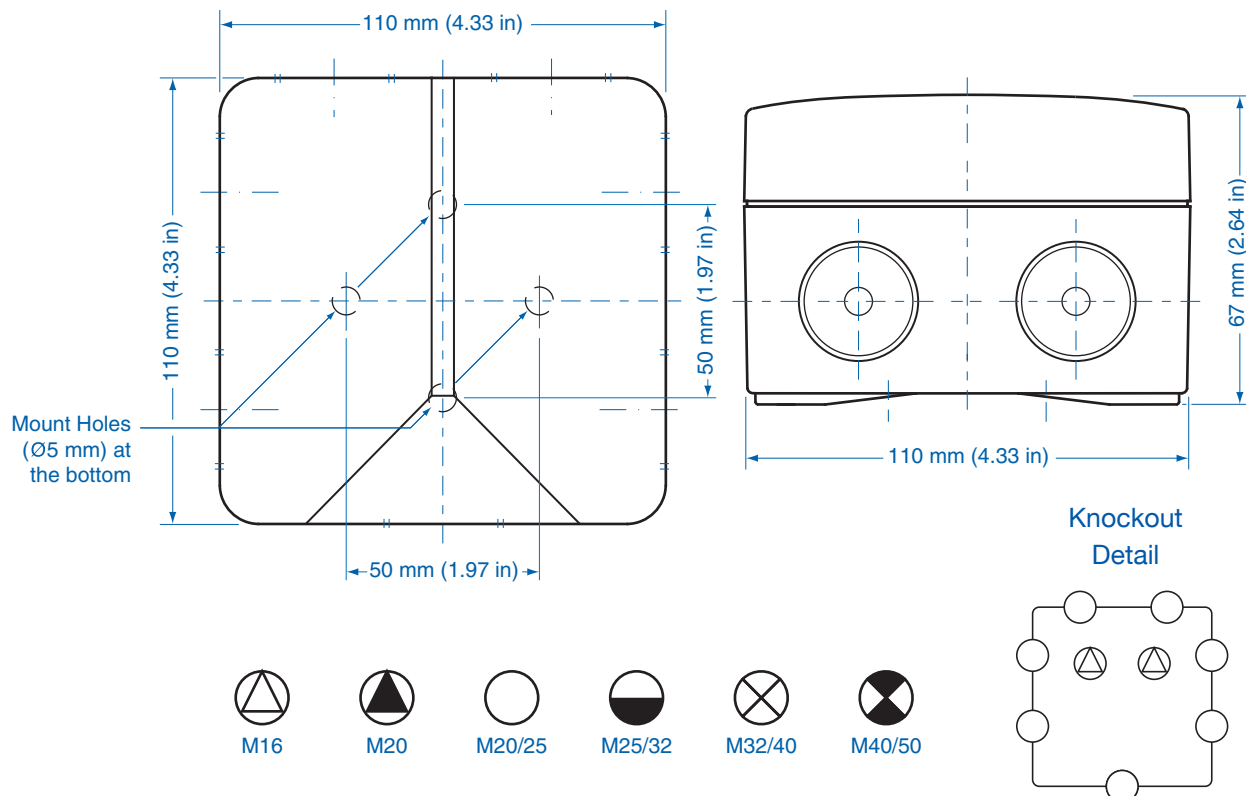
Abox

Ordering Information	Cat. No.	Color	Terminal	Length	Dimensions mm (in)		Std. Pk.
					Width	Height	
Enclosure with terminals	806-407	gray	6 mm ² - 5 pole	110 mm (4.33 in)	110 mm (4.33 in)	67 mm (2.64 in)	2
Enclosure - empty	806-907	gray	NA	110 mm (4.33 in)	110 mm (4.33 in)	67 mm (2.64 in)	2

Accessories

Ordering Information	Cat. No.	Type	Std. Pk.
Mounting Plate	895-006	MP060	1
DIN Rail TS 35 – 35x81 mm	198-081	TS 35/81	1
Terminal (high-set)	840-006	6 mm ² - 5 pole	5

Please refer to pages 149-152 for additional accessories and detailed information.



Abox 100 – Polystyrene – 140 x 140 mm (5.51 x 5.51 in.)

Standard Features

- **Protection Level:** IP54* / IP65**
- **Technical:** Knockout Sidewalls
- **UL Recognized**
- **Enclosure Material:** Polystyrene
- **Gasket Material:** Polyurethane
- **Color:** Light Gray or White
- **Material**
- **Temperature Range:** Polystyrene
-40°C to 70°C (-40°F to 158°F)
- **Included Accessories:** (4) M32 Entry Spouts for Cables 11-23mm
(1) M32 Sealing Plug
- **Accessories:** See section below



* With Supplied Entry Spouts
** As Equipped or With Optional IP65 Cable Glands

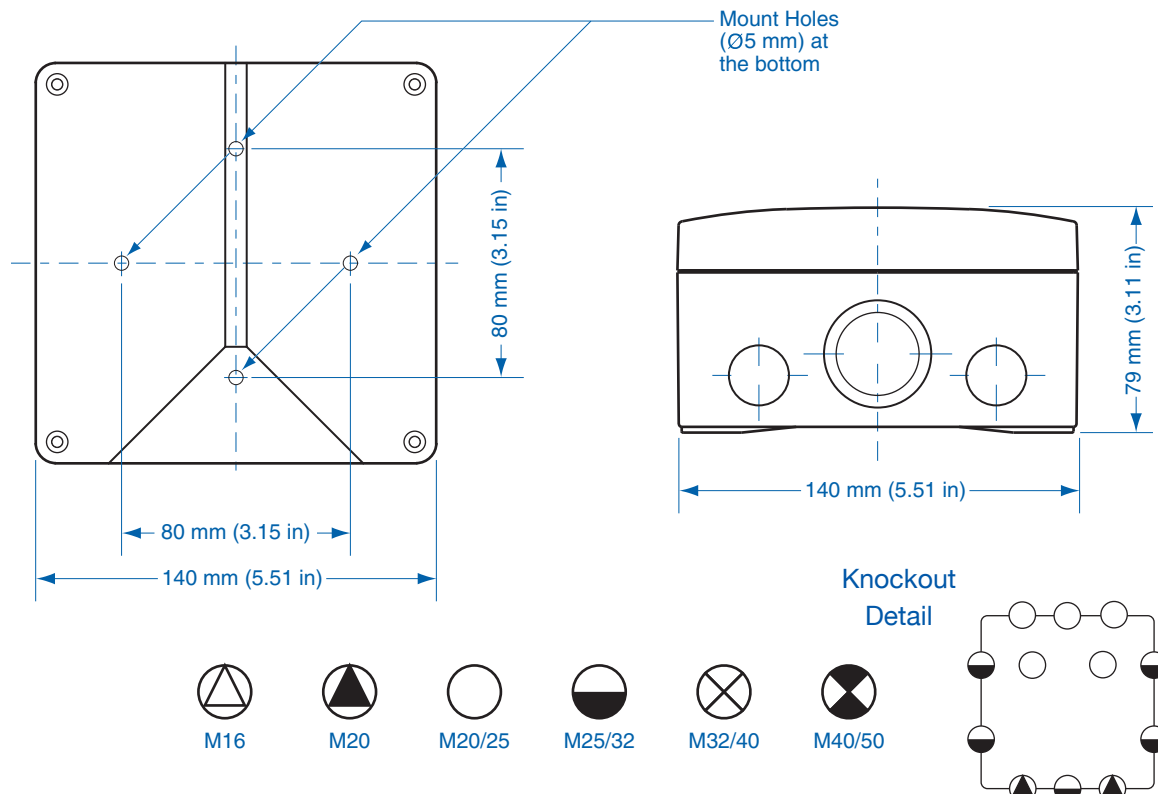
Abox

Ordering Information.	Cat. No	Color	Terminal	Length	Dimensions mm (in)		Std. Pk.
					Width	Height	
Enclosure with terminals	810-410	gray	10 mm ² -5 pole	140 mm (5.51 in)	140 mm (5.51 in)	79 mm (3.11 in)	2
Enclosure - empty	810-910	gray	NA	140 mm (5.51 in)	140 mm (5.51 in)	79 mm (3.11 in)	2

Accessories

Ordering Information	Cat. No.	Type	Std. Pk.
Mounting Plate	895-010	MP100	1
DIN Rail TS 35 – 35x106 mm	198-106	TS 35/106	1
Terminal (high-set)	840-010	10 mm ² - 5 pole	5

Please refer to pages 149-152 for additional accessories and detailed information.



Standard Features

- **Protection Level:** IP54* / IP65**
- **Technical:** Knockout Sidewalls
- **UL Recognized**
- **Enclosure Material:** Polystyrene
- **Gasket Material:** Polyurethane
- **Color:** Light Gray or White
- **Material**
- **Temperature Range:** Polystyrene
-40°C to 70°C (-40°F to 158°F)
- **Included Accessories:** (4) M40 Entry Spouts for Cables 17-30mm
(1) M40 Sealing Plug
(1) Tamper Kit
- **Accessories:** See section below



* With Supplied Entry Spouts
**As Equipped or With Optional IP65 Cable Glands

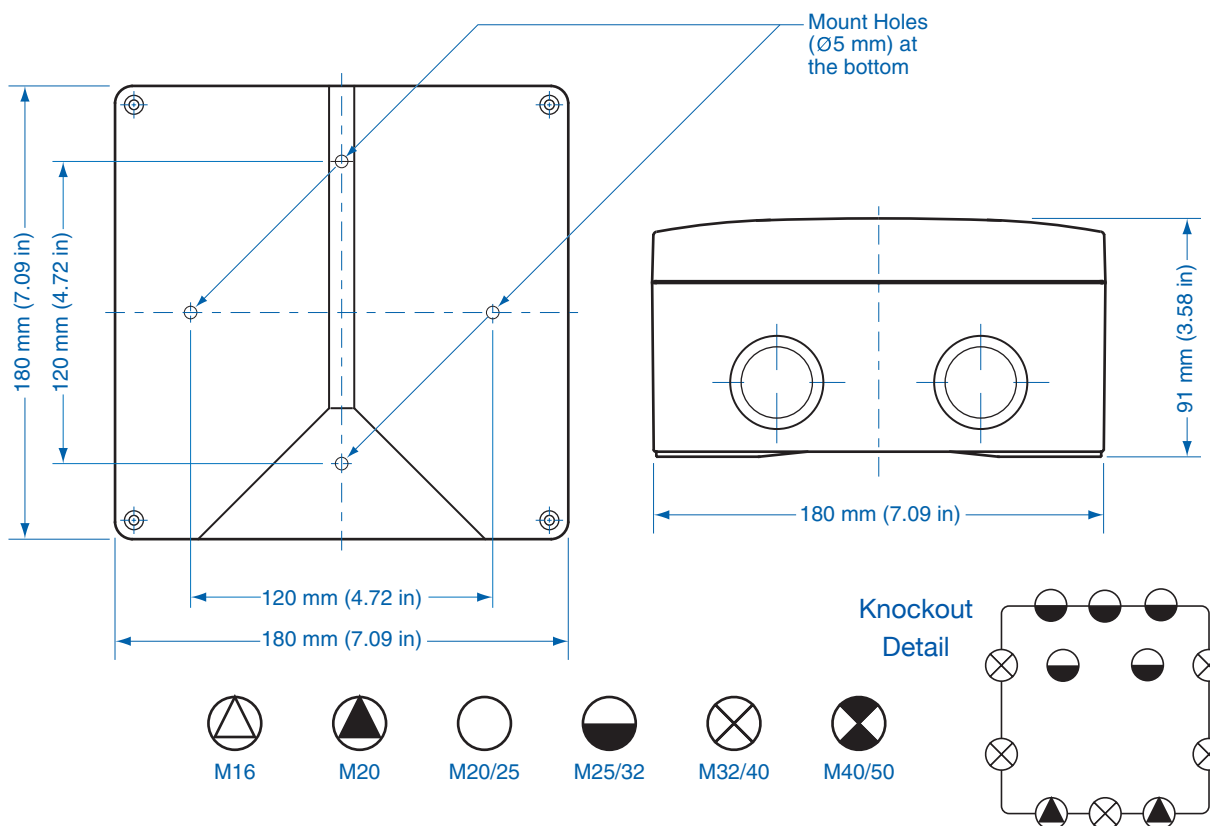
Abox

Ordering Information	Cat. No.	Color	Terminal	Length	Dimensions mm (in)		Std. Pk.
					Width	Height	
Enclosure with terminals	816-410	gray	16/25 mm ² -5 pole	180 mm (7.09 in)	180 mm (7.09 in)	91 mm (3.58 in)	1
Enclosure - empty	816-910	gray	NA	180 mm (7.09 in)	180 mm (7.09 in)	91 mm (3.58 in)	1

Accessories

Ordering Information	Cat. No.	Type	Std. Pk.
Mounting Plate	895-016	MP160	1
DIN Rail TS 35 – 35x144 mm	894-016	TS 35/144	1
Terminal (high-set)	840-016	16/25mm ² - 5 pole	2

Please refer to pages 149-152 for additional accessories and detailed information.



Abox 350 – Polystyrene – 250 x 250 mm (9.84 x 9.84 in.)

Standard Features

- **Protection Level:** IP54* / IP65**
- **Technical:** Knockout Sidewalls
- **UL Recognized Enclosure Material:** Polystyrene
- **Gasket Material:** Polyurethane
- **Color:** Light Gray or White
- **Material Temperature Range:** Polystyrene
-40°C to 70°C (-40°F to 158°F)
- **Included Accessories:** (4) M40 Entry Spouts for Cables 17-30mm
(1) M40 Sealing Plug
(1) Tamper Kit
- **Accessories:** See section below



* With Supplied Entry Spouts

**As Equipped or With Optional IP65 Cable Glands

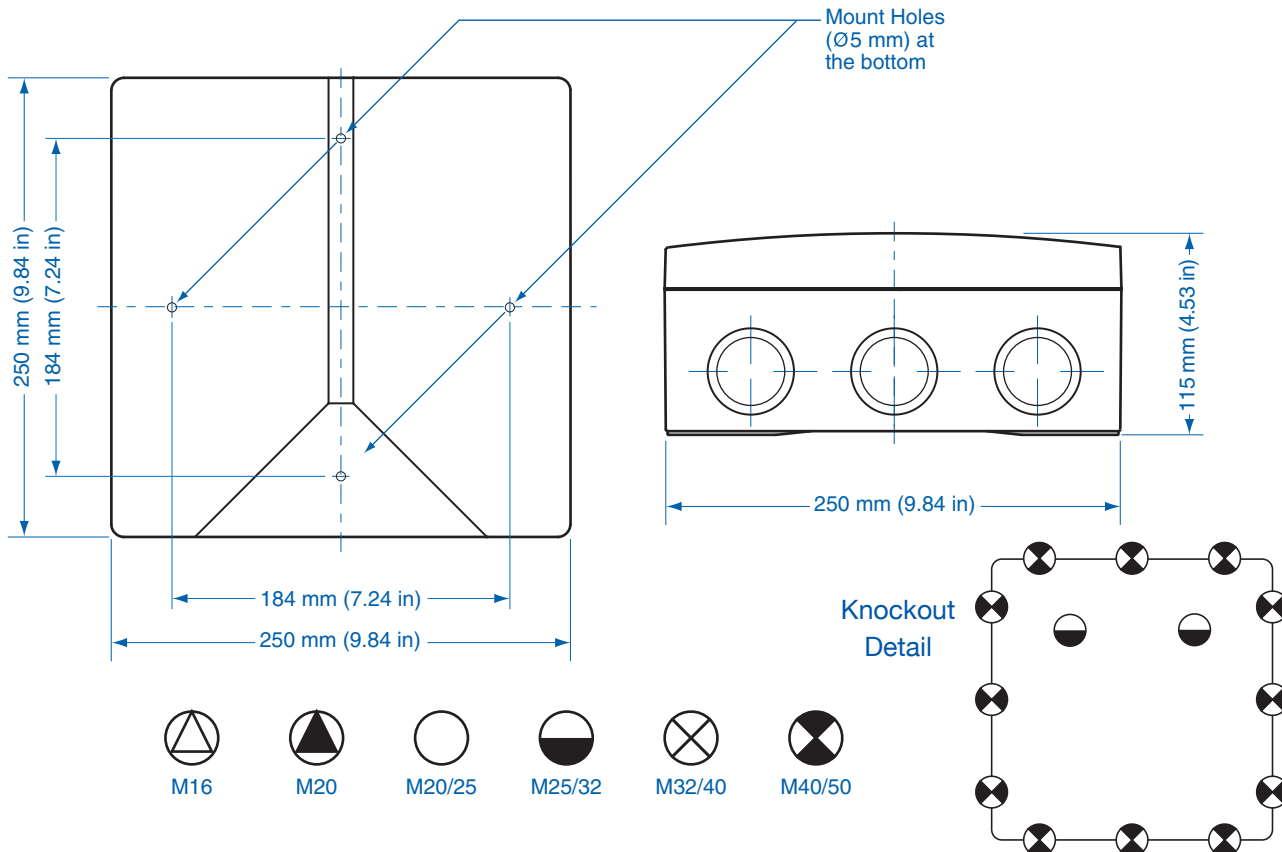
Abox

Ordering Information	Cat. No.	Color	Terminal	Length	Dimensions mm (in)		Std. Pk.
					Width	Height	
Enclosure with terminals	835-410	gray	35/25 mm ² - 5 pole	250 mm (9.84 in)	250 mm (9.84 in)	115 mm (4.53 in)	1
Enclosure - empty	835-910	gray	NA	250 mm (9.84 in)	250 mm (9.84 in)	115 mm (4.53 in)	1

Accessories

Ordering Information	Cat. No.	Type	Std. Pk.
Mounting Plate	895-035	MP350	1
DIN Rail TS 35 – 35x216 mm	894-035	TS 35/216	1
Terminal (high-set)	840-035	35/25 mm ² - 5 pole	1

Please refer to pages 149-152 for additional accessories and detailed information.



X-ON Electronics

Largest Supplier of Electrical and Electronic Components

Click to view similar products for [Enclosures for Industrial Automation](#) category:

Click to view products by [Altech](#) manufacturer:

Other Similar products are found below :

[116-508](#) [130-008](#) [190-005](#) [2202307](#) [2901699](#) [2790318](#) [2906238](#) [WM011RI,BK](#) [WM052I,GY](#) [WM093RI,BK](#) [5030266](#) [WM053R,BK](#)
[WM032I,BK](#) [2909989](#) [120-908](#) [150-007](#) [790-207](#) [2200095](#) [111-012](#) [127-408](#) [802-407](#) [115-401](#) [795-001](#) [790-211](#) [733-820](#)
[BW67DBKCSYL](#) [CX68DBKANG](#) [CXL68DBKAYL](#) [CXL65DBKANG](#) [BW68DBKCSBL](#) [DPH-28714-C](#) [135-007](#) [721-032](#) [1103440](#)
[1037322](#) [1167159](#) [1158978](#) [1158981](#) [1158982](#) [2202667](#) [1017444](#) [BWA-AH664](#) [100-403-91](#) [100-405-01](#) [101-003-91](#) [101-004-91](#) [101-506-](#)
[01](#) [WM012I,GY](#) [WM013I,AL](#) [WM052RI,GY](#)