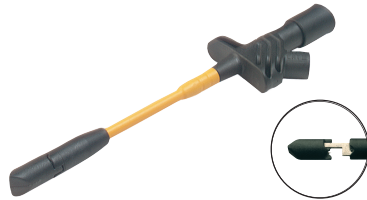


Clamp-type Test Probe 4 mm system



Type

KLEPS 2700

Safety clamp-type test probe with split test clamp. The sprung stainless steel tip can contact insulated leads with cross-sections between 0.25 mm² and 1.5 mm² (3.5 mm diameter) without the need to strip them. 4 mm diameter brass socket connection.

Clamping range 3.5 mm
Clamp type spring-loaded stainless steel tip

PART NO. / Housing color
972307100 ●
972307101 ●

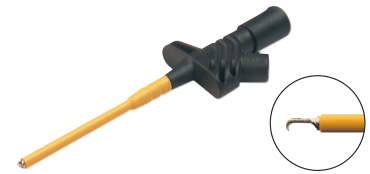


KLEPS 2800

Safety clamp-type test probe with wide opening grip claws for contacting large measuring areas and leads with large cross-sections. 4 mm brass socket connection. Connects with safety measuring leads.

10 mm
grip claws

972308100 ●
972308101 ●



KLEPS 2900

Safety clamp-type test probe with unsprung hook to ensure secure clamping of eyes, pins, wires and boards. 4 mm brass socket connection. Connects with safety measuring leads.

5.5 mm
contact hook

972309100 ●
972309101 ●

Technical data

Type of termination socket Ø 4 mm
Rated voltage AC/DC 1000 V
Measurement cat. acc. to IEC61010 CAT III
Rated current* 10 A
Contact resistance 100 mOhm
Certificate CE

Material Specifications

Contact material tip: stainless steel, socket: brass
Contact surface material nickel
Housing material PBT

Environmental conditions

Temperature range -25 °C to +80 °C

Inflammability class

Housing (basic material) UL 94 HB

socket Ø 4 mm
AC/DC 1000 V
CAT III
20 A
100 mOhm
CE

grip claws: spring steel, socket: brass
nickel
PBT

-25 °C to +80 °C

UL 94 HB

socket Ø 4 mm
AC/DC 1000 V
CAT III
20 A
50 mOhm
CE

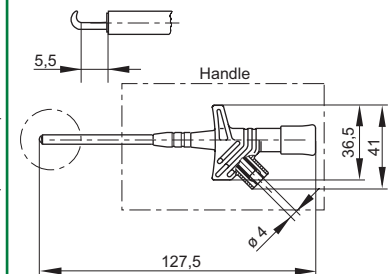
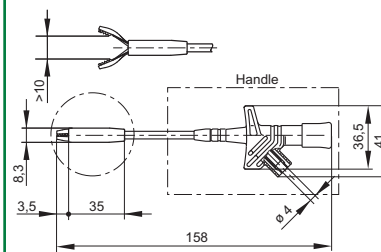
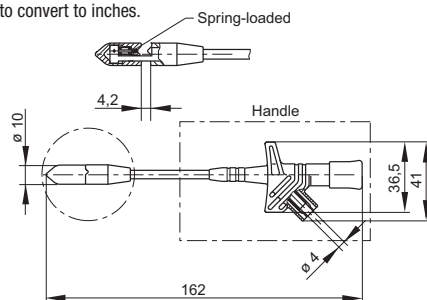
contact hook: brass, socket: brass
nickel
PBT

-25 °C to +80 °C

UL 94 HB

Drawing

Measurements are shown in millimeters.
Multiply by 0.03937 to convert to inches.



X-ON Electronics

Largest Supplier of Electrical and Electronic Components

Click to view similar products for [Test Probes](#) category:

Click to view products by [Altech](#) manufacturer:

Other Similar products are found below :

[6214](#) [6474](#) [815003](#) [923832-BK-B](#) [P-KIT-1](#) [KT-MS001](#) [925250-R](#) [923848-C](#) [973368101](#) [972318101](#) [972318100](#) [MXHQ87WJ3000](#) [PK2-5MM-102](#) [382254](#) [TAS90](#) [VL1735/45](#) [973368100](#) [972327100](#) [972327101](#) [973995100](#) [973995101](#) [CT3982B-120](#) [CT4386](#) [PP023-1](#) [PK1-5MM-125](#) [PK1-5MM-127](#) [PP026-1](#) [P6139B-PK10](#) [PQ215](#) [PQ219](#) [PQ218](#) [GE.3421](#) [GE.3121](#) [GE.1511](#) [GE.1521](#) [GE.2511](#) [HVP15B](#) [TT-SI7002](#) [4005](#) [4011](#) [4013](#) [4014](#) [4015](#) [4016](#) [4018](#) [P TK-100](#) [P TK-250/100](#) [UTH05](#) [402-IEC-RT](#) [402-IEC-SW](#)