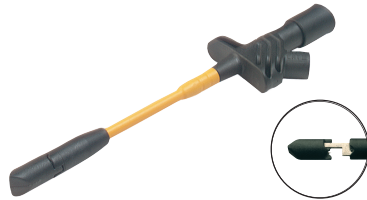


# Clamp-type Test Probe 4 mm system



## Type

### KLEPS 2700

Safety clamp-type test probe with split test clamp. The sprung stainless steel tip can contact insulated leads with cross-sections between 0.25 mm<sup>2</sup> and 1.5 mm<sup>2</sup> (3.5 mm diameter) without the need to strip them. 4 mm diameter brass socket connection.

Clamping range 3.5 mm  
Clamp type spring-loaded stainless steel tip

**PART NO. / Housing color**  
972307100 ●  
972307101 ●

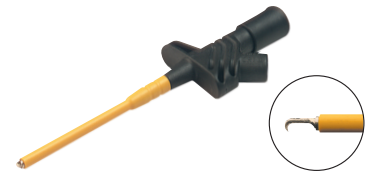


### KLEPS 2800

Safety clamp-type test probe with wide opening grip claws for contacting large measuring areas and leads with large cross-sections. 4 mm brass socket connection. Connects with safety measuring leads.

10 mm  
grip claws

972308100 ●  
972308101 ●



### KLEPS 2900

Safety clamp-type test probe with unsprung hook to ensure secure clamping of eyes, pins, wires and boards. 4 mm brass socket connection. Connects with safety measuring leads.

5.5 mm  
contact hook

972309100 ●  
972309101 ●

## Technical data

Type of termination socket Ø 4 mm  
Rated voltage AC/DC 1000 V  
Measurement cat. acc. to IEC61010 CAT III  
Rated current\* 10 A  
Contact resistance 100 mOhm  
Certificate CE

## Material Specifications

Contact material tip: stainless steel, socket: brass  
Contact surface material nickel  
Housing material PBT

## Environmental conditions

Temperature range -25 °C to +80 °C

## Inflammability class

Housing (basic material) UL 94 HB

socket Ø 4 mm  
AC/DC 1000 V  
CAT III  
20 A  
100 mOhm  
CE

grip claws: spring steel, socket: brass  
nickel  
PBT

-25 °C to +80 °C

UL 94 HB

socket Ø 4 mm  
AC/DC 1000 V  
CAT III  
20 A  
50 mOhm  
CE

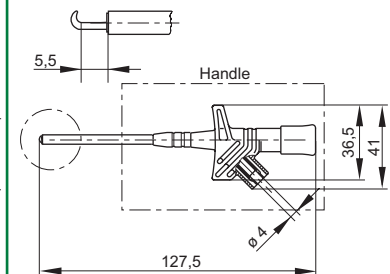
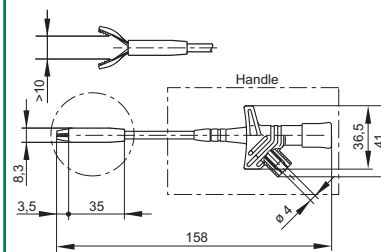
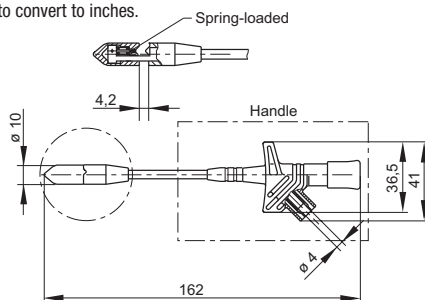
contact hook: brass, socket: brass  
nickel  
PBT

-25 °C to +80 °C

UL 94 HB

## Drawing

Measurements are shown in millimeters.  
Multiply by 0.03937 to convert to inches.



## X-ON Electronics

Largest Supplier of Electrical and Electronic Components

*Click to view similar products for [Test Probes](#) category:*

*Click to view products by [Altech](#) manufacturer:*

Other Similar products are found below :

[6214](#) [6265](#) [6474](#) [815003](#) [923832-BK-B](#) [P-KIT-1](#) [R941850000](#) [925250-R](#) [72923-2](#) [923848-C](#) [973368101](#) [972318101](#) [972318100](#)  
[MXHQ87WJ3000](#) [66.9115-23](#) [850182](#) [TAS90](#) [VL1735/45](#) [973368100](#) [972327100](#) [972327101](#) [975017700](#) [975018700](#) [973995100](#)  
[973995101](#) [100039-080-958](#) [CT3986B-120](#) [CT3987B-120](#) [CT3983B-120](#) [CT3979B-150](#) [CT3981B-120](#) [CT3985B-120](#) [402-IEC-RT](#) [402-](#)  
[IEC-SW](#) [404-IEC-RT](#) [AX-CP-01-SET](#) [AX-CP-05-B](#) [AX-CP-05-R](#) [464-IEC-NEEDLE13/0,6-RT](#) [464-IEC-NEEDLE13/0,6-SW](#) [464-IEC-RT](#)  
[464-IEC-SW](#) [00043](#) [404-IEC-SW](#) [00125](#) [1445](#) [MPS1RT](#) [0602 4592](#) [0602 4892](#) [0628 0020](#)