

Clamp-type Test Probe

0.64 mm system



Type

KLEPS FP 2B

Makes it possible to contact QFPIC s from 0.5 to 0.8 mm lead pitch. Supplied in pairs (yellow and green). The slim build of the clip make it possible to test QFPIC s with several clips simultaneously. Can be plugged with MKL- and MAL measuring leads.

Clamping range 0.5 - 0.8 mm
Clamp type Micro grip jaws

PART NO. / Housing color 974101188 ●●



KLEPS 064 PCH

The small weight and the compact design offer the possibility to use it at very small components. Can be plugged with MKL (...) and MAL (...) measuring leads.

1 mm
contact hook

974201100 ●
974201101 ●
974201102 ●
974201103 ●
974201104 ●
974201106 ●
974201107 ○

Technical data

Type of termination unsprung pin \varnothing 0.73 mm
Rated voltage 30 VAC / 60 VDC
Measurement cat. acc. to IEC61010 CAT I
Rated current*
Contact resistance

Material Specifications

Contact material spring steel

Contact surface material nickel
Housing material ABS

Environmental conditions

Temperature range 0 °C to +60 °C

Inflamability class

Housing (basic material)

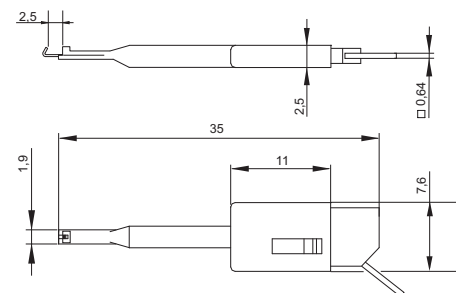
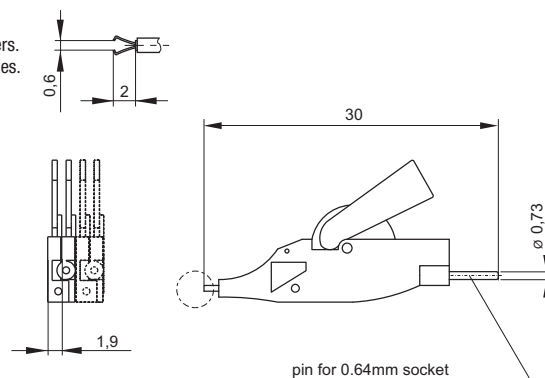
unsprung pin 0.64 mm
30 VAC / 60 VDC
CAT I

contact hook: copper-beryllium,
pin: phosphor bronze
gold

0 °C to +70 °C

Drawing

Measurements are shown in millimeters.
Multiply by 0.03937 to convert to inches.



X-ON Electronics

Largest Supplier of Electrical and Electronic Components

Click to view similar products for [Test Probes](#) category:

Click to view products by [Altech](#) manufacturer:

Other Similar products are found below :

[6214](#) [6474](#) [815003](#) [923832-BK-B](#) [P-KIT-1](#) [KT-MS001](#) [925250-R](#) [923848-C](#) [973368101](#) [972318101](#) [972318100](#) [MXHQ87WJ3000](#) [PK2-5MM-102](#) [382254](#) [TAS90](#) [VL1735/45](#) [973368100](#) [972327100](#) [972327101](#) [973995100](#) [973995101](#) [CT3982B-120](#) [CT4386](#) [PP023-1](#) [PK1-5MM-125](#) [PK1-5MM-127](#) [PP026-1](#) [P6139B-PK10](#) [PQ215](#) [PQ219](#) [PQ218](#) [GE.3421](#) [GE.3121](#) [GE.1511](#) [GE.1521](#) [GE.2511](#) [HVP15B](#) [TT-SI7002](#) [4005](#) [4011](#) [4013](#) [4014](#) [4015](#) [4016](#) [4018](#) [P TK-100](#) [P TK-250/100](#) [UTH05](#) [402-IEC-RT](#) [402-IEC-SW](#)