

**AC/DC - 2 WIRE VERSA-PROX STANDARD SERIES, LIMIT STYLE Polyamide (PA 6.6), Standard Housing 20-250V AC/DC, 400mA 2 LEDs for Operating Voltage & Output Energized**

- 17 rotatable sensing head positions
- Programmable NO/NC outputs
- Rugged Housing
- Snap-together construction
- Separable mounting base
- Carries  $\text{C}$  mark

- IEC (529) IP67 (NEMA 1, 3, 4, 6, 12, 13) Protection
- Short Circuit Protection
- Overload Protection
- Reverse Polarity Protection
- Wire Break Resistance
- Temperature Range: -25 to 70°C (-13 to 158°F)

Sensing Distance	Flush Mount	Non-Flush Mount
	20mm (.79 in.)	40mm (1.57 in.)
Cable or Connector Style Cat. No.	Screw Terminal	Screw Terminal
(Programmable NO/NC)	9873-0031	9873-0231
Voltage Range	20V-250V AC/DC	20V - 250V AC/DC
Operating Frequency	DC-60Hz	DC-60Hz
Output Current	400 mA	400 mA
Maximum Drop Across Sensor	≤5V	≤5V
Max. Leakage Current	≤2 mA	≤2 mA
Switching Frequency	15 Hz	15 Hz
Hysteresis	≤20%	≤20%
Temperature Drift	≤10%	≤10%
Repeatability	1.0mm (.04 in.)	2.0mm (.079in.)

**Metric/in. Conversion Table**

3.0 mm = .11 in.	41 mm = 1.61 in.
5.0 mm = .20 in.	60 mm = 2.36 in.
7.0 mm = .27 in.	121 mm = 4.76 in.

This table converts millimeters to inches in reference to the illustrations included on these pages

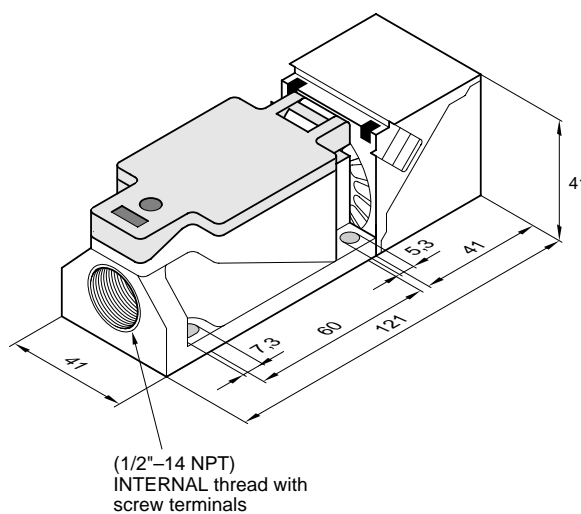
**Accessories**

Mounting Brackets – see Pages 114-115

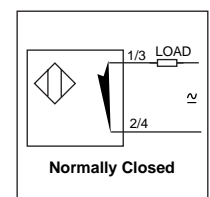
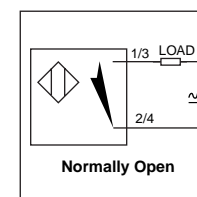
Note: Sensor dimensions in mm.

**Screw Terminals**

Screw terminals are located internally in housing for wire connections



**Wiring Diagrams**



## X-ON Electronics

Largest Supplier of Electrical and Electronic Components

*Click to view similar products for [Proximity Sensors](#) category:*

*Click to view products by [Altech](#) manufacturer:*

Other Similar products are found below :

[01.001.5653.1](#) [70.340.1028.0](#) [70.360.2428.0](#) [70.364.4828.0](#) [70.810.1053.0](#) [72.360.1628.0](#) [73.363.6428.0](#) [8027AL20NL2CPXX](#) [FYCC8E1-2](#)  
[9221350022](#) [922AA2W-A9P-L](#) [PLS2](#) [GL-12F-C2.5X10\(LOT3\)](#) [972AB2XM-A3N-L](#) [972AB3XM-A3P-L](#) [PS3251](#) [980659-1](#) [QT-12](#) [E2E2-](#)  
[X5M41-M4](#) [E2E-X14MD1-G](#) [E2E-X2D1-G](#) [E2EX2ME2N](#) [E2EX3D1SM1N](#) [E2E-X4MD1-G](#) [E2E-X5E1-5M-N](#) [E2E-X5Y2-N](#) [E2E-X7D1-](#)  
[M1J-T-0.3M-N](#) [E2FMX1R5D12M](#) [E2K-F10MC1](#) [5M](#) [EH-302](#) [EI3010TBOP](#) [EI5515NPAP](#) [MS605AU](#) [EP175-32000](#) [BSA-08-25-08](#)  
[IFRM04N35B1/L](#) [IFRM04P1513/S35L](#) [IFRM06P1703/S35L](#) [IFRM08P1501/S35L](#) [IFRM12N17G3/L](#) [IFRM12P17G3/L](#) [IFRM12P3502/L](#)  
[IFRM12P37G1/S14L](#) [ILFK12E9189/I02](#) [ILFK12E9193/I02](#) [IMM2582C](#) [OISN-013](#) [25.161.3253.0](#) [25.332.0653.1](#) [25.352.0653.0](#)