

## Lighting Accessories

### Door Limit Switch



| Part No. | Contact                           | Voltage Rating |
|----------|-----------------------------------|----------------|
| APL-DS   | NO / NC                           | 24-250 VAC/DC  |
| APL-SL   | Slide limit switch (Bar mounting) |                |

## Filter Fan Accessories

### Replacement Filter Mats



- Made of washable non-woven synthetic fibers
- Can be cleaned up to 10 times by washing or blowing dry
- Black or Grey Housing Color
- NEMA 12 or NEMA 3R Filter Class available
- Sold in kits of 6pcs

| Part No. | Filter Rating | Used with Filter Fan | Used with Exhaust Grill | Dimensions  |
|----------|---------------|----------------------|-------------------------|-------------|
| AFM-1012 | NEMA 12       | AFF-10xx             | AEG-1000                | 3.3"x3.3"   |
| AFM-2012 | NEMA 12       | AFF-20xx             | AEG-2000                | 4.6"x4.6"   |
| AFM-3012 | NEMA 12       | AFF-30xx             | AEG-3000                | 6.6"x6.6"   |
| AFM-4012 | NEMA 12       | AFF-40xx             | AEG-4000                | 8.5"x8.5"   |
| AFM-5012 | NEMA 12       | AFF-50xx             | AEG-5000                | 11.1"x11.1" |

# altechcorp.com

## Altech Corp.®

Quality Endorsed Company

ISO 9001:2008 CERTIFICATE

Altech Search

Google

Home Stock Check Distributors Information News Contact Rep/Dist Login Altech Mexico

WEB TOOLS

Product Crossings

Request for Quote

Sample Request

Catalog Request

PRODUCT MENU

Circuit Protection / Control

Connectors

Enclosures

European Spare Parts

Digital Panel Meters

Foot Switches

Interface Modules

Power Supplies

Power Semi-Conductors

Programmable Controllers

Push Buttons & Pilot Lights

Relays

Sensors

Terminal Blocks

Tower Lights

Timers

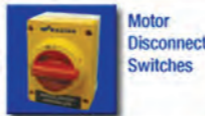
Wire & Cable Management

Home

New Products and Promotions

Serving the Automation & Control Industry Since 1984

Circuit Protection



Connectors



Foot Switches



Sensors



Enclosures



Modules & Relays



Power Supplies



Push Buttons



DIN Rail



Wire & Cable Management



Terminal Blocks



Eurostrips®



Distribution Blocks



Miscellaneous



# Altech Corp.®

Serving the Automation & Control Industry since 1984

Certified System  
ISO 9001  
QMS-SAI Global



## Altech Panel Accessories

Altech Corporation  
35 Royal Road  
Flemington, NJ 08822-6000  
P 908.806.9400 • F 908.806.9490  
www.altechcorp.com



Altech Corp.® 050-102013-5M  
Printed October 2013



# Altech® LED Panel Light APL-Series

- Energy efficient LED technology
- Long life
- Universal Supply Voltage 24-265V AC/DC
- Universal Mounting (magnet or screws)
- Daisy chain
- Maintenance-free
- On/off switch or motion sensor



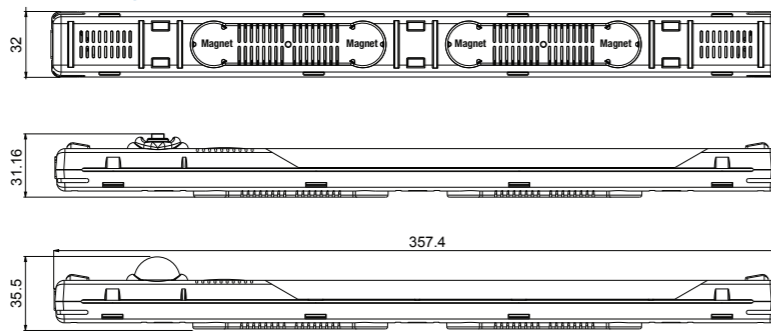
## Technical Details

|                         |  |
|-------------------------|--|
| Supply Voltage          | 24-265V AC/DC, 50/60Hz   |
| Power Consumption       | 4W   |
| Luminosity              | 290Lm at 120° 870Lm at 360° (equals 75W light bulb)                      |
| LED Type                | Angle of radiation 120°, light color: daylight, color temperature: 6500k |
| Life Expectancy         | 40,000h at 68°F (20°C)   |
| Connection              | Wieland Connector  |
| Housing                 | PC clear (TOP), PC ABS blue (base)                                       |
| Operating Temperature   | -22° to 140°F (-30°C to 60°C)  |
| Protection Type / Class | IP20   |

## Panel Lights

| Part No.     | Operating Voltage | Switch Type   | Weight         |
|--------------|-------------------|---------------|----------------|
| APL-M24-265V | 24-265V AC/DC     | motion switch | 140g (0.3lbs.) |
| APL-S24-265V | 24-265V AC/DC     | manual switch | 140g (0.3lbs.) |

## Drawings



## Power cable with female connector



| Part No. | Length | Color       |
|----------|--------|-------------|
| APL-PCW  | 3 m    | white cable |

## Female / Male Connectors



| Part No. | Connector Type | Color |
|----------|----------------|-------|
| APL-CF   | Female         | White |
| APL-CM   | Male           | White |

## Extension cable with 2 connectors for daisy chain



| Part No.   | Length | Color |
|------------|--------|-------|
| APL-ECW0.5 | 0.5 m  | white |
| APL-ECW1.0 | 1.0 m  | white |

# Altech® Panel Filters



- Mounts Quickly and Easily - no mounting hardware required
- Low external Profile
- UV & Heat resisting Housing material
- Black or Grey Housing Color
- Filtering Class: G3 according to EN779
- Filtration Efficiency: 85% (DIN24185)
- Filter Mat included



## Exhaust Grills

| Part No. Grey (RAL 7035) | Part No. Black (RAL 9005) | Dust Retention Capacity | Cutout Dimensions | Outer Dimensions |
|--------------------------|---------------------------|-------------------------|-------------------|------------------|
| AEG-1000G                | AEG-1000B                 | 1.96oz/ft²              | 3.62"x3.62"       | 4.2"x4.2"x0.9"   |
| AEG-2000G                | AEG-2000B                 | 1.96oz/ft²              | 4.92"x4.92"       | 5.9"x5.9"x1.1"   |
| AEG-3000G                | AEG-3000B                 | 1.96oz/ft²              | 6.97"x6.97"       | 8.0"x8.0"x1.2"   |
| AEG-4000G                | AEG-4000B                 | 1.96oz/ft²              | 8.78"x8.78"       | 9.8"x9.8"x1.3"   |
| AEG-5000G                | AEG-5000B                 | 1.96oz/ft²              | 11.46"x11.46"     | 12.8"x12.8"x1.3" |

## Filter Fans | 115VAC\*

| Part No. Grey (RAL 7035) | Part No. Black (RAL 7035) | Rated Voltage | Rated Current @ 50/60 Hz | Power Usage @ 50/60 Hz | Max. Airflow | Fan Noise | Static Pressure | Cutout Dimensions |
|--------------------------|---------------------------|---------------|--------------------------|------------------------|--------------|-----------|-----------------|-------------------|
| AFF-1010G-120VAC         | AFF-1010B-120VAC          | 115VAC        | 0.11/ 0.09A              | 9/ 7W                  | 7/ 9CFM      | 33dB(A)   | 0.13inH2O       | 3.62"x3.62"       |
| AFF-1020G-120VAC         | AFF-1020B-120VAC          | 115VAC        | 0.15/ 0.13A              | 12/ 10W                | 13/ 15CFM    | 42dB(A)   | 0.23inH2O       | 3.62"x3.62"       |
| AFF-2010G-120VAC         | AFF-2010B-120VAC          | 115VAC        | 0.20/ 0.18A              | 16/ 15W                | 26/ 29CFM    | 49dB(A)   | 0.33inH2O       | 4.92"x4.92"       |
| AFF-2020G-120VAC         | AFF-2020B-120VAC          | 115VAC        | 0.25/ 0.22A              | 19/ 17W                | 39/ 46CFM    | 44dB(A)   | 0.35inH2O       | 4.92"x4.92"       |
| AFF-3010G-120VAC         | AFF-3010B-120VAC          | 115VAC        | 0.21/ 0.20A              | 19/ 18W                | 59/ 65CFM    | 49dB(A)   | 0.24inH2O       | 6.97"x6.97"       |
| AFF-3020G-120VAC         | AFF-3020B-120VAC          | 115VAC        | 0.20/ 0.18A              | 16/ 15W                | 65/ 76CFM    | 44dB(A)   | 0.40inH2O       | 6.97"x6.97"       |
| AFF-4010G-120VAC         | AFF-4010B-120VAC          | 115VAC        | 0.21/ 0.21A              | 17/ 16W                | 62/ 70CFM    | 49dB(A)   | 0.23inH2O       | 8.78"x8.78"       |
| AFF-4020G-120VAC         | AFF-4020B-120VAC          | 115VAC        | 0.28/ 0.26A              | 31/ 26W                | 133/ 169CFM  | 55dB(A)   | 0.84inH2O       | 8.78"x8.78"       |
| AFF-5010G-120VAC         | AFF-5010B-120VAC          | 115VAC        | 0.68/ 0.73A              | 74/ 83W                | 306/ 359CFM  | 69dB(A)   | 0.78inH2O       | 11.46"x11.46"     |

\* 230VAC version available, please contact Altech for availability

## Filter Fans | 24VDC

| Part No. Grey (RAL 7035) | Part No. Black (RAL 7035) | Rated Voltage | Rated Current | Power Usage | Max. Airflow | Fan Noise | Static Pressure | Cutout Dimensions |
|--------------------------|---------------------------|---------------|---------------|-------------|--------------|-----------|-----------------|-------------------|
| AFF-1010G-24VDC          | AFF-1010B-24VDC           | 24VAC         | 0.09A         | 2W          | 9CFM         | 30dB(A)   | 0.11inH2O       | 3.62"x3.62"       |
| AFF-1020G-24VDC          | AFF-1020B-24VDC           | 24VAC         | 0.61A         | 15W         | 29CFM        | 59dB(A)   | 0.64inH2O       | 3.62"x3.62"       |
| AFF-2010G-24VDC          | AFF-2010B-24VDC           | 24VAC         | 0.31A         | 7W          | 27CFM        | 42dB(A)   | 0.23inH2O       | 4.92"x4.92"       |
| AFF-3010G-24VDC          | AFF-3010B-24VDC           | 24VAC         | 0.34A         | 8W          | 60CFM        | 42dB(A)   | 0.24inH2O       | 6.97"x6.97"       |
| AFF-4010G-24VDC          | AFF-4010B-24VDC           | 24VAC         | 0.32A         | 8W          | 82CFM        | 42dB(A)   | 0.25inH2O       | 6.97"x6.97"       |
| AFF-4020G-24VDC          | AFF-4020B-24VDC           | 24VAC         | 0.71A         | 17W         | 132CFM       | 58dB(A)   | 0.26inH2O       | 8.78"x8.78"       |

# Altech® Mechanical Thermostats



The APT Altech Mechanical Panel Thermostats are designed to control the air temperature inside of enclosures and control panels. They can be used for enclosure heaters, cooling equipment (e.g. filter fans), or signal devices.

- Adjustable Temperature Control
- Wide Adjustment Range
- Color Coded Dial (Red: Heating, Blue: Cooling)
- DIN Rail Mountable



The Heating version (red dial, NC) has closed contacts when the temperature is below the set point value and opens with rising temperature.

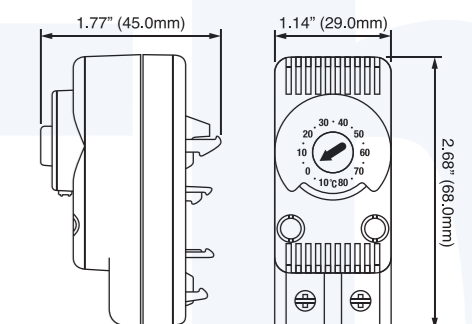
The Cooling version (blue dial, NO) has open contacts when the temperature is below the set point value and closes with rising temperature.

## Technical Details

|                             |   |
|-----------------------------|---|
| Rated Voltage               | 110 - 250 VAC   |
| Rated Current               | 10A   |
| Max. Rated Current          | 15A   |
| Hysteresis                  | +/-3K   |
| Differential                | -3°K NC version / +4°K NO version up to 5A / +7°K NC version > 5A |
| Lifetime                    | > 100,000 cycles  |
| Terminal Size Acceptability | 23 - 13 AWG (0.75 - 2.5mm²)                                       |
| Protection Level            | IP20  |
| Enclosure Material          | PA66, UL94V-0   |
| Weight                      | 1.9oz. (54g)  |

## Mechanical Thermostats

| Part No. | Function | Contact | Temperature Scale | Setting Range |
|----------|----------|---------|-------------------|---------------|
| APT-HNCF | Heating  | NC      | Fahrenheit        | 14 - 176°F    |
| APT-CNOF | Cooling  | NO      | Fahrenheit        | 14 - 176°F    |
| APT-HNCC | Heating  | NC      | Celsius           | -10 - 80°C    |
| APT-CNOC | Cooling  | NO      | Celsius           | -10 - 80°C    |



Thermostat Dimensions



# Altech® LED Panel Light APL-Series

- Energy efficient LED technology
- Long life
- Magnet or Screw mounting
- Daisy chain (up to 10 lights)
- Maintenance-free
- On/off switch or motion sensor
- Wide Voltage Range (AC or DC)
- Integrated power unit



## Technical Details

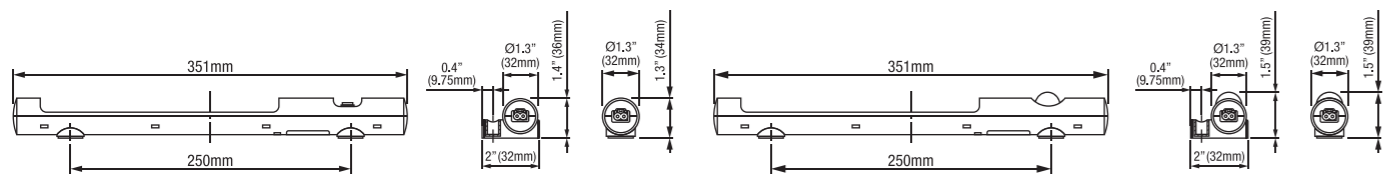
|                         |   |
|-------------------------|---|
| Power Consumption       | Max. 5W   |
| Luminosity              | 290Lm at 120° / 870Lm at 360° (equals 75W light bulb)                     |
| LED Type                | Angle of radiation 120°, light color: daylight, color temperature: 8,500k |
| Life Expectancy         | 60,000h at 68°F (20°C)  |
| Connection              | 2-pole connector with snap lock   |
| AC                      | Max. 2.5A / 240VAC, color: white connector                                |
| DC                      | Max. 2.5A / 60VDC, color: blue connector                                  |
| Housing                 | Plastic, transparent  |
| Operating Temperature   | -22° to 140°F (-30°C to 60°C)   |
| Operating Humidity      | Max. 80% RH (non-condensing)  |
| Protection Type / Class | IP20  |

## Attachment Method-Magnet

| Part No.     | Operating Voltage                             | Switch Type   | Weight       |
|--------------|---|---------------|--------------|
| APL-M120ACLS | 100-240VAC, 50/60Hz (min. 90VAC, max. 265VAC) | on/off switch | 7oz (.44lbs) |
| APL-M24DCLS  | 24-48VDC (min. 20VDC, max. 60VDC)             | on/off switch | 7oz (.44lbs) |
| APL-M120ACMS | 100-240VAC, 50/60Hz (min. 90VAC, max. 265VAC) | motion sensor | 7oz (.44lbs) |
| APL-M24DCMS  | 24-48VDC (min. 20VDC, max. 60VDC)             | motion sensor | 7oz (.44lbs) |

## Attachment Method-Screw

| Part No.     | Operating Voltage                             | Switch Type   | Weight       |
|--------------|---|---------------|--------------|
| APL-S120ACLS | 100-240VAC, 50/60Hz (min. 90VAC, max. 265VAC) | on/off switch | 7oz (.44lbs) |
| APL-S24DCLS  | 24-48VDC (min. 20VDC, max. 60VDC)             | on/off switch | 7oz (.44lbs) |
| APL-S120ACMS | 100-240VAC, 50/60Hz (min. 90VAC, max. 265VAC) | motion sensor | 7oz (.44lbs) |
| APL-S24DCMS  | 24-48VDC (min. 20VDC, max. 60VDC)             | motion sensor | 7oz (.44lbs) |



# Altech® Panel Filters



- Mounts Quickly and Easily - no mounting hardware required
- Low external Profile
- UV & Heat resisting Housing material
- Black or Grey Housing Color
- Filtering Class: G3 according to EN779
- Filtration Efficiency: 85% (DIN24185)
- Filter Mat included



## Exhaust Grills

| Part No. Grey (RAL7035) | Part No. Black (RAL9005) | Dust Retention Capacity | Cutout Dimensions | Outer Dimensions |
|-------------------------|--------------------------|-------------------------|-------------------|------------------|
| AEG-1000G               | AEG-1000B                | 1.96oz/ft²              | 3.62"x3.62"       | 4.2"x4.2"x0.9"   |
| AEG-2000G               | AEG-2000B                | 1.96oz/ft²              | 4.92"x4.92"       | 5.9"x5.9"x1.1"   |
| AEG-3000G               | AEG-3000B                | 1.96oz/ft²              | 6.97"x6.97"       | 8.0"x8.0"x1.2"   |
| AEG-4000G               | AEG-4000B                | 1.96oz/ft²              | 8.78"x8.78"       | 9.8"x9.8"x1.3"   |
| AEG-5000G               | AEG-5000B                | 1.96oz/ft²              | 11.46"x11.46"     | 12.8"x12.8"x1.3" |

## Filter Fans I 115VAC\*

| Part No. Grey (RAL7035) | Part No. Black (RAL7035) | Rated Voltage | Rated Current @ 50/60Hz | Power Usage @ 50/60Hz | Max. Airflow | Fan Noise | Static Pressure | Cutout Dimensions |
|-------------------------|--------------------------|---------------|-------------------------|-----------------------|--------------|-----------|-----------------|-------------------|
| AFF-1010G-120VAC        | AFF-1010B-120VAC         | 115VAC        | 0.11/ 0.09A             | 9/ 7W                 | 7/ 9CFM      | 33dB(A)   | 0.13inH2O       | 3.62"x3.62"       |
| AFF-1020G-120VAC        | AFF-1020B-120VAC         | 115VAC        | 0.15/ 0.13A             | 12/ 10W               | 13/ 15CFM    | 42dB(A)   | 0.23inH2O       | 3.62"x3.62"       |
| AFF-2010G-120VAC        | AFF-2010B-120VAC         | 115VAC        | 0.20/ 0.18A             | 16/ 15W               | 26/ 29CFM    | 49dB(A)   | 0.33inH2O       | 4.92"x4.92"       |
| AFF-2020G-120VAC        | AFF-2020B-120VAC         | 115VAC        | 0.25/ 0.22A             | 19/ 17W               | 39/ 46CFM    | 44dB(A)   | 0.35inH2O       | 4.92"x4.92"       |
| AFF-3010G-120VAC        | AFF-3010B-120VAC         | 115VAC        | 0.21/ 0.20A             | 19/ 18W               | 59/ 65CFM    | 49dB(A)   | 0.24inH2O       | 6.97"x6.97"       |
| AFF-3020G-120VAC        | AFF-3020B-120VAC         | 115VAC        | 0.20/ 0.18A             | 16/ 15W               | 65/ 76CFM    | 44dB(A)   | 0.40inH2O       | 6.97"x6.97"       |
| AFF-4010G-120VAC        | AFF-4010B-120VAC         | 115VAC        | 0.21/ 0.21A             | 17/ 16W               | 62/ 70CFM    | 49dB(A)   | 0.23inH2O       | 8.78"x8.78"       |
| AFF-4020G-120VAC        | AFF-4020B-120VAC         | 115VAC        | 0.28/ 0.26A             | 31/ 26W               | 133/ 169CFM  | 55dB(A)   | 0.84inH2O       | 8.78"x8.78"       |
| AFF-5010G-120VAC        | AFF-5010B-120VAC         | 115VAC        | 0.68/ 0.73A             | 74/ 83W               | 306/ 359CFM  | 69dB(A)   | 0.78inH2O       | 11.46"x11.46"     |

\*230VAC version available, please contact Altech for availability

## Filter Fans I 24VDC

| Part No. Grey (RAL7035) | Part No. Black (RAL7035) | Rated Voltage | Rated Current | Power Usage | Max. Airflow | Fan Noise | Static Pressure | Cutout Dimensions |
|-------------------------|--------------------------|---------------|---------------|-------------|--------------|-----------|-----------------|-------------------|
| AFF-1010G-24VDC         | AFF-1010B-24VDC          | 24VAC         | 0.09A         | 2W          | 9CFM         | 30dB(A)   | 0.11inH2O       | 3.62"x3.62"       |
| AFF-1020G-24VDC         | AFF-1020B-24VDC          | 24VAC         | 0.61A         | 15W         | 29CFM        | 59dB(A)   | 0.64inH2O       | 3.62"x3.62"       |
| AFF-2010G-24VDC         | AFF-2010B-24VDC          | 24VAC         | 0.31A         | 7W          | 27CFM        | 42dB(A)   | 0.23inH2O       | 4.92"x4.92"       |
| AFF-3010G-24VDC         | AFF-3010B-24VDC          | 24VAC         | 0.34A         | 8W          | 60CFM        | 42dB(A)   | 0.24inH2O       | 6.97"x6.97"       |
| AFF-4010G-24VDC         | AFF-4010B-24VDC          | 24VAC         | 0.32A         | 8W          | 82CFM        | 42dB(A)   | 0.25inH2O       | 6.97"x6.97"       |
| AFF-4020G-24VDC         | AFF-4020B-24VDC          | 24VAC         | 0.71A         | 17W         | 132CFM       | 58dB(A)   | 0.26inH2O       | 8.78"x8.78"       |

# Altech® Mechanical Thermostats



The APT Altech Mechanical Panel Thermostats are designed to control the air temperature inside of enclosures and control panels. They can be used for enclosure heaters, cooling equipment (e.g. filter fans), or signal devices.

- Adjustable Temperature Control
- Wide Adjustment Range
- Color Coded Dial (Red: Heating, Blue: Cooling)
- DIN Rail Mountable



The Heating version (red dial, NC) has closed contacts when the temperature is below the set point value and opens with rising temperature.

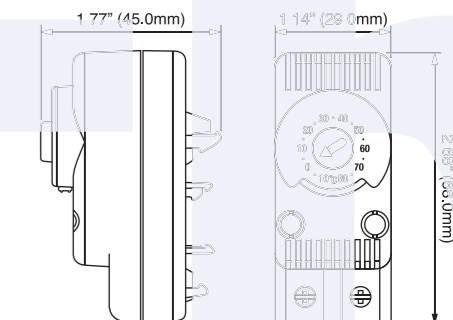
The Cooling version (blue dial, NO) has open contacts when the temperature is below the set point value and closes with rising temperature.

## Technical Details

|                             |   |
|-----------------------------|---|
| Rated Voltage               | 110 - 250 VAC   |
| Rated Current               | 10A   |
| Max. Rated Current          | 15A   |
| Hysteresis                  | +/-3K   |
| Differential                | -3°K NC version / +4°K NO version up to 5A / +7°K NC version > 5A |
| Lifetime                    | > 100,000 cycles  |
| Terminal Size Acceptability | 23 - 13 AWG (0.75 - 2.5mm²)                                       |
| Protection Level            | IP20  |
| Enclosure Material          | PA66, UL94V-0   |
| Weight                      | 1.9oz. (54g)  |

## Mechanical Thermostats

| Part No. | Function | Contact | Temperature Scale | Setting Range |
|----------|----------|---------|-------------------|---------------|
| APT-HNCF | Heating  | NC      | Fahrenheit        | 14 - 176°F    |
| APT-CNCF | Cooling  | NO      | Fahrenheit        | 14 - 176°F    |
| APT-HNCC | Heating  | NC      | Celsius           | -10 - 80°C    |
| APT-CNCC | Cooling  | NO      | Celsius           | -10 - 80°C    |



Thermostat Dimensions



# Altech® LED Panel Light APL-Series

- Energy efficient LED technology
- Long life
- Magnet or Screw mounting
- Daisy chain (up to 10 lights)
- Maintenance-free
- On/off switch or motion sensor
- Wide Voltage Range (AC or DC)
- Integrated power unit



## Technical Details

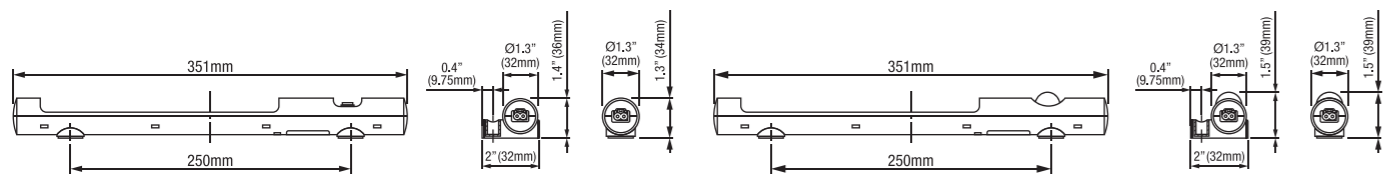
|                         |   |
|-------------------------|---|
| Power Consumption       | Max. 5W   |
| Luminosity              | 290Lm at 120° / 870Lm at 360° (equals 75W light bulb)                     |
| LED Type                | Angle of radiation 120°, light color: daylight, color temperature: 8,500k |
| Life Expectancy         | 60,000h at 68°F (20°C)  |
| Connection              | 2-pole connector with snap lock   |
| AC                      | Max. 2.5A / 240VAC, color: white connector                                |
| DC                      | Max. 2.5A / 60VDC, color: blue connector                                  |
| Housing                 | Plastic, transparent  |
| Operating Temperature   | -22° to 140°F (-30°C to 60°C)   |
| Operating Humidity      | Max. 80% RH (non-condensing)  |
| Protection Type / Class | IP20  |

## Attachment Method-Magnet

| Part No.     | Operating Voltage                             | Switch Type   | Weight       |
|--------------|---|---------------|--------------|
| APL-M120ACLS | 100-240VAC, 50/60Hz (min. 90VAC, max. 265VAC) | on/off switch | 7oz (.44lbs) |
| APL-M24DCLS  | 24-48VDC (min. 20VDC, max. 60VDC)             | on/off switch | 7oz (.44lbs) |
| APL-M120ACMS | 100-240VAC, 50/60Hz (min. 90VAC, max. 265VAC) | motion sensor | 7oz (.44lbs) |
| APL-M24DCMS  | 24-48VDC (min. 20VDC, max. 60VDC)             | motion sensor | 7oz (.44lbs) |

## Attachment Method-Screw

| Part No.     | Operating Voltage                             | Switch Type   | Weight       |
|--------------|---|---------------|--------------|
| APL-S120ACLS | 100-240VAC, 50/60Hz (min. 90VAC, max. 265VAC) | on/off switch | 7oz (.44lbs) |
| APL-S24DCLS  | 24-48VDC (min. 20VDC, max. 60VDC)             | on/off switch | 7oz (.44lbs) |
| APL-S120ACMS | 100-240VAC, 50/60Hz (min. 90VAC, max. 265VAC) | motion sensor | 7oz (.44lbs) |
| APL-S24DCMS  | 24-48VDC (min. 20VDC, max. 60VDC)             | motion sensor | 7oz (.44lbs) |



# Altech® Panel Filters



- Mounts Quickly and Easily - no mounting hardware required
- Low external Profile
- UV & Heat resisting Housing material
- Black or Grey Housing Color
- Filtering Class: G3 according to EN779
- Filtration Efficiency: 85% (DIN24185)
- Filter Mat included



## Exhaust Grills

| Part No. Grey (RAL7035) | Part No. Black (RAL9005) | Dust Retention Capacity | Cutout Dimensions | Outer Dimensions |
|-------------------------|--------------------------|-------------------------|-------------------|------------------|
| AEG-1000G               | AEG-1000B                | 1.96oz/ft²              | 3.62"x3.62"       | 4.2"x4.2"x0.9"   |
| AEG-2000G               | AEG-2000B                | 1.96oz/ft²              | 4.92"x4.92"       | 5.9"x5.9"x1.1"   |
| AEG-3000G               | AEG-3000B                | 1.96oz/ft²              | 6.97"x6.97"       | 8.0"x8.0"x1.2"   |
| AEG-4000G               | AEG-4000B                | 1.96oz/ft²              | 8.78"x8.78"       | 9.8"x9.8"x1.3"   |
| AEG-5000G               | AEG-5000B                | 1.96oz/ft²              | 11.46"x11.46"     | 12.8"x12.8"x1.3" |

## Filter Fans I 115VAC\*

| Part No. Grey (RAL7035) | Part No. Black (RAL7035) | Rated Voltage | Rated Current @ 50/60Hz | Power Usage @ 50/60Hz | Max. Airflow | Fan Noise | Static Pressure | Cutout Dimensions |
|-------------------------|--------------------------|---------------|-------------------------|-----------------------|--------------|-----------|-----------------|-------------------|
| AFF-1010G-120VAC        | AFF-1010B-120VAC         | 115VAC        | 0.11/ 0.09A             | 9/ 7W                 | 7/ 9CFM      | 33dB(A)   | 0.13inH2O       | 3.62"x3.62"       |
| AFF-1020G-120VAC        | AFF-1020B-120VAC         | 115VAC        | 0.15/ 0.13A             | 12/ 10W               | 13/ 15CFM    | 42dB(A)   | 0.23inH2O       | 3.62"x3.62"       |
| AFF-2010G-120VAC        | AFF-2010B-120VAC         | 115VAC        | 0.20/ 0.18A             | 16/ 15W               | 26/ 29CFM    | 49dB(A)   | 0.33inH2O       | 4.92"x4.92"       |
| AFF-2020G-120VAC        | AFF-2020B-120VAC         | 115VAC        | 0.25/ 0.22A             | 19/ 17W               | 39/ 46CFM    | 44dB(A)   | 0.35inH2O       | 4.92"x4.92"       |
| AFF-3010G-120VAC        | AFF-3010B-120VAC         | 115VAC        | 0.21/ 0.20A             | 19/ 18W               | 59/ 65CFM    | 49dB(A)   | 0.24inH2O       | 6.97"x6.97"       |
| AFF-3020G-120VAC        | AFF-3020B-120VAC         | 115VAC        | 0.20/ 0.18A             | 16/ 15W               | 65/ 76CFM    | 44dB(A)   | 0.40inH2O       | 6.97"x6.97"       |
| AFF-4010G-120VAC        | AFF-4010B-120VAC         | 115VAC        | 0.21/ 0.21A             | 17/ 16W               | 62/ 70CFM    | 49dB(A)   | 0.23inH2O       | 8.78"x8.78"       |
| AFF-4020G-120VAC        | AFF-4020B-120VAC         | 115VAC        | 0.28/ 0.26A             | 31/ 26W               | 133/ 169CFM  | 55dB(A)   | 0.84inH2O       | 8.78"x8.78"       |
| AFF-5010G-120VAC        | AFF-5010B-120VAC         | 115VAC        | 0.68/ 0.73A             | 74/ 83W               | 306/ 359CFM  | 69dB(A)   | 0.78inH2O       | 11.46"x11.46"     |

\*230VAC version available, please contact Altech for availability

## Filter Fans I 24VDC

| Part No. Grey (RAL7035) | Part No. Black (RAL7035) | Rated Voltage | Rated Current | Power Usage | Max. Airflow | Fan Noise | Static Pressure | Cutout Dimensions |
|-------------------------|--------------------------|---------------|---------------|-------------|--------------|-----------|-----------------|-------------------|
| AFF-1010G-24VDC         | AFF-1010B-24VDC          | 24VAC         | 0.09A         | 2W          | 9CFM         | 30dB(A)   | 0.11inH2O       | 3.62"x3.62"       |
| AFF-1020G-24VDC         | AFF-1020B-24VDC          | 24VAC         | 0.61A         | 15W         | 29CFM        | 59dB(A)   | 0.64inH2O       | 3.62"x3.62"       |
| AFF-2010G-24VDC         | AFF-2010B-24VDC          | 24VAC         | 0.31A         | 7W          | 27CFM        | 42dB(A)   | 0.23inH2O       | 4.92"x4.92"       |
| AFF-3010G-24VDC         | AFF-3010B-24VDC          | 24VAC         | 0.34A         | 8W          | 60CFM        | 42dB(A)   | 0.24inH2O       | 6.97"x6.97"       |
| AFF-4010G-24VDC         | AFF-4010B-24VDC          | 24VAC         | 0.32A         | 8W          | 82CFM        | 42dB(A)   | 0.25inH2O       | 6.97"x6.97"       |
| AFF-4020G-24VDC         | AFF-4020B-24VDC          | 24VAC         | 0.71A         | 17W         | 132CFM       | 58dB(A)   | 0.26inH2O       | 8.78"x8.78"       |

# Altech® Mechanical Thermostats



The APT Altech Mechanical Panel Thermostats are designed to control the air temperature inside of enclosures and control panels. They can be used for enclosure heaters, cooling equipment (e.g. filter fans), or signal devices.

- Adjustable Temperature Control
- Wide Adjustment Range
- Color Coded Dial (Red: Heating, Blue: Cooling)
- DIN Rail Mountable



The Heating version (red dial, NC) has closed contacts when the temperature is below the set point value and opens with rising temperature.

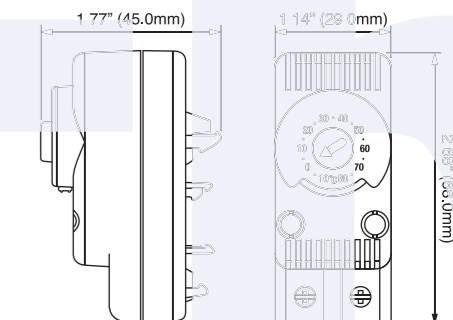
The Cooling version (blue dial, NO) has open contacts when the temperature is below the set point value and closes with rising temperature.

## Technical Details

|                             |   |
|-----------------------------|---|
| Rated Voltage               | 110 - 250 VAC   |
| Rated Current               | 10A   |
| Max. Rated Current          | 15A   |
| Hysteresis                  | +/-3K   |
| Differential                | -3°K NC version / +4°K NO version up to 5A / +7°K NC version > 5A |
| Lifetime                    | > 100,000 cycles  |
| Terminal Size Acceptability | 23 - 13 AWG (0.75 - 2.5mm²)                                       |
| Protection Level            | IP20  |
| Enclosure Material          | PA66, UL94V-0   |
| Weight                      | 1.9oz. (54g)  |

## Mechanical Thermostats

| Part No. | Function | Contact | Temperature Scale | Setting Range |
|----------|----------|---------|-------------------|---------------|
| APT-HNCF | Heating  | NC      | Fahrenheit        | 14 - 176°F    |
| APT-CNCF | Cooling  | NO      | Fahrenheit        | 14 - 176°F    |
| APT-HNCC | Heating  | NC      | Celsius           | -10 - 80°C    |
| APT-CNCC | Cooling  | NO      | Celsius           | -10 - 80°C    |



Thermostat Dimensions



## Lighting Accessories

### Power cable with female connector



| Part No. | Length  | Volt. Type | Color                             |
|----------|---------|------------|-----------------------------------|
| APL-PCAC | 6.5 ft. | AC         | Connector: white;<br>Cable: white |
| APL-PCDC | 6.5 ft. | DC         | Connector: blue;<br>Cable: white  |

### Extension cable with 2 connectors for daisy chain



| Part No. | Length  | Volt. Type | Color                             |
|----------|---------|------------|-----------------------------------|
| APL-ECAC | 3.3 ft. | AC         | Connector: white;<br>Cable: white |
| APL-ECDC | 3.3 ft. | DC         | Connector: blue;<br>Cable: white  |

### Female / Male Connectors



| Part No. | Connector Type | Volt. Type | Color |
|----------|----------------|------------|-------|
| APL-FAC  | Female         | AC         | White |
| APL-MAC  | Male           | AC         | White |
| APL-FDC  | Female         | DC         | Blue  |
| APL-MDC  | Male           | DC         | Blue  |

### Door Limit Switch



| Part No. | Contact                           | Voltage Rating |
|----------|-----------------------------------|----------------|
| APL-DS   | NO / NC                           | 24-250 VAC/DC  |
| APL-SL   | Slide limit switch (Bar mounting) |                |

## Filter Fan Accessories

### Replacement Filter Mats



- Made of washable non-woven synthetic fibers
- Can be cleaned up to 10 times by washing or blowing dry
- Black or Grey Housing Color
- NEMA 12 or NEMA 3R Filter Class available
- Sold in kits of 6pcs

| Part No. | Filter Rating | Used with Filter Fan | Used with Exhaust Grill | Dimensions  |
|----------|---------------|----------------------|-------------------------|-------------|
| AFM-1012 | NEMA12        | AFF-10xx             | AEG-1000                | 3.3"x3.3"   |
| AFM-2012 | NEMA12        | AFF-20xx             | AEG-2000                | 4.6"x4.6"   |
| AFM-3012 | NEMA12        | AFF-30xx             | AEG-3000                | 6.6"x6.6"   |
| AFM-4012 | NEMA12        | AFF-40xx             | AEG-4000                | 8.5"x8.5"   |
| AFM-5012 | NEMA12        | AFF-50xx             | AEG-5000                | 11.1"x11.1" |

# altechcorp.com

## Altech Corp.

Quality Endorsed Company

ISO 9001:2008 CERTIFICATE

Altech Search

Google

Home Stock Check Distributors Information News Contact Rep/Dist Login Altech Mexico

WEB TOOLS

Product Crossings

Request for Quote

Sample Request

Catalog Request

PRODUCT MENU

Circuit Protection / Control

Connectors

Enclosures

European Spare Parts

Digital Panel Meters

Foot Switches

Interface Modules

Power Supplies

Power Semi-Conductors

Programmable Controllers

Push Buttons & Pilot Lights

Relays

Sensors

Terminal Blocks

Tower Lights

Timers

Wire & Cable Management

Home

New Products and Promotions

Serving the Automation & Control Industry Since 1984

Circuit Protection



Connectors



Foot Switches



Sensors



Enclosures



Modules & Relays



Power Supplies



Push Buttons



DIN Rail



Wire & Cable Management



Terminal Blocks



Eurostrips®



Distribution Blocks



Miscellaneous



Altech Corporation  
35 Royal Road  
Flemington, NJ 08822-6000  
P 908.806.9400 • F 908.806.9490  
www.altechcorp.com



Altech Corp. © 050-102013-5M  
Printed October 2013

# Altech Corp.®

Serving the Automation & Control Industry since 1984

Certified System  
ISO 9001  
QMS-SAI Global



Altech Panel Accessories



## Lighting Accessories

### Power cable with female connector



| Part No. | Length  | Volt. Type | Color                             |
|----------|---------|------------|-----------------------------------|
| APL-PCAC | 6.5 ft. | AC         | Connector: white;<br>Cable: white |
| APL-PCDC | 6.5 ft. | DC         | Connector: blue;<br>Cable: white  |

### Extension cable with 2 connectors for daisy chain



| Part No. | Length  | Volt. Type | Color                             |
|----------|---------|------------|-----------------------------------|
| APL-ECAC | 3.3 ft. | AC         | Connector: white;<br>Cable: white |
| APL-ECDC | 3.3 ft. | DC         | Connector: blue;<br>Cable: white  |

### Female / Male Connectors



| Part No. | Connector Type | Volt. Type | Color |
|----------|----------------|------------|-------|
| APL-FAC  | Female         | AC         | White |
| APL-MAC  | Male           | AC         | White |
| APL-FDC  | Female         | DC         | Blue  |
| APL-MDC  | Male           | DC         | Blue  |

### Door Limit Switch



| Part No. | Contact                           | Voltage Rating |
|----------|-----------------------------------|----------------|
| APL-DS   | NO / NC                           | 24-250 VAC/DC  |
| APL-SL   | Slide limit switch (Bar mounting) |                |

## Filter Fan Accessories

### Replacement Filter Mats



- Made of washable non-woven synthetic fibers
- Can be cleaned up to 10 times by washing or blowing dry
- Black or Grey Housing Color
- NEMA 12 or NEMA 3R Filter Class available
- Sold in kits of 6pcs

| Part No. | Filter Rating | Used with Filter Fan | Used with Exhaust Grill | Dimensions  |
|----------|---------------|----------------------|-------------------------|-------------|
| AFM-1012 | NEMA12        | AFF-10xx             | AEG-1000                | 3.3"x3.3"   |
| AFM-2012 | NEMA12        | AFF-20xx             | AEG-2000                | 4.6"x4.6"   |
| AFM-3012 | NEMA12        | AFF-30xx             | AEG-3000                | 6.6"x6.6"   |
| AFM-4012 | NEMA12        | AFF-40xx             | AEG-4000                | 8.5"x8.5"   |
| AFM-5012 | NEMA12        | AFF-50xx             | AEG-5000                | 11.1"x11.1" |

# altechcorp.com

## Altech Corp.

Quality Endorsed Company

ISO 9001:2008 CERTIFICATE

Altech Search

Google

Home Stock Check Distributors Information News Contact Rep/Dist Login Altech Mexico

WEB TOOLS

Product Crossings

Request for Quote

Sample Request

Catalog Request

PRODUCT MENU

Circuit Protection / Control

Connectors

Enclosures

European Spare Parts

Digital Panel Meters

Foot Switches

Interface Modules

Power Supplies

Power Semi-Conductors

Programmable Controllers

Push Buttons & Pilot Lights

Relays

Sensors

Terminal Blocks

Tower Lights

Timers

Wire & Cable Management

Home

New Products and Promotions

Serving the Automation & Control Industry Since 1984

Circuit Protection



Connectors



Foot Switches



Sensors



Enclosures



Modules & Relays



Power Supplies



Push Buttons



DIN Rail



Wire & Cable Management



Terminal Blocks



Eurostrips®



Distribution Blocks



Miscellaneous



Altech Corporation  
35 Royal Road  
Flemington, NJ 08822-6000  
P 908.806.9400 • F 908.806.9490  
www.altechcorp.com



Altech Corp. © 050-102013-5M  
Printed October 2013

# Altech Corp.®

Serving the Automation & Control Industry since 1984

Certified System  
ISO 9001  
QMS-SAI Global



Altech Panel Accessories



## X-ON Electronics

Largest Supplier of Electrical and Electronic Components

*Click to view similar products for [Fan Accessories](#) category:*

*Click to view products by [Altech](#) manufacturer:*

Other Similar products are found below :

[LZ31](#) [LZ32P-1](#) [63070-2-4013](#) [64442-1-7612](#) [71882-2-4053](#) [73816-2-3634](#) [854589-1](#) [95778-1-5171](#) [99485901](#) [1247-4-6254](#) [RF119](#) [2151-4-7320](#) [27453.32262](#) [95779-1-5171](#) [9614-2-4013](#) [99485906](#) [F92-B](#) [FG92-W2](#) [2170-4-7320](#) [27453.32241](#) [R88ACPU001M1](#) [R88ACPU001M2](#) [31570-2-4013](#) [LZ215](#) [LZ22-2](#) [LZ24-1](#) [LZ24B](#) [LZ30-9](#) [450-20-0021](#) [450-20-0025](#) [525-00-0009](#) [420-05-0276](#) [450-20-0017](#) [450-20-0020](#) [04.846.1353.0](#) [04.846.1453.0](#) [055032](#) [08121](#) [08188](#) [08195](#) [08196](#) [09576-2-4013](#) [54476-2-4013](#) [71883-2-4053](#) [52545-2-4037](#) [63071-2-4013](#) [52544-2-4037](#) [64445-1-7612](#) [66786-4-7320](#) [88601-2-2929](#)