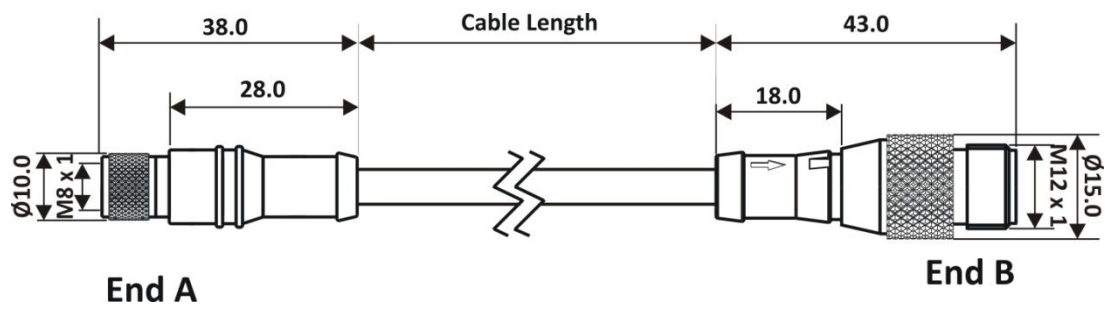
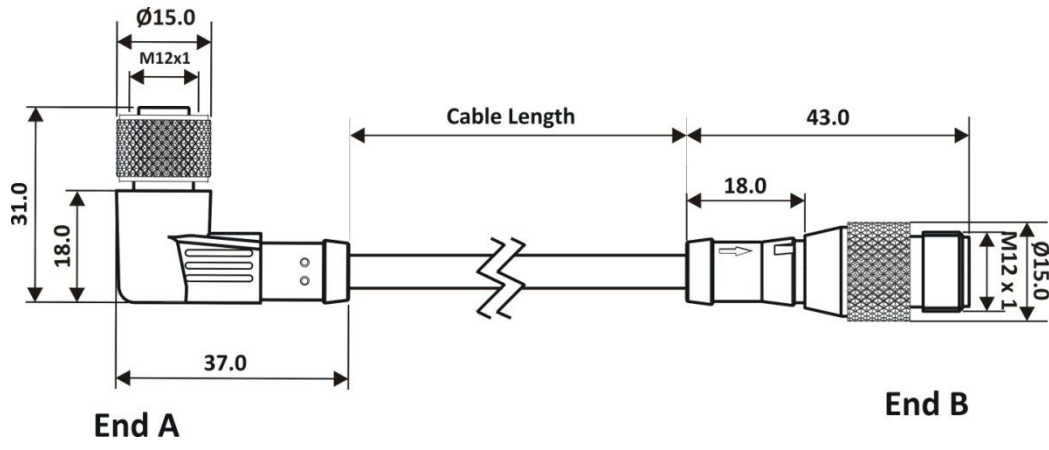
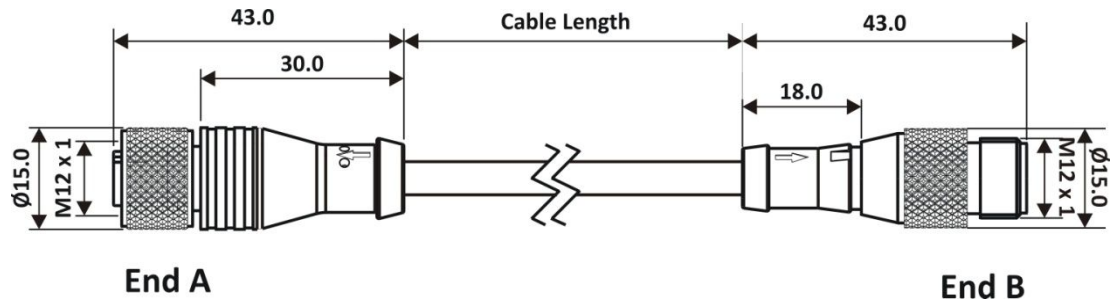


Item No.	TSP0000009D	Date	01.01.2017
		Revision	00
Description	Dual Connectors, Pre-wired, Male/Female, A-Coding, Straight and Right Angle Jacket	Page	1 of 4



Type Approved  
Safety  
Regular Production  
Surveillance



www.tuv.com  
ID 111210483



Specifications are subject to change without notice.

Item No.	TSP0000009D	Date	01.01.2017
		Revision	00
Description	Dual Connectors, Pre-wired, Male/Female, A-Coding, Straight and Right Angle Jacket	Page	2 of 4

**Table-1**

**M12x1 User-wired Plug/Socket, A-coding**

No. of Poles/Wire	Length m <sup>1)</sup>	Connections	Conductor	End A-End B Connector	End A-End B Connector Gender	End A-End B Connector Orientation	Katlux Item No.
4/3	2	1, 3, 4	0.34 <sup>2</sup> mm	M12-M12	Female-Male	Straight-Straight	CDF12S4-M12S3-02BP34
8/8	2	1-8	0.25 <sup>2</sup> mm	M12-M12	Female-Male	Straight-Straight	CDF12S8-M12S8-02BPVC
4/3	2	1, 3, 4	0.34 <sup>2</sup> mm	M12-M12	Female-Male	Angled-Straight	CDF12R4-M12S3-02BP34
4/4	2	1-4	0.34 <sup>2</sup> mm	M12-M12	Female-Male	Angled-Straight	CDF12R4-M12S4-02BP34
4/4	2	1-4	0.34 <sup>2</sup> mm	M12-M12	Female-Male	Angled <sup>4)</sup> -Straight	CDF12R4-M12S4-02BP34-2LED
4/4	2	1-4	0.34 <sup>2</sup> mm	M12-M12	Female-Male	Angled <sup>5)</sup> -Straight	CDF12R4-M12S4-02BP34-3LED
4/4	2	1-4	0.34 <sup>2</sup> mm	M12-M12	Female-Male	Straight-Straight	CDF12S4-M12S4-02BP34
8/8	2	1-8	0.25 <sup>2</sup> mm	M12-M12	Female-Male	Angled-Straight	CDF12R8-M12S8-02BPVC
4/4	2	1-4	0.34 <sup>2</sup> mm	M12-M12	Female-Male	Angled-Straight	CDF12R4-M12S4-02BPUR <sup>3)</sup>
4/4	5	1-4	0.34 <sup>2</sup> mm	M12-M12	Female-Male	Angled-Straight	CDF12R4-M12S4-05BPUR <sup>3)</sup>
5/5	2	1-5	0.34 <sup>2</sup> mm	M12-M12	Female-Male	Angled-Straight	CDF12R5-M12S5-02BP34
4/4	2	1-4	0.75 <sup>2</sup> mm	M12-M12	Female-Male	Straight-Straight	CDF12S4-M12S4-02BP75
4/4	5	1-4	0.75 <sup>2</sup> mm	M12-M12	Female-Male	Straight-Straight	CDF12S4-M12S4-05BP75
5/5	2	1-5	0.34 <sup>2</sup> mm	M12-M12	Female-Male	Straight--Straight	CDF12S5-M12S5-02BP34
5/5	5	1-5	0.34 <sup>2</sup> mm	M12-M12	Female-Male	Straight--Straight	CDF12S5-M12S5-05BP34
5/5	2	1-5	0.34 <sup>2</sup> mm	M12-M12	Female-Female	Straight--Straight	CDF12S5-F12S5-02BPVC
4/4	0.2	1-4	0.34 <sup>2</sup> mm	M8-M12	Female-Male	Straight-Straight	CDF08S4-M12S4-0.2BPVC
5/5	2.5	1-5	0.34 <sup>2</sup> mm	M12-M12	Female-Male	Straight--Straight	CDF12S5-M12S5-2.5BPUR-S <sup>2)3)</sup>
5/5	3.5	1-5	0.34 <sup>2</sup> mm	M12-M12	Female-Male	Straight--Straight	CDF12S5-M12S5-3.5BPUR-S <sup>2)3)</sup>
4/4	5	1-4	0.34 <sup>2</sup> mm	M12-M12	Female-Male	Straight-Angled	CDF12S4-M12R4-05BPUR <sup>3)</sup>

- 1) Fixed length with dual housing.
- 2) Shield on the knurl nut.
- 3) Cable sheath material PUR.
- 4) Orange jacket with 2 LED PNP.
- 5) Orange jacket with 3 LED PNP.



**Table-2**



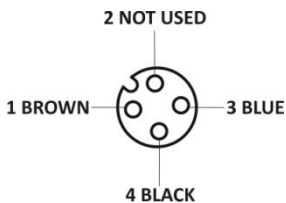
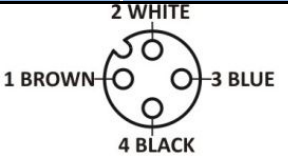
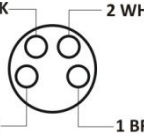
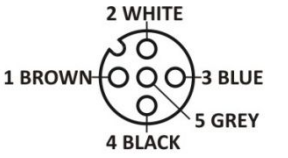
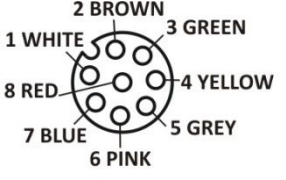
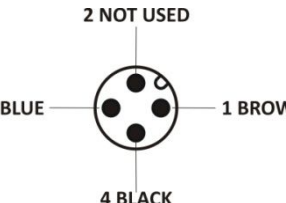
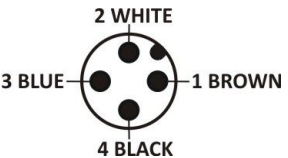
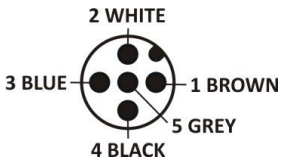
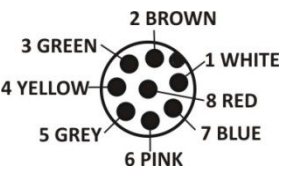
Specifications are subject to change without notice.

Item No.	TSP0000009D	Date	01.01.2017
		Revision	00
Description	Dual Connectors, Pre-wired, Male/Female, A-Coding, Straight and Right Angle Jacket	Page	3 of 4

**Connection details**

Contact / Pole	Pin / Colour (Continuously)	Contact / Pole	Pin / Colour (Continuously)	Contact / Pole	Pin / Colour (Continuously)	Contact / Pole	Pin / Colour (Continuously)
1	1 / Brown	1	1 / Brown	1	1 / Brown	1	1 / White
3	3 / Blue	2	2 / White	2	2 / White	2	2 / Brown
4	4 / Black	3	3 / Blue	3	3 / Blue	3	3 / Green
		4	4 / Black	4	4 / Black	4	4 / Yellow
				5	5 / Grey	5	5 / Grey
						6	6 / Pink
						7	7 / Blue
						8	8 / Red

 <p>M12 Female</p>	 <p>M12 Female</p>  <p>M8 Female</p>	 <p>M12 Female</p>	 <p>M12 Female</p>
 <p>M12 Male</p>	 <p>M12 Male</p>	 <p>M12 Male</p>	 <p>M12 Male</p>

**Table – 4**

**Cable length tolerance**

≤0.3 m	+25 mm -0 mm
>0.3 m – 1.5 m	+50 mm -0 mm
>1.5 m – 3.0 m	+100 mm -0 mm
>3.0 m – 7.5 m	+150 mm -0 mm
>7.5 m	+5% -0%



Type Approved  
Safety  
Regular Production  
Surveillance



www.tuv.com  
ID 1111210483



Specifications are subject to change without notice.

Item No.	TSP0000009D	Date	01.01.2017
		Revision	00
Description	Dual Connectors, Pre-wired, Male/Female, A-Coding, Straight and Right Angle Jacket	Page	4 of 4

Execution	IEC / EN	
Locking	Screw with internal threads M12x1 and sealing (Neoprene) Locking nut material: Brass (CuZn), Nickel Plated or Zinc die-casted, Nickel Plated	
Jacket	PU (Polyurethane), Black colour standard	
Plug/Socket pin carrier	Nylon or PA (Polyamide)	
Encoding	A - Coding	
Pole/Cores	See Tables on Page 1 to 6	
Cable	3x0.25mm <sup>2</sup> PVC Shielded/Unshielded 3x0.34mm <sup>2</sup> PVC Unshielded 3x0.34mm <sup>2</sup> PUR Shielded/Unshielded 4x0.25mm <sup>2</sup> PVC Shielded/Unshielded 4x0.34mm <sup>2</sup> PVC Shielded/Unshielded 4x0.34mm <sup>2</sup> PUR Unshielded 5x0.34mm <sup>2</sup> PVC Shielded/Unshielded 5x0.34mm <sup>2</sup> PUR Unshielded	8x0.25mm <sup>2</sup> PVC Shielded/Unshielded 8x0.25mm <sup>2</sup> PUR Shielded 2x0.5mm <sup>2</sup> PVC Unshielded 3x0.5mm <sup>2</sup> PVC Shielded/Unshielded 4x0.5mm <sup>2</sup> PVC Shielded/Unshielded 3x0.75mm <sup>2</sup> PVC Unshielded 4x0.75mm <sup>2</sup> PVC Unshielded
Braided shield / cover	Min. 80% 3x / 4x0.34mm <sup>2</sup>	
Lead Shielding	Shield on the knurl nut	
Cable sheath	PVC or PUR, Black colour standard	
Cable length tolerance	See Table - 4	
Contact material	Socket: Brass (CuZn)	
Contact Surface	Gold flash	
Rated Voltage (IEC 60664-1)	3, 4 Poles 250 V AC/DC 5 Poles 60 V AC/DC 8 Poles 30 V AC/DC	
Current carrying capacity (IEC 60512-3-5d)	2 to 5 Poles = 4A 6 to 8 Poles = 2A	
Contact resistance (IEC 60512-2-2a)	As per manufacturer specification	
Insulation resistance (IEC 60512-2-3a)	As per manufacturer specification	
Mating cycles (IEC 60512-5-9a)	≥100	
Protection (IEC 60529)	IP67 (when plugged in)	
Pollution degree (IEC 60664-1)	3	
Test voltage (IEC 60664-1)	As per IEC/EN 61076-2-101	



Type Approved  
Safety  
Regular Production  
Surveillance

www.tuv.com  
ID 1111210483



Specifications are subject to change without notice.

## X-ON Electronics

Largest Supplier of Electrical and Electronic Components

*Click to view similar products for [Sensor Cables / Actuator Cables](#) category:*

*Click to view products by [Altech](#) manufacturer:*

Other Similar products are found below :

[60963](#) [60964](#) [M83513/19-F01CP](#) [703000D02F2002](#) [703001D02F0602](#) [703001D02F300](#) [704000D02F120](#) [773032K02F030](#) [802027107404-1](#)  
[802027213811-1](#) [804001A09M150](#) [805001A09M0502](#) [84914-0235](#) [84914-0237](#) [885030A09M020](#) [8R4J30E03C3003](#) [1200651332](#)  
[1200651713](#) [1200660844](#) [1200660845](#) [1200661173](#) [1200680071](#) [1200720053](#) [1200720081](#) [1200720099](#) [1200720217](#) [1200800231](#)  
[1200860125](#) [1200870123](#) [1200980102](#) [1200650267](#) [1200650298](#) [1200660183](#) [1200660782](#) [1200660849](#) [1200661295](#) [1200661297](#)  
[1200661342](#) [1200661343](#) [1200670080](#) [1200670220](#) [1200680331](#) [1200720252](#) [1200730184](#) [1200860344](#) [1200870359](#) [1200870643](#)  
[1200980008](#) [1200980031](#) [1210502211](#)