

Altech Search

Google



Home

Stock Check

Distributors

Information

News

Contact

Rep/Dist Login

Altech Mexico

WEB TOOLS

Drawings & Photos

Enclosure Finder

Altech Videos

Request for Quote

Sample Request

Catalog Request

Product Crossings

eBook Catalog

PRODUCT MENU

ATEX Products

Circuit Protection/Control >

Connectors >

Enclosures >

Fuses >

Digital Panel Meters

Foot Switches

Interface Modules >

Panel Accessories

Power Supplies

Power Semi-Conductors

PCB Connection Technology >

Programmable Controllers

Push Buttons & Pilot Lights >

Relays >

Sensors >

Safety Switches >

Standard Switches >

Solid State Relays

Terminal Blocks >

Test & Measurement

Travel Lights

New Products and Promotions

The NEW

Altech



ENCLOSURE FINDER

Click here to begin

CIRCUIT PROTECTION



Circuit Protection Devices



Busbar & Power Distribution



Contactors, Overload Relays, Manual Motor Starters



Motor Disconnect Switches



European Fuses & Holders

CONNECTORS



Pin & Sleeve Devices



Receptacles



Industrial & ATEX Enclosures



DIN Enclosures



Control Enclosures and Suspension Systems

FOOT SWITCHES



Industrial



Medical



Interface Modules



Safety Relays



Industrial & Slimline Relays

PANEL ACCESSORIES



Panel Lights



Heaters, Filters & Thermostats



European Spare Parts



22 & 30 mm Push Buttons & Enclosures



Pilot Lights & E-Stops

POWER DEVICES



Power Supplies



DC-UPS & Battery Chargers



Altech Smart Relays



Digital Panel Meters



Digital Timers

SAFETY SWITCHES



Keyed Safety Switches



Keyed Solenoid Locking Switches



Hinged Safety Switches



Non-Contact Safety Switches



Safety Rope Pull Switches

STANDARD SWITCHES



Limit Switches



Foot Switches



Cylindrical & Capacitive



Flat Pack & Ring



Metal Detection

SENSORS

Altech Corporation
35 Royal Road
Flemington, NJ 08822-6000
P 908.806.9400 • F 908.806.9490
www.altechcorp.com
Altech Corp.® 252-012018-3K
Printed January 2018



Altech Corp.®

Serving the Automation & Control Industry since 1984



Quality
Endorsed
Company



UL Pin & Sleeve Devices

Altech Corp.®

Since 1984, Altech Corporation has grown to become a leading supplier of automation and industrial control components. Headquartered in Flemington, NJ, Altech has an experienced staff of engineering, manufacturing and sales personnel to provide the highest quality products with superior service. This is the Altech Commitment!

With experienced Product Engineers and Customer Service personnel, Altech provides solutions to your most pressing application challenges. All with one thought in mind - *to ensure that we solve your problem the first time!*



Quality Commitment

Altech's control components meet diverse national and international standards such as UL, NEC, CSA, IEC, VDE and more. Altech provides superior customer service and delivery through Total Quality Management and Continuous Process Improvement. Altech is ISO 9001 approved. We perform these services with honesty and integrity and are committed to achieve these goals.



TABLE OF CONTENTS

Altech's line of industrial plugs and sockets combine the elements of good design, high quality, safety, ease of installation and competitive cost. The pin and sleeve devices are manufactured to EN 60309 Part 1 and 2: IEC 60309. Their rugged construction in polyamide 6 material provides good anti-tracking properties and high resistance to aggressive industrial use.

In accordance with the Standard's requirements, these devices are color coded to provide positive voltage and frequency matching and external key-ways ensure correct alignment of contact pins. The position of the ground pin relative to the socket's key-way are designated as a clock hour position.

The ground terminal also has a larger diameter than the contacts, making it impossible to install it in an IEC 60309 device with a different voltage rating.

The shrouded housing made of high impact nylon material protects the contacts from physical abuse and safeguards against touching live parts when partially engaged.

All terminals are clearly marked with both IEC 60309 and North American Standards.

Features include:

- High impact and abrasion resistance
- Resistant to oil, petrol, most acids and alkalines
- Operating Temperature range -13°F to 176°F (-25°C to 80°C)
- Excellent anti-tracking
- Insulated cable clamp device
- Maximum wiring space
- Terminals clearly marked
- All screws are accessible from one side

<p>General Information</p>  <p>4</p>	<p>Technical Data</p>  <p>5</p>	<p>Plugs IP44</p>  <p>6</p>	<p>Connectors IP44</p>  <p>7</p>																																																																																			
<p>Receptacles flange straight IP44</p>  <p>8</p>	<p>Receptacles flange angled IP44</p>  <p>9</p>	<p>Receptacles wall mount IP44</p>  <p>10</p>	<p>Inlets flange straight</p>  <p>11</p>																																																																																			
<p>Inlets wall mount</p>  <p>12</p>	<p>Plugs IP67</p>  <p>13</p>	<p>Connectors IP67</p>  <p>14</p>	<p>Receptacles flange straight IP67</p>  <p>15</p>																																																																																			
<p>Receptacles flange angled IP67</p>  <p>16</p>	<p>Receptacles wall mount IP67</p>  <p>17</p>	<p>Quick Ordering</p> <table border="1"> <thead> <tr> <th>Amps</th> <th>Poles</th> <th>Ground Pin</th> <th>Voltage (volts)</th> <th>TWIST</th> </tr> </thead> <tbody> <tr> <td rowspan="4">2P3W (3P)</td> <td>4h</td> <td></td> <td>120Vac</td> <td>S31S10A</td> </tr> <tr> <td>5h</td> <td></td> <td>277Vac</td> <td>S31S10A</td> </tr> <tr> <td>6h</td> <td></td> <td>250Vac</td> <td>S31S20A</td> </tr> <tr> <td>7h</td> <td></td> <td>480Vac</td> <td>S31S20A</td> </tr> <tr> <td rowspan="8">3P4W (4P)</td> <td>3h</td> <td></td> <td>380-440Vac</td> <td>S41S00A</td> </tr> <tr> <td>5h</td> <td></td> <td>600Vac</td> <td>S41S10A</td> </tr> <tr> <td>6h</td> <td></td> <td>380Vac</td> <td>S41S20A</td> </tr> <tr> <td>7h</td> <td></td> <td>480Vac</td> <td>S41S20A</td> </tr> <tr> <td>8h</td> <td></td> <td>250Vac</td> <td>S41S20A</td> </tr> <tr> <td>12h</td> <td></td> <td>332/230Vac</td> <td>S41S20A</td> </tr> <tr> <td>5h</td> <td></td> <td>347/600Vac</td> <td>S51S10A</td> </tr> <tr> <td>5h</td> <td></td> <td>347/600Vac</td> <td>S51S10A</td> </tr> </tbody> </table> <p>18-19</p>	Amps	Poles	Ground Pin	Voltage (volts)	TWIST	2P3W (3P)	4h		120Vac	S31S10A	5h		277Vac	S31S10A	6h		250Vac	S31S20A	7h		480Vac	S31S20A	3P4W (4P)	3h		380-440Vac	S41S00A	5h		600Vac	S41S10A	6h		380Vac	S41S20A	7h		480Vac	S41S20A	8h		250Vac	S41S20A	12h		332/230Vac	S41S20A	5h		347/600Vac	S51S10A	5h		347/600Vac	S51S10A	<p>Index</p> <table border="1"> <tbody> <tr><td>A31S12A.....</td><td>11</td></tr> <tr><td>A31S22A.....</td><td>11</td></tr> <tr><td>A31S52A.....</td><td>11</td></tr> <tr><td>A31S72A.....</td><td>11</td></tr> <tr><td>A32S12A.....</td><td>11</td></tr> <tr><td>A32S22A.....</td><td>11</td></tr> <tr><td>A32S52A.....</td><td>11</td></tr> <tr><td>A32S72A.....</td><td>11</td></tr> <tr><td>A41S02A.....</td><td>11</td></tr> <tr><td>A41S22A.....</td><td>11</td></tr> <tr><td>A41S32A.....</td><td>11</td></tr> <tr><td>A41S52A.....</td><td>11</td></tr> <tr><td>A41S62A.....</td><td>11</td></tr> <tr><td>A41S72A.....</td><td>11</td></tr> </tbody> </table> <p>20-23</p>	A31S12A.....	11	A31S22A.....	11	A31S52A.....	11	A31S72A.....	11	A32S12A.....	11	A32S22A.....	11	A32S52A.....	11	A32S72A.....	11	A41S02A.....	11	A41S22A.....	11	A41S32A.....	11	A41S52A.....	11	A41S62A.....	11	A41S72A.....	11
Amps	Poles	Ground Pin	Voltage (volts)	TWIST																																																																																		
2P3W (3P)	4h		120Vac	S31S10A																																																																																		
	5h		277Vac	S31S10A																																																																																		
	6h		250Vac	S31S20A																																																																																		
	7h		480Vac	S31S20A																																																																																		
3P4W (4P)	3h		380-440Vac	S41S00A																																																																																		
	5h		600Vac	S41S10A																																																																																		
	6h		380Vac	S41S20A																																																																																		
	7h		480Vac	S41S20A																																																																																		
	8h		250Vac	S41S20A																																																																																		
	12h		332/230Vac	S41S20A																																																																																		
	5h		347/600Vac	S51S10A																																																																																		
	5h		347/600Vac	S51S10A																																																																																		
A31S12A.....	11																																																																																					
A31S22A.....	11																																																																																					
A31S52A.....	11																																																																																					
A31S72A.....	11																																																																																					
A32S12A.....	11																																																																																					
A32S22A.....	11																																																																																					
A32S52A.....	11																																																																																					
A32S72A.....	11																																																																																					
A41S02A.....	11																																																																																					
A41S22A.....	11																																																																																					
A41S32A.....	11																																																																																					
A41S52A.....	11																																																																																					
A41S62A.....	11																																																																																					
A41S72A.....	11																																																																																					

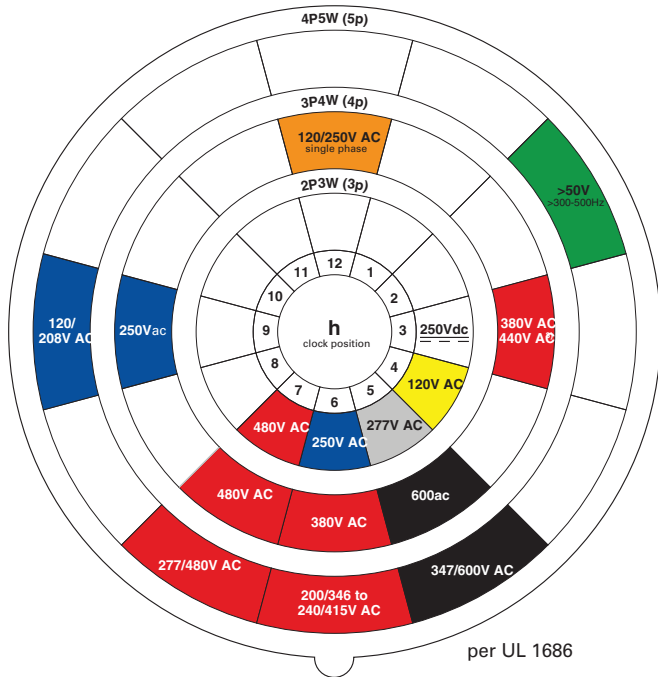
GENERAL INFORMATION

The Pin and Sleeves are manufactured to EN60309 part 1 and part 2; IEC60309.

Clock positions (for appliances >50V)

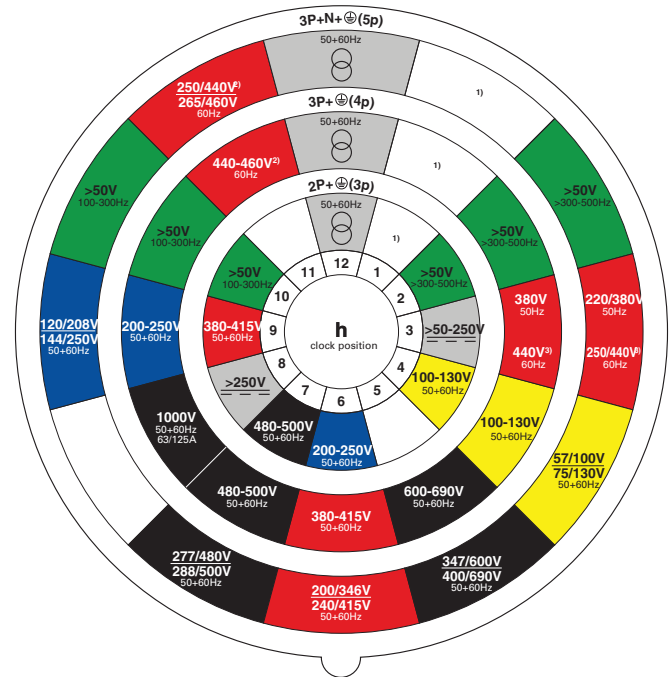
Position of the earthing contact - viewed from frontside of socket or connector:

North American Rating - Series II



per UL 1686

International Rating - Series I



- ¹⁾ Clock position not standardized - free for use for special applications
- ²⁾ Mainly for ship installations
- ³⁾ Only for refrigerated containers



Example: Position of the earthing contact - viewed from frontside of socket or connector.

Earthing contact is visibly wider.
6h
400V 4P5W = 6h

Color codes IEC 60309

For ease of identification of the various voltages and frequencies all CEE plugs and sockets are color coded.

Rated operating voltage:	20-25V	40-50V	100-130V	200-250V	380-480V	500-1000V	>60-500Hz	no colour code
Color: ^{1) 2)}	violet	white	yellow	blue	red	black	green	grey

1) For frequencies over 60 Hz up to and including 500 Hz, the colour green may be used, if necessary, in combination with the colour for the rated operating voltage.
2) In countries where accessories of series II current ratings are used, the colour orange is reserved for 125/250 V a.c. and the colour grey is reserved for 277 V a.c. accessories.

TECHNICAL DATA

ELECTRICAL					
Insulation Voltage, Max (Volts)		16/20 Amp. (A) = 690V (Plugs, Connectors, Receptacles) / 500V (Inlets) 32/30 Amp. (A) = 690V(Plugs, Connectors, Receptacles) / 500V (Inlets)			
Dielectric Withstanding Voltage		16/20 Amp. (A) = 3000V (Plugs, Connectors, Receptacles) / 2500V (Inlets) 32/30 Amp. (A) = 3000V(Plugs, Connectors, Receptacles) / 2500V (Inlets)			
Current Interrupting		IEC: Certified for current interrupting at 110% of the rated operating voltage and 125% of the rated current at a power factor of 0.6 (16Amp. (A) and 32Amp. (A)). UL: Certified for current interrupting at 100% of the rated operating voltage and 150% of the rated current at a power factor of 0.75-0.80 (20Amp. (A) and 30Amp. (A)).			
Endurance, Connect and disconnect cycles at full rated current and voltage		IEC: 16 Amp. (A) = 5000 at a power factor of 0.6 32 Amp. (A) = 1000 at a power factor of 0.6 UL: 20 Amp. (A) = 5000 at a power factor of 0.75-0.80 30 Amp. (A) = 1000 at a power factor of 0.75-0.80			
MECHANICAL					
Impact Resistance		Per IEC 60309-1 / Clause 24; UL 1682 and CSA C22.2 182.1 / Clause 5.13			
Terminal Identification		Per IEC 60309-1 / Sub-clause 7.5; UL 1682 and CSA C22.2 182.1			
ENVIRONMENTAL					
Temperature Range, Operating		-25°C to +80°C (-13°F to +176°F)			
Moisture Resistance		Splashproof IP44; Watertight IP67; Per IEC 60309-1 / Clause 18			
Flammability		Per IEC 60309-1 / Clause 27: Contact Carrying Parts: 850°C Non Contact Carrying Parts: 650°C Flame Class Rating UL 94 or CSA C22.2 No.0.17: V-2			
MATERIAL					
Housing (Front and Back)		Polyamide 6			
Cover		Polyamide 6			
Cover Rivet		Splashproof IP44: Polyamide 6 Watertight IP67: Brass			
Cover Spring		Spring Steel			
Contact Carrier		Polyamide 6			
Contacts		Brass or Nickel-plated Brass			
Terminal Screws		Steel, Brass or Nickel-plated Brass			
Cord Clamp / Bushing		Polypropylene and Thermoplastic Elastomer			
Gland Nut		Polyamide 6			
Assembly Screws		Steel			
RECOMMENDED SIZE FOR CONNECTABLE CONDUCTORS (>50V)					
Amp Rating		Flexible Wire for Plugs, Connectors, Receptacles, Inlets		Solid Wire for Receptacles, Inlets	
Series I	Series II	Series I	Series II	Series I	Series II
16A	20A	1-2.5mm ²	AWG 16-12	1.5-4mm ²	AWG 16-12
32A	30A	2.5-6mm ²	AWG 14-10	2.5-10mm ²	AWG 14-8
CORDAGE PREPARATION					
CONDUCTOR	LENGTH	STRIP			
16A / 20A	50mm / 1.97"	10-12mm / 0.39-0.47"			
32A / 30A	50mm / 1.97"	12-14mm / 0.47-0.55"			
RECOMMENDED TORQUE TABLE					
Amp Rating	Terminal Screws for Plugs, Connectors, Receptacles, Inlets	Strain Relief for Plugs, Connectors	Housing Screws for Receptacles, Inlets		
16A / 20A	100Ncm / 8.85 lbf in	400Ncm / 35.4 lbf in	110Ncm / 9.74 lbf in		
32A / 30A	110Ncm / 9.74 lbf in	500Ncm / 44.3 lbf in	110Ncm / 9.74 lbf in		

**IP44
PLUGS
20/30A**



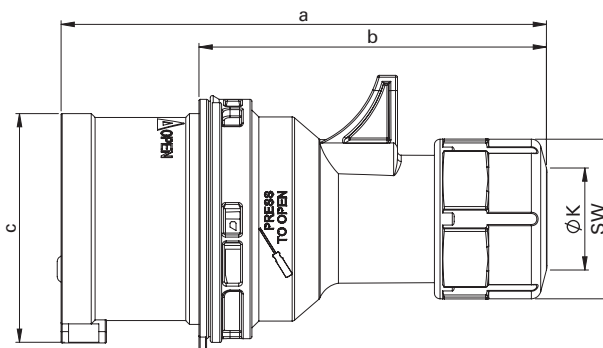
- with screw terminals
- housing material: PA6
- contacts: brass

S52S30A

wire configuration	clock position	Symbol	Voltage (colors)	20A part number	30A part number
2P3W (3p)	4h		120V AC	S31S10A	S32S10A
	5h		277V AC	S31S70A	S32S70A
	6h		250V AC	S31S20A	S32S20A
	7h		480V AC	S31S50A	S32S50A
3P4W (4p)	3h		380,440V AC	S41S00A	S42S00A
	5h		600V AC	S41S70A	S42S70A
	6h		380V AC	S41S30A	S42S30A
	7h		480V AC	S41S50A	S42S50A
	9h		250V AC	S41S20A	S42S20A
	12h		120/250V AC single phase	S41S60A	S42S60A
4P5W (5p)	5h		347/600V AC	S51S70A	S52S70A
	6h		200/346 to 240/415V AC	S51S30A	S52S30A
	7h		277/480V AC	S51S50A	S52S50A
	9h		120/208V AC	S51S20A	S52S20A

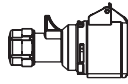
Orange, Green & Grey are all Black with color coded labels.

Dimensions (mm / in.)
& Weight (g / lb.)



Poles	20A			30A		
	2P3W (3p)	3P4W (4p)	4P5W (5p)	2P3W (3p)	3P4W (4p)	4P5W (5p)
a [mm / inch]	118 / 4.65	124 / 4.88	131 / 5.16	146 / 5.75	146 / 5.75	152 / 5.98
b [mm / inch]	82 / 3.23	88 / 3.46	95 / 3.74	100 / 3.94	100 / 3.94	106 / 4.17
c [mm / inch]	47 / 1.85	53 / 2.09	61 / 2.4	63 / 2.48	63 / 2.48	70 / 2.76
K_cable Ø [mm / inch]	6-15 / 0.24-0.59	6-15 / 0.24-0.59	8-16 / 0.31-0.63	11.5-20 / 0.45-0.79	11.5-20 / 0.45-0.79	11.5-22 / 0.45-0.87
SW [mm / inch]	38 / 1.5	38 / 1.5	42 / 1.65	50 / 1.97	50 / 1.97	50 / 1.97
Weight [g / lb]	107 / 0.24	134 / 0.3	157 / 0.35	182 / 0.4	209 / 0.46	235 / 0.52

**IP44
CONNECTOR
20/30A**



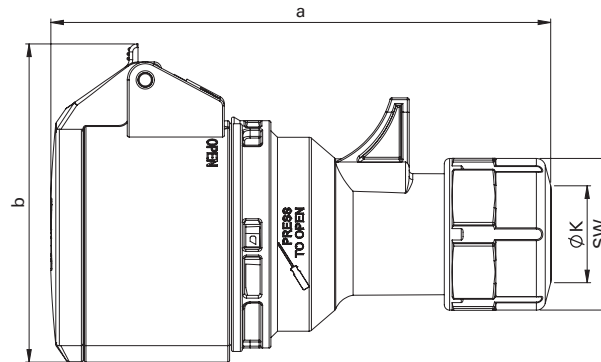
- with screw terminals
- housing material: PA6
- contacts: brass

K32S20A

wire configuration	clock position	Symbol	Voltage (colors)	20A part number	30A part number
2P3W (3p)	4h		120V AC	K31S10A	K32S10A
	5h		277V AC	K31S70A	K32S70A
	6h		250V AC	K31S20A	K32S20A
	7h		480V AC	K31S50A	K32S50A
3P4W (4p)	3h		380,440V AC	K41S00A	K42S00A
	5h		600V AC	K41S70A	K42S70A
	6h		380V AC	K41S30A	K42S30A
	7h		480V AC	K41S50A	K42S50A
	9h		250V AC	K41S20A	K42S20A
	12h		120/250V AC single phase	K41S60A	K42S60A
4P5W (5p)	5h		347/600V AC	K51S70A	K52S70A
	6h		200/346 to 240/415V AC	K51S30A	K52S30A
	7h		277/480V AC	K51S50A	K52S50A
	9h		120/208V AC	K51S20A	K52S20A

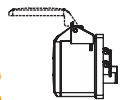
Orange, Green & Grey are all Black with color coded labels.

Dimensions (mm / in.)
& Weight (g / lb.)



Poles	20A			30A		
	2P3W (3p)	3P4W (4p)	4P5W (5p)	2P3W (3p)	3P4W (4p)	4P5W (5p)
a [mm / inch]	129 / 5.08	135 / 5.31	142 / 5.59	159 / 6.26	159 / 6.26	165 / 6.5
b [mm / inch]	76 / 2.99	80 / 3.15	89 / 3.5	92 / 3.62	92 / 3.62	98 / 3.86
K_cable Ø [mm / inch]	6-15 / 0.24-0.59	6-15 / 0.24-0.59	8-16 / 0.31-0.63	11.5-20 / 0.45-0.79	11.5-20 / 0.45-0.79	11.5-22 / 0.45-0.87
SW [mm / inch]	38 / 1.5	38 / 1.5	42 / 1.65	50 / 1.97	50 / 1.97	50 / 1.97
Weight [g / lb]	140 / 0.31	162 / 0.36	184 / 0.41	226 / 0.5	244 / 0.54	280 / 0.62

IP44 RECEPTACLES FLANGE STRAIGHT 20/30A



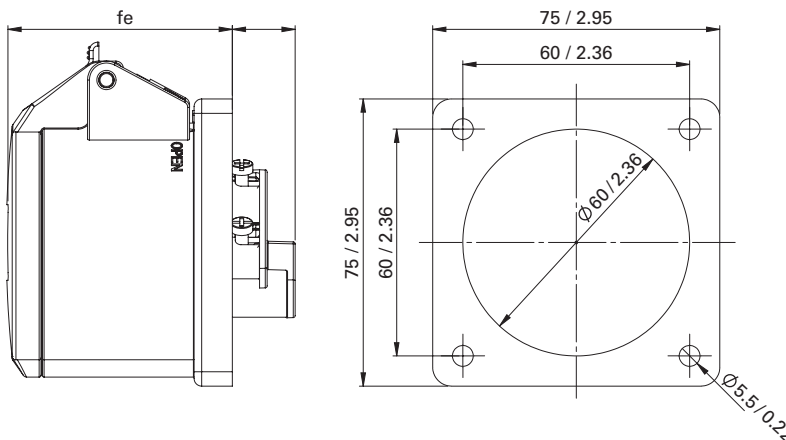
- with screw terminals
- housing material: PA6
- contacts: brass

A52S22A

wire configuration	clock position	Symbol	Voltage (colors)	20A part number	30A part number
2P3W (3p)	4h		120V AC	F31S10A	F32S10A
	5h		277V AC	F31S70A	F32S70A
	6h		250V AC	F31S20A	F32S20A
	7h		480V AC	F31S50A	F32S50A
3P4W (4p)	3h		380,440V AC	F41S00A	F42S00A
	5h		600V AC	F41S70A	F42S70A
	6h		380V AC	F41S30A	F42S30A
	7h		480V AC	F41S50A	F42S50A
	9h		250V AC	F41S20A	F42S20A
	12h		120/250V AC single phase	F41S60A	F42S60A
4P5W (5p)	5h		347/600V AC	F51S70A	F52S70A
	6h		200/346 to 240/415V AC	F51S30A	F52S30A
	7h		277/480V AC	F51S50A	F52S50A
	9h		120/208V AC	F51S20A	F52S20A

Orange, Green & Grey are all Black with color coded labels.

Dimensions (mm / in.) & Weight (g / lb.)



Poles	20A			30A		
	2P3W (3p)	3P4W (4p)	4P5W (5p)	2P3W (3p)	3P4W (4p)	4P5W (5p)
e [mm / inch]	18 / 0.71	17 / 0.67	18 / 0.71	21 / 0.83	21 / 0.83	21 / 0.83
f [mm / inch]	60 / 2.36	60 / 2.36	60 / 2.36	69 / 2.72	69 / 2.72	69 / 2.72
Weight [g / lb]	130 / 0.29	144 / 0.32	159 / 0.35	179 / 0.39	197 / 0.43	226 / 0.5

IP44 RECEPTACLES FLANGE ANGLED 20/30A



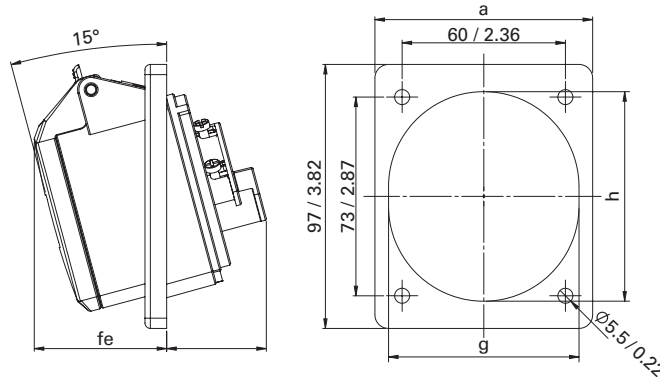
- with screw terminals
- housing material: PA6
- contacts: brass

F31S13A

wire configuration	clock position	Symbol	Voltage (colors)	20A part number	30A part number
2P3W (3p)	4h		120V AC	F31S13A	F32S13A
	5h		277V AC	F31S73A	F32S73A
	6h		250V AC	F31S23A	F32S23A
	7h		480V AC	F31S53A	F32S53A
3P4W (4p)	3h		380,440V AC	F41S03A	F42S03A
	5h		600V AC	F41S73A	F42S73A
	6h		380V AC	F41S33A	F42S33A
	7h		480V AC	F41S53A	F42S53A
	9h		250V AC	F41S23A	F42S23A
	12h		120/250V AC single phase	F41S63A	F42S63A
4P5W (5p)	5h		347/600V AC	F51S73A	F52S72A
	6h		200/346 to 240/415V AC	F51S33A	F52S32A
	7h		277/480V AC	F51S53A	F52S52A
	9h		120/208V AC	F51S23A	F52S22A

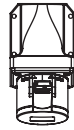
Orange, Green & Grey are all Black with color coded labels.

Dimensions (mm / in.) & Weight (g / lb.)



Poles	20A			30A		
	2P3W (3p)	3P4W (4p)	4P5W (5p)	2P3W (3p)	3P4W (4p)	4P5W (5p)
a [mm / inch]	80 / 3.15	80 / 3.15	80 / 3.15	80 / 3.15	80 / 3.15	80 / 3.15
e [mm / inch]	30 / 1.18	33 / 1.3	36 / 1.42	40 / 1.57	40 / 1.57	42 / 1.65
f [mm / inch]	49 / 1.93	49 / 1.93	49 / 1.93	62 / 2.44	62 / 2.44	65 / 2.56
g [mm / inch]	70 / 2.76	70 / 2.76	70 / 2.76	71 / 2.8	71 / 2.8	78 / 3.07
h [mm / inch]	77 / 3.03	77 / 3.03	77 / 3.03	78 / 3.07	78 / 3.07	87 / 3.43
Weight [g / lb]	144 / 0.32	158 / 0.35	175 / 0.39	196 / 0.43	214 / 0.47	246 / 0.54

**IP44
RECEPTACLES
WALL MOUNT
20/30A**



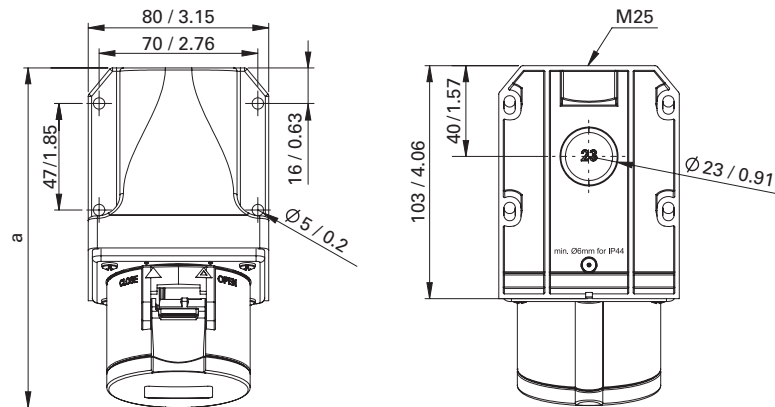
- with screw terminals
- housing material: PA6
- contacts: brass

D42S21A

wire configuration	clock position	Symbol	Voltage (colors)	20A part number	30A part number
2P3W (3p)	4h		120V AC	D31S11A	D32S11A
	5h		277V AC	D31S71A	D32S71A
	6h		250V AC	D31S21A	D32S21A
	7h		480V AC	D31S51A	D32S51A
3P4W (4p)	3h		380,440V AC	D41S01A	D42S01A
	5h		600V AC	D41S71A	D42S01A
	6h		380V AC	D41S31A	D42S31A
	7h		480V AC	D41S51A	D42S51A
	9h		250V AC	D41S21A	D42S21A
	12h		120/250V AC single phase	D41S61A	D42S61A
4P5W (5p)	5h		347/600V AC	D51S71A	D52S71A
	6h		200/346 to 240/415V AC	D51S31A	D52S31A
	7h		277/480V AC	D51S51A	D52S51A
	9h		120/208V AC	D51S21A	D52S21A

Orange, Green & Grey are all Black with color coded labels.

Dimensions (mm / in.)
& **Weight** (g / lb.)



angle = 15°

Poles	20A			30A		
	2P3W (3p)	3P4W (4p)	4P5W (5p)	2P3W (3p)	3P4W (4p)	4P5W (5p)
a [mm / inch]	148 / 5.83	149 / 5.87	150 / 5.91	160 / 6.3	160 / 6.3	161 / 6.34
Height [mm / inch]	103 / 4.06	105 / 4.13	108 / 4.25	113 / 4.45	113 / 4.45	115 / 4.53
Weight [g / lb]	218 / 0.48	232 / 0.51	247 / 0.54	267 / 0.59	285 / 0.63	314 / 0.69

**IP44
INLETS
FLANGE STRAIGHT
20/30A**



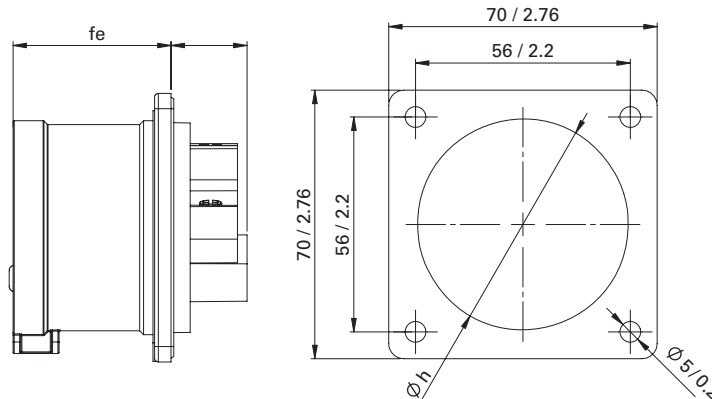
- with screw terminals
- housing material: PA6
- contacts: brass

A32S22A

wire configuration	clock position	Symbol	Voltage (colors)	20A part number	30A part number
2P3W (3p)	4h		120V AC	A31S12A	A32S12A
	5h		277V AC	A31S72A	A32S72A
	6h		250V AC	A31S22A	A32S22A
	7h		480V AC	A31S52A	A32S52A
3P4W (4p)	3h		380,440V AC	A41S02A	A42S02A
	5h		600V AC	A41S72A	A42S72A
	6h		380V AC	A41S32A	A42S32A
	7h		480V AC	A41S52A	A42S52A
	9h		250V AC	A41S22A	A42S22A
	12h		120/250V AC single phase	A41S62A	A42S62A
4P5W (5p)	5h		347/600V AC	A51S72A	A52S72A
	6h		200/346 to 240/415V AC	A51S32A	A52S32A
	7h		277/480V AC	A51S52A	A52S52A
	9h		120/208V AC	A51S22A	A52S22A

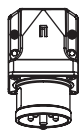
Orange, Green & Grey are all Black with color coded labels.

Dimensions & Weight (mm / in.) (g / lb.)



Poles	20A			30A		
	2P3W (3p)	3P4W (4p)	4P5W (5p)	2P3W (3p)	3P4W (4p)	4P5W (5p)
e [mm / inch]	25 / 0.98	25 / 0.98	26 / 1.02	30 / 1.18	30 / 1.18	30 / 1.18
f [mm / inch]	41 / 1.61	41 / 1.61	42 / 1.65	50 / 1.97	50 / 1.97	50 / 1.97
Ø h [mm / inch]	43 / 1.69	43 / 1.69	55 / 2.17	55 / 2.17	55 / 2.17	55 / 2.17
Weight [g / lb]	89 / 0.2	104 / 0.23	119 / 0.26	139 / 0.31	158 / 0.35	177 / 0.39

**IP44
INLETS
WALL MOUNT
20/30A**



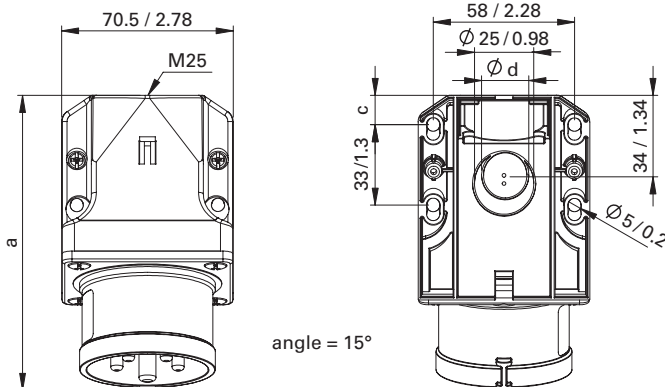
- with screw terminals
- housing material: PA6
- contacts: brass

G41S30A

wire configuration	clock position	Symbol	Voltage (colors)	20A part number	30A part number
2P3W (3p)	4h		120V AC	G31S10A	G32S10A
	5h		277V AC	G31S70A	G32S70A
	6h		250V AC	G31S20A	G32S20A
	7h		480V AC	G31S50A	G32S50A
3P4W (4p)	3h		380,440V AC	G41S00A	G42S00A
	5h		600V AC	G41S70A	G42S70A
	6h		380V AC	G41S30A	G42S30A
	7h		480V AC	G41S50A	G42S50A
	9h		250V AC	G41S20A	G42S20A
	12h		120/250V AC single phase	G41S60A	G42S60A
4P5W (5p)	5h		347/600V AC	G51S70A	G52S70A
	6h		200/346 to 240/415V AC	G51S30A	G52S30A
	7h		277/480V AC	G51S50A	G52S50A
	9h		120/208V AC	G51S20A	G52S20A

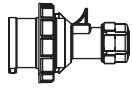
Orange, Green & Grey are all Black with color coded labels.

**Dimensions (mm / in.)
& Weight (g / lb.)**



Poles	20A			30A		
	2P3W (3p)	3P4W (4p)	4P5W (5p)	2P3W (3p)	3P4W (4p)	4P5W (5p)
a [mm / inch]	121 / 4.76	121 / 4.76	123 / 4.84	131 / 5.16	131 / 5.16	132 / 5.2
c [mm / inch]	13 / 0.51					
Ø d [mm / inch]	20 / 0.79					
Height [mm / inch]	76 / 2.99	76 / 2.99	79 / 3.11	83 / 3.27	83 / 3.27	86 / 3.39
Weight [g / lb]	173 / 0.38	188 / 0.41	203 / 0.45	223 / 0.49	242 / 0.53	261 / 0.58

**IP67
PLUGS
20/30A**



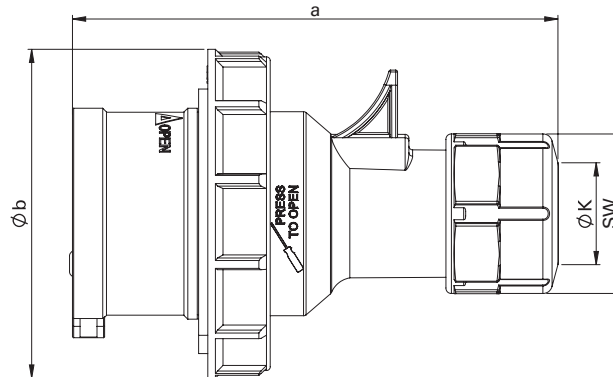
- with screw terminals
- housing material: PA6
- contacts: brass

S52S55A

wire configuration	clock position	Symbol	Voltage (colors)	20A part number	30A part number
2P3W (3p)	4h		120V AC	S31S15A	S32S15A
	5h		277V AC	S31S75A	S32S75A
	6h		250V AC	S31S25A	S32S25A
	7h		480V AC	S31S55A	S32S55A
3P4W (4p)	3h		380,440V AC	S41S05A	S42S05A
	5h		600V AC	S41S75A	S42S75A
	6h		380V AC	S41S35A	S42S35A
	7h		480V AC	S41S55A	S42S55A
	9h		250V AC	S41S25A	S42S25A
	12h		120/250V AC single phase	S41S65A	S42S65A
4P5W (5p)	5h		347/600V AC	S51S75A	S52S75A
	6h		200/346 to 240/415V AC	S51S35A	S52S35A
	7h		277/480V AC	S51S55A	S52S55A
	9h		120/208V AC	S51S25A	S52S25A

Orange, Green & Grey are all Black with color coded labels.

Dimensions (mm / in.)
& Weight (g / lb.)



Poles	20A			30A		
	2P3W (3p)	3P4W (4p)	4P5W (5p)	2P3W (3p)	3P4W (4p)	4P5W (5p)
a [mm / inch]	118 / 4.65	124 / 4.88	131 / 5.16	146 / 5.75	146 / 5.75	152 / 5.98
Ø b [mm / inch]	71 / 2.8	79 / 3.11	87 / 3.43	93 / 3.66	93 / 3.66	100 / 3.94
K_cable Ø [mm / inch]	6-15 / 0.24-0.59	6-15 / 0.24-0.59	8-16 / 0.31-0.63	11.5-20 / 0.45-0.79	11.5-20 / 0.45-0.79	11.5-22 / 0.45-0.87
SW [mm / inch]	38 / 1.5	38 / 1.5	42 / 1.65	50 / 1.97	50 / 1.97	50 / 1.97
Weight [g / lb]	132 / 0.29	156 / 0.34	184 / 0.41	224 / 0.49	243 / 0.54	281 / 0.62

**IP67
CONNECTORS
20/30A**



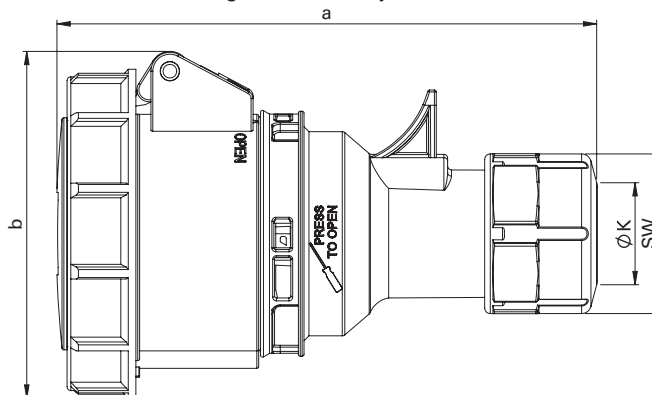
- with screw terminals
- housing material: PA6
- contacts: brass

K52S55A

wire configuration	clock position	Symbol	Voltage (colors)	20A part number	30A part number
2P3W (3p)	4h		120V AC	K31S15A	K32S15A
	5h		277V AC	K31S75A	K32S75A
	6h		250V AC	K31S25A	K32S25A
	7h		480V AC	K31S55A	K32S55A
3P4W (4p)	3h		380,440V AC	K41S05A	K42S05A
	5h		600V AC	K41S75A	K42S75A
	6h		380V AC	K41S35A	K42S35A
	7h		480V AC	K41S55A	K42S55A
	9h		250V AC	K41S25A	K42S25A
	12h		120/250V AC single phase	K41S65A	K42S65A
4P5W (5p)	5h		347/600V AC	K51S75A	K52S75A
	6h		200/346 to 240/415V AC	K51S35A	K52S35A
	7h		277/480V AC	K51S55A	K52S55A
	9h		120/208V AC	K51S25A	K52S25A

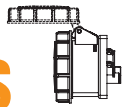
Orange, Green & Grey are all Black with color coded labels.

Dimensions (mm / in.)
& Weight (g / lb.)



Poles	20A			30A		
	2P3W (3p)	3P4W (4p)	4P5W (5p)	2P3W (3p)	3P4W (4p)	4P5W (5p)
a [mm / inch]	133 / 5.24	139 / 5.47	145 / 5.71	162 / 6.38	162 / 6.38	168 / 6.61
b [mm / inch]	78 / 3.07	84 / 3.31	92 / 3.62	96 / 3.78	96 / 3.78	102 / 4.02
K_cable Ø [mm / inch]	6-15 / 0.24-0.59	6-15 / 0.24-0.59	8-16 / 0.31-0.63	11.5-20 / 0.45-0.79	11.5-20 / 0.45-0.79	11.5-22 / 0.45-0.87
SW [mm / inch]	38 / 1.5	38 / 1.5	42 / 1.65	50 / 1.97	50 / 1.97	50 / 1.97
Weight [g / lb]	163 / 0.36	188 / 0.41	212 / 0.47	268 / 0.59	285 / 0.63	332 / 0.73

IP67 RECEPTACLES FLANGE STRAIGHT 20/30A

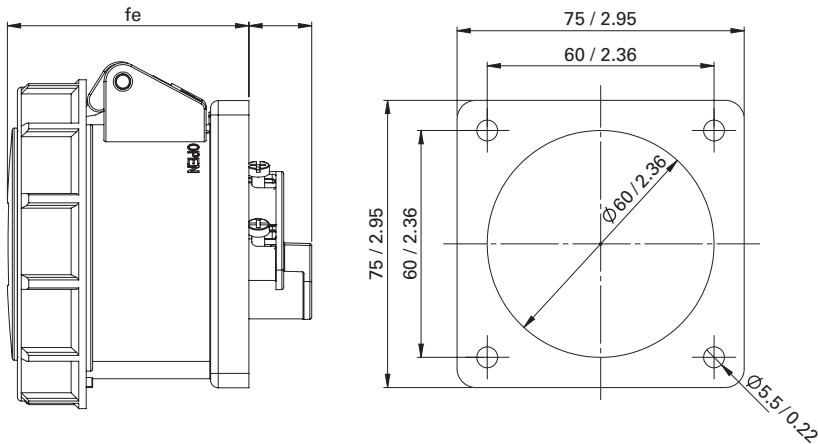


F52S55A

wire configuration	clock position	Symbol	Voltage (colors)	20A part number	30A part number
2P3W (3p)	4h		120V AC	F31S15A	F32S15A
	5h		277V AC	F31S75A	F32S75A
	6h		250V AC	F31S25A	F32S25A
	7h		480V AC	F31S55A	F32S55A
3P4W (4p)	3h		380,440V AC	F41S05A	F42S05A
	5h		600V AC	F41S75A	F42S75A
	6h		380V AC	F41S35A	F42S35A
	7h		480V AC	F41S55A	F42S55A
	9h		250V AC	F41S25A	F42S25A
	12h		120/250V AC single phase	F41S65A	F42S65A
4P5W (5p)	5h		347/600V AC	F51S75A	F52S75A
	6h		200/346 to 240/415V AC	F51S35A	F52S35A
	7h		277/480V AC	F51S55A	F52S55A
	9h		120/208V AC	F51S25A	F52S25A

Orange, Green & Grey are all Black with color coded labels.

Dimensions (mm / in.) & Weight (g / lb.)



Poles	20A			30A		
	2P3W (3p)	3P4W (4p)	4P5W (5p)	2P3W (3p)	3P4W (4p)	4P5W (5p)
e [mm / inch]	18 / 0.71	17 / 0.67	18 / 0.71	21 / 0.83	21 / 0.83	21 / 0.83
f [mm / inch]	63 / 2.48	63 / 2.48	63 / 2.48	73 / 2.87	73 / 2.87	73 / 2.87
Weight [g / lb]	145 / 0.32	167 / 0.37	184 / 0.41	218 / 0.48	235 / 0.52	264 / 0.58

IP67 RECEPTACLES FLANGE ANGLED 20/30A

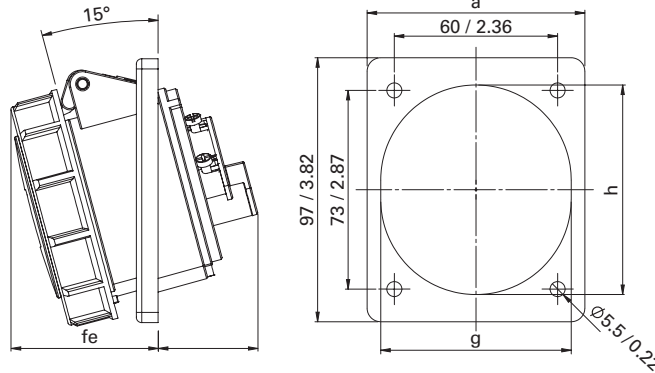


F42S78A

wire configuration	clock position	Symbol	Voltage (colors)	20A part number	30A part number
2P3W (3p)	4h		120V AC	F31S18A	F32S18A
	5h		277V AC	F31S78A	F32S78A
	6h		250V AC	F31S28A	F32S28A
	7h		480V AC	F31S58A	F31S58A
3P4W (4p)	3h		380,440V AC	F41S08A	F42S08A
	5h		600V AC	F41S78A	F42S78A
	6h		380V AC	F41S38A	F42S38A
	7h		480V AC	F41S58A	F42S58A
	9h		250V AC	F41S28A	F42S28A
	12h		120/250V AC single phase	F41S68A	F42S68A
4P5W (5p)	5h		347/600V AC	F51S78A	F52S77A
	6h		200/346 to 240/415V AC	F51S38A	F52S37A
	7h		277/480V AC	F51S58A	F52S57A
	9h		120/208V AC	F51S28A	F52S27A

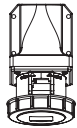
Orange, Green & Grey are all Black with color coded labels.

Dimensions (mm / in.) & Weight (g / lb.)



Poles	20A			30A		
	2P3W (3p)	3P4W (4p)	4P5W (5p)	2P3W (3p)	3P4W (4p)	4P5W (5p)
a [mm / inch]	80 / 3.15	80 / 3.15	80 / 3.15	80 / 3.15	80 / 3.15	80 / 3.15
e [mm / inch]	30 / 1.18	33 / 1.3	36 / 1.42	40 / 1.57	40 / 1.57	42 / 1.65
f [mm / inch]	54 / 2.13	54 / 2.13	54 / 2.13	65 / 2.56	65 / 2.56	65 / 2.56
g [mm / inch]	70 / 2.76	70 / 2.76	70 / 2.76	71 / 2.8	71 / 2.8	78 / 3.07
h [mm / inch]	77 / 3.03	77 / 3.03	77 / 3.03	78 / 3.07	78 / 3.07	87 / 3.43
Weight [g / lb]	159 / 0.35	181 / 0.4	200 / 0.44	235 / 0.52	252 / 0.56	283 / 0.62

**IP67
RECEPTACLES
WALL MOUNT
20/30A**

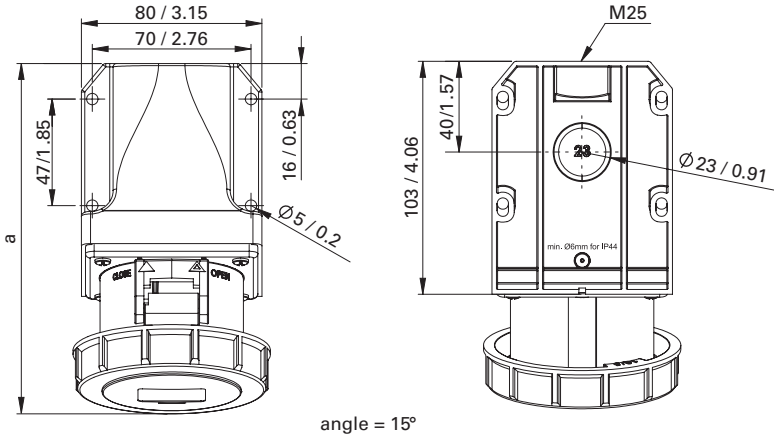


D42S35A

wire configuration	clock position	Symbol	Voltage (colors)	20A part number	30A part number
2P3W (3p)	4h		120V AC	D31S15A	D32S15A
	5h		277V AC	D31S75A	D32S75A
	6h		250V AC	D31S25A	D32S25A
	7h		480V AC	D31S55A	D32S55A
3P4W (4p)	3h		380,440V AC	D41S05A	D42S05A
	5h		600V AC	D41S75A	D42S75A
	6h		380V AC	D41S35A	D42S35A
	7h		480V AC	D41S55A	D42S55A
	9h		250V AC	D41S25A	D42S25A
	12h		120/250V AC single phase	D41S65A	D42S65A
4P5W (5p)	5h		347/600V AC	D51S75A	D52S75A
	6h		200/346 to 240/415V AC	D51S35A	D52S35A
	7h		277/480V AC	D51S55A	D52S55A
	9h		120/208V AC	D51S25A	D52S25A

Orange, Green & Grey are all Black with color coded labels.

Dimensions (mm / in.)
& Weight (g / lb.)



Poles	20A			30A		
	2P3W (3p)	3P4W (4p)	4P5W (5p)	2P3W (3p)	3P4W (4p)	4P5W (5p)
a [mm / inch]	147 / 5.79	149 / 5.87	150 / 5.91	161 / 6.34	161 / 6.34	162 / 6.38
Height [mm / inch]	96 / 3.78	99 / 3.9	102 / 4.02	108 / 4.25	108 / 4.25	110 / 4.33
Weight [g / lb]	244 / 0.54	265 / 0.58	282 / 0.62	316 / 0.7	333 / 0.73	362 / 0.8

IP44 OVERVIEW QUICK ORDERING SYSTEM 20/30A



- with screw terminals
- housing material: PA6
- contacts: brass

Amps	Poles	Ground Pin	Voltage (colors)	PLUGS	CONNECTORS	RECEPTACLES		INLETS			
				TWIST	TWIST	flange straight	flange angled	wall mount	flange straight	wall mount	
20A	2P3W (3p)	4h	120V AC	S31S10A	K31S10A	F31S10A	F31S13A	D31S11A	A31S12A	G31S10A	
		5h	277V AC	S31S70A	K31S70A	F31S70A	F31S73A	D31S71A	A31S72A	G31S70A	
		6h	250V AC	S31S20A	K31S20A	F31S20A	F31S23A	D31S21A	A31S22A	G31S20A	
		7h	480V AC	S31S50A	K31S50A	F31S50A	F31S53A	D31S51A	A31S52A	G31S50A	
	3P4W (4p)	3h	380,440V AC	S41S00A	K41S00A	F41S00A	F41S03A	D41S01A	A41S02A	G41S00A	
		5h	600V AC	S41S70A	K41S70A	F41S70A	F41S73A	D41S71A	A41S72A	G41S70A	
		6h	380V AC	S41S30A	K41S30A	F41S30A	F41S33A	D41S31A	A41S32A	G41S30A	
		7h	480V AC	S41S50A	K41S50A	F41S50A	F41S53A	D41S51A	A41S52A	G41S50A	
		9h	250V AC	S41S20A	K41S20A	F41S20A	F41S23A	D41S21A	A41S22A	G41S20A	
		12h	120/250V AC single phase	S41S60A	K41S60A	F41S60A	F41S63A	D41S61A	A41S62A	G41S60A	
	4P5W (5p)	5h	347/600V AC	S51S70A	K51S70A	F51S70A	F51S73A	D51S71A	A51S72A	G51S70A	
		6h	200/346 to 240/415V AC	S51S30A	K51S30A	F51S30A	F51S33A	D51S31A	A51S32A	G51S30A	
		7h	277/480V AC	S51S50A	K51S50A	F51S50A	F51S53A	D51S51A	A51S52A	G51S50A	
		9h	120/208V AC	S51S20A	K51S20A	F51S20A	F51S23A	D51S21A	A51S22A	G51S20A	
	30A	2P3W (3p)	4h	120V AC	S32S10A	K32S10A	F32S10A	F32S13A	D32S11A	A32S12A	G32S10A
			5h	277V AC	S32S70A	K32S70A	F32S70A	F32S73A	D32S71A	A32S72A	G32S70A
6h			250V AC	S32S20A	K32S20A	F32S20A	F32S23A	D32S21A	A32S22A	G32S20A	
7h			480V AC	S32S50A	K32S50A	F32S50A	F32S53A	D32S51A	A32S52A	G32S50A	
3P4W (4p)		3h	380,440V AC	S42S00A	K42S00A	F42S00A	F42S03A	D42S01A	A42S02A	G42S00A	
		5h	600V AC	S42S70A	K42S70A	F42S70A	F42S73A	D42S71A	A42S72A	G42S70A	
		6h	380V AC	S42S30A	K42S30A	F42S30A	F42S33A	D42S31A	A42S32A	G42S30A	
		7h	480V AC	S42S50A	K42S50A	F42S50A	F42S53A	D42S51A	A42S52A	G42S70A	
		9h	250V AC	S42S20A	K42S20A	F42S20A	F42S23A	D42S21A	A42S22A	G42S20A	
		12h	120/250V AC single phase	S42S60A	K42S60A	F42S60A	F42S63A	D42S61A	A42S62A	G42S60A	
4P5W (5p)		5h	347/600V AC	S52S70A	K52S70A	F52S70A	F52S73A	D52S71A	A52S72A	G52S70A	
		6h	200/346 to 240/415V AC	S52S30A	K52S30A	F52S30A	F52S33A	D52S31A	A52S32A	G52S30A	
		7h	277/480V AC	S52S50A	K52S50A	F52S50A	F52S53A	D52S51A	A52S52A	G52S50A	
		9h	120/208V AC	S52S20A	K52S20A	F52S20A	F52S23A	D52S21A	A52S22A	G52S20A	

IP67 OVERVIEW QUICK ORDERING SYSTEM 20/30A



- with screw terminals
- housing material: PA6
- contacts: brass

Amps	Poles	Ground Pin	Voltage (colors)	PLUGS		CONNECTORS		RECEPTACLES		
				TWIST	TWIST	flange straight	flange angled	75x75 mm	80x97 mm	wall mount
20A	2P3W (3p)	4h	120V AC	S31S15A	K31S15A	F31S15A	F31S18A	D31S15A		
		5h	277V AC	S31S75A	K31S75A	F31S75A	F31S78A	D31S75A		
		6h	250V AC	S31S25A	K31S25A	F31S25A	F31S28A	D31S25A		
		7h	480V AC	S31S55A	K31S55A	F31S55A	F31S58A	D31S55A		
	3P4W (4p)	3h	380,440V AC	S41S05A	K41S05A	F41S05A	F41S08A	D41S05A		
		5h	600V AC	S41S75A	K41S75A	F41S75A	F41S78A	D41S75A		
		6h	380V AC	S41S35A	K41S35A	F41S35A	F41S38A	D41S35A		
		7h	480V AC	S41S55A	K41S55A	F41S55A	F41S58A	D41S55A		
		9h	250V AC	S41S25A	K41S25A	F41S25A	F41S28A	D41S25A		
		12h	120/250V AC single phase	S41S65A	K41S65A	F41S65A	F41S68A	D41S65A		
	4P5W (5p)	5h	347/600V AC	S51S75A	K51S75A	F51S75A	F51S78A	D51S75A		
		6h	200/346 to 240/415V AC	S51S35A	K51S35A	F51S35A	F51S38A	D51S35A		
		7h	277/480V AC	S51S55A	K51S55A	F51S55A	F51S58A	D51S55A		
		9h	120/208V AC	S51S25A	K51S25A	F51S25A	F51S28A	D51S25A		
	30A	2P3W (3p)	4h	120V AC	S32S15A	K32S15A	F32S15A	F32S18A	D32S15A	
			5h	277V AC	S32S75A	K32S75A	F32S75A	F32S78A	D32S75A	
6h			250V AC	S32S25A	K32S25A	F32S25A	F32S28A	D32S25A		
7h			480V AC	S32S55A	K32S55A	F32S55A	F32S58A	D32S55A		
3P4W (4p)		3h	380,440V AC	S42S05A	K42S05A	F42S05A	F42S08A	D42S05A		
		5h	600V AC	S42S75A	K42S75A	F42S75A	F42S78A	D42S75A		
		6h	380V AC	S42S35A	K42S35A	F42S35A	F42S38A	D42S35A		
		7h	480V AC	S42S55A	K42S55A	F42S55A	F42S58A	D42S55A		
		9h	250V AC	S42S25A	K42S25A	F42S25A	F42S28A	D42S25A		
		12h	120/250V AC single phase	S42S65A	K42S65A	F42S65A	F42S68A	D42S65A		
4P5W (5p)		5h	347/600V AC	S52S75A	K52S75A	F52S75A	F52S78A	D52S75A		
		6h	200/346 to 240/415V AC	S52S35A	K52S35A	F52S35A	F52S38A	D52S35A		
		7h	277/480V AC	S52S55A	K52S55A	F52S55A	F52S58A	D52S55A		
		9h	120/208V AC	S52S25A	K52S25A	F52S25A	F52S28A	D52S25A		

Index

A31S12A.....	11	D42S05A.....	17	F32S75A.....	15
A31S22A.....	11	D42S21A.....	10	F32S78A.....	16
A31S52A.....	11	D42S25A.....	17	F41S00A.....	8
A31S72A.....	11	D42S31A.....	10	F41S03A.....	9
A32S12A.....	11	D42S35A.....	17	F41S05A.....	15
A32S22A.....	11	D42S51A.....	10	F41S08A.....	16
A32S52A.....	11	D42S55A.....	17	F41S20A.....	8
A32S72A.....	11	D42S61A.....	10	F41S23A.....	9
A41S02A.....	11	D42S65A.....	17	F41S25A.....	15
A41S22A.....	11	D42S71A.....	10	F41S28A.....	16
A41S32A.....	11	D42S75A.....	17	F41S30A.....	8
A41S52A.....	11	D51S21A.....	10	F41S33A.....	9
A41S62A.....	11	D51S25A.....	17	F41S35A.....	15
A41S72A.....	11	D51S31A.....	10	F41S38A.....	16
A42S02A.....	11	D51S35A.....	17	F41S50A.....	8
A42S22A.....	11	D51S51A.....	10	F41S53A.....	9
A42S32A.....	11	D51S55A.....	17	F41S55A.....	15
A42S52A.....	11	D51S71A.....	10	F41S58A.....	16
A42S62A.....	11	D51S75A.....	17	F41S60A.....	8
A42S72A.....	11	D52S21A.....	10	F41S63A.....	9
A51S22A.....	11	D52S25A.....	17	F41S65A.....	15
A51S32A.....	11	D52S31A.....	10	F41S68A.....	16
A51S52A.....	11	D52S35A.....	17	F41S70A.....	8
A51S72A.....	11	D52S51A.....	10	F41S73A.....	9
A52S22A.....	11	D52S55A.....	17	F41S75A.....	15
A52S32A.....	11	D52S71A.....	10	F41S78A.....	16
A52S52A.....	11	D52S75A.....	17	F42S00A.....	8
A52S72A.....	11	F31S10A.....	8	F42S03A.....	9
D31S11A.....	10	F31S13A.....	9	F42S05A.....	15
D31S15A.....	17	F31S15A.....	15	F42S08A.....	16
D31S21A.....	10	F31S18A.....	16	F42S20A.....	8
D31S25A.....	17	F31S20A.....	8	F42S23A.....	9
D31S51A.....	10	F31S23A.....	9	F42S25A.....	15
D31S55A.....	17	F31S25A.....	15	F42S28A.....	16
D31S71A.....	10	F31S28A.....	16	F42S30A.....	8
D31S75A.....	17	F31S50A.....	8	F42S33A.....	9
D32S11A.....	10	F31S53A.....	9	F42S35A.....	15
D32S15A.....	17	F31S55A.....	15	F42S38A.....	16
D32S21A.....	10	F31S58A.....	16	F42S50A.....	8
D32S25A.....	17	F31S70A.....	8	F42S53A.....	9
D32S51A.....	10	F31S73A.....	9	F42S55A.....	15
D32S55A.....	17	F31S75A.....	15	F42S58A.....	16
D32S71A.....	10	F31S78A.....	16	F42S60A.....	8
D32S75A.....	17	F32S10A.....	8	F42S63A.....	9
D41S01A.....	10	F32S13A.....	9	F42S65A.....	15
D41S05A.....	17	F32S15A.....	15	F42S68A.....	16
D41S21A.....	10	F32S18A.....	16	F42S70A.....	8
D41S25A.....	17	F32S20A.....	8	F42S73A.....	9
D41S31A.....	10	F32S23A.....	9	F42S75A.....	15
D41S35A.....	17	F32S25A.....	15	F42S78A.....	16
D41S51A.....	10	F32S28A.....	16	F51S20A.....	8
D41S55A.....	17	F32S50A.....	8	F51S23A.....	9
D41S61A.....	10	F32S53A.....	9	F51S25A.....	15
D41S65A.....	17	F32S55A.....	15	F51S28A.....	16
D41S71A.....	10	F32S58A.....	16	F51S30A.....	8
D41S75A.....	17	F32S70A.....	8	F51S33A.....	9
D42S01A.....	10	F32S73A.....	9	F51S35A.....	15

Index

F51S38A.....	16	K31S50A.....	7	S31S55A.....	13
F51S50A.....	8	K31S55A.....	14	S31S70A.....	6
F51S53A.....	9	K31S70A.....	7	S31S75A.....	13
F51S55A.....	15	K31S75A.....	14	S32S10A.....	6
F51S58A.....	16	K32S10A.....	7	S32S15A.....	13
F51S70A.....	8	K32S15A.....	14	S32S20A.....	6
F51S73A.....	9	K32S20A.....	7	S32S25A.....	13
F51S75A.....	15	K32S25A.....	14	S32S50A.....	6
F51S78A.....	16	K32S50A.....	7	S32S55A.....	13
F52S20A.....	8	K32S55A.....	14	S32S70A.....	6
F52S23A.....	9	K32S70A.....	7	S32S75A.....	13
F52S25A.....	15	K32S75A.....	14	S41S00A.....	6
F52S28A.....	16	K41S00A.....	7	S41S05A.....	13
F52S30A.....	8	K41S05A.....	14	S41S20A.....	6
F52S33A.....	9	K41S20A.....	7	S41S25A.....	13
F52S35A.....	15	K41S25A.....	14	S41S30A.....	6
F52S38A.....	16	K41S30A.....	7	S41S35A.....	13
F52S50A.....	8	K41S35A.....	14	S41S50A.....	6
F52S53A.....	9	K41S50A.....	7	S41S55A.....	13
F52S55A.....	15	K41S55A.....	14	S41S60A.....	6
F52S58A.....	16	K41S60A.....	7	S41S65A.....	13
F52S70A.....	8	K41S65A.....	14	S41S70A.....	6
F52S73A.....	9	K41S70A.....	7	S41S75A.....	13
F52S75A.....	15	K41S75A.....	14	S42S00A.....	6
F52S78A.....	16	K42S00A.....	7	S42S05A.....	13
G31S10A.....	12	K42S05A.....	14	S42S20A.....	6
G31S20A.....	12	K42S20A.....	7	S42S25A.....	13
G31S50A.....	12	K42S25A.....	14	S42S30A.....	6
G31S70A.....	12	K42S30A.....	7	S42S35A.....	13
G32S10A.....	12	K42S35A.....	14	S42S50A.....	6
G32S20A.....	12	K42S50A.....	7	S42S55A.....	13
G32S50A.....	12	K42S55A.....	14	S42S60A.....	6
G32S70A.....	12	K42S60A.....	7	S42S65A.....	13
G41S00A.....	12	K42S65A.....	14	S42S70A.....	6
G41S20A.....	12	K42S70A.....	7	S42S75A.....	13
G41S30A.....	12	K42S75A.....	14	S51S20A.....	6
G41S50A.....	12	K51S20A.....	7	S51S25A.....	13
G41S60A.....	12	K51S25A.....	14	S51S30A.....	6
G41S70A.....	12	K51S30A.....	7	S51S35A.....	13
G42S00A.....	12	K51S35A.....	14	S51S50A.....	6
G42S20A.....	12	K51S50A.....	7	S51S55A.....	13
G42S30A.....	12	K51S55A.....	14	S51S70A.....	6
G42S60A.....	12	K51S70A.....	7	S51S75A.....	13
G42S70A.....	12	K51S75A.....	14	S52S20A.....	6
G42S70A.....	12	K52S20A.....	7	S52S25A.....	13
G51S20A.....	12	K52S25A.....	14	S52S30A.....	6
G51S30A.....	12	K52S30A.....	7	S52S35A.....	13
G51S50A.....	12	K52S35A.....	14	S52S50A.....	6
G51S70A.....	12	K52S50A.....	7	S52S55A.....	13
G52S20A.....	12	K52S55A.....	14	S52S70A.....	6
G52S30A.....	12	K52S70A.....	7	S52S75A.....	13
G52S50A.....	12	K52S75A.....	14		
G52S70A.....	12	S31S10A.....	6		
K31S10A.....	7	S31S15A.....	13		
K31S15A.....	14	S31S20A.....	6		
K31S20A.....	7	S31S25A.....	13		
K31S25A.....	14	S31S50A.....	6		

Standard Terms and Conditions of Sale

TITLE - Title to the products of ALTECH shall remain with ALTECH until payment is made in full by Customer. Such reservation of title is for the purpose of securing the purchase price and shall not relieve Customer of the duty to inspect the products upon receipt, to notify ALTECH of any deficiencies or defects, and to exercise due care in the use, installation, operation, and maintenance of the products when on the premise of the Customer or under the control of the Customer. Notwithstanding any reservation of title by ALTECH, risk of loss shall pass to customer at any time of shipment.

SHIPMENT AND DELIVERY - All orders for destination in the mainland United States (less Hawaii, Alaska and non-continental United States possessions) will be shipped F.O.B. Flemington, N.J. All destination, shipping and other charges shall be paid by the Customer in accordance with ALTECH's then current shipping and billing practices.

Delivery dates given in the acceptance of any order are approximate. ALTECH shall not be liable for delays in delivery or in performance due to causes beyond its reasonable control including acts of God, acts of Customer, acts of civil or military authority, fires, strikes or other labor disturbances, war, riot or delays in transportation. In the event of such delay, the date of delivery or performance shall be extended for a period equal to the time lost by reason of the delay.

PRICE - PRICES in any ALTECH publication are subject to change without prior notification. Catalog prices are based on prices published in the current price list. All written quotations are valid for thirty (30) days from the date of quotation. Customer shall pay all sales, use, excise or similar taxes whenever ALTECH must itself pay and/or collect such tax from Customer arising out of the sale.

PAYMENT - Customer agrees to make payment within thirty (30) days of date of the invoice from ALTECH. Customer agrees to pay a late payment charge of one and one-half percent (1.5% per month, or the maximum late payment charge permitted by applicable law, whichever is less, on any unpaid amount for each calendar month (or fraction thereof) that such payment is in default. Orders amounting to less than \$100.00 will be billed at \$100.00 plus freight. Full carton purchases are required. In the event of referral to an attorney for collection, reasonable attorney's fees for collection of the overdue amount shall be paid by Customer. In the event payment is not received within 30 days from the date of invoice, any discount shall be cancelled and the full list price will be due.

LIMITED WARRANTY - ALTECH warrants to Customer that the equipment purchases shall be free from defects in material and workmanship under normal use and service for a period of one year from shipment.

Written notice as an explanation of the circumstances of any claim that the equipment has proved defective in material or workmanship shall be given promptly by the Customer to ALTECH.

ALTECH will not be liable for any misuse, improper operations, improper installation, improper maintenance, alteration, modification, accident or unusual degradation of the equipment or parts due to an unsuitable installation environment.

No representation of other affirmation of facts, including but not limited to statements regarding capacity, suitability for use or performance of the equipment, shall be or be deemed to be a warranty or representation by ALTECH for any purpose, nor give rise to any liability or obligation of ALTECH whatsoever.

Customer's sole and exclusive remedy in the event of breach of warranty, as set forth herein, is expressly limited to (1) the correction of the defect by adjustment, repair, modification, or replacement, or (2) issuance of a credit or refund of the purchase price for the defective equipment at ALTECH's election and sole expense.

EXCEPT AS SPECIFICALLY PROVIDED IN THIS AGREEMENT, THERE ARE NO OTHER WARRANTIES EXPRESSED OR IMPLIED INCLUDING BUT NOT LIMITED TO ANY IMPLIED WARRANTIES OR MERCHANTABILITY OR FITNESS FOR A PARTICULAR PURPOSE.

THIS WARRANTY EXTENDS ONLY TO THE CUSTOMER FROM ALTECH OR ITS AUTHORIZED DISTRIBUTOR.

LIMITATION OF LIABILITY - IN NO EVENT, SHALL ALTECH BE LIABLE FOR LOSS OF PROFITS, INDIRECT, SPECIAL, CONSEQUENTIAL OR OTHER SIMILAR DAMAGES ARISING OUT OF ANY BREACH OF THIS AGREEMENT OR OBLIGATIONS UNDER THE AGREEMENT.

ALTECH SHALL NOT BE LIABLE FOR ANY DAMAGES CAUSED BY DELAY IN SHIPMENT, INSTALLATION OR FURNISHING OF EQUIPMENT OR SERVICES UNDER THIS AGREEMENT.

No action arising out of any claimed breach of this Agreement may be brought by either party more than two (2) years after the cause of action has accrued.

PATENT INDEMNITY - ALTECH shall defend or settle any suit or proceeding brought against Customer based on a claim that any equipment made to ALTECH design and furnished hereunder constitutes an infringement of any existing United States patent, provided (ALTECH) is notified promptly in writing and is given complete authorization and information required for the defense, and ALTECH shall pay all damages and costs awarded against Customer, but shall not be responsible for any costs, expense or compromise incurred or made by Customer without ALTECH's prior written consent. If any equipment is in ALTECH's opinion likely to or does become the subject of a claim for patent infringement, ALTECH may at its option and expense procure for Customer the right to continue using the device, modify it to become non-infringing, but in the event ALTECH is not reasonably able to modify, substitute, or otherwise procure for Customer the right to continue using it, ALTECH will remove such equipment and refund to Customer the amount paid in excess of a reasonable rental for past use.

ALTECH shall not be liable for any infringement or claim based upon use of the equipment in combination with other equipment not supplied by ALTECH or with modifications made by Customer.

The foregoing states the entire liability of ALTECH to Customer arising from patent infringement.

SELLER'S REMEDIES - Should Customer fail to make any payment within ten (10) days of its due date, or fail to perform any other of the Customer's obligation hereunder upon thirty (30) days written notice, or should Customer be or become insolvent or be a party to any bankruptcy receivership proceeding prior to full payment of all amounts payable hereunder, ALTECH may: (a) with or without demand or notice to customer declare the entire amount unpaid immediately due and payable; (b) enter upon the premises where the equipment may be found and remove it (Customer shall assemble the equipment and make it available to ALTECH at a place reasonably convenient to both parties and shall permit and assist ALTECH in effecting the retaking and removal of the equipment); and (c) sell any or all the equipment as permitted under applicable law, applying the proceeds of the sale to payment of the expenses of retaking, repairing and selling the equipment, reasonable attorney fees and to the satisfaction of all indebtedness then due and unpaid under this Agreement. Any surplus shall be paid to Customer and any deficiency shall be paid to ALTECH by Customer.

The remedies provided herein shall be cumulative and in addition to all other remedies provided by law or equity or under the Uniform Commercial Code.

GOVERNING LAW - This agreement will be governed by the Laws of the State of New Jersey.

GENERAL - This Agreement shall only become effective and binding when either (a) it has been accepted and executed by an authorized representative of ALTECH, or (b) the equipment has been shipped to Customer, with or without acceptance in writing hereon. Notice of acceptance is hereby waived by Customer. Customer hereby acknowledges receipt of a true and complete copy hereof.

No addition to or modification of any of the Terms and Conditions of Sale as they appear herein shall be binding upon ALTECH unless signed in writing by duly authorized representative of ALTECH in Flemington, N.J.

Typographical and clerical errors in quotations, orders and acknowledgments are subject to correction.

This Agreement is not assignable without the prior written consent of ALTECH. Any attempt to assign any of the rights, duties or obligations of this Agreement without such consent is void.

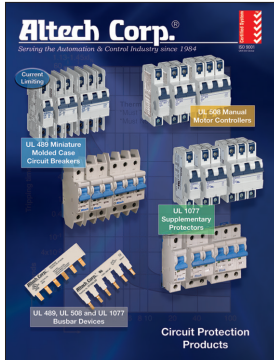
If any provision or provisions of this Agreement shall be held to be invalid, illegal or unenforceable, the validity, legality and enforceability, of the remaining provisions shall not in any way be affected or impaired thereby.

ALTECH is not responsible for failure to fulfill its obligation under this Agreement due to causes beyond its control, or except as agreed herein.

THE CUSTOMER ACKNOWLEDGES THAT HE HAS READ THE AGREEMENT, UNDERSTANDS IT, AND AGREES TO BE BOUND BY ITS TERMS AND CONDITIONS. FURTHERMORE, THE CUSTOMER AGREES THAT IT IS THE COMPLETE AND EXCLUSIVE STATEMENT OF THE AGREEMENT BETWEEN THE PARTIES, WHICH SUPERSEDES ALL PROPOSALS OR PRIOR AGREEMENTS, ORAL OR WRITTEN, EXPRESSED OR IMPLIED, AND ALL OTHER COMMUNICATIONS BETWEEN THE PARTIES RELATING TO THE SUBJECT MATTER OF THIS AGREEMENT.

Altech Offers a Large Selection of Automation and Control Components

Circuit Protection Devices



Altech the market leader in UL508 Manual Motor Controllers/ Miniature Circuit Breakers now introduces UL489 Miniature Circuit Breakers and UL1077 Supplementary Protectors. The UL489 versions are DIN rail mounted, 17.5mm wide, thermal magnetic, 240V, 480Y/277V AC, 50/60Hz, 125 and 250 VDC models, with short circuit interrupt capacity of 10kA, a positive trip indicator, and are line/load reversible. The UL1077 versions are DIN rail mounted, 17.5mm wide, thermal magnetic, 480Y/277V AC, 50/60Hz, a short circuit withstand capacity 10kA, have a positive trip indicator.

Altech Corp.[®]
 35 Royal Rd., Flemington, NJ 08822
 908-806-9400
 FAX 908-806-9490
www.altechcorp.com

Industrial Enclosures



Altech offers a broad selection of non-metallic and aluminum Industrial Enclosures to meet your diverse design requirements. Sizes range from 1.97 x 2.05 x 1.38 to 35.43 x 11.81 x 5.59 inches. Materials include polycarbonate, polystyrene, polypropylene, ABS or aluminum. Polycarbonate and aluminum series have been recently expanded. Protection up to IP67 (NEMA 4, 4X). Smooth sidewalls or sidewalls with knockouts. Enclosures can be mounted directly onto a panel, frame or other mounting surfaces. EMI / RFI Coating is available. Competitive cover printing is available. Hinge Kits. Customization available.

Altech Corp.[®]
 35 Royal Rd., Flemington, NJ 08822
 908-806-9400
 FAX 908-806-9490
www.altechcorp.com

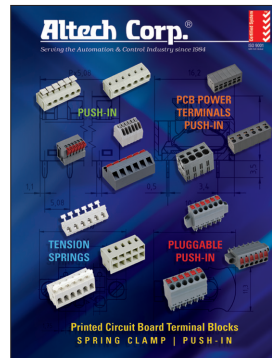
Smart Relays



Supports up to 48 I/Os (32 digital inputs & 16 digital outputs). DST Feature Available. Backlit LCD Screen for display & modification of pre-selected parameters of functional blocks, viewing I/O status and programming on the device. PC software for programming, online & offline simulation, documentation & printing. Designed for use in automation for commercial & Industrial sectors. Modbus Communication. UL 508 (UL File No. E352868), IEC 61000-3-2 and IEC 61000-4-2-1-11. 250 lines of ladder programming. 16 soft text messages, Time Switches, Compare Counters, Timers, Counters & 12 analog functions.

Altech Corp.[®]
 35 Royal Rd., Flemington, NJ 08822
 908-806-9400
www.altechcorp.com

PCB Spring Clamp & Push-In Terminal Blocks



New spring clamp printed circuit board terminal blocks with push-in technology. Fixed push-in PCB terminals, PCB power terminals push-in, tension spring terminals and push-in plugs.

Altech Corp.[®]
 35 Royal Rd., Flemington, NJ 08822
 908-806-9400
www.altechcorp.com

Motor Disconnect Switches



Altech's line of Motor Disconnect Switches are UL 508 listed as Manual Motor Controllers for AC Motor Starting Across-the-line and AC General use. This new 16 page catalog includes the 3 different handle designs, which are all available in gray/black or yellow/red housings. Electrical ratings are 25-150A / 600V. The switches are non-fused DIN Rail mountable. Neat features include: snap-on auxiliary switches, door mounting kit and a retrofit 30A fuse holder. Also featured are Enclosed Motor Disconnect Switches & Fused Enclosed Motor Disconnect Switch (30A) in plastic or stainless housings.

Altech Corp.[®]
 35 Royal Rd., Flemington, NJ 08822
 908-806-9400
www.altechcorp.com

Power Supplies



Altech DIN RAIL mountable power supplies have Universal AC input. They are suitable for industrial and automation applications. UL508 Listed or UL Recognized. Single and Three phases up to 960W. Outputs of 5V, 12V, 15V, 24V and 48V. Class 2 devices are available. Installed on DIN rail TS35/ 7.5 or 15. Protections of Short circuit / Overload / Overvoltage / Over temperature. Cooling by free air convection. All-In-One DC-UPS, battery based. Ultra Capacitor DC-UPS, no battery required. World-wide approvals. 3 year warranty.

Altech Corp.[®]
 35 Royal Rd., Flemington, NJ 08822
 908-806-9400
www.altechcorp.com

X-ON Electronics

Largest Supplier of Electrical and Electronic Components

Click to view similar products for [AC Power Plugs & Receptacles](#) category:

Click to view products by [Altech](#) manufacturer:

Other Similar products are found below :

[739W-X2/03-BACK1](#) [739W-X2/40](#) [85447L](#) [D38999/26WG16HA](#) [1300190002](#) [1300190008](#) [1300190014](#) [1301460003](#) [1301520016](#)
[1300190011](#) [1300190021](#) [1300190023](#) [1301410085](#) [1301440049](#) [1301440073](#) [1301520008](#) [22806](#) [26W47](#) [929662-1](#) [27W81](#) [29W08MB](#)
[GDM 3-17](#) [26W](#) [26W76BLK](#) [27W47](#) [27W48](#) [28W81](#) [29W47MB](#) [HDR-E14FG1+](#) [30-9717-25](#) [5604067](#) [5604434](#) [5604777](#) [5604436](#)
[929665-1](#) [22801](#) [25W47](#) [701W-15/06](#) [701W-20/27](#) [GM 207-3 NBR BLASSBRAUN/LIGHT BROWN](#) [27T76](#) [29T48](#) [739W-20/XX](#)
[1301520018](#) [1301440092](#) [1301410084](#) [1300190032](#) [1300190022](#) [1300190015](#) [1300190013](#)