

GFL Series - 2 Pole, C Trip, 10 mA 10kA UL489 Listed Branch Circuit Breaker with Equipment Ground Fault Protection (RCBO)

The GFL Series range is a combined Branch Circuit Breaker and Equipment Ground Fault Protector, featuring dual pole switching (live disconnect) and designed to provide protection against short circuits, overloads, AC ground faults (residual current faults) as well as pulsating DC ground faults.

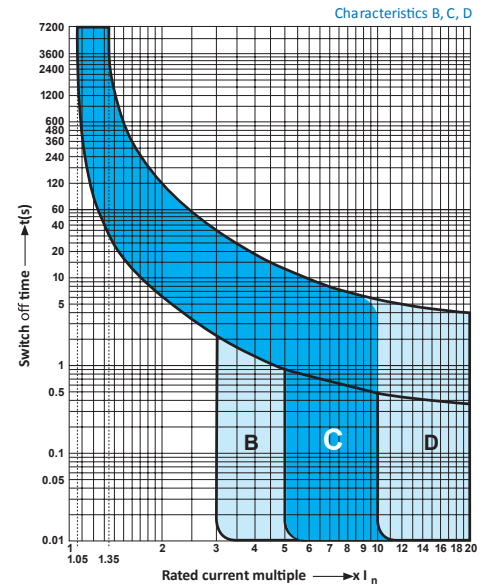


Ordering Information

| Rated Current | Type/ Cat. No. | Rated Voltage |
|---------------|-------------------|---------------|
| 5.0A | GFL2C05010S | 120/240V AC |
| 6.0A | GFL2C06010S | 120/240V AC |
| 8.0A | GFL2C08010S | 120/240V AC |
| 10A | GFL2C10010S | 120/240V AC |
| 12A | GFL2C12010S | 120/240V AC |
| 13A | GFL2C13010S | 120/240V AC |
| 15A | GFL2C15010S | 120/240V AC |
| 16A | GFL2C16010S | 120/240V AC |
| 20A | GFL2C20010S | 120/240V AC |
| 25A | GFL2C25010S | 120/240V AC |

UL 489
Branch Circuit Breaker
with Ground Fault Relay

GFL Series RCBO Overload Trip Curves

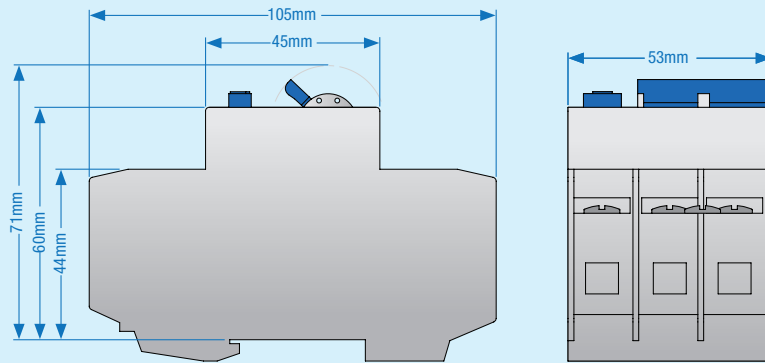


Technical Specification

| | |
|--|---|
| Number of Poles | 2 |
| Voltage Rating (maximum) | 120/240V AC |
| Ground Fault Sensitivity Level | 10 mA |
| Rated Short Circuit Interrupt Capacity | 10 kA |
| Rated Frequency | 50/60Hz |
| Trip Characteristic | C |
| Cable Size & Tightening Torque | Stranded Wire: 16 - 3 AWG (1.5 mm ² - 25 mm ²) @ 17.5 lb-in (2.0 Nm) Solid Wire: 16 - 10 AWG (1.5 mm ² - 5.5 mm ²) @ 17.5 lb-in (2.0 Nm) 18 - 16 AWG (1 mm ² - 1.5 mm ²) @ 25 lb-in (2.8 Nm) |
| Electrical Life | 6000 Switching Operations |
| Mechanical Life | 10000 Switching Operations |

Dimensions

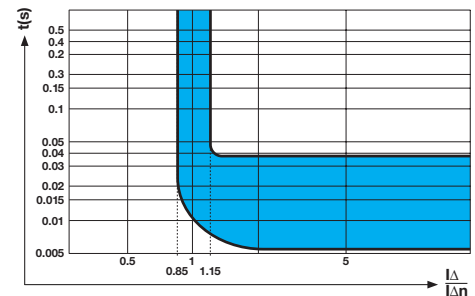
(to convert to inches multiply by 0.03937)



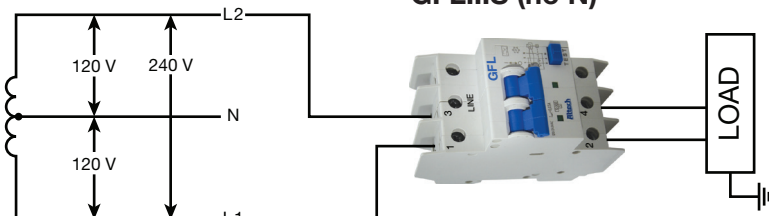
Weight

328 g

GFL Series RCBO Ground Fault Trip Curve



Applicable voltage system
and wiring example.



X-ON Electronics

Largest Supplier of Electrical and Electronic Components

Click to view similar products for [Circuit Breaker Accessories](#) category:

Click to view products by [Altech](#) manufacturer:

Other Similar products are found below :

[CSC-403PS](#) [8T1-D-11A](#) [B151-7184-L](#) [NEB10](#) [8C1-C-721](#) [8T1-E-115](#) [8T1-E-275](#) [8T1-E-278](#) [4-1393247-8](#) [4-1393247-9](#) [506-11315-001](#)
[3803221](#) [3803231](#) [NEB6](#) [X10506BF](#) [NES](#) [9-1393249-0](#) [802-ESB50UL489](#) [3RV2011-1CA15](#) [607.5689.127](#) [30.329](#) [CA707/TS/01](#)
[11-32-2733](#) [X10508BF](#) [X22261102](#) [975090700](#) [CX2.5/4/O](#) [975090701](#) [PS-2P](#) [Y30019003](#) [C-TEC1225 P](#) [PS-1006](#) [618.6335.069](#)
[975455700](#) [BAC03](#) [930727103](#) [934097101](#) [ZG20-1](#) [934097100](#) [JX2.5/4](#) [KEM380CUL](#) [CC848756916](#) [JX2.5/6](#) [JX2.5/5](#) [HSP6/10U](#)
[DMRBU BLACK BOX](#) [DB16/BU](#) [DB16/BL](#) [CM2.5S2](#) [973604100](#)