

GFR Series - 3Pole+N, B Trip, 100 mA
480Y/277V AC Ground Fault Relay
with Overload Protection (RCBO)

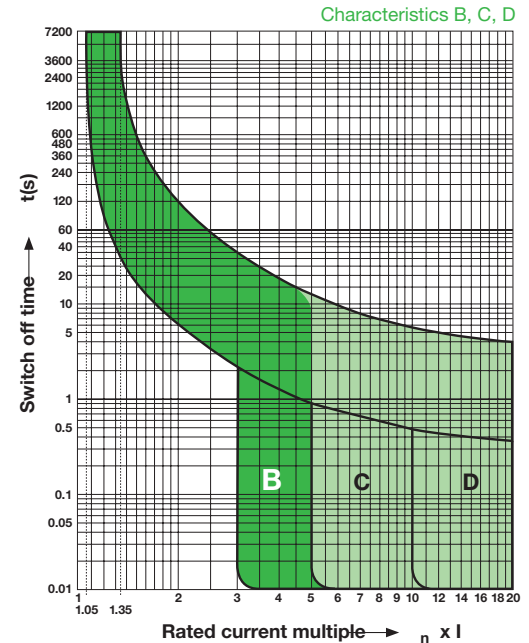
The GFR Series is a combined Equipment Ground Fault Relay and Supplementary Protector (RCBO), featuring dual pole switching (live and neutral) and designed to provide protection against overloads and AC ground faults (residual current faults) as well as pulsating DC ground faults.



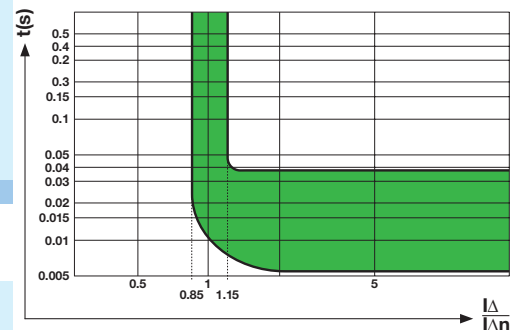
Ordering Information

Rated Current	Type/ Cat. No.	Rated Voltage
5.0A	GFR4B05100	480Y/277V AC
6.0A	GFR4B06100	480Y/277V AC
8.0A	GFR4B08100	480Y/277V AC
10A	GFR4B10100	480Y/277V AC
12A	GFR4B12100	480Y/277V AC
13A	GFR4B13100	480Y/277V AC
15A	GFR4B15100	480Y/277V AC
16A	GFR4B16100	480Y/277V AC
20A	GFR4B20100	480Y/277V AC
25A	GFR4B25100	480Y/277V AC
30A	GFR4B30100	480Y/277V AC
32A	GFR4B32100	480Y/277V AC
35A	GFR4B35100	480Y/277V AC
40A	GFR4B40100	480Y/277V AC

GFR Series RCBO
Overload Trip Curves



GFR Series RCBO
Ground Fault Trip Curve

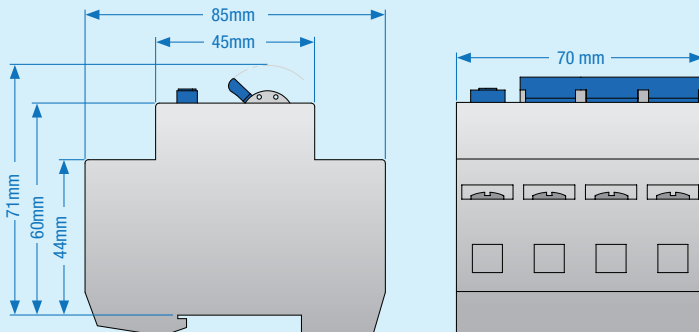


UL 1077
 Ground Fault Relay
 with Overload Protection

Technical Specification

Number of Poles	3+N
Voltage Rating (maximum)	480Y/277V AC
Ground Fault Sensitivity Level	100 mA
Short Circuit Withstand Rating	10 kA
Rated Frequency	50/60Hz
Trip Characteristic	B
Cable Size & Tightening Torque	Stranded Wire: 16 - 3 AWG (1.5 mm ² - 25 mm ²) @ 17.5 lb-in (2.0 Nm) Solid Wire: 16 - 10 AWG (1.5 mm ² - 5.5 mm ²) @ 17.5 lb-in (2.0 Nm) 18 - 16 AWG (1 mm ² - 1.5 mm ²) @ 25 lb-in (2.8 Nm)
Electrical Life	6000 Switching Operations
Mechanical Life	10000 Switching Operations

Dimensions
 (to convert to inches multiply by 0.03937)

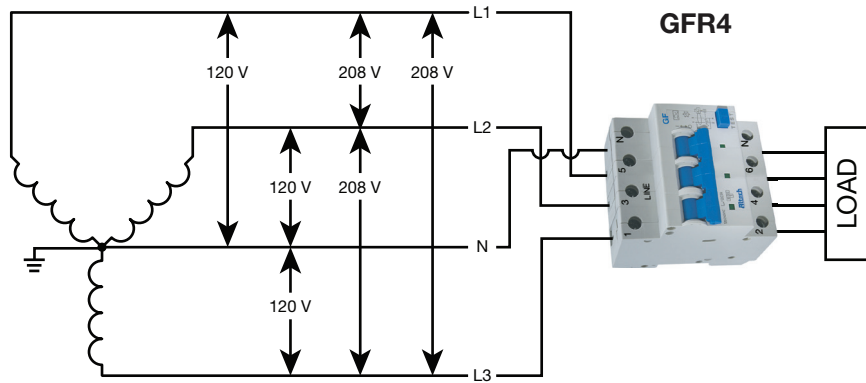
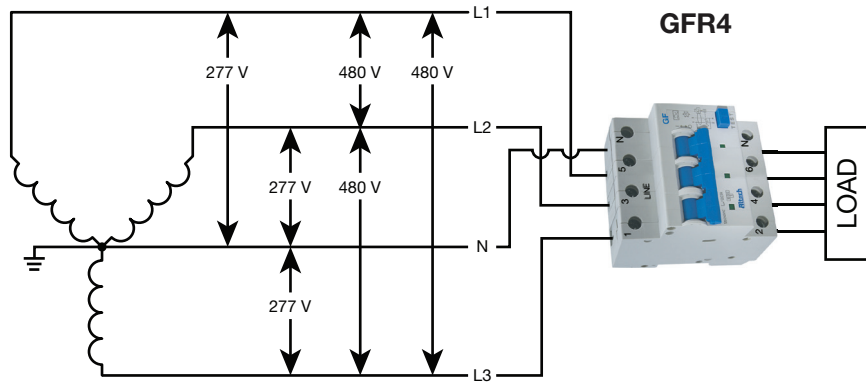


Weight 217 g

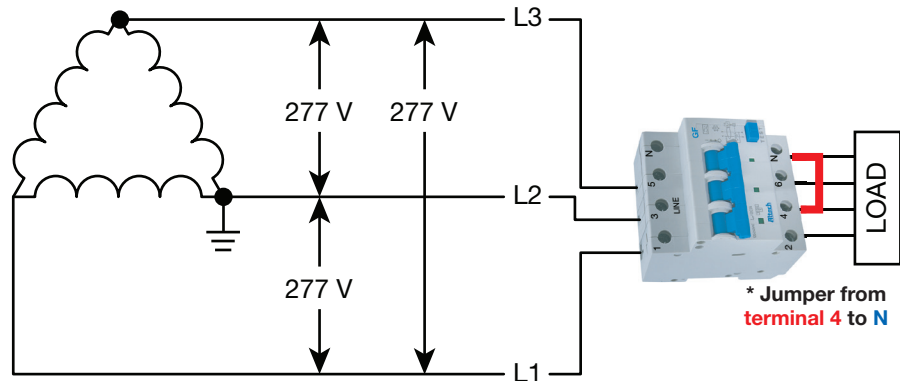
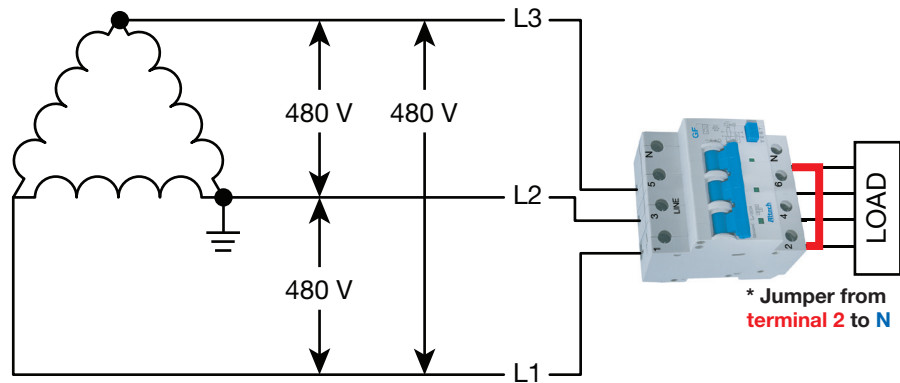
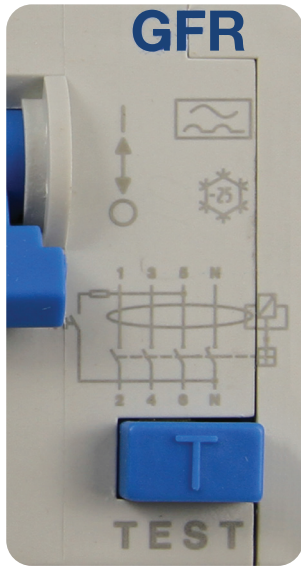
GFR Series RCBO Short Circuit Withstand Rating

V	I	IR	Backup
3+N Pole	≤20A	10kA	None
480Y/277V AC	>20A	10kA	Class J Fuse 250A or lower Altech L Series Branch Circuit Breaker Altech R Series Supplementary Protector

GFR Series - 3 Pole+N, B Trip, 100 mA
 Applicable voltage systems and wiring examples.



UL 1077
 Ground Fault Relay
 with Overload Protection



* Either jumper connection can be used for both voltage configurations.

X-ON Electronics

Largest Supplier of Electrical and Electronic Components

Click to view similar products for [Circuit Breaker Accessories](#) category:

Click to view products by [Altech](#) manufacturer:

Other Similar products are found below :

[CSC-403PS](#) [8T1-D-11A](#) [B151-7184-L](#) [NEB10](#) [8C1-C-721](#) [8T1-E-115](#) [8T1-E-275](#) [8T1-E-278](#) [506-11315-001](#) [3803221](#) [X10506BF](#) [NES 9-](#)
[1393249-0](#) [802-ESB50UL489](#) [XFPB-4](#) [30.329](#) [X22261102](#) [CX2.5/4/O](#) [Y30019003](#) [PS-1006](#) [618.6335.069](#) [BAC03](#) [JX2.5/4](#) [JX2.5/6](#)
[JX2.5/5](#) [HSP6/10U](#) [DMRBU BLACK BOX](#) [DB16/BU](#) [CM2.5S2](#) [932146100](#) [930120000](#) [601.1231.909](#) [3PRG1](#) [3PLBR4LU](#) [351.5900.149](#)
[311.2850.340](#) [2624.0](#) [17BSSV](#) [1-1423696-8](#) [LS3-WH](#) [BAC12](#) [Y30028402](#) [30.617](#) [8T1-E-114](#) [SF06-5,08](#) [2LP199](#) [ZG20-2](#) [3PSML401](#)
[3PSML402](#) [2LP219](#)