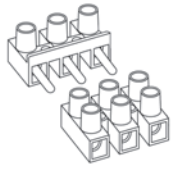


OVERVIEW

SCREW CLAMP CONNECTION TECHNOLOGY



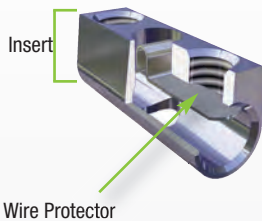
- Quick and Efficient Wire-to-Wire connection solution
- Modern Replacement for traditional Double-Row Barrier Style Terminal Blocks
- Touch-proof design to eliminate shorts
- Available in 12 poles or precut to required number of poles
- Easy to cut to length by using hacksaw or utility knife
- Safe, Gas-tight connection
- Reliable connection utilizing a precision machined tubular screw clamp insert
- Accessories for convenient wire installation and usage



SELECTION GUIDE

HE SERIES with wire protector

MATERIAL SPECIFICATIONS



Current Carrying Metal
Corrosion free material

- Insert: Tinned Brass
- Screw: Blue chromated steel
- Wire protector: Stainless Steel

Terminal Block Housing

- Polyamide PA66 Housing
- Self-extinguishing
- High mechanical strength

Polyamide 66 Specifications

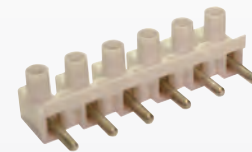
- Upper Temperature Limit: 125°C
- Lower Temperature Limit: -30°C
- Flammability UL94: V0



HE Series Flat Base 300V
page 96-97



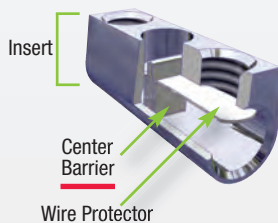
HEH Series Standoff Feet 600V
page 98-99



HE42 Series Pluggable 300V, 600V
page 100-101

ATS SERIES with wire protector - Center Barrier

MATERIAL SPECIFICATIONS



Current Carrying Metal
Corrosion free material

- Insert: Nickel-plated copper alloy
- Screw: yellow chromated steel
- Wire protector: Stainless Steel
- Middle Barrier: Stainless Steel

Terminal Block Housing

- Polyamide PA66 Housing
- Self-extinguishing
- High mechanical strength

Polyamide 66 Specifications

- Upper Temperature Limit: 125°C
- Lower Temperature Limit: -30°C
- Flammability UL94: V0



ATS Series Flat Base 300V
page 102



ATSF Series Standoff Feet 600V
page 103

ACCESSORIES



Jumpers, Separation Plates, Marking Pins, Imprinting
page 104-105

HIGHLIGHTS

FEATURES

- 300V up to 63A
- Cost effective reliable wire-to-wire solution
- Easy to use double-row terminal strips
- Panel mount or free float
- Finger safe metal parts
- Wire protector
- easy to cut to required pole configuration
- Pre cut version in stock
- Color: white

APPLICATIONS

- HVAC
- Appliances
- Equipment
- Power Distribution
- Junction Boxes
- Cost effective alternative to barrier strips



Dimensions & Weight

| | | |
|----------------------------|--------|--------|
| Pitch Spacing | 8 mm | 10 mm |
| Weight per piece (12 pole) | 16.2 g | 31.6 g |

Technical Data/Ratings

| | | | | |
|------------------------------|----------------------|-----------------------|----------------------|-----------------------|
| Approvals | | | | |
| Wire Size (solid / stranded) | 24-12 AWG | 1-2.5 mm ² | 24-10 AWG | 2.5-4 mm ² |
| Voltage Rating | 300 V | 400 V | 300 V | 400 V |
| Current Rating | 20 A | 6 A | 30 A | 10 A |
| Torque | 4.4 lb-in | 0.35 Nm | 7.0 lb-in | 0.4 Nm |
| Insulation Material | Polyamide 66/6 V0 | | Polyamide 66/6 V0 | |
| Insert Material | Tinned Brass | | Tinned Brass | |
| Terminal Screw Material | Blue Chromated Steel | | Blue Chromated Steel | |

Installation Instructions

| | | |
|------------------------|--------|--------|
| Wire Stripping Length | 5 mm | 6 mm |
| Mounting Hole Diameter | 3.0 mm | 3.6 mm |
| Terminal Screw Size | M2.6 | M3 |

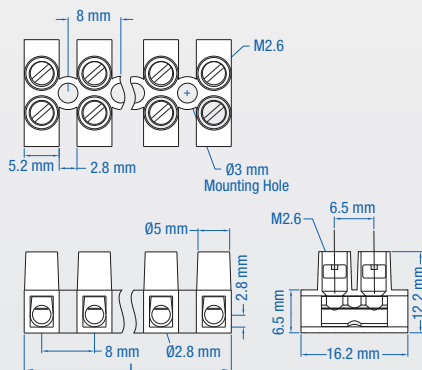
Terminal Strips

| | Cat. No. | Length | Std. Pk. | Cat. No. | Length | Std. Pk. |
|---------|-----------|---------|----------|-----------|----------|----------|
| 2 pole | HE1WPR/02 | 13.2 mm | 100 | HE4WPR/02 | 16.4 mm | 100 |
| 3 pole | HE1WPR/03 | 21.2 mm | 100 | HE4WPR/03 | 26.4 mm | 100 |
| 4 pole | HE1WPR/04 | 29.2 mm | 100 | HE4WPR/04 | 36.4 mm | 100 |
| 5 pole | HE1WPR/05 | 37.2 mm | 100 | HE4WPR/05 | 46.4 mm | 100 |
| 6 pole | HE1WPR/06 | 45.2 mm | 50 | HE4WPR/06 | 56.4 mm | 50 |
| 7 pole | HE1WPR/07 | 53.2 mm | 50 | HE4WPR/07 | 66.4 mm | 50 |
| 8 pole | HE1WPR/08 | 61.2 mm | 50 | HE4WPR/08 | 76.4 mm | 50 |
| 9 pole | HE1WPR/09 | 69.2 mm | 50 | HE4WPR/09 | 86.4 mm | 50 |
| 10 pole | HE1WPR/10 | 77.2 mm | 50 | HE4WPR/10 | 96.4 mm | 50 |
| 11 pole | HE1WPR/11 | 85.2 mm | 50 | HE4WPR/11 | 106.4 mm | 50 |
| 12 pole | HE1WPR/12 | 93.2 mm | 50 | HE4WPR/12 | 116.4 mm | 50 |

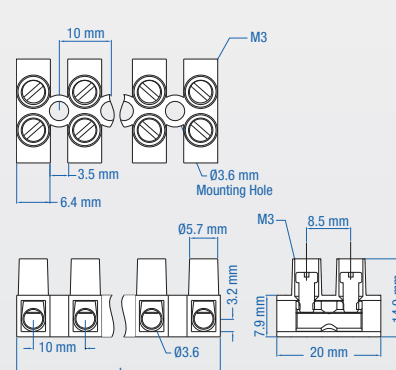
Accessories

| | Cat. No. | Std. Pk. | Cat. No. | Std. Pk. |
|------------------|-----------------|----------|-------------|----------|
| External Jumpers | 2 pole HCL8-2 | 100 | HCL10-2 | 100 |
| | 3 pole HCL8-3 | 100 | HCL10-3 | 100 |
| | 4 pole HCL8-4 | 100 | HCL10-4 | 100 |
| | 12 pole HCL8-12 | 25 | HCL10-12 | 25 |
| Marking Plates | Blank | - | BS24E | 25 |
| | No. 1-12 | - | BS24EM1-12 | 25 |
| | No. 13-24 | - | BS24EM13-24 | 25 |

HE1 DIMENSIONS



HE4 DIMENSIONS



(All dimensions are shown in mm, to convert to inches please divide by 25.4)



Dimensions & Weight

| | | | |
|----------------------------|--------|--------|--------|
| Pitch Spacing | 12 mm | 15 mm | 15 mm |
| Weight per piece (12 pole) | 47.0 g | 95.5 g | 94.5 g |

Technical Data/Ratings

| | | | | | | |
|------------------------------|----------------------|---------------------|----------------------|----------------------|----------------------|-----------------------|
| Approvals | | | | | | |
| Wire Size (solid / stranded) | 20-10 AWG | 4-6 mm ² | 18-8 AWG | 6-10 mm ² | 18-6 AWG | 10-16 mm ² |
| Voltage Rating | 300 V | 400 V | 300 V | 400 V | 300 V | 400 V |
| Current Rating | 40 A | 16 A | 50 A | 25 A | 63 A | 35 A |
| Torque | 7.0 lb-in | 0.55 Nm | 10.6 lb-in | 0.84 Nm | 17.7 lb-in | 1.4 Nm |
| Insulation Material | Polyamide 66/6 V0 | | Polyamide 66/6 V0 | | Polyamide 66/6 V0 | |
| Insert Material | Tinned Brass | | Tinned Brass | | Tinned Brass | |
| Terminal Screw Material | Blue Chromated Steel | | Blue Chromated Steel | | Blue Chromated Steel | |

Installation Instructions

| | | | |
|------------------------|--------|--------|--------|
| Wire Stripping Length | 7 mm | 8.5 mm | 8.5 mm |
| Mounting Hole Diameter | 4.2 mm | 4.5 mm | 4.5 mm |
| Terminal Screw Size | M3.5 | M4 | M5 |

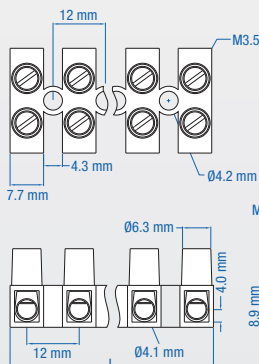
Terminal Strips

| | Cat. No. | Length | Std. Pk. | Cat. No. | Length | Std. Pk. | Cat. No. | Length | Std. Pk. |
|---------|-----------|----------|----------|------------|----------|----------|------------|----------|----------|
| 2 pole | HE6WPR/02 | 19.8 mm | 100 | HE10WPR/02 | 24.2 mm | 50 | HE16WPR/02 | 24.2 mm | 50 |
| 3 pole | HE6WPR/03 | 31.8 mm | 100 | HE10WPR/03 | 39.2 mm | 50 | HE16WPR/03 | 39.2 mm | 50 |
| 4 pole | HE6WPR/04 | 43.8 mm | 100 | HE10WPR/04 | 54.2 mm | 50 | HE16WPR/04 | 54.2 mm | 50 |
| 5 pole | HE6WPR/05 | 55.8 mm | 100 | HE10WPR/05 | 69.2 mm | 50 | HE16WPR/05 | 69.2 mm | 50 |
| 6 pole | HE6WPR/06 | 67.8 mm | 50 | HE10WPR/06 | 84.2 mm | 25 | HE16WPR/06 | 84.2 mm | 25 |
| 7 pole | HE6WPR/07 | 79.8 mm | 50 | HE10WPR/07 | 99.2 mm | 25 | HE16WPR/07 | 99.2 mm | 25 |
| 8 pole | HE6WPR/08 | 91.8 mm | 50 | HE10WPR/08 | 114.2 mm | 25 | HE16WPR/08 | 114.2 mm | 25 |
| 9 pole | HE6WPR/09 | 103.8 mm | 50 | HE10WPR/09 | 129.2 mm | 25 | HE16WPR/09 | 129.2 mm | 25 |
| 10 pole | HE6WPR/10 | 115.8 mm | 25 | HE10WPR/10 | 144.2 mm | 10 | HE16WPR/10 | 144.2 mm | 10 |
| 11 pole | HE6WPR/11 | 127.8 mm | 25 | HE10WPR/11 | 159.2 mm | 10 | HE16WPR/11 | 159.2 mm | 10 |
| 12 pole | HE6WPR/12 | 139.8 mm | 25 | HE10WPR/12 | 174.2 mm | 10 | HE16WPR/12 | 174.2 mm | 10 |

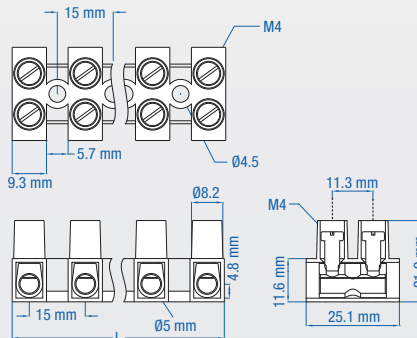
Accessories

| | Cat. No. | Std. Pk. | Cat. No. | Std. Pk. | Cat. No. | Std. Pk. |
|------------------|-----------------------|----------|---------------|----------|---------------|----------|
| External Jumpers | 2 pole HCL12-2 | 100 | HCL15-2 | 100 | HCL15-2 | 100 |
| | 3 pole HCL12-3 | 100 | HCL15-3 | 100 | HCL15-3 | 100 |
| | 4 pole HCL12-4 | 100 | HCL15-4 | 100 | HCL15-4 | 100 |
| | 12 pole HCL12-12 | 25 | HCL15-12 | 25 | HCL15-12 | 25 |
| Marking Plates | Blank BS60E | 25 | BS1016E | 25 | BS1016E | 25 |
| | No. 1-12 BS60EM1-12 | 25 | BS1016EM1-12 | 25 | BS1016EM1-12 | 25 |
| | No. 13-24 BS60EM13-24 | 25 | BS1016EM13-24 | 25 | BS1016EM13-24 | 25 |

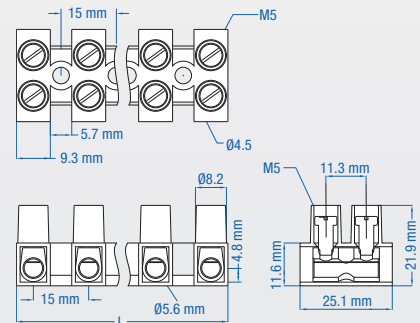
HE6 DIMENSIONS



HE10 DIMENSIONS



HE16 DIMENSIONS



(All dimensions are shown in mm, to convert to inches please divide by 25.4)

HIGHLIGHTS

FEATURES

- 600V up to 63A
- Cost effective reliable wire-to-wire solution
- Easy to use double-row terminal strips
- Panel mount or free float
- Finger safe metal parts
- Wire protector
- easy to cut to required pole configuration
- Pre cut version in stock
- Color: white

APPLICATIONS

- HVAC
- Appliances
- Equipment
- Power Distribution
- Junction Boxes
- Cost effective alternative to barrier strips



Dimensions & Weight

| | | |
|----------------------------|--------|--------|
| Pitch Spacing | 8 mm | 10 mm |
| Weight per piece (12 pole) | 17.2 g | 33.0 g |

Technical Data/Ratings

| | | | | |
|------------------------------|----------------------|-----------------------|----------------------|-----------------------|
| Approvals | | | | |
| Wire Size (solid / stranded) | 24-12 AWG | 1-2.5 mm ² | 24-10 AWG | 2.5-4 mm ² |
| Voltage Rating | 600 V | 500 V | 600 V | 500 V |
| Current Rating | 20 A | 6 A | 30 A | 10 A |
| Torque | 4.4 lb-in | 0.35 Nm | 7.0 lb-in | 0.4 Nm |
| Insulation Material | Polyamide 66/6 V0 | | Polyamide 66/6 V0 | |
| Insert Material | Tinned Brass | | Tinned Brass | |
| Screw Material | Blue Chromated Steel | | Blue Chromated Steel | |

Installation Instructions

| | | |
|------------------------|--------|--------|
| Wire Stripping Length | 5 mm | 6 mm |
| Mounting Hole Diameter | 3.0 mm | 3.6 mm |
| Terminal Screw Size | M2.6 | M3 |

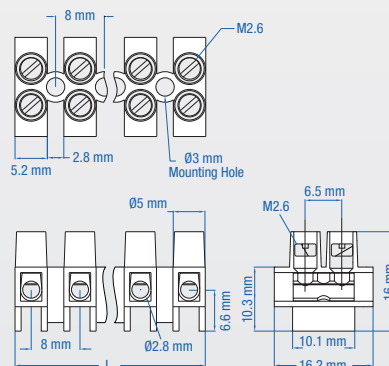
Terminal Strips

| | Cat. No. | Length | Std. Pk. | Cat. No. | Length | Std. Pk. |
|---------|------------|---------|----------|-------------|----------|----------|
| 2 pole | HE1HWPR/02 | 13.2 mm | 100 | HE4HNWPR/02 | 16.4 mm | 100 |
| 3 pole | HE1HWPR/03 | 21.2 mm | 100 | HE4HNWPR/03 | 26.4 mm | 100 |
| 4 pole | HE1HWPR/04 | 29.2 mm | 100 | HE4HNWPR/04 | 36.4 mm | 100 |
| 5 pole | HE1HWPR/05 | 37.2 mm | 100 | HE4HNWPR/05 | 46.4 mm | 100 |
| 6 pole | HE1HWPR/06 | 45.2 mm | 50 | HE4HNWPR/06 | 56.4 mm | 50 |
| 7 pole | HE1HWPR/07 | 53.2 mm | 50 | HE4HNWPR/07 | 66.4 mm | 50 |
| 8 pole | HE1HWPR/08 | 61.2 mm | 50 | HE4HNWPR/08 | 76.4 mm | 50 |
| 9 pole | HE1HWPR/09 | 69.2 mm | 50 | HE4HNWPR/09 | 86.4 mm | 50 |
| 10 pole | HE1HWPR/10 | 77.2 mm | 50 | HE4HNWPR/10 | 96.4 mm | 50 |
| 11 pole | HE1HWPR/11 | 85.2 mm | 50 | HE4HNWPR/11 | 106.4 mm | 50 |
| 12 pole | HE1HWPR/12 | 93.2 mm | 50 | HE4HNWPR/12 | 116.4 mm | 50 |

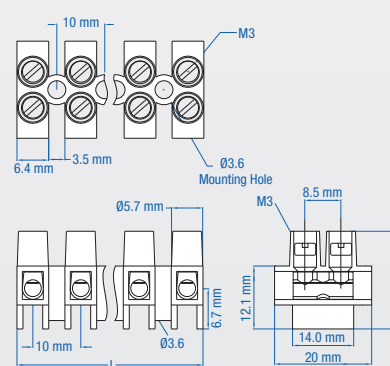
Accessories

| | Cat. No. | Std. Pk. | Cat. No. | Std. Pk. |
|---------------------|-----------------|----------|-------------|----------|
| External Jumpers | 2 pole HCL8-2 | 100 | HCL10-2 | 100 |
| | 3 pole HCL8-3 | 100 | HCL10-3 | 100 |
| | 4 pole HCL8-4 | 100 | HCL10-4 | 100 |
| | 12 pole HCL8-12 | 25 | HCL10-12 | 25 |
| | Marking Plates | Blank | - | BS24E |
| No. 1-12 | | - | BS24EM1-12 | 25 |
| No. 13-24 | | - | BS24EM13-24 | 25 |
| Isolation Partition | - | - | HEP4/6H | 5 |
| Mounting Pins | - | - | H4 | 50 |

HE1H DIMENSIONS



HE4HN DIMENSIONS



(All dimensions are shown in mm, to convert to inches please divide by 25.4)

HE6H



HE10H



HE16H



Dimensions & Weight

| | | | |
|----------------------------|--------|--------|--------|
| Pitch Spacing | 12 mm | 15 mm | 15 mm |
| Weight per piece (12 pole) | 49.1 g | 98.7 g | 99.3 g |

Technical Data/Ratings

| | | | | | | |
|------------------------------|----------------------|---------------------|----------------------|----------------------|----------------------|-----------------------|
| Approvals | | | | | | |
| | 20-10 AWG | 4-6 mm ² | 18-8 AWG | 6-10 mm ² | 18-6 AWG | 10-16 mm ² |
| Wire Size (solid / stranded) | 20-10 AWG | 4-6 mm ² | 18-8 AWG | 6-10 mm ² | 18-6 AWG | 10-16 mm ² |
| Voltage Rating | 600 V | 500 V | 600 V | 500 V | 600 V | 500 V |
| Current Rating | 40 A | 16 A | 50 A | 25 A | 63 A | 35 A |
| Torque | 7.0 lb-in | 0.55 Nm | 7.6 lb-in | 0.84 Nm | 17.7 lb-in | 1.4 Nm |
| Insulation Material | Polyamide 66/6 V0 | | Polyamide 66/6 V0 | | Polyamide 66/6 V0 | |
| Insert Material | Tinned Brass | | Tinned Brass | | Tinned Brass | |
| Terminal Screw Material | Blue Chromated Steel | | Blue Chromated Steel | | Blue Chromated Steel | |

Installation Instructions

| | | | |
|------------------------|--------|--------|--------|
| Wire Stripping Length | 5 mm | 6 mm | 6 mm |
| Mounting Hole Diameter | 4.2 mm | 4.5 mm | 4.5 mm |
| Terminal Screw Size | M3.5 | M4 | M5 |

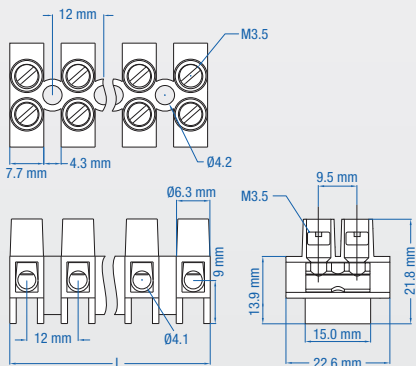
Terminal Strips

| | Cat. No. | Length | Std. Pk. | Cat. No. | Length | Std. Pk. | Cat. No. | Length | Std. Pk. |
|---------|------------|----------|----------|-------------|----------|----------|-------------|----------|----------|
| 2 pole | HE6HWPR/02 | 19.8 mm | 100 | HE10HWPR/02 | 24.2 mm | 40 | HE16HWPR/02 | 24.2 mm | 40 |
| 3 pole | HE6HWPR/03 | 31.8 mm | 100 | HE10HWPR/03 | 39.2 mm | 40 | HE16HWPR/03 | 39.2 mm | 40 |
| 4 pole | HE6HWPR/04 | 43.8 mm | 100 | HE10HWPR/04 | 54.2 mm | 40 | HE16HWPR/04 | 54.2 mm | 40 |
| 5 pole | HE6HWPR/05 | 55.8 mm | 100 | HE10HWPR/05 | 69.2 mm | 40 | HE16HWPR/05 | 69.2 mm | 40 |
| 6 pole | HE6HWPR/06 | 67.8 mm | 50 | HE10HWPR/06 | 84.2 mm | 20 | HE16HWPR/06 | 84.2 mm | 20 |
| 7 pole | HE6HWPR/07 | 79.8 mm | 50 | HE10HWPR/07 | 99.2 mm | 20 | HE16HWPR/07 | 99.2 mm | 20 |
| 8 pole | HE6HWPR/08 | 91.8 mm | 50 | HE10HWPR/08 | 114.2 mm | 20 | HE16HWPR/08 | 114.2 mm | 20 |
| 9 pole | HE6HWPR/09 | 103.8 mm | 50 | HE10HWPR/09 | 129.2 mm | 10 | HE16HWPR/09 | 129.2 mm | 10 |
| 10 pole | HE6HWPR/10 | 115.8 mm | 25 | HE10HWPR/10 | 144.2 mm | 10 | HE16HWPR/10 | 144.2 mm | 10 |
| 11 pole | HE6HWPR/11 | 127.8 mm | 25 | HE10HWPR/11 | 159.2 mm | 10 | HE16HWPR/11 | 159.2 mm | 10 |
| 12 pole | HE6HWPR/12 | 139.8 mm | 25 | HE10HWPR/12 | 174.2 mm | 10 | HE16HWPR/12 | 174.2 mm | 10 |

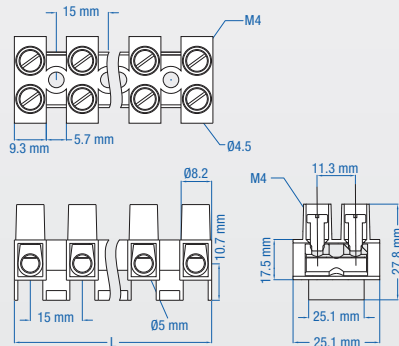
Accessories

| | Cat. No. | Std. Pk. | Cat. No. | Std. Pk. | Cat. No. | Std. Pk. | |
|---------------------|----------------|-------------|----------|----------|----------|----------|-----|
| External Jumpers | 2 pole | HCL12-2 | 100 | HCL15-2 | 100 | HCL15-2 | 100 |
| | 3 pole | HCL12-3 | 100 | HCL15-3 | 100 | HCL15-3 | 100 |
| | 4 pole | HCL12-4 | 100 | HCL15-4 | 100 | HCL15-4 | 100 |
| | 12 pole | HCL12-12 | 25 | HCL15-12 | 25 | HCL15-12 | 25 |
| | Marking Plates | Blank | BS60E | 25 | - | - | - |
| No. 1-12 | | BS60EM1-12 | 25 | - | - | - | |
| No. 13-24 | | BS60EM13-24 | 25 | - | - | - | |
| Isolation Partition | HEP4/6H | 5 | - | - | - | | |
| Mounting Pins | H6 | 50 | - | - | - | | |

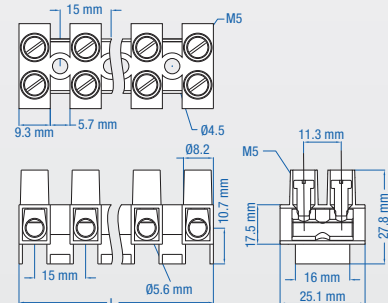
HE6H DIMENSIONS



HE10H DIMENSIONS



HE16H DIMENSIONS



(All dimensions are shown in mm, to convert to inches please divide by 25.4)

HE42SST

HE42SBU

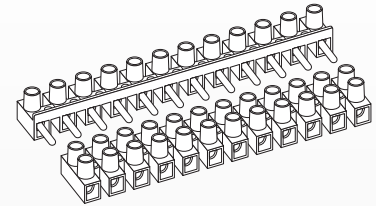


Dimensions & Weight

| | | |
|----------------------------|--------|--------|
| Pitch Spacing | 10 mm | 10 mm |
| Weight per piece (12 pole) | 30.6 g | 30.4 g |

Technical Data/Ratings

| | | | | |
|------------------------------|----------------------|-----------------------|----------------------|-----------------------|
| Approvals | | | | |
| | 24-10 AWG | 2.5-4 mm ² | 24-10 AWG | 2.5-4 mm ² |
| Wire Size (solid / stranded) | 24-10 AWG | 2.5-4 mm ² | 24-10 AWG | 2.5-4 mm ² |
| Voltage Rating | 600 V | 500 V | 600 V | 500 V |
| Current Rating | 20 A | 10 A | 20 A | 10 A |
| Torque | 7.0 lb-in | 0.4 Nm | 7.0 lb-in | 0.4 Nm |
| Insulation Material | Polyamide 66/6 V0 | | Polyamide 66/6 V0 | |
| Insert Material | Tinned Brass | | Tinned Brass | |
| Terminal Screw Material | Blue Chromated Steel | | Blue Chromated Steel | |



Installation Instructions

| | | |
|------------------------|--------|--------|
| Wire Stripping Length | 7 mm | 6 mm |
| Mounting Hole Diameter | 3.0 mm | 3.6 mm |
| Terminal Screw Size | M3.5 | M4 |

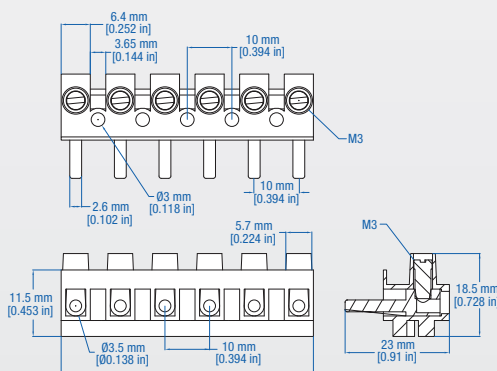
Terminal Strips

| | Cat. No. | Length | Std. Pk. | Cat. No. | Length | Std. Pk. |
|---------|------------|----------|----------|------------|----------|----------|
| 2 pole | HE42SST/02 | 16.4 mm | 100 | HE42SBU/02 | 16.4 mm | 100 |
| 3 pole | HE42SST/03 | 26.4 mm | 100 | HE42SBU/03 | 26.4 mm | 100 |
| 4 pole | HE42SST/04 | 36.4 mm | 100 | HE42SBU/04 | 36.4 mm | 100 |
| 5 pole | HE42SST/05 | 46.4 mm | 100 | HE42SBU/05 | 46.4 mm | 100 |
| 6 pole | HE42SST/06 | 56.4 mm | 50 | HE42SBU/06 | 56.4 mm | 50 |
| 7 pole | HE42SST/07 | 66.4 mm | 50 | HE42SBU/07 | 66.4 mm | 50 |
| 8 pole | HE42SST/08 | 76.4 mm | 50 | HE42SBU/08 | 76.4 mm | 50 |
| 9 pole | HE42SST/09 | 86.4 mm | 50 | HE42SBU/09 | 86.4 mm | 50 |
| 10 pole | HE42SST/10 | 96.4 mm | 50 | HE42SBU/10 | 96.4 mm | 50 |
| 11 pole | HE42SST/11 | 106.4 mm | 50 | HE42SBU/11 | 106.4 mm | 50 |
| 12 pole | HE42SST/12 | 116.4 mm | 50 | HE42SBU/12 | 116.4 mm | 50 |

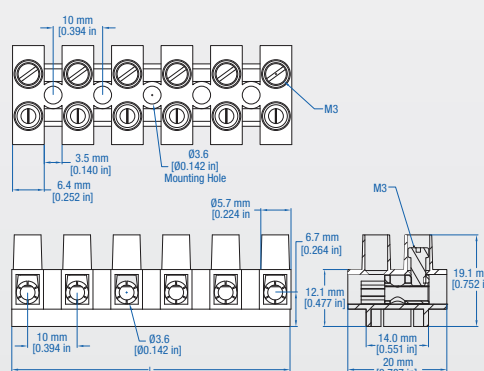
Accessories

| | Cat. No. | Std. Pk. | Cat. No. | Std. Pk. |
|------------------|-----------------------|----------|-------------|----------|
| External Jumpers | 2 pole HCL10-2 | 100 | HCL10-2 | 100 |
| | 3 pole HCL10-3 | 100 | HCL10-3 | 100 |
| | 4 pole HCL10-4 | 100 | HCL10-4 | 100 |
| | 12 pole HCL10-12 | 25 | HCL10-12 | 25 |
| Marking Plates | Blank BS24E | 25 | BS24E | 25 |
| | No. 1-12 BS24EM1-12 | 25 | BS24EM1-12 | 25 |
| | No. 13-24 BS24EM13-24 | 25 | BS24EM13-24 | 25 |

HE42SST DIMENSIONS



HE42SBU DIMENSIONS



(All dimensions are shown in mm, to convert to inches please divide by 25.4)

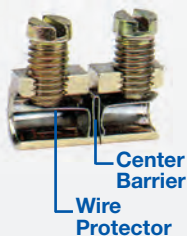
HIGHLIGHTS

FEATURES

- Center Barrier / Wire Protector
- 300V/600V up to 63A
- Cost effective reliable wire-to-wire solution
- Easy to use double-row terminal strips
- Panel mount or free float
- Finger safe metal parts
- Wire protector
- easy to cut to required pole configuration
- Pre cut version in stock
- Color: translucent white

APPLICATIONS

- HVAC
- Appliances
- Equipment
- Power Distribution
- Junction Boxes
- Cost effective alternative to barrier strips



ATS1.5



ATS2.5



ATS6



Dimensions & Weight

| | | | |
|----------------------------|------|-------|-------|
| Pitch Spacing | 8 mm | 10 mm | 12 mm |
| Weight per piece (12 pole) | 22 g | 34 g | 44 g |

Technical Data/Ratings

| | | | | | | | | | | |
|------------------------------|-----------------------------|--------------|-------------------------|-----------------------------|--------------|-----------------------|-----------------------------|--------------|-----------------------|---------------|
| Approvals | CE FI ENEC | C US E496554 | C US 60947-7-1 | IEC 60947-7-1 | C US E496554 | C US 60947-7-1 | IEC 60947-7-1 | C US E496554 | C US 60947-7-1 | IEC 60947-7-1 |
| Wire Size (solid / stranded) | 22-12 AWG | 22-16 AWG | 0.2-1.5 mm ² | 22-10 AWG | 18-12 AWG | 0.2-4 mm ² | 20-8 AWG | 18-10 AWG | 0.2-6 mm ² | |
| Voltage Rating | 300 V | 300 V | 400 V | 300 V | 300 V | 400 V | 300 V | 300 V | 400 V | |
| Current Rating | 20 A | 15 A | 15 A | 30 A | 30 A | 26 A | 40 A | 40 A | 44 A | |
| Torque | 4.4 lb-in / 0.5 Nm | | | 5.3 lb-in / 0.5 Nm | | | 7 lb-in / 0.5 Nm | | | |
| Insulation Material | Polyamide 6.6 | | | Polyamide 6.6 | | | Polyamide 6.6 | | | |
| Insert Material | Nickel Plated Copper Alloy | | | Nickel Plated Copper Alloy | | | Nickel Plated Copper Alloy | | | |
| Terminal Screw Material | Zinc Yellow Chromated Steel | | | Zinc Yellow Chromated Steel | | | Zinc Yellow Chromated Steel | | | |

Installation Instructions

| | | | |
|------------------------|----------------|-----------------|-----------------|
| Wire Stripping Length | 5 mm (0.2 in.) | 6 mm (0.24 in.) | 7 mm (0.28 in.) |
| Mounting Hole Diameter | 2.8 mm | 3.5 mm | 4.4 mm |
| Terminal Screw Size | M2.5 | M3 | M3.5 |

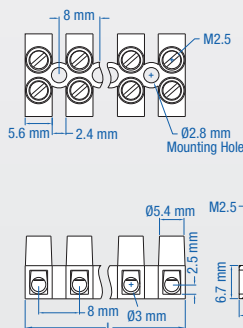
Terminal Blocks

| | Cat. No. | Type | L (mm) | Pk. | Cat. No. | Type | L (mm) | Pk. | Cat. No. | Type | L (mm) | Pk. |
|---------|----------|-----------|---------|-----|----------|-----------|----------|-----|----------|-----------|----------|-----|
| 2 pole | 40.002 | ATS1.5/2 | 13.6 mm | 100 | 40.202 | ATS1.5/2 | 17.0 mm | 100 | 40.402 | ATS1.5/2 | 20.0 mm | 100 |
| 3 pole | 40.003 | ATS1.5/3 | 21.5 mm | 100 | 40.203 | ATS1.5/3 | 27.0 mm | 100 | 40.403 | ATS1.5/3 | 32.0 mm | 100 |
| 4 pole | 40.004 | ATS1.5/4 | 29.5 mm | 100 | 40.204 | ATS1.5/4 | 37.0 mm | 100 | 40.404 | ATS1.5/4 | 44.0 mm | 100 |
| 5 pole | 40.005 | ATS1.5/5 | 37.4 mm | 100 | 40.205 | ATS1.5/5 | 47.0 mm | 100 | 40.405 | ATS1.5/5 | 56.0 mm | 100 |
| 6 pole | 40.006 | ATS1.5/6 | 45.4 mm | 50 | 40.206 | ATS1.5/6 | 57.0 mm | 50 | 40.406 | ATS1.5/6 | 68.0 mm | 50 |
| 7 pole | 40.007 | ATS1.5/7 | 53.3 mm | 50 | 40.207 | ATS1.5/7 | 67.0 mm | 50 | 40.407 | ATS1.5/7 | 80.0 mm | 50 |
| 8 pole | 40.008 | ATS1.5/8 | 61.3 mm | 50 | 40.208 | ATS1.5/8 | 77.0 mm | 50 | 40.408 | ATS1.5/8 | 92.0 mm | 50 |
| 9 pole | 40.009 | ATS1.5/9 | 69.2 mm | 50 | 40.209 | ATS1.5/9 | 87.0 mm | 50 | 40.409 | ATS1.5/9 | 104.0 mm | 50 |
| 10 pole | 40.010 | ATS1.5/10 | 77.2 mm | 50 | 40.210 | ATS1.5/10 | 97.0 mm | 50 | 40.410 | ATS1.5/10 | 116.0 mm | 50 |
| 11 pole | 40.011 | ATS1.5/11 | 85.1 mm | 50 | 40.211 | ATS1.5/11 | 107.0 mm | 50 | 40.411 | ATS1.5/11 | 128.0 mm | 50 |
| 12 pole | 40.012 | ATS1.5/12 | 93.0 mm | 50 | 40.212 | ATS1.5/12 | 117.0 mm | 50 | 40.412 | ATS1.5/12 | 140.0 mm | 50 |

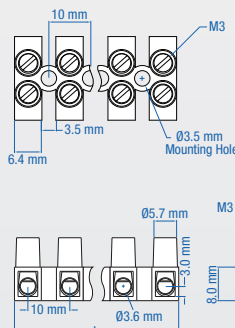
Accessories

| | Cat. No. | Std. Pk. | Cat. No. | Std. Pk. | Cat. No. | Std. Pk. |
|------------------|----------|----------|-------------|----------|-------------|----------|
| External Jumpers | HCL8-2 | 100 | HCL10-2 | 100 | HCL12-2 | 100 |
| | HCL8-3 | 100 | HCL10-3 | 100 | HCL12-3 | 100 |
| | HCL8-4 | 100 | HCL10-4 | 100 | HCL12-4 | 100 |
| | HCL8-12 | 25 | HCL10-12 | 25 | HCL12-12 | 25 |
| Marking Plates | - | - | BS24E | 25 | BS60E | 25 |
| | - | - | BS24EM1-12 | 25 | BS60EM1-12 | 25 |
| | - | - | BS24EM13-24 | 25 | BS60EM13-24 | 25 |

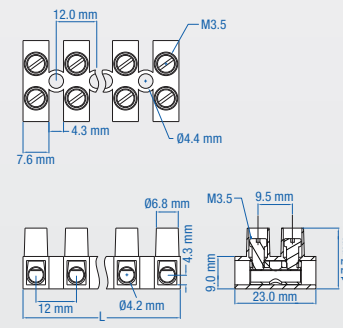
ATS1.5 DIMENSIONS



ATS2.5 DIMENSIONS



ATS6 DIMENSIONS



(All dimensions are shown in mm, to convert to inches please divide by 25.4)

ATSF1.5



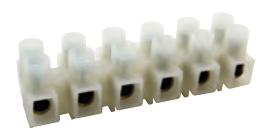
ATSF2.5



ATSF6



ATSF16



Dimensions & Weight

| | | | | |
|----------------------------|------|-------|-------|-------|
| Pitch Spacing | 8 mm | 10 mm | 12 mm | 15 mm |
| Weight per piece (12 pole) | 30 g | 36 g | 50 g | 98 g |

Technical Data/Ratings

| | | | | | | | | | | | | |
|------------------------------|-----------------------------|-----------|-------------------------|-----------------------------|-----------|-----------------------|-----------------------------|-----------|-----------------------|-----------------------------|----------|------------------------|
| Approvals | | | | | | | | | | | | |
| Wire Size (solid / stranded) | 22-12 AWG | 22-16 AWG | 0.2-1.5 mm ² | 22-10 AWG | 18-12 AWG | 0.2-4 mm ² | 20-8 AWG | 18-10 AWG | 0.2-6 mm ² | 14-6 AWG | 18-6 AWG | 0.2-16 mm ² |
| Voltage Rating | 600 V | 600 V | 400 V | 600 V | 600 V | 400 V | 600 V | 600 V | 400 V | 600 V | 600 V | 800 V |
| Current Rating | 20 A | 15 A | 15 A | 30 A | 30 A | 26 A | 40 A | 40 A | 44 A | 63 A | 65 A | 82 A |
| Torque | 4.4 lb-in / 0.5 Nm | | | 5.3 lb-in / 0.6 Nm | | | 7 lb-in / 0.8 Nm | | | 20 lb-in / 2.25 Nm | | |
| Insulation Material | Polyamide 6.6 | | | Polyamide 6.6 | | | Polyamide 6.6 | | | Polyamide 6.6 | | |
| Insert Material | Nickel Plated Copper Alloy | | | Nickel Plated Copper Alloy | | | Nickel Plated Copper Alloy | | | Nickel Plated Copper Alloy | | |
| Terminal Screw Material | Zinc Yellow Chromated Steel | | | Zinc Yellow Chromated Steel | | | Zinc Yellow Chromated Steel | | | Zinc Yellow Chromated Steel | | |

Installation Instructions

| | | | | |
|------------------------|----------------|-----------------|-----------------|-----------------|
| Wire Stripping Length | 5 mm (0.2 in.) | 6 mm (0.24 in.) | 7 mm (0.28 in.) | 8 mm (0.32 in.) |
| Mounting Hole Diameter | 2.8 mm | 3.5 mm | 4.4 mm | 4.2 mm |
| Terminal Screw Size | M2.5 | M3 | M3.5 | M5 |

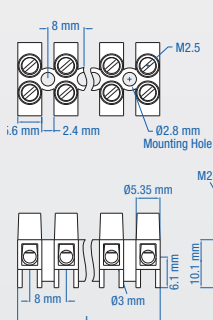
Terminal Blocks

| | Cat. No. | Type | L (mm) | Pk. | Cat. No. | Type | L (mm) | Pk. | Cat. No. | Type | L (mm) | Pk. | Cat. No. | Type | L (mm) | Pk. |
|---------|----------|------------|--------|-----|----------|------------|--------|-----|----------|----------|--------|-----|----------|-----------|--------|-----|
| 2 pole | 40.102 | ATSF1.5/2 | 13.6 | 100 | 40.302 | ATSF2.5/2 | 17.0 | 100 | 40.502 | ATSF6/2 | 20.0 | 100 | 40.702 | ATSF16/2 | 25.0 | 40 |
| 3 pole | 40.103 | ATSF1.5/3 | 21.5 | 100 | 40.303 | ATSF2.5/3 | 27.0 | 100 | 40.503 | ATSF6/3 | 32.0 | 100 | 40.703 | ATSF16/3 | 40.0 | 40 |
| 4 pole | 40.104 | ATSF1.5/4 | 29.5 | 100 | 40.304 | ATSF2.5/4 | 37.0 | 100 | 40.504 | ATSF6/4 | 44.0 | 100 | 40.704 | ATSF16/4 | 55.0 | 40 |
| 5 pole | 40.105 | ATSF1.5/5 | 37.4 | 100 | 40.305 | ATSF2.5/5 | 47.0 | 100 | 40.505 | ATSF6/5 | 56.0 | 100 | 40.705 | ATSF16/5 | 70.5 | 40 |
| 6 pole | 40.106 | ATSF1.5/6 | 45.4 | 50 | 40.306 | ATSF2.5/6 | 57.0 | 50 | 40.506 | ATSF6/6 | 68.0 | 50 | 40.706 | ATSF16/6 | 86.0 | 20 |
| 7 pole | 40.107 | ATSF1.5/7 | 53.3 | 50 | 40.307 | ATSF2.5/7 | 67.0 | 50 | 40.507 | ATSF6/7 | 80.0 | 50 | 40.707 | ATSF16/7 | 101.0 | 20 |
| 8 pole | 40.108 | ATSF1.5/8 | 61.3 | 50 | 40.308 | ATSF2.5/8 | 77.0 | 50 | 40.508 | ATSF6/8 | 92.0 | 50 | 40.708 | ATSF16/8 | 116.0 | 20 |
| 9 pole | 40.109 | ATSF1.5/9 | 69.2 | 50 | 40.309 | ATSF2.5/9 | 87.0 | 50 | 40.509 | ATSF6/9 | 104.0 | 50 | 40.709 | ATSF16/9 | 131.0 | 10 |
| 10 pole | 40.110 | ATSF1.5/10 | 77.2 | 50 | 40.310 | ATSF2.5/10 | 97.0 | 50 | 40.510 | ATSF6/10 | 116.0 | 25 | 40.710 | ATSF16/10 | 146.0 | 10 |
| 11 pole | 40.111 | ATSF1.5/11 | 85.1 | 50 | 40.311 | ATSF2.5/11 | 197.0 | 50 | 40.511 | ATSF6/11 | 128.0 | 25 | 40.711 | ATSF16/11 | 161.0 | 10 |
| 12 pole | 40.112 | ATSF1.5/12 | 93.0 | 50 | 40.312 | ATSF2.5/12 | 117.0 | 50 | 40.512 | ATSF6/12 | 140.0 | 25 | 40.712 | ATSF16/12 | 176.0 | 10 |

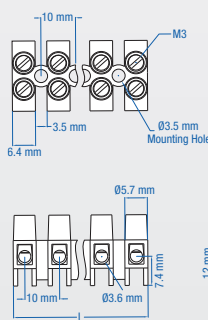
Accessories

| | Cat. No. | Std. Pk. | Cat. No. | Std. Pk. | Cat. No. | Std. Pk. | Cat. No. | Std. Pk. |
|---------------------|----------|----------|-------------|----------|-------------|----------|---------------|----------|
| External Jumpers | HCL8-2 | 100 | HCL10-2 | 100 | HCL12-2 | 100 | HCL15-2 | 100 |
| | HCL8-3 | 100 | HCL10-3 | 100 | HCL12-3 | 100 | HCL15-3 | 100 |
| | HCL8-4 | 100 | HCL10-4 | 100 | HCL12-4 | 100 | HCL15-4 | 100 |
| | HCL8-12 | 25 | HCL10-12 | 25 | HCL12-12 | 25 | HCL15-12 | 25 |
| Isolation Partition | - | - | HEP4/6H | 5 | HEP4/6H | 5 | - | - |
| Mounting Pins | - | - | H4 | 50 | H6 | 50 | - | - |
| Marking Plates | - | - | BS24E | 25 | BS60E | 25 | BS1016E | 25 |
| | - | - | BS24EM1-12 | 25 | BS60EM1-12 | 25 | BS1016EM1-12 | 25 |
| | - | - | BS24EM13-24 | 25 | BS60EM13-24 | 25 | BS1016EM13-24 | 25 |

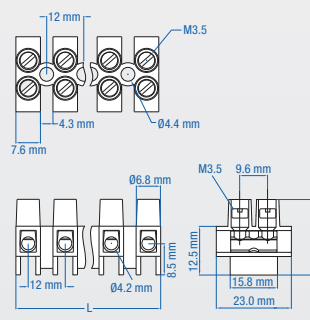
ATSF1.5 DIMENSIONS



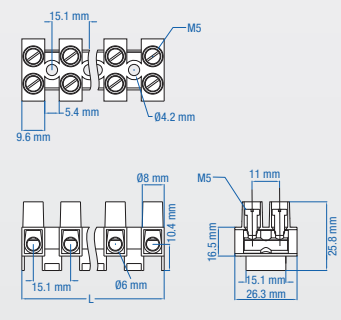
ATSF2.5 DIMENSIONS



ATSF6 DIMENSIONS



ATSF16 DIMENSIONS



(All dimensions are shown in mm, to convert to inches please divide by 25.4)

HIGHLIGHTS

EXTERNAL JUMPERS

- Bus potential between poles on terminal Strips
- Eliminates Wire Jumpers
- Less wiring Time
- Material: Copper Alloy nickel plated (pins)
Polyamide 66 (Insulation)
- Color: Black

ISOLATION PARTITION

- Separation between adjacent poles of different potentials
- Visual separation of poles
- Better circuit Identification
- Increasing wiring efficiency
- Material: Polyamide 66
- Color: black

EXTERNAL JUMPERS



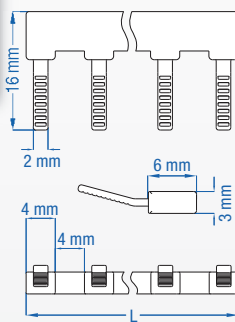
Technical Information

| External Jumper | HCL8 | HCL10 | HCL12 | HCL15 |
|-----------------|------------------|-------------------|-------------------|--------------------------|
| Eurostrip | HE1, HE1H | HE4, HE4HN | HE6, HE6H | HE10, HE16, HE10H, HE16H |
| Pole Spacing | 8 mm (0.315 in.) | 10 mm (0.394 in.) | 12 mm (0.472 in.) | 15 mm (0.591 in.) |

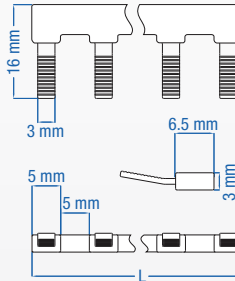
Ordering Information

| | Cat. No. | Length | Std. Pk. | Cat. No. | Length | Std. Pk. | Cat. No. | Length | Std. Pk. | Cat. No. | Length | Std. Pk. |
|---------|----------|--------|----------|----------|--------|----------|----------|--------|----------|----------|--------|----------|
| 2 pole | HCL8-2 | 12 mm | 100 | HCL10-2 | 15 mm | 100 | HCL12-2 | 18 mm | 100 | HCL15-2 | 20 mm | 100 |
| 3 pole | HCL8-3 | 20 mm | 100 | HCL10-3 | 25 mm | 100 | HCL12-3 | 30 mm | 100 | HCL15-3 | 35 mm | 100 |
| 4 pole | HCL8-4 | 28 mm | 100 | HCL10-4 | 35 mm | 100 | HCL12-4 | 42 mm | 100 | HCL15-4 | 50 mm | 100 |
| 12 pole | HCL8-12 | 92 mm | 25 | HCL10-12 | 115 mm | 25 | HCL12-12 | 138 mm | 25 | HCL15-12 | 170 mm | 25 |

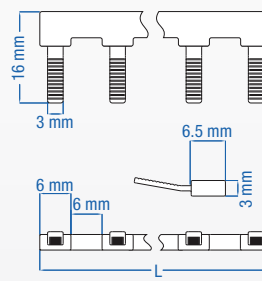
HCL8



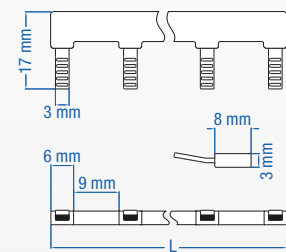
HCL10



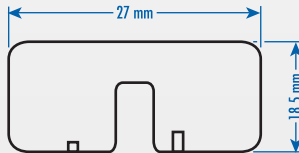
HCL12



HCL15



ISOLATION PARTITIONS



For Eurostrip HE4HN, HE6H, TSF2.5, TSF6

| Cat. No. | Dimensions | Std. Pk. |
|----------|--------------------|----------|
| HEP4/16H | 27 x 18.5 x 3.4 mm | 5 |

(All dimensions are shown in mm, to convert to inches please divide by 25.4)

ACCESSORIES

MOUNTING PINS

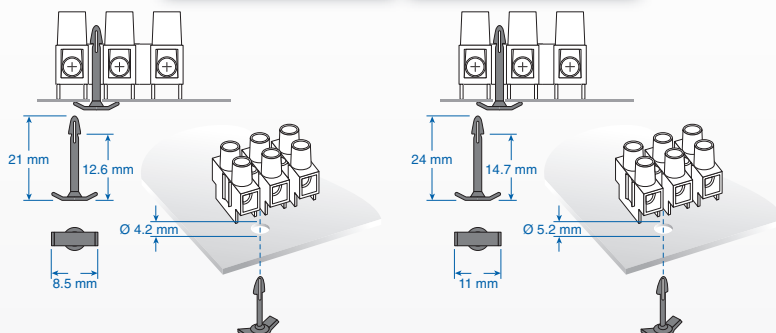


Technical Information

| Mounting Pins | H4 | H6 |
|-----------------|------------|------------|
| Eurostrip Type | HE4HN | HE6H |
| Panel Thickness | 0.5-1.5 mm | 0.8-1.8 mm |
| Drill Hole Size | Ø4.2 mm | Ø5.2mm |

Ordering Information

| Cat. No. | Std. Pk. | Cat. No. | Std. Pk. |
|----------|----------|----------|----------|
| H4 | 50 | H6 | 50 |



MARKING PLATES



Dimensions & Weight

| | | | |
|----------------|------------|-----------|--------------------------|
| Eurostrip Type | HE4, HE4HN | HE6, HE6H | HE10, HE10H, HE16, HE16H |
|----------------|------------|-----------|--------------------------|

Ordering Information

| | Cat. No. | Std. Pk. | Cat. No. | Std. Pk. | Cat. No. | Std. Pk. |
|-------|-------------|----------|-------------|----------|---------------|----------|
| Blank | BS24E | 25 | BS60E | 25 | BS1016E | 25 |
| 1-12 | BS24EM1-12 | 25 | BS60EM1-12 | 25 | BS1016EM1-12 | 25 |
| 13-24 | BS24EM13-24 | 25 | BS60EM13-24 | 25 | BS1016EM13-24 | 25 |

HIGHLIGHTS

MOUNTING PINS

- Faster Panel Mounting with snap-on mounting pins
- Installation
 - 1) Insert Pin through drilled hole
 - 2) Position Eurostrip on mounting pin
 - 3) Snap Eurostrip onto Mounting Pins
- Use 2 or more pins per Eurostrip
- Material: Polycarbonate

MARKING PLATES

- Install Mounting Plate under or on top of Eurostrip
- Easy identification of individual pole positions for more wiring efficiency
- Less installation time
- Blank marking plates for hand-marking
- Imprinted Marking Plates (No. 1-12, 13-24)
- Material: PVC
- Color: white with black imprint

Imprinting

- Mark individual pole positions
- Marking saves installation Time
- Marking on turret location
- Consecutive, identical or custom imprints
- Specify imprinting in part#
- Imprint: black ink, rub-resistant
- 500pcs MOQ

IMPRINTING

Imprint Example



HE10HWPR/06/1-6

Order Examples

Ordering Information

| | Cat. No. | Std. Pk. |
|-----------------|-----------------|----------|
| Consecutive 1-6 | HE10HWPR/06/1-6 | 500 |
| Consecutive 8-1 | HE1WPR/08/8-1 | 500 |
| Identical | HE6WPR/12/1 | 500 |

For custom imprints please contact Altech.

(All dimensions are shown in mm, to convert to inches please divide by 25.4)

X-ON Electronics

Largest Supplier of Electrical and Electronic Components

Click to view similar products for [Terminal Block Tools & Accessories](#) category:

Click to view products by [Altech](#) manufacturer:

Other Similar products are found below :

[00171430102](#) [00171420102](#) [600HL](#) [600RJ-07](#) [600RJ-11](#) [600RJ-14](#) [600RJS-10](#) [600RJS-12](#) [600RJS-21](#) [601RJ-09](#) [602SP](#) [602Z](#) [604J](#)
[CSTSPC1-2](#) [7B941-7](#) [88943-2100](#) [QC102](#) [1437403-6](#) [1437403-9](#) [1437403-8](#) [1453128-1](#) [147832-1](#) [EC0037-000](#) [MT2/H--](#) [MT6/H-N](#)
[MT6/V-GRND](#) [MT8/H-51-60](#) [BC2-12](#) [BCC-1-8/10](#) [EP2.5/4UN/BG](#) [1707755](#) [1735590](#) [1755480](#) [1789281](#) [1840227](#) [1840230](#) [2-1437402-1](#)
[JA2-03](#) [JB1-03/J](#) [JB2-04](#) [JB2-05](#) [JB2-07](#) [JB2-09/J](#) [PARALLELJUMPERLINK](#) [JS601](#) [2204082](#) [2302463](#) [2305949](#) [8TK2-24](#) [8WA1853](#)