

# Aluminum Enclosed Motor Disconnect Switch

- UL Type 4
- Excellent in harsh weather conditions
- UV resistant
- Resistant to many chemicals
- IP66 Protection Level
- Lockable and Defeatable Handle



 All Models are lockable with up to 3 padlocks.

**NEW**

## Catalog Number

|                         |                              |                             |                              |                              |
|-------------------------|------------------------------|-----------------------------|------------------------------|------------------------------|
| Black Handle            | KEA380CUL                    | KEA380UL                    | KEA3100UL                    | KEA3125UL                    |
| Yellow/Red Handle       | KEA380CUL Y/R                | KEA380UL Y/R                | KEA3100UL Y/R                | KEA3125UL Y/R                |
| No. of Poles            | 3 (4 pole - KEA480CUL (Y/R)) | 3 (4 pole - KEA480UL (Y/R)) | 3 (4 pole - KEA4100UL (Y/R)) | 3 (4 pole - KEA4125UL (Y/R)) |
| General Purpose Current | 80 A                         | 80 A                        | 100 A                        | 125 A                        |
| Maximum Voltage         | 600V AC                      | 600V AC                     | 600V AC                      | 600V AC                      |
| Motor FLA @ 480V AC     | 40 A                         | —                           | —                            | —                            |
| Motor FLA @ 600V AC     | 32A                          | 47 A                        | 54 A                         | 68 A                         |

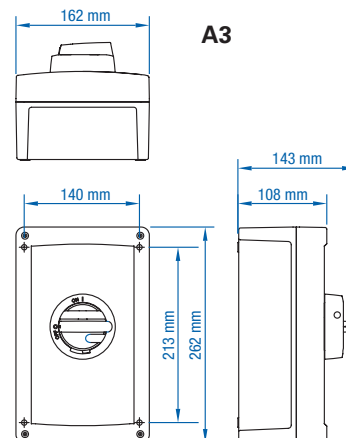
| Horsepower Rating/HP | KEA380CUL |         | KEA380UL |         | KEA3100UL |         | KEA3125UL |         |
|----------------------|-----------|---------|----------|---------|-----------|---------|-----------|---------|
|                      | 1 Phase   | 3 Phase | 1 Phase  | 3 Phase | 1 Phase   | 3 Phase | 1 Phase   | 3 Phase |
| 110-120V AC          | 5         | 7.5     | 3        | 7.5     | 3         | 7.5     | 5         | 10      |
| 200V AC              | 7.5       | 10      | 7.5      | 10      | 7.5       | 15      | 10        | 20      |
| 208V AC              | 7.5       | 10      | 7.5      | 15      | 7.5       | 15      | 10        | 20      |
| 220-240V AC          | 10        | 15      | 7.5      | 15      | 10        | 20      | 15        | 25      |
| 265V AC              | —         | 15      | 10       | 20      | 10        | 20      | 15        | 25      |
| 277V AC              | —         | 15      | 10       | 20      | 10        | 20      | 15        | 30      |
| 380-415V AC          | —         | 25      | 15       | 25      | 15        | 30      | 20        | 40      |
| 440-480V AC          | —         | 30      | 20       | 30      | 20        | 40      | 30        | 50      |
| 550-600V AC          | —         | 30      | 25       | 40      | 30        | 50      | 30        | 60      |

| Short Circuit Withstand Rating at 600 V with Max. Fuse Size/Class: | KEA380CUL |         | KEA380UL |         | KEA3100UL |         | KEA3125UL |         |
|--|-----------|---------|----------|---------|-----------|---------|-----------|---------|
|  | 1 Phase   | 3 Phase | 1 Phase  | 3 Phase | 1 Phase   | 3 Phase | 1 Phase   | 3 Phase |
|  | 10 kA     | 10 kA   | 10 kA    | 10 kA   | 10 kA     | 10 kA   | 10 kA     | 10 kA   |
| K5   | 30 A      | 150 A   | 150 A    | 150 A   | 150 A     | 150 A   | 150 A     | 150 A   |
| RK5  | 30 A      | 150 A   | 150 A    | 150 A   | 150 A     | 150 A   | 150 A     | 150 A   |
| RK1  | 60 A      | —       | —        | —       | —         | —       | —         | —       |
| J  | 100 A     | 200 A   | 200 A    | 200 A   | 200 A     | 200 A   | 200 A     | 200 A   |

| Terminal Size Acceptability<br>(Cu Conductors only, 75 °C) | KEA380CUL           | KEA380UL            | KEA3100UL           | KEA3125UL           |
|--|---------------------|---------------------|---------------------|---------------------|
| Terminal Torque  | 16 lb. in. (1.8 Nm) | 50 lb. in. (5.6 Nm) | 50 lb. in. (5.6 Nm) | 50 lb. in. (5.6 Nm) |
| Screw Head Type  | No. 2 Pozidrive     | 5 mm Allen Key      | 5 mm Allen Key      | 5 mm Allen Key      |
| Environmental Rating                                       | UL Type 4           | UL Type 4           | UL Type 4           | UL Type 4           |
| Enclosure Type Used  | A3                  | A3                  | A3                  | A3                  |

## Dimensions

(to convert to inches multiply by 0.03937)



| Weight | KEA380CUL         | KEA380UL          | KEA3100UL         | KEA3125UL         |
|--------|-------------------|-------------------|-------------------|-------------------|
|        | 2.3 kg (5.07 lb.) | 2.3 kg (5.07 lb.) | 2.3 kg (5.07 lb.) | 2.3 kg (5.07 lb.) |

## Suitable Accessories

| Auxiliary Contacts | KEA380CUL    | KEA380UL       | KEA3100UL      | KEA3125UL      |
|--------------------|--------------|----------------|----------------|----------------|
|                    | KU1.V, KU2.V | VKA1.V, VKA2.V | VKA1.V, VKA2.V | VKA1.V, VKA2.V |

## **X-ON Electronics**

Largest Supplier of Electrical and Electronic Components

*Click to view similar products for [Control Switches](#) category:*

*Click to view products by [Altech](#) manufacturer:*

Other Similar products are found below :

[80887-99](#) [80932-99](#) [86855-00](#) [88814-30](#) [1424293-1](#) [HW4S-2TC10](#) [89721-12](#) [89804-08](#) [SSN](#) [RL01801](#) [ASD2L20N-LVO](#) [50051857-17](#)  
[50099156-001-05](#) [51.155R-15200](#) [50058920-26](#) [CP-FA51](#) [CP-FA49](#) [ACCU-SC/L-3000](#) [PP9M](#) [PP87G](#) [PP86GA](#) [PP74G](#) [PP73M](#) [PP73G](#)  
[PP71G](#) [PP70G](#) [PP6G](#) [PP62G](#) [PP58BL](#) [PP56G](#) [PP86GB](#) [PP77GA](#) [PP76G](#) [PP4M](#) [PP47G](#) [PP46G](#) [PP41M](#) [PP40G](#) [PP32G](#) [RD-20](#) [PP14M](#)  
[PP12G](#) [RD-40](#) [PORTAPRO](#) [PNB-2005](#) [PN-5050/38D](#) [3057.0012](#) [CV-140SB](#) [CV-150](#) [CV-150S](#)