

Polycarbonate Enclosed Motor Disconnect Switch


- Can be used locally at the motor
- UL Type 4X
- IEC IP65 Protection Level
- UV resistant
- Resistant to many chemicals
- Lockable - Defeatable Handle



NEW



NEW

 All Models are lockable with up to 3 padlocks.

Catalog Number

Black Handle	KEM316UL	KEM325UL	KEM340UL	KEM360UL	KEM380CUL
Yellow/Red Handle	KEM316UL Y/R	KEM325UL Y/R	KEM340UL Y/R	KEM360UL Y/R	KEM380CUL Y/R
No. of Poles	3 (4 pole - KEM416UL (Y/R))	3 (4 pole - KEM425UL (Y/R))	3 (4 pole - KEM440UL (Y/R))	3 (4 pole - KEM460UL (Y/R))	3 (4 pole - KEM480CUL (Y/R))
General Purpose Current	16 A	25 A	40 A	60 A	80 A
Maximum Voltage	600V AC	600V AC	600V AC	600V AC	600V AC
Motor FLA @ 480V AC	14 A	21 A	27A	34A	40 A
Motor FLA @ 600V AC	9A	11A	17A	27A	32A

Horsepower Rating/HP	1 Phase		3 Phase		1 Phase		3 Phase		1 Phase		3 Phase	
	110-120V AC	1	2	1.5	3	2	3	3	5	5	7.5	10
200V AC	1.5	3	2	5	3	7.5	5	10	7.5	10	15	20
208V AC	1.5	3	2	5	3	7.5	5	10	7.5	10	15	20
220-240V AC	2	3	3	5	5	7.5	7.5	10	10	15	20	25
265V AC	-	5	-	7.5	-	10	-	10	-	15	20	25
277V AC	-	5	-	7.5	-	10	-	10	-	15	20	25
380-415V AC	-	7.5	-	10	-	15	-	20	-	25	30	35
440-480V AC	-	10	-	15	-	20	-	25	-	30	35	40
550-600V AC	-	7.5	-	10	-	15	-	25	-	30	35	40

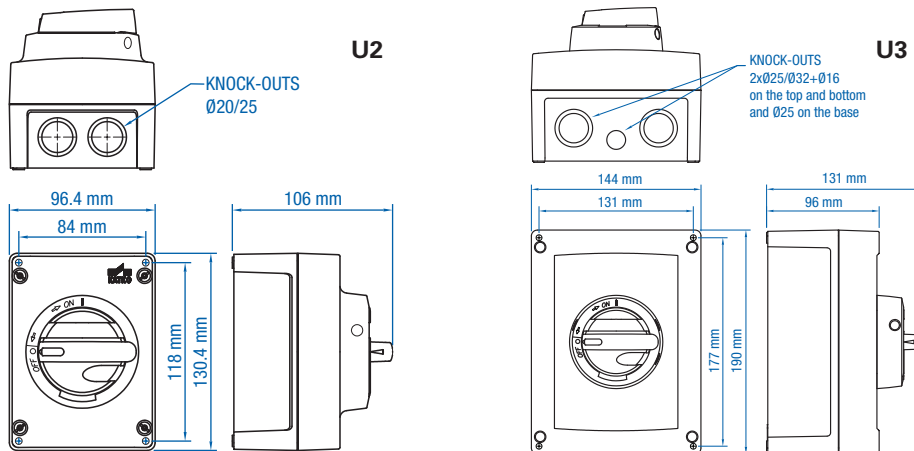
Short Circuit Withstand Rating at 600 V with Max. Fuse Size/Class:	10 kA	10 kA	10 kA	10 kA	10 kA
K5	30 A	30 A	30 A	30 A	30 A
RK5	30 A	30 A	30 A	30 A	30 A
RK1	60 A	60 A	60 A	60 A	60 A
J	80 A	80 A	80 A	100 A	100 A

Terminal Size

Acceptability	14-8 AWG	14-8 AWG	14-8 AWG	12-4 AWG	12-4 AWG
(Cu Conductors only, 75 °C)					
Terminal Torque	16 lb. in. (1.8 Nm)	16 lb. in. (1.8 Nm)	16 lb. in. (1.8 Nm)	16 lb. in. (1.8 Nm)	16 lb. in. (1.8 Nm)
Screw Head Type	No. 2 Pozidrive	No. 2 Pozidrive	No. 2 Pozidrive	No. 2 Pozidrive	No. 2 Pozidrive
Environmental Rating	UL Type 4X	UL Type 4X	UL Type 4X	UL Type 4X	UL Type 4X
Enclosure Type Used	U2	U2	U3	U3	U3

Dimensions

(to convert to inches multiply by 0.03937)



Enclosure Cover Screw Installation (Additional Information)

Enclosure	Screw Type	Torque
U2	Pz2	17.7 lb. in. (2 Nm)
U3	Pz2	17.7 lb. in. (2 Nm)
MF10UL	PH2/1x7	13.3 lb. in. (1.5 Nm)
MF11UL	PH2/1x7	13.3 lb. in. (1.5 Nm)

Weight	0.49 kg (1.08 lb.)	0.49 kg (1.08 lb.)	0.72 kg (1.587 lb.)	0.773 kg (1.698 lb.)	0.773 kg (1.698 lb.)
--------	--------------------	--------------------	---------------------	----------------------	----------------------

Suitable Accessories

Auxiliary Contacts	KU1.V, KU2.V	KU1.V, KU2.V	KU1.V, KU2.V	KU1.V, KU2.V	KU1.V, KU2.V
--------------------	--------------	--------------	--------------	--------------	--------------

X-ON Electronics

Largest Supplier of Electrical and Electronic Components

Click to view similar products for [Control Switches](#) category:

Click to view products by [Altech](#) manufacturer:

Other Similar products are found below :

[80887-99](#) [80932-99](#) [86855-00](#) [88814-30](#) [1424293-1](#) [HW4S-2TC10](#) [89721-12](#) [89804-08](#) [SSN](#) [RL01801](#) [ASD2L20N-LVO](#) [50051857-17](#)
[50099156-001-05](#) [51.155R-15200](#) [50058920-26](#) [CP-FA51](#) [CP-FA49](#) [ACCU-SC/L-3000](#) [PP9M](#) [PP87G](#) [PP86GA](#) [PP74G](#) [PP73M](#) [PP73G](#)
[PP71G](#) [PP70G](#) [PP6G](#) [PP62G](#) [PP58BL](#) [PP56G](#) [PP86GB](#) [PP77GA](#) [PP76G](#) [PP4M](#) [PP47G](#) [PP46G](#) [PP41M](#) [PP40G](#) [PP32G](#) [RD-20](#) [PP14M](#)
[PP12G](#) [RD-40](#) [PORTAPRO](#) [PNB-2005](#) [PN-5050/38D](#) [3057.0012](#) [CV-140SB](#) [CV-150](#) [CV-150S](#)