

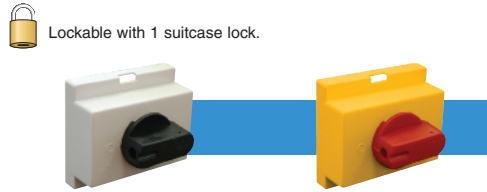
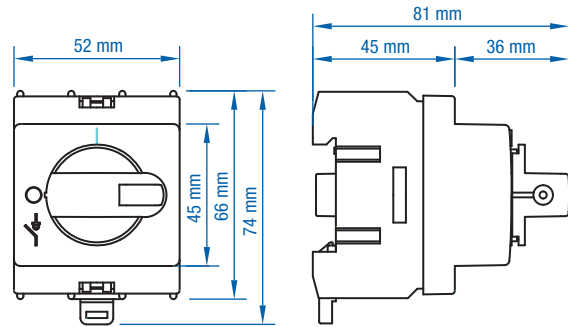
## Direct Handle Accessories and Mounting Alternatives

### DIRECT HANDLES

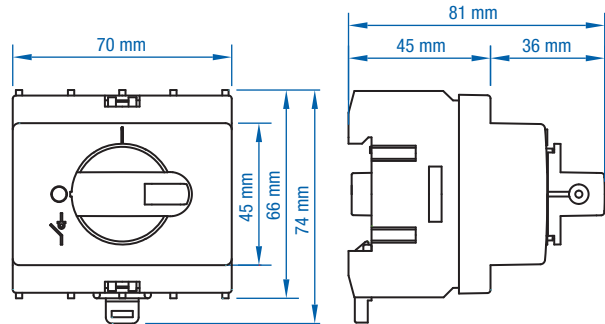
Improved design with metal shaft. Use for all your "inside the panel" applications. 1 suitcase lock location.



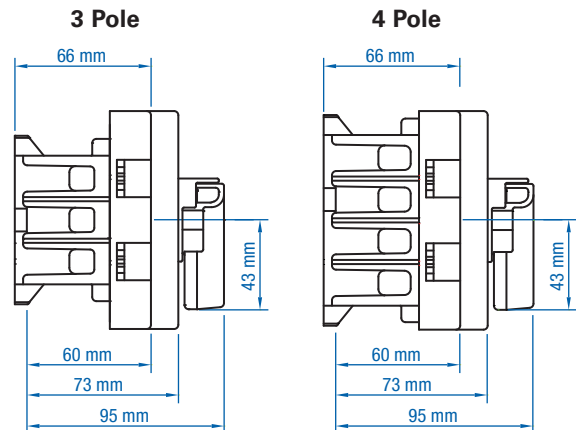
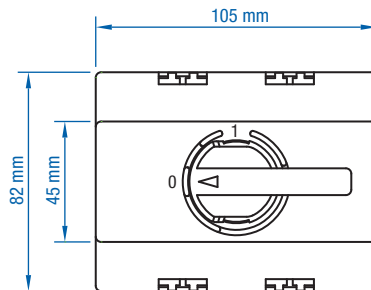
<b>Cat. No.</b>	K/KU3P	K/KU3PY/R
<b>Color</b>	Black	Yellow/Red
<b>For use with</b>	KU models (3P)	KU models (3P)



<b>Cat. No.</b>	K/KU4P	K/KU4PY/R
<b>Color</b>	Black	Yellow/Red
<b>For use with</b>	KU models (4P)	KU models (4P)



<b>Cat. No.</b>	K/VKA3-4P	K/VKA3-4PY/R
<b>Color</b>	Black	Yellow/Red
<b>For use with</b>	VKA models (3/4P)	VKA models (3/4P)

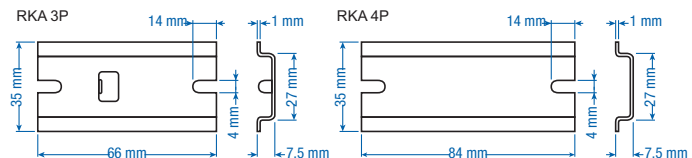


### ALUMINUM DIN RAIL

Panel mount option for small Disconnect Switches.



<b>Cat. No.</b>	RKA 3P	RKA 4P
<b>For Use With</b>	KU325/40/63N	KU425/40/63N



### NOTE:

In the rare case that your mounting hardware (screws) for DIN Rail interfere with the enforcement studs in the back of the Motor Disconnect Switch please use smaller ( $\leq M3$  or equivalent) flathead screws or change your DIN Rail to the 15mm high version.

**Dimensions** (to convert to inches multiply by 0.03937)

## X-ON Electronics

Largest Supplier of Electrical and Electronic Components

*Click to view similar products for [Switch Fixings](#) category:*

*Click to view products by [Altech](#) manufacturer:*

Other Similar products are found below :

[893102000](#) [00-5150](#) [LZZ1A](#) [0098.9234](#) [61-9451.0](#) [M2PA-5011](#) [630155](#) [635401](#) [6PA113](#) [6PA147-E6](#) [6PA148-E6](#) [6PA32](#) [6PA9](#) [700106](#)  
[700109](#) [700303A56](#) [700C1GRY](#) [700C2GRN](#) [704-6001](#) [704.960.9](#) [704.965.2](#) [704.965.6](#) [704.966.0](#) [7089-3](#) [710082-B11](#) [71M1048](#)  
[757200264](#) [764300000](#) [MHU35](#) [MHU37](#) [807039-1](#) [825.003.011](#) [825.005.011](#) [825.053.011](#) [825.055.011](#) [826.000.071](#) [827.020.011](#)  
[827.400.021](#) [835.900.023](#) [MML52C10C](#) [MML52E10C](#) [MML92HGH](#) [MML93K](#) [84211M02CNNS](#) [84212M02CNNS](#) [84217A8.0LNOS](#)  
[842.500.011](#) [843.000.011](#) [843187-000](#) [843487-000](#)