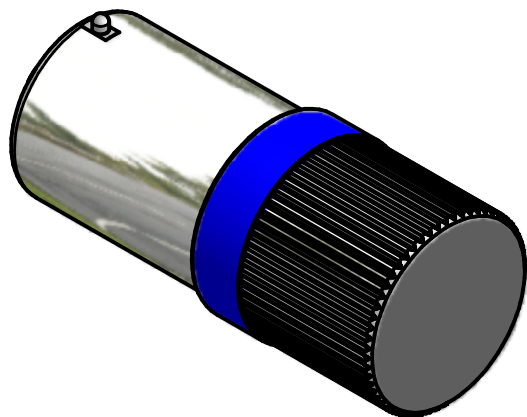


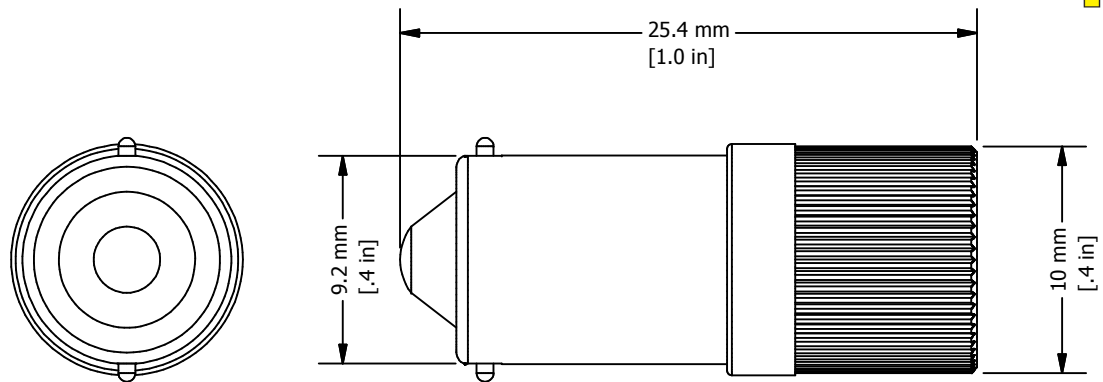
REVISION FOR DWG # 1PB-MCB9xyyy

REV	CH.NO.	DESCRIPTION	DATE	REVISED BY
-	-	ORIGINAL DESIGN	11/15/2007	PHILIPP E.



Replacement LED Bulbs

Color	Voltage	Cat No.	Color	Voltage	Cat No.
12V AC/DC			110V AC/DC		
White	12V AC/DC	MCB9112	White	110V AC/DC	MCB91110
Green	12V AC/DC	MCB9312	Green	110V AC/DC	MCB93110
Red	12V AC/DC	MCB9412	Red	110V AC/DC	MCB94110
Amber	12V AC/DC	MCB9512	Amber	110V AC/DC	MCB95110
Blue	12V AC/DC	MCB9612	Blue	110V AC/DC	MCB96110
Yellow	12V AC/DC	MCB9812	Yellow	110V AC/DC	MCB98110
24V AC/DC			230V AC		
White	24V AC/DC	MCB9124	White	230V AC	MCB91230
Green	24V AC/DC	MCB9324	Green	230V AC	MCB93230
Red	24V AC/DC	MCB9424	Red	230V AC	MCB94230
Amber	24V AC/DC	MCB9524	Amber	230V AC	MCB95230
Blue	24V AC/DC	MCB9624	Blue	230V AC	MCB96230
Yellow	24V AC/DC	MCB9824	Yellow	230V AC	MCB98230
48V AC/DC			230V DC		
White	48V AC/DC	MCB9148	White	230V DC	MCB91230D
Green	48V AC/DC	MCB9348	Green	230V DC	MCB93230D
Red	48V AC/DC	MCB9448	Red	230V DC	MCB94230D
Amber	48V AC/DC	MCB9548	Amber	230V DC	MCB95230D
Blue	48V AC/DC	MCB9648	Blue	230V DC	MCB96230D
Yellow	48V AC/DC	MCB9848	Yellow	230V DC	MCB98230D



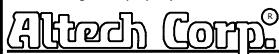
Maximum Power Consumption:

Supply Voltage	LED	
	Power (max) in Watts	Current
12V	0.5W	max 20mA
24V	0.5W	max 20mA
48V	0.5W	max 20mA
110V	0.5W	max 15mA
240V	1W	max 10mA

UNLESS OTHERWISE SPECIFIED:
 • ALL DIMENSIONS ARE IN MILLIMETERS
 • THIRD ANGLE PROJECTION



This Drawing is the property of



35 Royal Road
 Flemington, NJ 08822-6000
 (908) 806-9400
 Fax (908) 806-9490

AND IS A CONFIDENTIAL DISCLOSURE LENT WITHOUT CONSIDERATION OTHER THAN THE BORROWER'S AGREEMENT THAT IT SHALL NOT BE REPRODUCED, COPIED, LENT OR DISPOSED OF DIRECTLY OR INDIRECTLY NOR USED FOR ANY PURPOSE OTHER THAN THAT FOR WHICH IT IS SPECIFICALLY FURNISHED.

TITEL 22 mm LED Bulbs MCB9xyyy (x=color; yyy=voltage)

TOLERANCE	
XX	= ±1 mm
XX.X	= ±0.5 mm
XX.XX	= ±0.2 mm
ALL	= - mm

METRIC

DRAWN BY: Philipp Ernstberger	11/15/2007	DRAWING NO.:	REV.:
CHECKED BY: Laszlo Gyorgypal	11/15/2007	1PB-MCB9xyyy	-
RELEASED BY: Laszlo Gyorgypal	11/15/2007	SCALE: -	SHEET: 1 OF: 1

X-ON Electronics

Largest Supplier of Electrical and Electronic Components

Click to view similar products for [Industrial Panel Mount Indicators / Switch Indicators](#) category:

Click to view products by [Altech](#) manufacturer:

Other Similar products are found below :

[LW1A-P1-GD](#) [LW1A-P1-W](#) [01-931.3](#) [01-152.025](#) [73.362.4028.0](#) [750-1520](#) [9001OA120](#) [A0142N5](#) [A3DT-500Y](#) [AL6M-LK3-R](#) [AL6M-P7P-A](#) [AOLQW-2B0600](#) [AP1M255-A](#) [APD106LN-G](#) [APD106LN-S](#) [APN1126-G](#) [APS122DN-W](#) [ASLWLD-G](#) [ASLWLD-R](#) [ATN2100](#) [AYLW4L-A](#) [18-237.035](#) [HW1A-L1-GD](#) [HW1A-P2-GL](#) [HW1X-BM411-R](#) [HW2A-L1-GL](#) [HW2A-P1-GD](#) [HWAZ1N-OB](#) [PA2100/2](#) [PA2200/1](#) [PA2SHIELD](#) [LA3P-1C03V-Y](#) [96-923.5](#) [A0244J2](#) [LSPD-120A](#) [LSPD-1Y](#) [LSPD-6A](#) [LSPD-6DA](#) [LSPD-6DW](#) [LSPD-6DY](#) [LSPD-6R](#) [LSPD-6W](#) [AL6H-LK3-A](#) [AL6H-P4-JW](#) [AL6M-LK1-MG](#) [AP8M155-G](#) [APD106LN-W](#) [APN106L-O](#) [21-931.9](#) [25.168.0553.0](#)