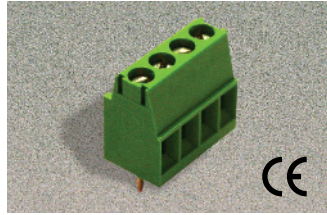


Pin Spacing: 3.81mm  
 Orientation: Vertical  
 Clamp Type: Screw Cage  
 Design: Modular



**MVS-13xx**

**ELECTRICAL**

	Current	Voltage	Wire Range
	10A <sup>②</sup>	300V	30-16 AWG
	12A	130V	1.0mm <sup>2</sup> stranded 1.5mm <sup>2</sup> solid

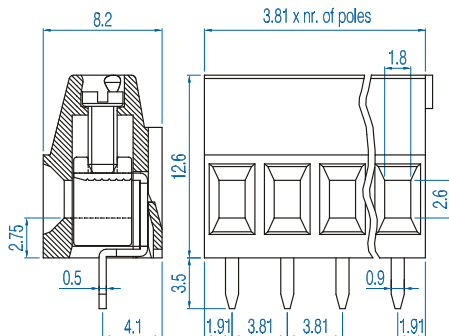
**INSTALLATION DATA**

<b>Screw Size</b>	M2	<b>PCB Hole Size</b>	1.1mm
<b>Torque</b>	0.25Nm (2.2lbf-in)	<b>Stripping Lgth.</b>	6.7mm

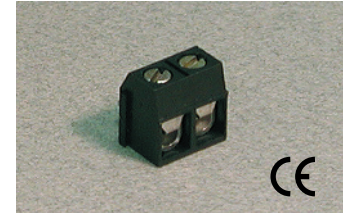
**MATERIAL**

<b>Body</b>	Polyamide	<b>Screw</b>	Galvanized Steel
<b>Flammability Class</b>	UL94V-0	<b>Terminal</b>	Tin-Plated Brass
<b>Temperature Limit</b>	105°C UL 125°C IEC	<b>Clamp</b>	Nickel Brass
<b>Color</b>	Green		

No. Poles	Cat. #	Length (mm)	Std. Pk.
2	MVS-132	7.6	100
3	MVS-133	11.4	100
4	MVS-134	15.2	50
5	MVS-135	19.1	50
6	MVS-136	22.9	50
7	MVS-137	26.7	50
8	MVS-138	30.5	50
9	MVS-139	34.3	50
10	MVS-1310	38.1	50
11	MVS-1311	41.9	50
12	MVS-1312	45.7	50
13	MVS-1313	49.5	20
14	MVS-1314	53.3	20
15	MVS-1315	57.2	20
16	MVS-1316	61.0	20
17	MVS-1317	64.8	20
18	MVS-1318	68.6	20
19	MVS-1319	72.4	20
20	MVS-1320	76.2	20
21	MVS-1321	80.0	20
22	MVS-1322	83.8	20
23	MVS-1323	87.6	20
24	MVS-1324	91.4	20



Pin Spacing: 5.00mm  
 Orientation: Horizontal  
 Clamp Type: Tubular Screw with Wire Protector  
 Design: Modular



**MHE-13xx**

**ELECTRICAL**

	Current	Voltage	Wire Range
	16A	250V	22-16AWG

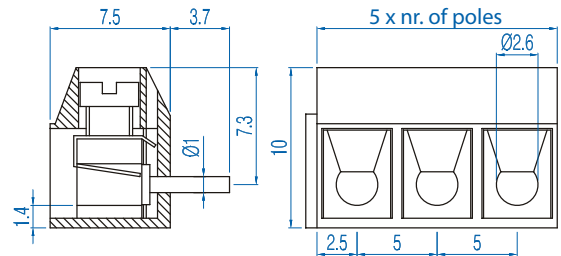
**INSTALLATION DATA**

<b>Screw Size</b>	M2.6	<b>PCB Hole Size</b>	1.3mm
<b>Torque</b>	0.4Nm (3.6 lbf-in.)	<b>Stripping Lgth.</b>	5.6mm

**MATERIAL**

<b>Body</b>	Glass-Filled Polyester	<b>Screw</b>	Galvanized Steel
<b>Flammability Class</b>	UL94V-0	<b>Terminal</b>	Tin-Plated Brass
<b>Temperature Limit</b>	130°C UL 125°C IEC	<b>Wire Protector</b>	CuSn6
<b>Color</b>	Black		

No. Poles	Cat. #	Length (mm)	Std. Pk.
2	MHE-132	10.0	100
3	MHE-133	15.0	100
4	MHE-134	20.0	50
5	MHE-135	25.0	50
6	MHE-136	30.0	50
7	MHE-137	35.0	50
8	MHE-138	40.0	50
9	MHE-139	45.0	50
10	MHE-1310	50.0	50
11	MHE-1311	55.0	50
12	MHE-1312	60.0	50
13	MHE-1313	65.0	20
14	MHE-1314	70.0	20
15	MHE-1315	75.0	20
16	MHE-1316	80.0	20
17	MHE-1317	85.0	20
18	MHE-1318	90.0	20
19	MHE-1319	95.0	20
20	MHE-1320	100.0	20
21	MHE-1321	105.0	20
22	MHE-1322	110.0	20
23	MHE-1323	115.0	20
24	MHE-1324	120.0	20



<sup>②</sup> 12A Factory Wiring - UL

## X-ON Electronics

Largest Supplier of Electrical and Electronic Components

*Click to view similar products for [Fixed Terminal Blocks](#) category:*

*Click to view products by [Altech](#) manufacturer:*

Other Similar products are found below :

[MBE-1512](#) [MBE-154](#) [MBE-156](#) [MBES-153](#) [MBES-156](#) [MH-2512](#) [MHE-132](#) [MHE-163](#) [MI-254 \(35\)](#) [MI-272](#) [880507](#) [MPT-275](#)  
[15602-04-08-21](#) [BA311TU](#) [BA411SU](#) [MV-152](#) [MV-252-D](#) [MV-253/NCNOC](#) [MV-254-D](#) [MV-255](#) [MV-462](#) [MV-493](#) [MVE-252](#) [MVE-253](#)  
[MVE-273](#) [MVEB-153](#) [1700096](#) [1705142](#) [1745195](#) [1760594](#) [1776118-2](#) [1-796689-8](#) [1-796692-6](#) [20020314-C121B01LF](#) [CB2-12](#)  
[KP03215000J0G](#) [KP04215000J0G](#) [S451](#) [282802-2](#) [29.007](#) [29.116](#) [30.103](#) [30.106](#) [30.252](#) [30.503](#) [30.608](#) [30.753](#) [30.755](#) [30.756](#) [30.853](#)