

Altech is pleased to announce a new, more extensive printed circuit board terminal block line. This line offers the standard single and double level fixed and pluggable terminal blocks in metric and US pin spacings. However, this product line goes beyond our past standard offering. There is now a wider array of products within each pin spacing as well as new types of blocks such as 35°, reverse horizontal wire entry, and triple level fixed blocks, card edge connectors, panel feed through blocks, barrier strips, and plugs/headers with screw flanges. This product assortment combined with the new pricing structure makes this line extremely competitive.

Altech printed circuit board terminal blocks give you highly dependable connections without the need for wire lugs. Choose either tubular screw clamps or box clamps when economy is paramount or screw-cage clamps for heavy-duty applications. In each case, simply strip and insert the wire and tighten the screw. We recommend the use of ferrules, especially for export applications and whenever fine stranded wires must be terminated.

Our board mounted terminal blocks meet or exceed most international standards and are accepted worldwide. They're available in single, double and triple level configurations with both, millimeter and inch pin spacings. All leave mini footprints to save valuable real estate.

# PRINTED CIRCUIT BOARD TERMINAL BLOCKS

## FIXED

Our printed circuit board terminal blocks designed for fixed mounting offer high density, and maximum flexibility. Modular construction simplifies ordering and reduces inventory. Two- and 3-pole modules can be interlocked to create multipole assemblies. Altech can also supply ready-made assemblies tailored to your specification. Fixed-mount blocks are available with the economical tubular screw, box clamp or the screw-cage clamp and offer several wire entry options to facilitate wiring and increase accessibility.



## PLUGGABLE

The two-piece, plug and header design of our “pluggable” terminal blocks speed and simplify board replacement and reduce costly downtime and misconnections. No special tools are required. Headers are soldered into the board and accept the plugs, which are easily removed for fast, convenient board or device replacement. Choose single- mold designs for maximum strength. Or choose modular designs which are assembled from 2 and 3 pole modules when you need maximum flexibility to meet changing requirements. Both are available in a variety of configurations. Headers are available in vertical, and horizontal, single or double-level, with closed or open ends.



We offer pluggables with either screw-cage clamp termination for heavy duty requirements or with tubular screw termination and open headers for cost sensitive applications. We also offer a card edge connector for a quick, reliable and inexpensive connection.

## PIN SPACING

Each clamp style is offered in metric and inch pin spacing. For your convenience, this catalog is organized by pin spacing. Fixed blocks are first, starting with the smallest pin spacing, then pluggable shown in each available spacing.

## CONNECTION

Altech’s printed circuit board terminal blocks give you a choice between tubular screw, box clamp and screw-cage clamp designs:

- When your application calls for the highest reliability and frequent wire terminations, the screw-cage clamp should be your choice. As the clamp is tightened, the nickel-plated cage rises, pressing the wire firmly against the bus-bar, ensuring solid connections every time. Standard color is green.
- In the tubular screw and box clamp design, tightening the screw presses the conductor directly against the bottom of the clamp. These systems are ideal for cost sensitive, lighter duty applications or applications with infrequent wire terminations. Wire protectors are standard. Standard color is black for tubular screw and green for box clamp.

## MATERIALS

All of our printed circuit board terminal blocks feature precision formed or machined metal parts which are electrolytically plated. Nickel or tin-plated brass cage clamps or tubes, wire protectors, and tin-plated solder pins satisfy the most demanding requirements. Housings are precision-molded from self-extinguishing polyamid 6.8 or glass-filled polyester providing excellent strength and temperature resistance.

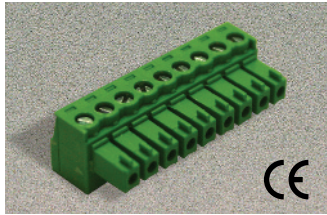
## MARKING

Altech offers marking to identify terminal inputs. Order Hot Stamp Imprinting for permanent marking of large quantities or custom marked terminals. Standard marking is consecutive numbers, left to right. This standard marking can be ordered by adding a suffix (i.e. MV-4612/iA would be a MV-4612 terminal block imprinted 1 through 12, left to right).

Custom imprints are also available, see page 177 for ordering information.



# 3.50mm Pin Spacing – Pluggable PCB Blocks

Pin Spacing: 3.50mm  
 Orientation: Horizontal Plug  
 Clamp Type: Screw Cage  
 Design: Single Mold



**SHxx-3.50**

**ELECTRICAL**

	Current	Voltage	Wire Range
	8A	300V	30-16AWG
	8A	130V	1.5mm <sup>2</sup> Stranded 1.5mm <sup>2</sup> Solid

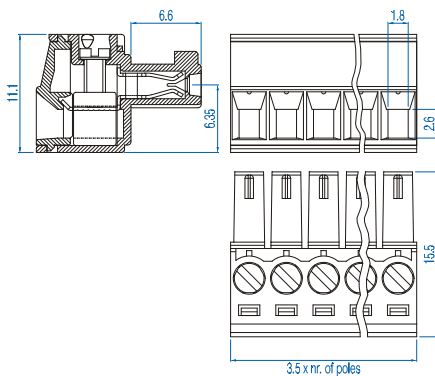
**INSTALLATION DATA**

Screw Size	M2	PCB Hole Size	–
Torque	0.25Nm (2.3 lbf-in.)	Stripping Lgth.	8mm

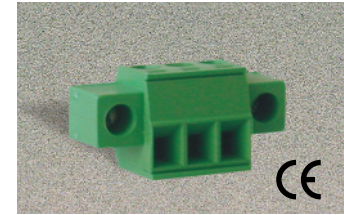
**MATERIAL**

<b>Body</b>	Polyamide	<b>Screw</b>	Galvanized Steel
<b>Flammability Class</b>	UL94V-0	<b>Terminal</b>	Tin-Plated Brass
<b>Temperature Limit</b>	105°C UL 125°C IEC	<b>Clamp</b>	Nickeled Brass
<b>Color</b>	Green		

No. Poles	Cat. #	Length (mm)	Std. Pk.
2	SH02-3.50	7.0	100
3	SH03-3.50	10.5	100
4	SH04-3.50	14.0	50
5	SH05-3.50	17.5	50
6	SH06-3.50	21.0	50
7	SH07-3.50	24.5	50
8	SH08-3.50	28.0	50
9	SH09-3.50	31.5	50
10	SH10-3.50	35.0	50
11	SH11-3.50	38.5	50
12	SH12-3.50	42.0	50
13	SH13-3.50	45.5	20
14	SH14-3.50	49.0	20
15	SH15-3.50	52.5	20
16	SH16-3.50	56.0	20
17	SH17-3.50	59.5	20
18	SH18-3.50	63.0	20
19	SH19-3.50	66.5	20
20	SH20-3.50	70.0	20
21	SH21-3.50	73.5	20
22	SH22-3.50	77.0	20
23	SH23-3.50	80.5	20
24	SH24-3.50	84.0	20





Pin Spacing: 3.50mm  
 Orientation: Horizontal Plug  
 with Screw Flange  
 Clamp Type: –  
 Design: Single Mold



**SHxx-3.50-K**

**ELECTRICAL**

	Current	Voltage	Wire Range
	8A	300V	30-16AWG
	8A	130V	1.5mm <sup>2</sup> Stranded 1.5mm <sup>2</sup> Solid

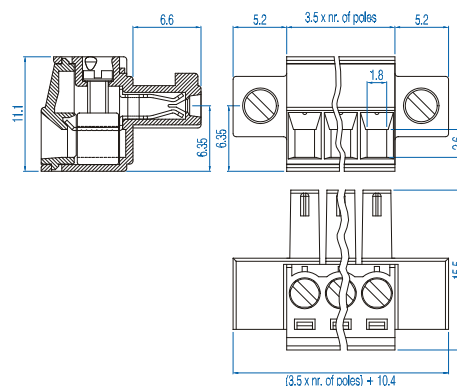
**INSTALLATION DATA**

Screw Size	M2	PCB Hole Size	–
Torque	0.25Nm (2.3 lbf-in.)	Stripping Lgth.	8mm

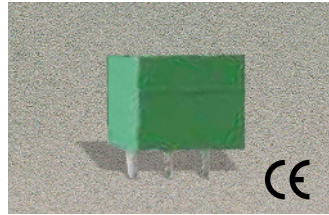
**MATERIAL**

<b>Body</b>	Polyamide	<b>Screw</b>	Galvanized Steel
<b>Flammability Class</b>	UL94V-0	<b>Terminal</b>	Tin-Plated Brass
<b>Temperature Limit</b>	105°C UL 125°C IEC	<b>Clamp</b>	Nickeled Brass
<b>Color</b>	Green		

No. Poles	Cat. #	Length (mm)	Std. Pk.
2	SH02-3.50-K	17.4	100
3	SH03-3.50-K	20.9	100
4	SH04-3.50-K	24.4	50
5	SH05-3.50-K	27.9	50
6	SH06-3.50-K	31.4	50
7	SH07-3.50-K	34.9	50
8	SH08-3.50-K	38.4	50
9	SH09-3.50-K	41.9	50
10	SH10-3.50-K	45.4	50
11	SH11-3.50-K	48.9	50
12	SH12-3.50-K	52.4	50
13	SH13-3.50-K	55.9	20
14	SH14-3.50-K	59.4	20
15	SH15-3.50-K	62.9	20
16	SH16-3.50-K	66.4	20
17	SH17-3.50-K	69.9	20
18	SH18-3.50-K	73.4	20
19	SH19-3.50-K	76.9	20
20	SH20-3.50-K	80.4	20
21	SH21-3.50-K	83.9	20
22	SH22-3.50-K	87.4	20



Pin Spacing: 3.50mm  
 Orientation: Vertical  
 Clamp Type: Rising Clamp  
 Design: Single Mold



**PVPxx-3.50**

**ELECTRICAL**

	Current	Voltage	Wire Range
	8A	300V	–
	8A	130V	–

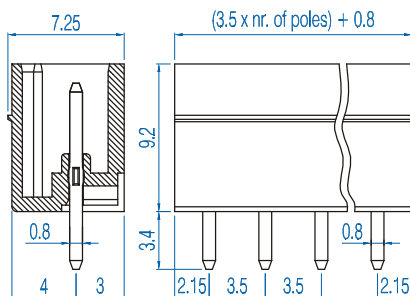
**INSTALLATION DATA**

Screw Size	–	PCB Hole Size	1.3mm
Torque	–	Stripping Lgth.	–

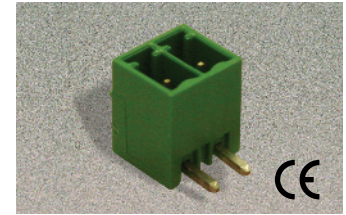
**MATERIAL**

Body	Polyamide	Screw	–
Flammability Class	UL94V-0	Terminal	Tin-Plated Brass
Temperature Limit	105°C UL 125°C IEC	Clamp	–
Color	Green		

No. Poles	Cat. #	Length (mm)	Std. Pk.
2	PVP02-3.50	7.8	100
3	PVP03-3.50	11.3	100
4	PVP04-3.50	14.8	50
5	PVP05-3.50	18.3	50
6	PVP06-3.50	21.8	50
7	PVP07-3.50	25.3	50
8	PVP08-3.50	28.8	50
9	PVP09-3.50	32.3	50
10	PVP10-3.50	35.8	50
11	PVP11-3.50	39.3	50
12	PVP12-3.50	42.8	50
13	PVP13-3.50	46.3	20
14	PVP14-3.50	49.8	20
15	PVP15-3.50	53.3	20
16	PVP16-3.50	56.8	20
17	PVP17-3.50	60.3	20
18	PVP18-3.50	63.8	20
19	PVP19-3.50	67.3	20
20	PVP20-3.50	70.8	20
21	PVP21-3.50	74.3	20
22	PVP22-3.50	77.8	20
23	PVP23-3.50	81.3	20
24	PVP24-3.50	84.8	20



Pin Spacing: 3.50mm  
 Orientation: Horizontal Header  
 Clamp Type: –  
 Design: Single Mold - Closed End



**PHPxx-3.50**

**ELECTRICAL**

	Current	Voltage	Wire Range
	8A	300V	–
	8A	130V	–

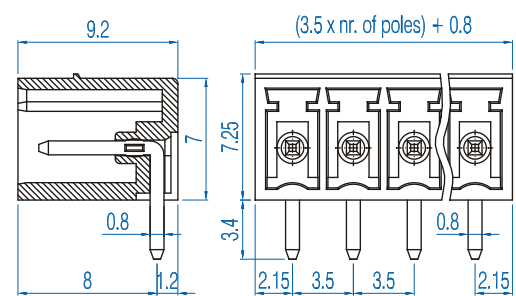
**INSTALLATION DATA**

Screw Size	–	PCB Hole Size	1.3mm
Torque	–	Stripping Lgth.	–

**MATERIAL**

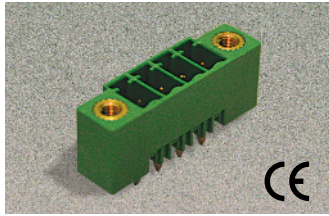
Body	Polyamide	Screw	–
Flammability Class	UL94V-0	Terminal	Tin-Plated Brass
Temperature Limit	105°C UL 125°C IEC	Clamp	–
Color	Green		

No. Poles	Cat. #	Length (mm)	Std. Pk.
2	PHP02-3.50	7.8	100
3	PHP03-3.50	11.3	100
4	PHP04-3.50	14.8	50
5	PHP05-3.50	18.3	50
6	PHP06-3.50	21.8	50
7	PHP07-3.50	25.3	50
8	PHP08-3.50	28.8	50
9	PHP09-3.50	32.3	50
10	PHP10-3.50	35.8	50
11	PHP11-3.50	39.3	50
12	PHP12-3.50	42.8	50
13	PHP13-3.50	46.3	20
14	PHP14-3.50	49.8	20
15	PHP15-3.50	53.3	20
16	PHP16-3.50	56.8	20
17	PHP17-3.50	60.3	20
18	PHP18-3.50	63.8	20
19	PHP19-3.50	67.3	20
20	PHP20-3.50	70.8	20
21	PHP21-3.50	74.3	20
22	PHP22-3.50	77.8	20
23	PHP23-3.50	81.3	20
24	PHP24-3.50	84.8	20



# 3.50mm Pin Spacing – Pluggable PCB Blocks

Pin Spacing: 3.50mm  
 Orientation: Vertical Header with Screw Flange  
 Clamp Type: –  
 Design: Single Mold



**PVxx-3.50-K**

**ELECTRICAL**

	Current	Voltage	Wire Range
	8A	300V	–
	8A	130V	–

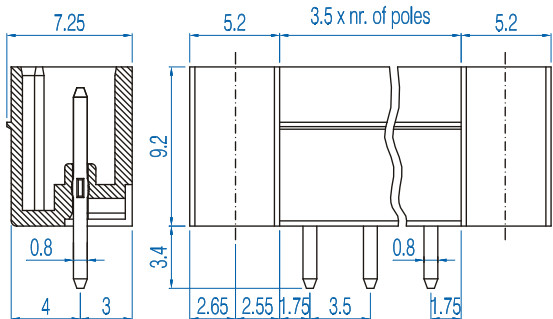
**INSTALLATION DATA**

Screw Size	–	PCB Hole Size	1.3mm
Torque	–	Stripping Lgth.	–

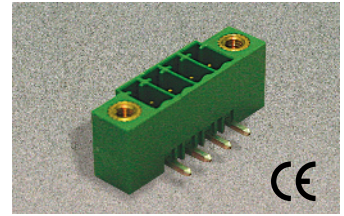
**MATERIAL**

Body	Polyamide	Screw	–
Flammability Class	UL94V-0	Terminal	Tin-Plated Brass
Temperature Limit	105°C UL 125°C IEC	Clamp	–
Color	Green		

No. Poles	Cat. #	Length (mm)	Std. Pk.
2	PV02-3.50-K	17.4	100
3	PV03-3.50-K	20.9	100
4	PV04-3.50-K	24.4	50
5	PV05-3.50-K	27.9	50
6	PV06-3.50-K	31.4	50
7	PV07-3.50-K	34.9	50
8	PV08-3.50-K	38.4	50
9	PV09-3.50-K	41.9	50
10	PV10-3.50-K	45.4	50
11	PV11-3.50-K	48.9	50
12	PV12-3.50-K	52.4	50
13	PV13-3.50-K	55.9	20
14	PV14-3.50-K	59.4	20
15	PV15-3.50-K	62.9	20
16	PV16-3.50-K	66.4	20
17	PV17-3.50-K	69.9	20
18	PV18-3.50-K	73.4	20
19	PV19-3.50-K	76.9	20
20	PV20-3.50-K	80.4	20
21	PV21-3.50-K	83.9	20
22	PV22-3.50-K	87.4	20



Pin Spacing: 3.50mm  
 Orientation: Horizontal Header with Screw Flange  
 Clamp Type: –  
 Design: Single Mold



**PHxx-3.50-K**

**ELECTRICAL**

	Current	Voltage	Wire Range
	8A	300V	–
	8A	130V	–

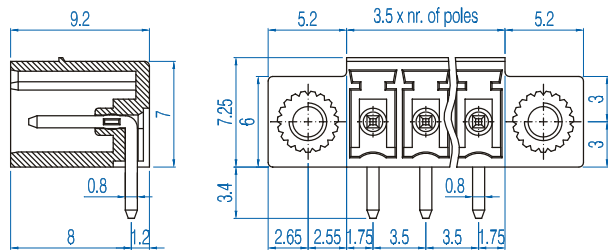
**INSTALLATION DATA**

Screw Size	–	PCB Hole Size	1.3mm
Torque	–	Stripping Lgth.	–

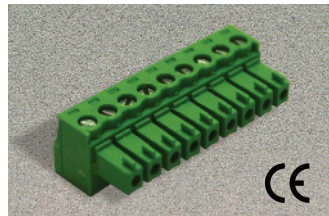
**MATERIAL**

Body	Polyamide	Screw	–
Flammability Class	UL94V-0	Terminal	Tin-Plated Brass
Temperature Limit	105°C UL 125°C IEC	Clamp	–
Color	Green		

No. Poles	Cat. #	Length (mm)	Std. Pk.
2	PH02-3.50-K	17.4	100
3	PH03-3.50-K	20.9	100
4	PH04-3.50-K	24.4	50
5	PH05-3.50-K	27.9	50
6	PH06-3.50-K	31.4	50
7	PH07-3.50-K	34.9	50
8	PH08-3.50-K	38.4	50
9	PH09-3.50-K	41.9	50
10	PH10-3.50-K	45.4	50
11	PH11-3.50-K	48.9	50
12	PH12-3.50-K	52.4	50
13	PH13-3.50-K	55.9	20
14	PH14-3.50-K	59.4	20
15	PH15-3.50-K	62.9	20
16	PH16-3.50-K	66.4	20
17	PH17-3.50-K	69.9	20
18	PH18-3.50-K	73.4	20
19	PH19-3.50-K	76.9	20
20	PH20-3.50-K	80.4	20
21	PH21-3.50-K	83.9	20
22	PH22-3.50-K	87.4	20





Pin Spacing: 3.81mm  
 Orientation: Horizontal Plug  
 Clamp Type: Screw Cage  
 Design: Single Mold



**SHxx-3.81**

**ELECTRICAL**

	Current	Voltage	Wire Range
	8A	300V	30-16AWG
	8A	130V	1.5mm <sup>2</sup> Stranded 1.5mm <sup>2</sup> Solid

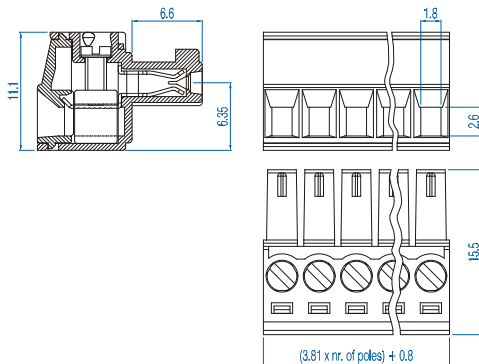
**INSTALLATION DATA**

<b>Screw Size</b>	M2	<b>PCB Hole Size</b>	–
<b>Torque</b>	0.2Nm (1.8lbf-in)	<b>Stripping Lgth.</b>	8mm

**MATERIAL**

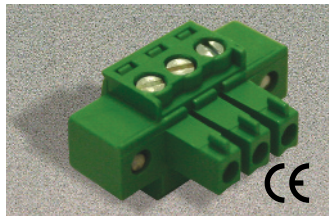
<b>Body</b>	Polyamide	<b>Screw</b>	Galvanized Steel
<b>Flammability Class</b>	UL94V-0	<b>Terminal</b>	Tin-Plated Brass
<b>Temperature Limit</b>	105°C UL 125°C IEC	<b>Clamp</b>	Nickeled Brass
<b>Color</b>	Green		

No. Poles	Cat. #	Length (mm)	Std. Pk.
2	SH02-3.81	8.4	100
3	SH03-3.81	12.2	100
4	SH04-3.81	16.0	50
5	SH05-3.81	19.9	50
6	SH06-3.81	23.7	50
7	SH07-3.81	27.5	50
8	SH08-3.81	31.3	50
9	SH09-3.81	35.1	50
10	SH10-3.81	38.9	50
11	SH11-3.81	42.7	50
12	SH12-3.81	46.5	50
13	SH13-3.81	50.3	20
14	SH14-3.81	54.1	20
15	SH15-3.81	58.0	20
16	SH16-3.81	61.8	20
17	SH17-3.81	65.6	20
18	SH18-3.81	69.4	20
19	SH19-3.81	73.2	20
20	SH20-3.81	77.0	20
21	SH21-3.81	80.8	20
22	SH22-3.81	84.6	20
23	SH23-3.81	88.4	20
24	SH24-3.81	92.2	20



# 3.81mm Pin Spacing – Pluggable PCB Blocks

Pin Spacing: 3.81mm  
 Orientation: Horizontal Plug  
 with Screw Flange  
 Clamp Type: Screw Cage  
 Design: Single Mold



**SHxx-3.81-K**

**ELECTRICAL**

	Current	Voltage	Wire Range
	8A	300V	30-16AWG
	8A	130V	1.5mm <sup>2</sup> Stranded 1.5mm <sup>2</sup> Solid

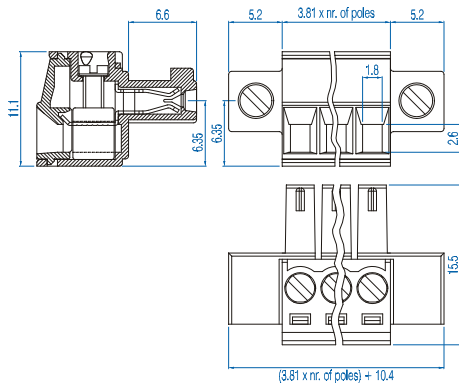
**INSTALLATION DATA**

<b>Screw Size</b>	M2	<b>PCB Hole Size</b>	–
<b>Torque</b>	0.2Nm (1.8lbf-in)	<b>Stripping Lgth.</b>	8mm

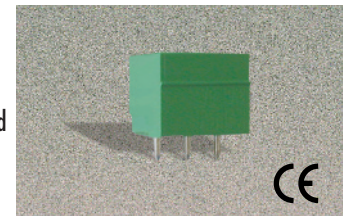
**MATERIAL**

<b>Body</b>	Polyamide	<b>Screw</b>	Galvanized Steel
<b>Flammability Class</b>	UL94V-0	<b>Terminal</b>	Tin-Plated Brass
<b>Temperature Limit</b>	105°C UL 125°C IEC	<b>Clamp</b>	Nickeled Brass
<b>Color</b>	Green		

No. Poles	Cat. #	Length (mm)	Std. Pk.
2	SH02-3.81-K	18.0	100
3	SH03-3.81-K	21.8	100
4	SH04-3.81-K	25.6	50
5	SH05-3.81-K	29.5	50
6	SH06-3.81-K	33.3	50
7	SH07-3.81-K	37.1	50
8	SH08-3.81-K	40.9	50
9	SH09-3.81-K	44.7	50
10	SH10-3.81-K	48.5	50
11	SH11-3.81-K	52.3	50
12	SH12-3.81-K	56.1	50
13	SH13-3.81-K	59.9	20
14	SH14-3.81-K	63.7	20
15	SH15-3.81-K	67.6	20
16	SH16-3.81-K	71.4	20
17	SH17-3.81-K	75.2	20
18	SH18-3.81-K	79.0	20
19	SH19-3.81-K	82.8	20
20	SH20-3.81-K	86.6	20
21	SH21-3.81-K	90.4	20
22	SH22-3.81-K	94.2	20



Pin Spacing: 3.81mm  
 Orientation: Vertical Header  
 Clamp Type: –  
 Design: Single Mold - Closed End



**PVPxx-3.81**

**ELECTRICAL**

	Current	Voltage	Wire Range
	8A	300V	–
	8A	250V	–

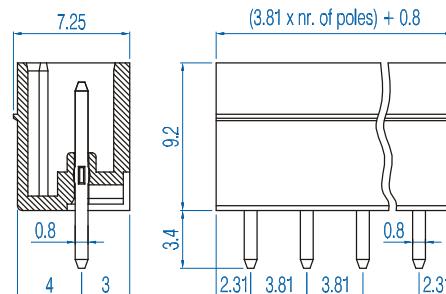
**INSTALLATION DATA**

<b>Screw Size</b>	–	<b>PCB Hole Size</b>	1.3mm
<b>Torque</b>	–	<b>Stripping Lgth.</b>	–

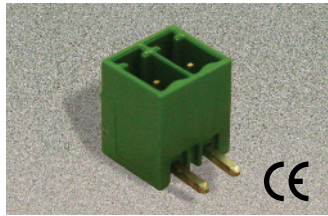
**MATERIAL**

<b>Body</b>	Polyamide	<b>Screw</b>	–
<b>Flammability Class</b>	UL94V-0	<b>Terminal</b>	Tin-Plated Brass
<b>Temperature Limit</b>	105°C UL 125°C IEC	<b>Clamp</b>	–
<b>Color</b>	Green		

No. Poles	Cat. #	Length (mm)	Std. Pk.
2	PVP02-3.81	8.4	100
3	PVP03-3.81	12.2	100
4	PVP04-3.81	16.0	50
5	PVP05-3.81	19.9	50
6	PVP06-3.81	23.7	50
7	PVP07-3.81	27.5	50
8	PVP08-3.81	31.3	50
9	PVP09-3.81	35.1	50
10	PVP10-3.81	38.9	50
11	PVP11-3.81	42.7	50
12	PVP12-3.81	46.5	50
13	PVP13-3.81	50.3	20
14	PVP14-3.81	54.1	20
15	PVP15-3.81	58.0	20
16	PVP16-3.81	61.8	20
17	PVP17-3.81	65.6	20
18	PVP18-3.81	69.4	20
19	PVP19-3.81	73.2	20
20	PVP20-3.81	77.0	20
21	PVP21-3.81	80.8	20
22	PVP22-3.81	84.6	20
23	PVP23-3.81	88.4	20
24	PVP24-3.81	92.2	20



Pin Spacing: 3.81mm  
 Orientation: Horizontal Header  
 Clamp Type: –  
 Design: Single Mold - Closed End



**PHPxx-3.81**

**ELECTRICAL**

	Current	Voltage	Wire Range
	8A	300V	–
	8A	250V	–

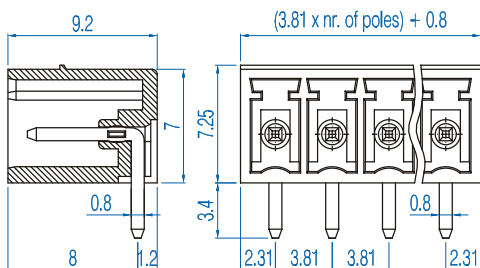
**INSTALLATION DATA**

Screw Size	–	PCB Hole Size	1.3mm
Torque	–	Stripping Lgth.	–

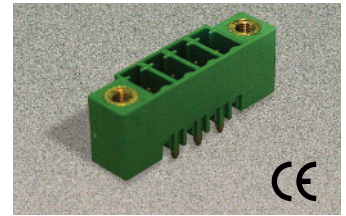
**MATERIAL**

Body	Polyamide	Screw	–
Flammability Class	UL94V-0	Terminal	Tin-Plated Brass
Temperature Limit	105°C UL 125°C IEC	Clamp	–
Color	Green		

No. Poles	Cat. #	Length (mm)	Std. Pk.
2	PHP02-3.81	8.4	100
3	PHP03-3.81	12.2	100
4	PHP04-3.81	16.0	50
5	PHP05-3.81	19.9	50
6	PHP06-3.81	23.7	50
7	PHP07-3.81	27.5	50
8	PHP08-3.81	31.3	50
9	PHP09-3.81	35.1	50
10	PHP10-3.81	38.9	50
11	PHP11-3.81	42.7	50
12	PHP12-3.81	46.5	50
13	PHP13-3.81	50.3	20
14	PHP14-3.81	54.1	20
15	PHP15-3.81	58.0	20
16	PHP16-3.81	61.8	20
17	PHP17-3.81	65.6	20
18	PHP18-3.81	69.4	20
19	PHP19-3.81	73.2	20
20	PHP20-3.81	77.0	20
21	PHP21-3.81	80.8	20
22	PHP22-3.81	84.6	20
23	PHP23-3.81	88.4	20
24	PHP24-3.81	92.2	20





Pin Spacing: 3.81mm  
 Orientation: Vertical Header  
 with Screw Flange  
 Clamp Type: –  
 Design: Single Mold



**PVxx-3.81-K**

**ELECTRICAL**

	Current	Voltage	Wire Range
	8A	300V	–
	8A	130V	–

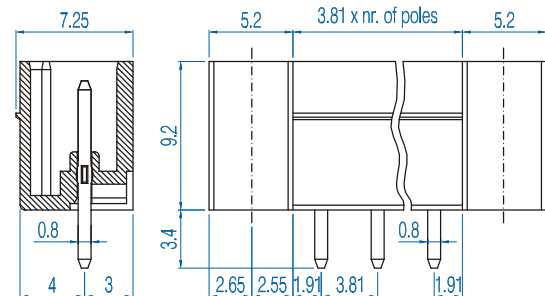
**INSTALLATION DATA**

Screw Size	–	PCB Hole Size	1.3mm
Torque	–	Stripping Lgth.	–

**MATERIAL**

Body	Polyamide	Screw	–
Flammability Class	UL94V-0	Terminal	Tin-Plated Brass
Temperature Limit	105°C UL 125°C IEC	Clamp	–
Color	Green		

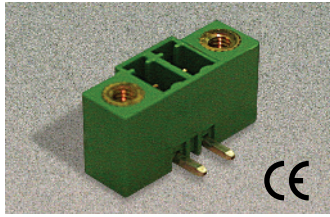
No. Poles	Cat. #	Length (mm)	Std. Pk.
2	PV2-3.81-K	18.0	100
3	PV03-3.81-K	21.8	100
4	PV04-3.81-K	25.6	50
5	PV05-3.81-K	29.5	50
6	PV06-3.81-K	33.3	50
7	PV07-3.81-K	37.1	50
8	PV08-3.81-K	40.9	50
9	PV09-3.81-K	44.7	50
10	PV10-3.81-K	48.5	50
11	PV11-3.81-K	52.3	50
12	PV12-3.81-K	56.1	50
13	PV13-3.81-K	59.9	20
14	PV14-3.81-K	63.7	20
15	PV15-3.81-K	67.6	20
16	PV16-3.81-K	71.4	20
17	PV17-3.81-K	75.2	20
18	PV18-3.81-K	79.0	20
19	PV19-3.81-K	82.8	20
20	PV20-3.81-K	86.6	20
21	PV21-3.81-K	90.4	20
22	PV22-3.81-K	94.2	20





# 3.81 and 5.00mm Pin Spacing – Pluggable PCB Blocks

Pin Spacing: 3.81mm  
 Orientation: Horizontal Header with Screw Flange  
 Clamp Type: –  
 Design: Single Mold



**PHxx-3.81-K**

**ELECTRICAL**

	Current	Voltage	Wire Range
	8A	300V	–
	8A	130V	–

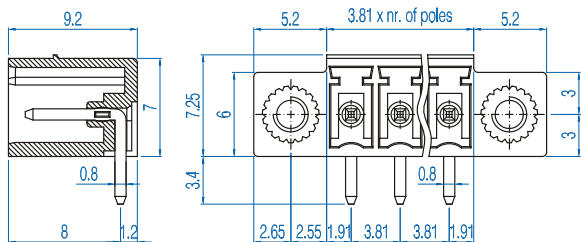
**INSTALLATION DATA**

<b>Screw Size</b>	–	<b>PCB Hole Size</b>	1.3mm
<b>Torque</b>	–	<b>Stripping Lgth.</b>	–

**MATERIAL**

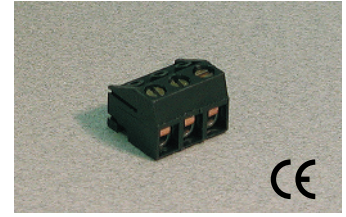
<b>Body</b>	Polyamide	<b>Screw</b>	–
<b>Flammability Class</b>	UL94V-0	<b>Terminal</b>	Tin-Plated Brass
<b>Temperature Limit</b>	105°C UL 125°C IEC	<b>Clamp</b>	–
<b>Color</b>	Green		

No. Poles	Cat. #	Length (mm)	Std. Pk.
2	PH02-3.81-K	18.0	100
3	PH03-3.81-K	21.8	100
4	PH04-3.81-K	25.6	50
5	PH05-3.81-K	29.5	50
6	PH06-3.81-K	33.3	50
7	PH07-3.81-K	37.1	50
8	PH08-3.81-K	40.9	50
9	PH09-3.81-K	44.7	50
10	PH10-3.81-K	48.5	50
11	PH11-3.81-K	52.3	50
12	PH12-3.81-K	56.1	50
13	PH13-3.81-K	59.9	20
14	PH14-3.81-K	63.7	20
15	PH15-3.81-K	67.6	20
16	PH16-3.81-K	71.4	20
17	PH17-3.81-K	75.2	20
18	PH18-3.81-K	79.0	20
19	PH19-3.81-K	82.8	20
20	PH20-3.81-K	86.6	20
21	PH21-3.81-K	90.4	20
22	PH22-3.81-K	94.2	20



\* Also available in 10.

Pin Spacing: 5.00mm\*  
 Orientation: Horizontal Plug  
 Clamp Type: Tubular Screw with Wire Protector  
 Design: Modular



**SHSxx-5.00**

**ELECTRICAL**

	Current	Voltage	Wire Range
	10A	300V	30-16AWG

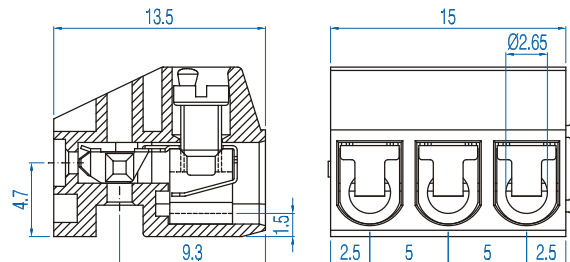
**INSTALLATION DATA**

<b>Screw Size</b>	M2.6	<b>PCB Hole Size</b>	–
<b>Torque</b>	0.5Nm (4.5 lbf-in.)	<b>Stripping Lgth.</b>	6.0mm

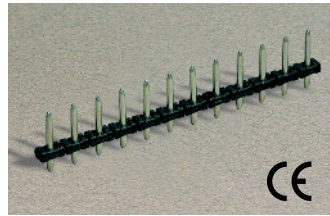
**MATERIAL**

<b>Body</b>	Glass-Filled Polyester	<b>Screw</b>	Galvanized Steel
<b>Flammability Class</b>	UL94V-0	<b>Terminal</b>	Cu-Be
<b>Temperature Limit</b>	120°C	<b>Wire Protector</b>	Tin-Plated Brass
<b>Color</b>	Black		

No. Poles	Cat. #	Length (mm)	Std. Pk.
2	SHS02-5.00	10.0	100
3	SHS03-5.00	15.0	100
4	SHS04-5.00	20.0	100
5	SHS05-5.00	25.0	50
6	SHS06-5.00	30.0	50
7	SHS07-5.00	35.0	50
8	SHS08-5.00	40.0	50
9	SHS09-5.00	45.0	50
10	SHS10-5.00	50.0	50
11	SHS11-5.00	55.0	50
12	SHS12-5.00	60.0	50
13	SHS13-5.00	65.0	50
14	SHS14-5.00	70.0	20
15	SHS15-5.00	75.0	20
16	SHS16-5.00	80.0	20
17	SHS17-5.00	85.0	20
18	SHS18-5.00	90.0	20
19	SHS19-5.00	95.0	20
20	SHS20-5.00	100.0	20
21	SHS21-5.00	105.0	20
22	SHS22-5.00	110.0	20
23	SHS23-5.00	115.0	20
24	SHS24-5.00	120.0	20




Pin Spacing: 5.00mm\*  
 Orientation: Vertical-Pin Header  
 Clamp Type: –  
 Design: Breakaway



**PVSxx-5.00**

**ELECTRICAL**

	Current	Voltage	Wire Range
	10A	300V	–

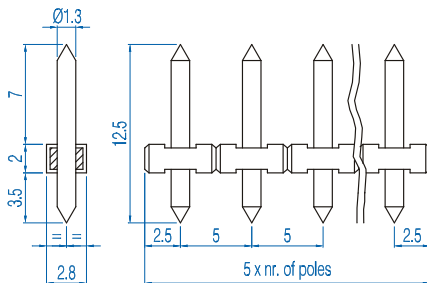
**INSTALLATION DATA**

<b>Screw Size</b>	–	<b>PCB Hole Size</b>	1.5mm
<b>Torque</b>	–	<b>Stripping Lgth.</b>	–

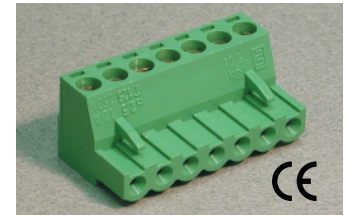
**MATERIAL**

<b>Body</b>	Polyamide	<b>Screw</b>	–
<b>Flammability Class</b>	UL94V-0	<b>Terminal</b>	Tin-Plated Brass
<b>Temperature Limit</b>	125°C	<b>Clamp</b>	–
<b>Color</b>	Black		

No. Poles	Cat. #	Length (mm)	Std. Pk.
2	PVS02-5.00	10.0	100
3	PVS03-5.00	15.0	100
4	PVS04-5.00	20.0	100
5	PVS05-5.00	25.0	50
6	PVS06-5.00	30.0	50
7	PVS07-5.00	35.0	50
8	PVS08-5.00	40.0	50
9	PVS09-5.00	45.0	50
10	PVS10-5.00	50.0	50
11	PVS11-5.00	55.0	50
12	PVS12-5.00	60.0	50
13	PVS13-5.00	65.0	50
14	PVS14-5.00	70.0	20
15	PVS15-5.00	75.0	20
16	PVS16-5.00	80.0	20
17	PVS17-5.00	85.0	20
18	PVS18-5.00	90.0	20
19	PVS19-5.00	95.0	20
20	PVS20-5.00	100.0	20
21	PVS21-5.00	105.0	20
22	PVS22-5.00	110.0	20
23	PVS23-5.00	115.0	20
24	PVS24-5.00	120.0	20





Pin Spacing: 5.00mm  
 Orientation: Horizontal Plug  
 Clamp Type: Screw Cage  
 Design: Single Mold



**SHxx-5.00**

**ELECTRICAL**

	Current	Voltage	Wire Range
	12A	300V	30-14AWG
	16A	450V	2.5mm² Stranded 4.0mm² Solid

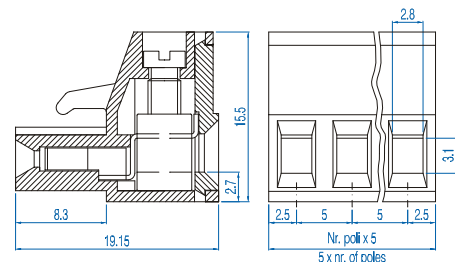
**INSTALLATION DATA**

<b>Screw Size</b>	M3	<b>PCB Hole Size</b>	–
<b>Torque</b>	0.5Nm (4.5 lbf-in.)	<b>Stripping Lgth.</b>	7.5mm

**MATERIAL**

<b>Body</b>	Polyamide	<b>Screw</b>	Galvanized Steel
<b>Flammability Class</b>	UL94V-0	<b>Terminal</b>	Nickeled Brass
<b>Temperature Limit</b>	105°C UL 125°C IEC	<b>Clamp</b>	Nickeled Brass
<b>Color</b>	Green		

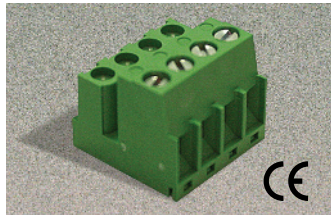
No. Poles	Cat. #	Length (mm)	Std. Pk.
2	SH02-5.00	10.0	100
3	SH03-5.00	15.0	100
4	SH04-5.00	20.0	100
5	SH05-5.00	25.0	50
6	SH06-5.00	30.0	50
7	SH07-5.00	35.0	50
8	SH08-5.00	40.0	50
9	SH09-5.00	45.0	50
10	SH10-5.00	50.0	50
11	SH11-5.00	55.0	50
12	SH12-5.00	60.0	50
13	SH13-5.00	65.0	50
14	SH14-5.00	70.0	20
15	SH15-5.00	75.0	20
16	SH16-5.00	80.0	20
17	SH17-5.00	85.0	20
18	SH18-5.00	90.0	20
19	SH19-5.00	95.0	20
20	SH20-5.00	100.0	20
21	SH21-5.00	105.0	20
22	SH22-5.00	110.0	20
23	SH23-5.00	115.0	20
24	SH24-5.00	120.0	20



\* Also available in 10.00mm pin spacing

# 5.00mm Pin Spacing – Pluggable PCB Blocks

Pin Spacing: 5.00mm  
 Orientation: Vertical Plug  
 Clamp Type: Screw Cage  
 Design: Single Mold



**SVRxx-5.00**

**ELECTRICAL**

	Current	Voltage	Wire Range
	12A	300V	30-14AWG
	16A	250V	2.5mm <sup>2</sup> Stranded 4.0mm <sup>2</sup> Solid

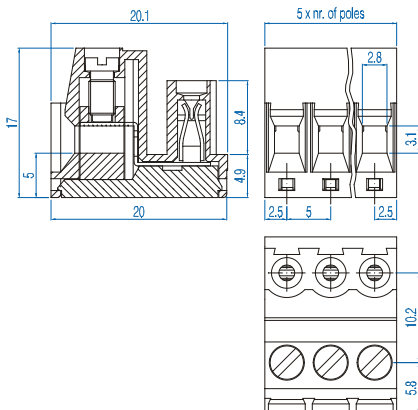
**INSTALLATION DATA**

<b>Screw Size</b>	M3	<b>PCB Hole Size</b>	–
<b>Torque</b>	0.5Nm (4.5 lbf-in.)	<b>Stripping Lgth.</b>	7.5mm

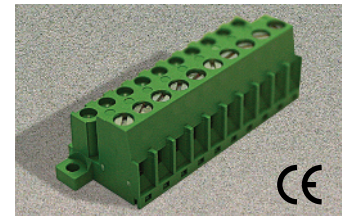
**MATERIAL**

<b>Body</b>	Polyamide	<b>Screw</b>	Galvanized Steel
<b>Flammability Class</b>	UL94V-0	<b>Terminal</b>	Tin-Plated Brass
<b>Temperature Limit</b>	105°C UL 125°C IEC	<b>Clamp</b>	Nickeled Brass
<b>Color</b>	Green		

No. Poles	Cat. #	Length (mm)	Std. Pk.
2	SVR02-5.00	10.00	100
3	SVR03-5.00	15.00	100
4	SVR04-5.00	20.00	50
5	SVR05-5.00	25.00	50
6	SVR06-5.00	30.00	50
7	SVR07-5.00	35.00	50
8	SVR08-5.00	40.00	50
9	SVR09-5.00	45.00	50
10	SVR10-5.00	50.00	50
11	SVR11-5.00	55.00	50
12	SVR12-5.00	60.00	50
13	SVR13-5.00	65.00	20
14	SVR14-5.00	70.00	20
15	SVR15-5.00	75.00	20
16	SVR16-5.00	80.00	20
17	SVR17-5.00	85.00	20
18	SVR18-5.00	90.00	20
19	SVR19-5.00	95.00	20
20	SVR20-5.00	100.00	20
21	SVR21-5.00	105.00	20
22	SVR22-5.00	110.00	20
23	SVR23-5.00	115.00	20
24	SVR24-5.00	120.00	20



Pin Spacing: 5.00mm  
 Orientation: Vertical Plug with flange  
 Clamp Type: Screw Cage  
 Design: Single Mold



**SVRxx-5.00-K**

**ELECTRICAL**

	Current	Voltage	Wire Range
	12A	300V	30-14AWG
	16A	250V	2.5mm <sup>2</sup> Stranded 4.0mm <sup>2</sup> Solid

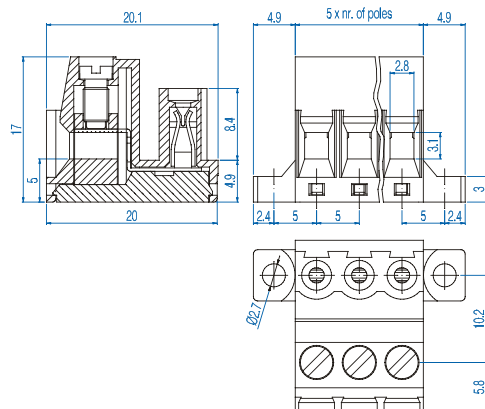
**INSTALLATION DATA**

<b>Screw Size</b>	M3	<b>PCB Hole Size</b>	–
<b>Torque</b>	0.5Nm (4.5 lbf-in.)	<b>Stripping Lgth.</b>	7.5mm

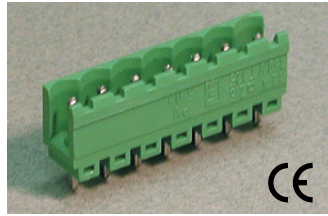
**MATERIAL**

<b>Body</b>	Polyamide	<b>Screw</b>	Galvanized Steel
<b>Flammability Class</b>	UL94V-0	<b>Terminal</b>	Tin-Plated Brass
<b>Temperature Limit</b>	105°C UL 125°C IEC	<b>Clamp</b>	Nickeled Brass
<b>Color</b>	Green		

No. Poles	Cat. #	Length (mm)	Std. Pk.
2	SVR02-5.00-K	19.8	100
3	SVR03-5.00-K	24.8	100
4	SVR04-5.00-K	29.8	50
5	SVR05-5.00-K	34.8	50
6	SVR06-5.00-K	39.8	50
7	SVR07-5.00-K	44.8	50
8	SVR08-5.00-K	49.8	50
9	SVR09-5.00-K	54.8	50
10	SVR10-5.00-K	59.8	50
11	SVR11-5.00-K	64.8	50
12	SVR12-5.00-K	69.8	50
13	SVR13-5.00-K	74.8	20
14	SVR14-5.00-K	79.8	20
15	SVR15-5.00-K	84.8	20
16	SVR16-5.00-K	89.8	20
17	SVR17-5.00-K	94.8	20
18	SVR18-5.00-K	99.8	20
19	SVR19-5.00-K	104.8	20
20	SVR20-5.00-K	109.8	20
21	SVR21-5.00-K	114.8	20
22	SVR22-5.00-K	119.8	20



Pin Spacing: 5.00mm  
 Orientation: Vertical Header  
 Clamp Type: –  
 Design: Single Mold-Open End



**PVxx-5.00**

**ELECTRICAL**

	Current	Voltage	Wire Range
	12A	300V	–
	16A	450V	–

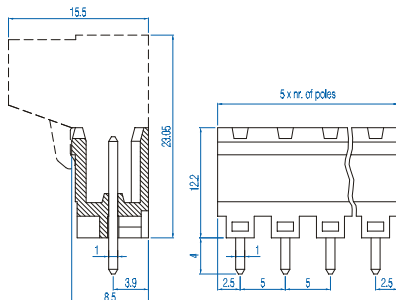
**INSTALLATION DATA**

Screw Size	–	PCB Hole Size	1.5mm
Torque	–	Stripping Lgth.	–

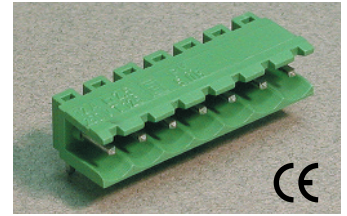
**MATERIAL**

Body	Polyamide	Screw	–
Flammability Class	UL94V-0	Terminal	Tin-Plated Brass
Temperature Limit	105°C UL 125°C IEC	Clamp	–
Color	Green		

No. Poles	Cat. #	Length (mm)	Std. Pk.
2	PV02-5.00	10.0	100
3	PV03-5.00	15.0	100
4	PV04-5.00	20.0	50
5	PV05-5.00	25.0	50
6	PV06-5.00	30.0	50
7	PV07-5.00	35.0	50
8	PV08-5.00	40.0	50
9	PV09-5.00	45.0	50
10	PV10-5.00	50.0	50
11	PV11-5.00	55.0	50
12	PV12-5.00	60.0	50
13	PV13-5.00	65.0	20
14	PV14-5.00	70.0	20
15	PV15-5.00	75.0	20
16	PV16-5.00	80.0	20
17	PV17-5.00	85.0	20
18	PV18-5.00	90.0	20
19	PV19-5.00	95.0	20
20	PV20-5.00	100.0	20
21	PV21-5.00	105.0	20
22	PV22-5.00	110.0	20
23	PV23-5.00	115.0	20
24	PV24-5.00	120.0	20



Pin Spacing: 5.00mm  
 Orientation: Horizontal Header  
 Clamp Type: –  
 Design: Single Mold - Open End



**PHxx-5.00**

**ELECTRICAL**

	Current	Voltage	Wire Range
	12A	300V	–
	16A	450V	–

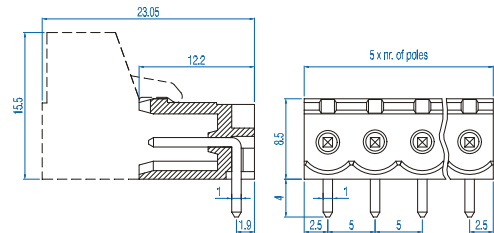
**INSTALLATION DATA**

Screw Size	–	PCB Hole Size	1.5mm
Torque	–	Stripping Lgth.	–

**MATERIAL**

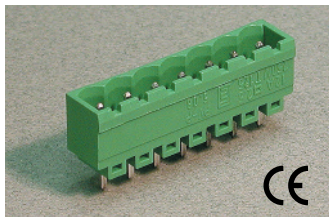
Body	Polyamide	Screw	–
Flammability Class	UL94V-0	Terminal	Tin-Plated Brass
Temperature Limit	105°C UL 125°C IEC	Clamp	–
Color	Green		

No. Poles	Cat. #	Length (mm)	Std. Pk.
2	PH02-5.00	10.0	100
3	PH03-5.00	15.0	100
4	PH04-5.00	20.0	50
5	PH05-5.00	25.0	50
6	PH06-5.00	30.0	50
7	PH07-5.00	35.0	50
8	PH08-5.00	40.0	50
9	PH09-5.00	45.0	50
10	PH10-5.00	50.0	50
11	PH11-5.00	55.0	50
12	PH12-5.00	60.0	50
13	PH13-5.00	65.0	20
14	PH14-5.00	70.0	20
15	PH15-5.00	75.0	20
16	PH16-5.00	80.0	20
17	PH17-5.00	85.0	20
18	PH18-5.00	90.0	20
19	PH19-5.00	95.0	20
20	PH20-5.00	100.0	20
21	PH21-5.00	105.0	20
22	PH22-5.00	110.0	20
23	PH23-5.00	115.0	20
24	PH24-5.00	120.0	20



# 5.00mm Pin Spacing – Pluggable PCB Blocks

Pin Spacing: 5.00mm  
 Orientation: Vertical Header  
 Clamp Type: –  
 Design: Single Mold - Closed End



**PVPxx-5.00**

**ELECTRICAL**

	Current	Voltage	Wire Range
	12A	300V	–
	16A	450V	–

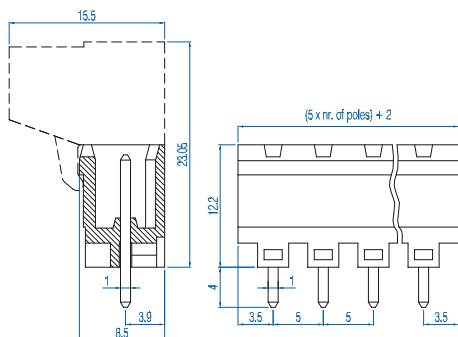
**INSTALLATION DATA**

Screw Size	–	PCB Hole Size	1.5mm
Torque	–	Stripping Lgth.	–

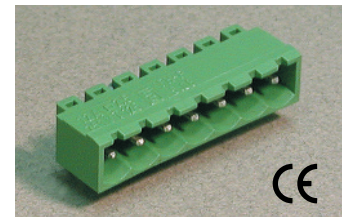
**MATERIAL**

Body	Polyamide	Screw	–
Flammability Class	UL94V-0	Terminal	Tin-Plated Brass
Temperature Limit	105°C UL 125°C IEC	Clamp	–
Color	Green		

No. Poles	Cat. #	Length (mm)	Std. Pk.
2	PVP02-5.00	12.0	100
3	PVP03-5.00	17.0	100
4	PVP04-5.00	22.0	50
5	PVP05-5.00	27.0	50
6	PVP06-5.00	32.0	50
7	PVP07-5.00	37.0	50
8	PVP08-5.00	42.0	50
9	PVP09-5.00	47.0	50
10	PVP10-5.00	52.0	50
11	PVP11-5.00	57.0	50
12	PVP12-5.00	62.0	50
13	PVP13-5.00	67.0	20
14	PVP14-5.00	72.0	20
15	PVP15-5.00	77.0	20
16	PVP16-5.00	82.0	20
17	PVP17-5.00	87.0	20
18	PVP18-5.00	92.0	20
19	PVP19-5.00	97.0	20
20	PVP20-5.00	102.0	20
21	PVP21-5.00	107.0	20
22	PVP22-5.00	112.0	20
23	PVP23-5.00	117.0	20
24	PVP24-5.00	122.0	20



Pin Spacing: 5.00mm  
 Orientation: Horizontal Header  
 Clamp Type: –  
 Design: Single Mold - Closed End



**PHPxx-5.00**

**ELECTRICAL**

	Current	Voltage	Wire Range
	12A	300V	–
	16A	450V	–

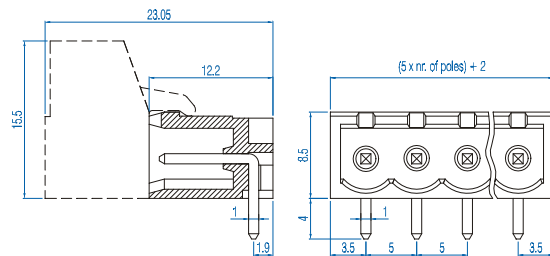
**INSTALLATION DATA**

Screw Size	–	PCB Hole Size	1.5mm
Torque	–	Stripping Lgth.	–

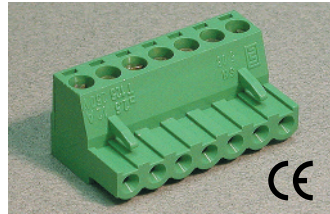
**MATERIAL**

Body	Polyamide	Screw	–
Flammability Class	UL94V-0	Terminal	Tin-Plated Brass
Temperature Limit	105°C UL 125°C IEC	Clamp	–
Color	Green		

No. Poles	Cat. #	Length (mm)	Std. Pk.
2	PHP02-5.00	12.0	100
3	PHP03-5.00	17.0	100
4	PHP04-5.00	22.0	50
5	PHP05-5.00	27.0	50
6	PHP06-5.00	32.0	50
7	PHP07-5.00	37.0	50
8	PHP08-5.00	42.0	50
9	PHP09-5.00	47.0	50
10	PHP10-5.00	52.0	50
11	PHP11-5.00	57.0	50
12	PHP12-5.00	62.0	50
13	PHP13-5.00	67.0	20
14	PHP14-5.00	72.0	20
15	PHP15-5.00	77.0	20
16	PHP16-5.00	82.0	20
17	PHP17-5.00	87.0	20
18	PHP18-5.00	92.0	20
19	PHP19-5.00	97.0	20
20	PHP20-5.00	102.0	20
21	PHP21-5.00	107.0	20
22	PHP22-5.00	112.0	20
23	PHP23-5.00	117.0	20
24	PHP24-5.00	122.0	20





Pin Spacing: 5.08mm  
 Orientation: Horizontal Plug  
 Clamp Type: Screw Cage  
 Design: Single Mold



**SHxx-5.08**

**ELECTRICAL**

	Current	Voltage	Wire Range
	12A	300V	30-14AWG
	16A	450V	2.5mm <sup>2</sup> Stranded 4.0mm <sup>2</sup> Solid

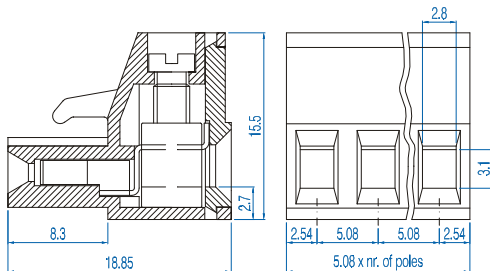
**INSTALLATION DATA**

<b>Screw Size</b>	M3	<b>PCB Hole Size</b>	–
<b>Torque</b>	0.5Nm (4.5 lbf-in.)	<b>Stripping Lgth.</b>	7.5mm

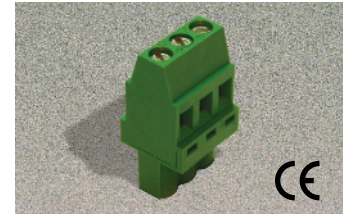
**MATERIAL**

<b>Body</b>	Polyamide	<b>Screw</b>	Galvanized Steel
<b>Flammability Class</b>	UL94V-0	<b>Terminal</b>	Nickel Brass
<b>Temperature Limit</b>	105°C UL 125°C IEC	<b>Clamp</b>	Nickel Brass
<b>Color</b>	Green		

No. Poles	Cat. #	Length (mm)	Std. Pk.
2	SH02-5.08	10.2	100
3	SH03-5.08	15.2	100
4	SH04-5.08	20.3	50
5	SH05-5.08	25.4	50
6	SH06-5.08	30.5	50
7	SH07-5.08	35.6	50
8	SH08-5.08	40.6	50
9	SH09-5.08	45.7	50
10	SH10-5.08	50.8	50
11	SH11-5.08	55.9	50
12	SH12-5.08	61.0	50
13	SH13-5.08	66.0	20
14	SH14-5.08	71.1	20
15	SH15-5.08	76.2	20
16	SH16-5.08	81.3	20
17	SH17-5.08	86.4	20
18	SH18-5.08	91.4	20
19	SH19-5.08	96.5	20
20	SH20-5.08	101.6	20
21	SH21-5.08	106.7	20
22	SH22-5.08	111.8	20
23	SH23-5.08	116.6	20
24	SH24-5.08	121.9	20





Pin Spacing: 5.08mm  
 Orientation: Vertical Plug-Wire Entry on Scalloped Side  
 Clamp Type: Screw Cage  
 Design: Single Mold



**SVPxx-5.08**

**ELECTRICAL**

	Current	Voltage	Wire Range
	12A	300V	30-14AWG
	16A	450V	2.5mm <sup>2</sup> Stranded 4.0mm <sup>2</sup> Solid

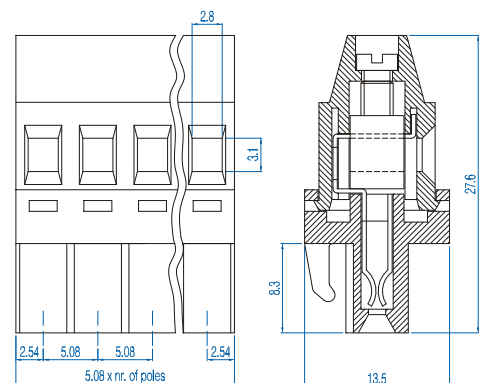
**INSTALLATION DATA**

<b>Screw Size</b>	M3	<b>PCB Hole Size</b>	–
<b>Torque</b>	0.5Nm (4.5 lbf-in.)	<b>Stripping Lgth.</b>	9.1mm

**MATERIAL**

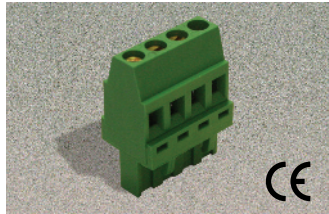
<b>Body</b>	Polyamide	<b>Screw</b>	Galvanized Steel
<b>Flammability Class</b>	UL94V-0	<b>Terminal</b>	Nickel Brass
<b>Temperature Limit</b>	105°C UL 125°C IEC	<b>Clamp</b>	Nickel Brass
<b>Color</b>	Green		

No. Poles	Cat. #	Length (mm)	Std. Pk.
2	SVP02-5.08	10.2	100
3	SVP03-5.08	15.2	100
4	SVP04-5.08	20.3	50
5	SVP05-5.08	25.4	50
6	SVP06-5.08	30.5	50
7	SVP07-5.08	35.6	50
8	SVP08-5.08	40.6	50
9	SVP09-5.08	45.7	50
10	SVP10-5.08	50.8	50
11	SVP11-5.08	55.9	50
12	SVP12-5.08	61.0	50
13	SVP13-5.08	66.0	20
14	SVP14-5.08	71.1	20
15	SVP15-5.08	76.2	20
16	SVP16-5.08	81.3	20
17	SVP17-5.08	86.4	20
18	SVP18-5.08	91.4	20
19	SVP19-5.08	96.5	20
20	SVP20-5.08	101.6	20
21	SVP21-5.08	106.7	20
22	SVP22-5.08	111.8	20
23	SVP23-5.08	116.6	20
24	SVP24-5.08	121.9	20



# 5.08mm Pin Spacing – Pluggable PCB Blocks

Pin Spacing: 5.08mm  
 Orientation: Vertical Plug-Wire Entry  
 on Locking Tab Side  
 Clamp Type: Screw Cage  
 Design: Single Mold



**SVFxx-5.08**

**ELECTRICAL**

	Current	Voltage	Wire Range
	12A	300V	30-14AWG
	16A	450V	2.5mm <sup>2</sup> Stranded 4.0mm <sup>2</sup> Solid

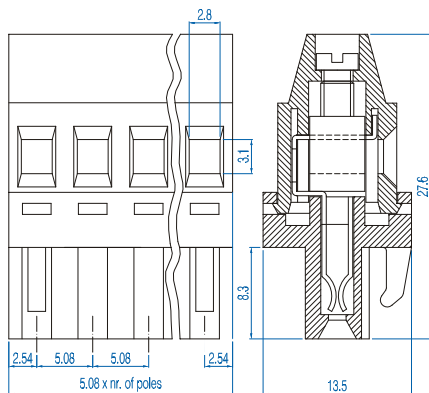
**INSTALLATION DATA**

<b>Screw Size</b>	M3	<b>PCB Hole Size</b>	–
<b>Torque</b>	0.5Nm (4.5 lbf-in.)	<b>Stripping Lgth.</b>	9.1mm

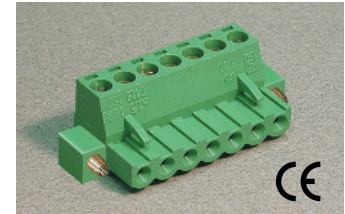
**MATERIAL**

<b>Body</b>	Polyamide	<b>Screw</b>	Galvanized Steel
<b>Flammability Class</b>	UL94V-0	<b>Terminal</b>	Nickeled Brass
<b>Temperature Limit</b>	105°C UL 125°C IEC	<b>Clamp</b>	Nickeled Brass
<b>Color</b>	Green		

No. Poles	Cat. #	Length (mm)	Std. Pk.
2	SVF02-5.08	10.2	100
3	SVF03-5.08	15.2	100
4	SVF04-5.08	20.3	50
5	SVF05-5.08	25.4	50
6	SVF06-5.08	30.5	50
7	SVF07-5.08	35.6	50
8	SVF08-5.08	40.6	50
9	SVF09-5.08	45.7	50
10	SVF10-5.08	50.8	50
11	SVF11-5.08	55.9	50
12	SVF12-5.08	61.0	50
13	SVF13-5.08	66.0	20
14	SVF14-5.08	71.1	20
15	SVF15-5.08	76.2	20
16	SVF16-5.08	81.3	20
17	SVF17-5.08	86.4	20
18	SVF18-5.08	91.4	20
19	SVF19-5.08	96.5	20
20	SVF20-5.08	101.6	20
21	SVF21-5.08	106.7	20
22	SVF22-5.08	111.8	20
23	SVF23-5.08	116.6	20
24	SVF24-5.08	121.9	20



Pin Spacing: 5.08mm  
 Orientation: Horizontal Plug with  
 Screw Flange  
 Clamp Type: Screw Cage  
 Design: Single Mold



**SHxx-5.08-K**

**ELECTRICAL**

	Current	Voltage	Wire Range
	12A	300V	30-14AWG
	16A	500V	2.5mm <sup>2</sup> Stranded 4.0mm <sup>2</sup> Solid

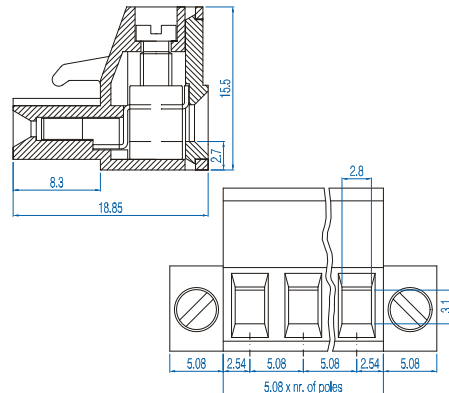
**INSTALLATION DATA**

<b>Screw Size</b>	M3	<b>PCB Hole Size</b>	–
<b>Torque</b>	0.5Nm (4.5 lbf-in.)	<b>Stripping Lgth.</b>	7.5mm

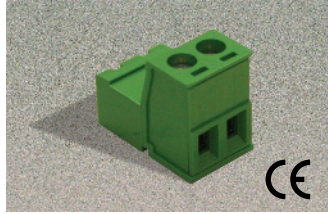
**MATERIAL**

<b>Body</b>	Polyamide	<b>Screw</b>	Galvanized Steel
<b>Flammability Class</b>	UL94V-0	<b>Terminal</b>	Nickeled Brass
<b>Temperature Limit</b>	105°C UL 125°C IEC	<b>Clamp</b>	Nickeled Brass
<b>Color</b>	Green		

No. Poles	Cat. #	Length (mm)	Std. Pk.
2	SH02-5.08 - K	20.3	100
3	SH03-5.08 - K	25.4	100
4	SH04-5.08 - K	30.5	50
5	SH05-5.08 - K	35.6	50
6	SH06-5.08 - K	40.6	50
7	SH07-5.08 - K	45.7	50
8	SH08-5.08 - K	50.8	50
9	SH09-5.08 - K	55.9	50
10	SH10-5.08 - K	61.0	50
11	SH11-5.08 - K	66.0	50
12	SH12-5.08 - K	71.1	50
13	SH13-5.08 - K	76.2	20
14	SH14-5.08 - K	81.3	20
15	SH15-5.08 - K	86.4	20
16	SH16-5.08 - K	91.4	20
17	SH17-5.08 - K	96.5	20
18	SH18-5.08 - K	101.6	20
19	SH19-5.08 - K	106.7	20
20	SH20-5.08 - K	111.8	20
21	SH21-5.08 - K	116.6	20
22	SH22-5.08 - K	121.9	20



Pin Spacing: 5.08mm  
 Orientation: Horizontal Inverted Plug  
 Clamp Type: Screw Cage  
 Design: Single Mold



**SFxx-5.08**

**ELECTRICAL**

	Current	Voltage	Wire Range
	12A	300V	30-14AWG
	16A	450V	2.5mm <sup>2</sup> Stranded 4.0mm <sup>2</sup> Solid

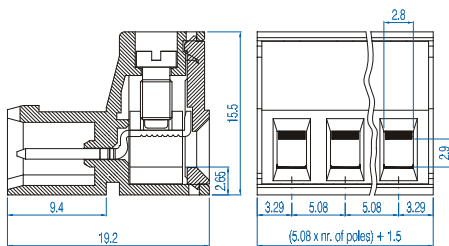
**INSTALLATION DATA**

<b>Screw Size</b>	M3	<b>PCB Hole Size</b>	–
<b>Torque</b>	0.5Nm (4.5 lbf-in.)	<b>Stripping Lgth.</b>	7.5mm

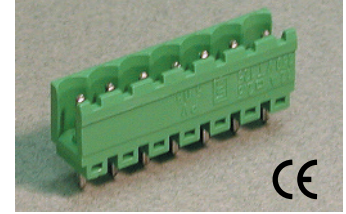
**MATERIAL**

<b>Body</b>	Polyamide	<b>Screw</b>	Galvanized Steel
<b>Flammability Class</b>	UL94V-0	<b>Terminal</b>	Nickeled Brass
<b>Temperature Limit</b>	105°C UL 125°C IEC	<b>Clamp</b>	Nickeled Brass
<b>Color</b>	Green		

No. Poles	Cat. #	Length (B) (mm)	Std. Pk.
2	SF02-5.08	11.7	100
3	SF03-5.08	16.7	100
4	SF04-5.08	21.8	50
5	SF05-5.08	27.0	50
6	SF06-5.08	32.0	50
7	SF07-5.08	37.1	50
8	SF08-5.08	42.1	50
9	SF09-5.08	47.2	50
10	SF10-5.08	52.3	50
11	SF11-5.08	57.4	50
12	SF12-5.08	62.5	50
13	SF13-5.08	67.5	20
14	SF14-5.08	72.6	20
15	SF15-5.08	77.7	20
16	SF16-5.08	82.8	20
17	SF17-5.08	87.9	20
18	SF18-5.08	92.9	20
19	SF19-5.08	98.0	20
20	SF20-5.08	103.1	20
21	SF21-5.08	108.2	20
22	SF22-5.08	113.3	20
23	SF23-5.08	118.3	20
24	SF24-5.08	123.4	20



Pin Spacing: 5.08mm  
 Orientation: Vertical Header  
 Clamp Type: –  
 Design: Single Mold-Open End



**PVxx-5.08**

**ELECTRICAL**

	Current	Voltage	Wire Range
	12A	300V	–
	16A	450V	–

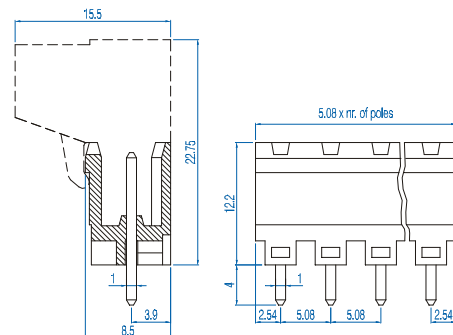
**INSTALLATION DATA**

<b>Screw Size</b>	–	<b>PCB Hole Size</b>	1.5mm
<b>Torque</b>	–	<b>Stripping Lgth.</b>	–

**MATERIAL**

<b>Body</b>	Polyamide	<b>Screw</b>	–
<b>Flammability Class</b>	UL94V-0	<b>Terminal</b>	Tin-Plated Brass
<b>Temperature Limit</b>	105°C UL 125°C IEC	<b>Clamp</b>	–
<b>Color</b>	Green		

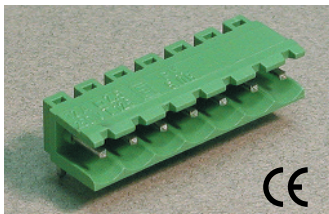
No. Poles	Cat. #	Length (mm)	Std. Pk.
2	PV02-5.08	10.2	100
3	PV03-5.08	15.2	100
4	PV04-5.08	20.3	50
5	PV05-5.08	25.4	50
6	PV06-5.08	30.5	50
7	PV07-5.08	35.6	50
8	PV08-5.08	40.6	50
9	PV09-5.08	45.7	50
10	PV10-5.08	50.8	50
11	PV11-5.08	55.9	50
12	PV12-5.08	61.0	50
13	PV13-5.08	66.0	20
14	PV14-5.08	71.1	20
15	PV15-5.08	76.2	20
16	PV16-5.08	81.3	20
17	PV17-5.08	86.4	20
18	PV18-5.08	91.4	20
19	PV19-5.08	96.5	20
20	PV20-5.08	101.6	20
21	PV21-5.08	106.7	20
22	PV22-5.08	111.8	20
23	PV23-5.08	116.6	20
24	PV24-5.08	121.9	20







# 5.08mm Pin Spacing – Pluggable PCB Blocks

Pin Spacing: 5.08mm  
 Orientation: Horizontal Header  
 Clamp Type: –  
 Design: Single Mold - Open End



**PHxx-5.08**

**ELECTRICAL**

	Current	Voltage	Wire Range
	12A	300V	–
	16A	450V	–

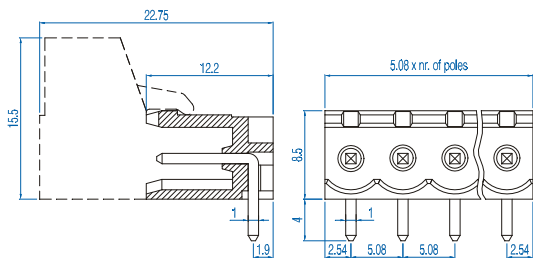
**INSTALLATION DATA**

Screw Size	–	PCB Hole Size	1.5mm
Torque	–	Stripping Lgth.	–

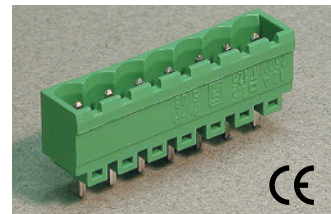
**MATERIAL**

Body	Polyamide	Screw	–
Flammability Class	UL94V-0	Terminal	Tin-Plated Brass
Temperature Limit	105°C UL 125°C IEC	Clamp	–
Color	Green		

No. Poles	Cat. #	Length (mm)	Std. Pk.
2	PH02-5.08	10.2	100
3	PH03-5.08	15.2	100
4	PH04-5.08	20.3	50
5	PH05-5.08	25.4	50
6	PH06-5.08	30.5	50
7	PH07-5.08	35.6	50
8	PH08-5.08	40.6	50
9	PH09-5.08	45.7	50
10	PH10-5.08	50.8	50
11	PH11-5.08	55.9	50
12	PH12-5.08	61.0	50
13	PH13-5.08	66.0	20
14	PH14-5.08	71.1	20
15	PH15-5.08	76.2	20
16	PH16-5.08	81.3	20
17	PH17-5.08	86.4	20
18	PH18-5.08	91.4	20
19	PH19-5.08	96.5	20
20	PH20-5.08	101.6	20
21	PH21-5.08	106.7	20
22	PH22-5.08	111.8	20
23	PH23-5.08	116.6	20
24	PH24-5.08	121.9	20





Pin Spacing: 5.08mm  
 Orientation: Vertical Header  
 Clamp Type: –  
 Design: Single Mold - Closed End



**PVPxx-5.08**

**ELECTRICAL**

	Current	Voltage	Wire Range
	12A	300V	–
	16A	450V	–

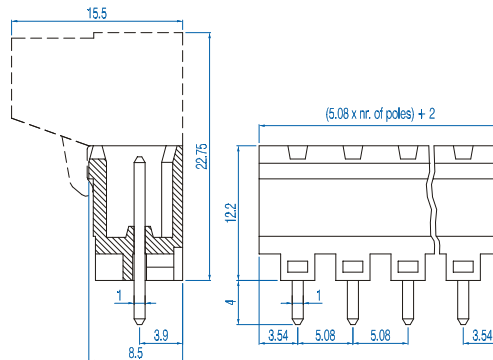
**INSTALLATION DATA**

Screw Size	–	PCB Hole Size	1.5mm
Torque	–	Stripping Lgth.	–

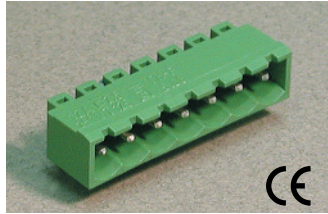
**MATERIAL**

Body	Polyamide	Screw	–
Flammability Class	UL94V-0	Terminal	Tin-Plated Brass
Temperature Limit	105°C UL 125°C IEC	Clamp	–
Color	Green		

No. Poles	Cat. #	Length (mm)	Std. Pk.
2	PVP02-5.08	12.2	100
3	PVP03-5.08	17.2	100
4	PVP04-5.08	22.3	50
5	PVP05-5.08	27.4	50
6	PVP06-5.08	32.5	50
7	PVP07-5.08	37.6	50
8	PVP08-5.08	42.6	50
9	PVP09-5.08	47.7	50
10	PVP10-5.08	52.8	50
11	PVP11-5.08	57.9	50
12	PVP12-5.08	63.0	50
13	PVP13-5.08	68.0	20
14	PVP14-5.08	73.1	20
15	PVP15-5.08	78.2	20
16	PVP16-5.08	83.3	20
17	PVP17-5.08	88.4	20
18	PVP18-5.08	93.4	20
19	PVP19-5.08	98.5	20
20	PVP20-5.08	103.6	20
21	PVP21-5.08	108.7	20
22	PVP22-5.08	113.8	20
23	PVP23-5.08	118.6	20
24	PVP24-5.08	123.9	20



Pin Spacing: 5.08mm  
 Orientation: Horizontal Header  
 Clamp Type: –  
 Design: Single Mold - Closed End



**PHPxx-5.08**

**ELECTRICAL**

	Current	Voltage	Wire Range
	12A	300V	–
	16A	450V	–

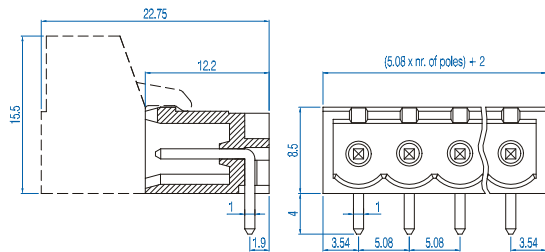
**INSTALLATION DATA**

Screw Size	–	PCB Hole Size	1.5mm
Torque	–	Stripping Lgth.	–

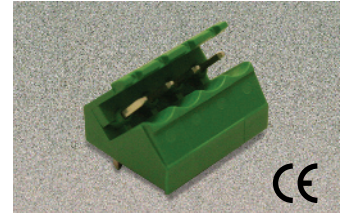
**MATERIAL**

Body	Polyamide	Screw	–
Flammability Class	UL94V-0	Terminal	Tin-Plated Brass
Temperature Limit	105°C UL 125°C IEC	Clamp	–
Color	Green		

No. Poles	Cat. #	Length (mm)	Std. Pk.
2	PHP02-5.08	12.2	100
3	PHP03-5.08	17.2	100
4	PHP04-5.08	22.3	50
5	PHP05-5.08	27.4	50
6	PHP06-5.08	32.5	50
7	PHP07-5.08	37.6	50
8	PHP08-5.08	42.6	50
9	PHP09-5.08	47.7	50
10	PHP10-5.08	52.8	50
11	PHP11-5.08	57.9	50
12	PHP12-5.08	63.0	50
13	PHP13-5.08	68.0	20
14	PHP14-5.08	73.1	20
15	PHP15-5.08	78.2	20
16	PHP16-5.08	83.3	20
17	PHP17-5.08	88.4	20
18	PHP18-5.08	93.4	20
19	PHP19-5.08	98.5	20
20	PHP20-5.08	103.6	20
21	PHP21-5.08	108.7	20
22	PHP22-5.08	113.8	20
23	PHP23-5.08	118.6	20
24	PHP24-5.08	123.9	20



Pin Spacing: 5.08mm  
 Orientation: 45° Angle Header  
 Design: Single Mold - Open End



**Plxx-5.08**

**ELECTRICAL**

	Current	Voltage	Wire Range
	12A	300V	–
	16A	450V	–

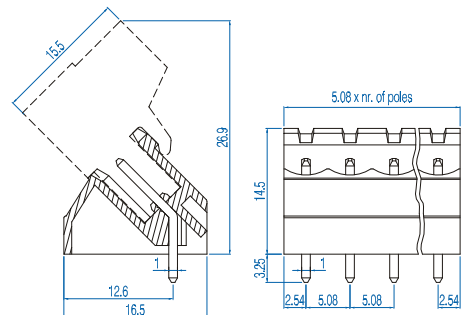
**INSTALLATION DATA**

Screw Size	–	PCB Hole Size	1.5mm
Torque	–	Stripping Lgth.	–

**MATERIAL**

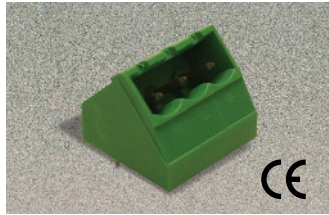
Body	Polyamide	Screw	–
Flammability Class	UL94V-0	Terminal	Tin-Plated Brass
Temperature Limit	105°C UL 125°C IEC	Clamp	–
Color	Green		

No. Poles	Cat. #	Length (mm)	Std. Pk.
2	PI02-5.08	10.2	100
3	PI03-5.08	15.2	100
4	PI04-5.08	20.3	50
5	PI05-5.08	25.4	50
6	PI06-5.08	30.5	50
7	PI07-5.08	35.6	50
8	PI08-5.08	40.6	50
9	PI09-5.08	45.7	50
10	PI10-5.08	50.8	50
11	PI11-5.08	55.9	50
12	PI12-5.08	61.0	50
13	PI13-5.08	66.0	20
14	PI14-5.08	71.1	20
15	PI15-5.08	76.2	20
16	PI16-5.08	81.3	20
17	PI17-5.08	86.4	20
18	PI18-5.08	91.4	20
19	PI19-5.08	96.5	20
20	PI20-5.08	101.6	20
21	PI21-5.08	106.7	20
22	PI22-5.08	111.8	20
23	PI23-5.08	116.8	20
24	PI24-5.08	121.9	20



# 5.08mm Pin Spacing – Pluggable PCB Blocks

Pin Spacing: 5.08mm  
 Orientation: 45° Angle Header  
 Clamp Type: –  
 Design: Single Mold - Closed End



**PIPxx-5.08**

**ELECTRICAL**

	Current	Voltage	Wire Range
	12A	300V	–
	16A	450V	–

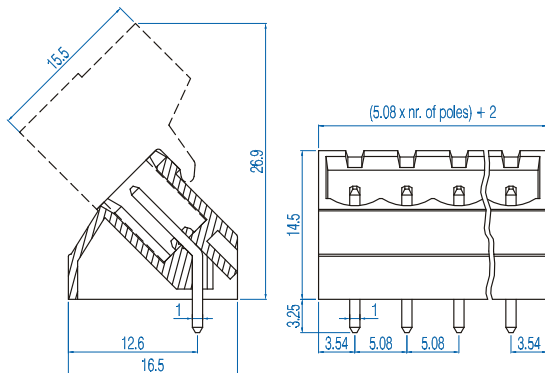
**INSTALLATION DATA**

Screw Size	–	PCB Hole Size	1.5mm
Torque	–	Stripping Lgth.	–

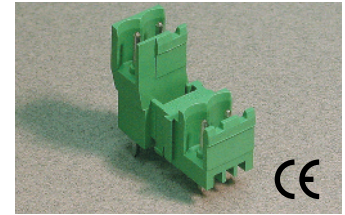
**MATERIAL**

Body	Polyamide	Screw	–
Flammability Class	UL94V-0	Terminal	Tin-Plated Brass
Temperature Limit	105°C UL 125°C IEC	Clamp	–
Color	Green		

No. Poles	Cat. #	Length (mm)	Std. Pk.
2	PIP02-5.08	12.2	100
3	PIP03-5.08	17.2	100
4	PIP04-5.08	22.3	50
5	PIP05-5.08	27.4	50
6	PIP06-5.08	32.5	50
7	PIP07-5.08	37.6	50
8	PIP08-5.08	42.6	50
9	PIP09-5.08	47.7	50
10	PIP10-5.08	52.8	50
11	PIP11-5.08	57.9	50
12	PIP12-5.08	63.0	50
13	PIP13-5.08	68.0	20
14	PIP14-5.08	73.1	20
15	PIP15-5.08	78.2	20
16	PIP16-5.08	83.3	20
17	PIP17-5.08	88.4	20
18	PIP18-5.08	93.4	20
19	PIP19-5.08	98.5	20
20	PIP20-5.08	103.6	20
21	PIP21-5.08	108.7	20
22	PIP22-5.08	113.8	20
23	PIP23-5.08	118.6	20
24	PIP24-5.08	123.9	20



Pin Spacing: 5.08mm  
 Orientation: Vertical -  
 Double Level Header  
 Clamp Type: –  
 Design: Modular - Open End



**PDSVxx-5.08**

**ELECTRICAL**

	Current	Voltage	Wire Range
	12A	300V	–
	16A	450V	–

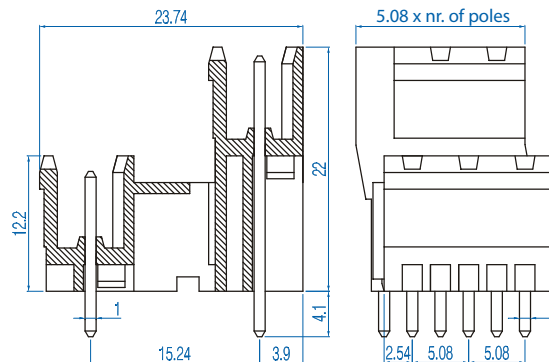
**INSTALLATION DATA**

Screw Size	–	PCB Hole Size	1.5mm
Torque	–	Stripping Lgth.	–

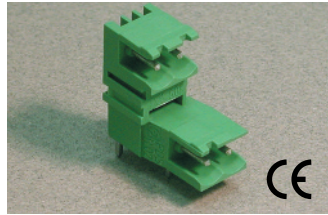
**MATERIAL**

Body	Polyamide	Screw	–
Flammability Class	UL94V-0	Terminal	Tin-Plated Brass
Temperature Limit	105°C UL 125°C IEC	Clamp	–
Color	Green		

No. Poles	Cat. #	Length (mm)	Std. Pk.
4	PDSV02-5.08	12.7	100
6	PDSV03-5.08	17.8	100
8	PDSV04-5.08	22.9	50
10	PDSV05-5.08	28.0	50
12	PDSV06-5.08	33.0	50
14	PDSV07-5.08	38.0	50
16	PDSV08-5.08	43.2	50
18	PDSV09-5.08	48.3	50
20	PDSV10-5.08	53.3	50
22	PDSV11-5.08	58.4	20
24	PDSV12-5.08	63.5	20
26	PDSV13-5.08	68.6	20
28	PDSV14-5.08	73.7	20
30	PDSV15-5.08	78.7	20
32	PDSV16-5.08	83.8	20
34	PDSV17-5.08	89.9	20
36	PDSV18-5.08	94.0	20
38	PDSV19-5.08	99.1	20
40	PDSV20-5.08	104.1	10
42	PDSV21-5.08	109.2	10
44	PDSV22-5.08	114.3	10
46	PDSV23-5.08	119.4	10
48	PDSV24-5.08	124.5	10



Pin Spacing: 5.08mm  
 Orientation: Horizontal - Double Level Header  
 Clamp Type: –  
 Design: Modular - Open End



**PDSHxx-5.08**

**ELECTRICAL**

	Current	Voltage	Wire Range
	12A	300V	–
	16A	450V	–

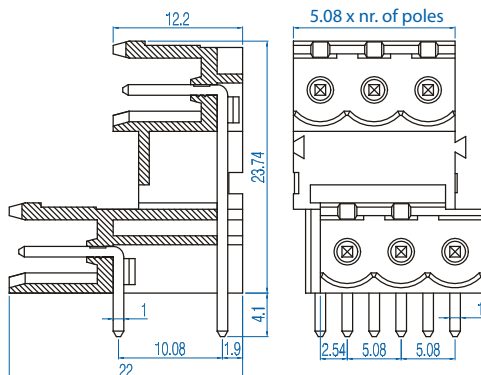
**INSTALLATION DATA**

Screw Size	–	PCB Hole Size	1.5mm
Torque	–	Stripping Lgth.	–

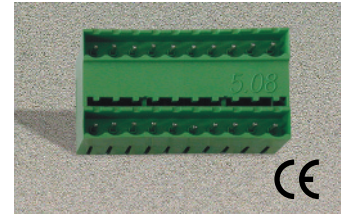
**MATERIAL**

Body	Polyamide	Screw	–
Flammability Class	UL94V-0	Terminal	Tin-Plated Brass
Temperature Limit	105°C UL 125°C IEC	Clamp	–
Color	Green		

No. Poles	Cat. #	Length (mm)	Std. Pk.
4	PDSH02-5.08	12.7	100
6	PDSH03-5.08	17.8	100
8	PDSH04-5.08	22.9	50
10	PDSH05-5.08	28.0	50
12	PDSH06-5.08	33.0	50
14	PDSH07-5.08	38.0	50
16	PDSH08-5.08	43.2	50
18	PDSH09-5.08	48.3	50
20	PDSH10-5.08	53.3	50
22	PDSH11-5.08	58.4	20
24	PDSH12-5.08	63.5	20
26	PDSH13-5.08	68.6	20
28	PDSH14-5.08	73.7	20
30	PDSH15-5.08	78.7	20
32	PDSH16-5.08	83.8	20
34	PDSH17-5.08	89.9	20
36	PDSH18-5.08	94.0	20
38	PDSH19-5.08	99.1	20
40	PDSH20-5.08	104.1	10
42	PDSH21-5.08	109.2	10
44	PDSH22-5.08	114.3	10
46	PDSH23-5.08	119.4	10
48	PDSH24-5.08	124.5	10



Pin Spacing: 5.08mm  
 Orientation: Dual Row Vertical Header  
 Clamp Type: –  
 Design: Single Mold



**PDVxx-5.08**

**ELECTRICAL**

	Current	Voltage	Wire Range
	12A	300V	–
	16A	450V	–

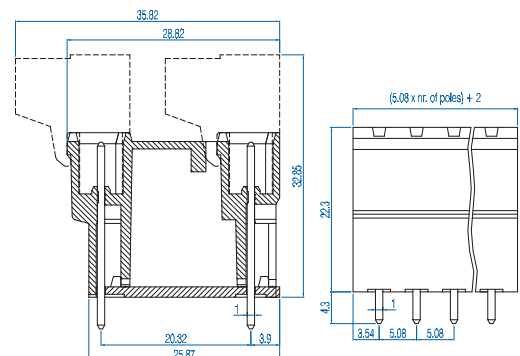
**INSTALLATION DATA**

Screw Size	–	PCB Hole Size	1.5mm
Torque	–	Stripping Lgth.	–

**MATERIAL**

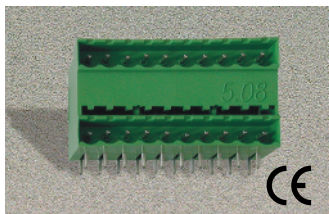
Body	Polyamide	Screw	–
Flammability Class	UL94V-0	Terminal	Tin-Plated Brass
Temperature Limit	105°C UL 125°C IEC	Clamp	–
Color	Green		

No. Poles	Cat. #	Length (mm)	Std. Pk.
2	PDV02-5.08	12.2	100
3	PDV03-5.08	17.2	100
4	PDV04-5.08	22.3	50
5	PDV05-5.08	27.4	50
6	PDV06-5.08	32.5	50
7	PDV07-5.08	37.6	50
8	PDV08-5.08	42.6	50
9	PDV09-5.08	47.7	50
10	PDV10-5.08	52.8	50
11	PDV11-5.08	57.9	50
12	PDV12-5.08	63.0	50



# 5.08mm Pin Spacing – Pluggable PCB Blocks

Pin Spacing: 5.08mm  
 Orientation: Dual Row  
 Horizontal Header  
 Clamp Type: –  
 Design: Single Mold



**PDHxx-5.08**

**ELECTRICAL**

	Current	Voltage	Wire Range
	12A	300V	–
	16A	450V	–

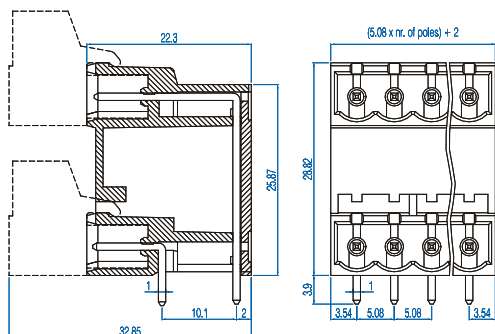
**INSTALLATION DATA**

Screw Size	–	PCB Hole Size	1.5mm
Torque	–	Stripping Lgth.	–

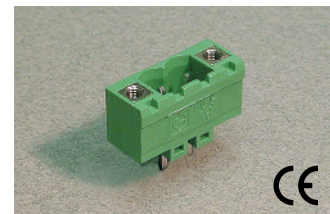
**MATERIAL**

Body	Polyamide	Screw	–
Flammability Class	UL94V-0	Terminal	Tin-Plated Brass
Temperature Limit	105°C UL 125°C IEC	Clamp	–
Color	Green		

No. Poles	Cat. #	Length (mm)	Std. Pk.
2	PDH02-5.08	12.2	100
3	PDH03-5.08	17.2	100
4	PDH04-5.08	22.3	50
5	PDH05-5.08	27.4	50
6	PDH06-5.08	32.5	50
7	PDH07-5.08	37.6	50
8	PDH08-5.08	42.6	50
9	PDH09-5.08	47.7	50
10	PDH10-5.08	52.8	50
11	PDH11-5.08	57.9	50
12	PDH12-5.08	63.0	50



Pin Spacing: 5.08mm  
 Orientation: Vertical Header with  
 Screw Flange  
 Clamp Type: –  
 Design: Single Mold



**PVxx-5.08-K**

**ELECTRICAL**

	Current	Voltage	Wire Range
	12A	300V	–
	16A	450V	–

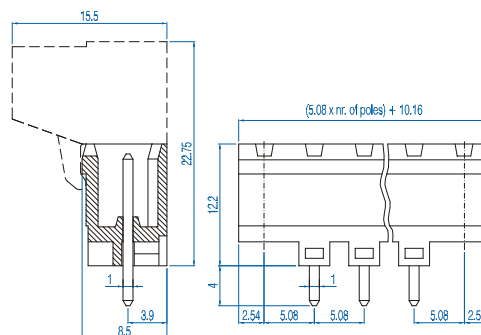
**INSTALLATION DATA**

Screw Size	–	PCB Hole Size	1.5mm
Torque	–	Stripping Lgth.	–

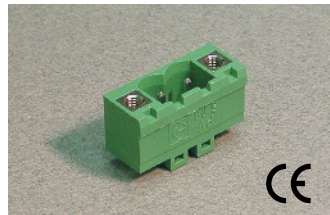
**MATERIAL**

Body	Polyamide	Screw	–
Flammability Class	UL94V-0	Terminal	Tin-Plated Brass
Temperature Limit	105°C UL 125°C IEC	Clamp	Nickeled Brass
Color	Green		

No. Poles	Cat. #	Length (mm)	Std. Pk.
2	PV02-5.08 - K	20.3	100
3	PV03-5.08 - K	25.4	100
4	PV04-5.08 - K	30.5	50
5	PV05-5.08 - K	35.6	50
6	PV06-5.08 - K	40.6	50
7	PV07-5.08 - K	45.7	50
8	PV08-5.08 - K	50.8	50
9	PV09-5.08 - K	55.9	50
10	PV10-5.08 - K	61.0	50
11	PV11-5.08 - K	66.0	50
12	PV12-5.08 - K	71.1	50
13	PV13-5.08 - K	76.2	20
14	PV14-5.08 - K	81.3	20
15	PV15-5.08 - K	86.4	20
16	PV16-5.08 - K	91.4	20
17	PV17-5.08 - K	96.5	20
18	PV18-5.08 - K	101.6	20
19	PV19-5.08 - K	106.7	20
20	PV20-5.08 - K	111.8	20
21	PV21-5.08 - K	116.6	20
22	PV22-5.08 - K	121.9	20



Pin Spacing: 5.08mm  
 Orientation: Horizontal Header with Screw Flange  
 Clamp Type: –  
 Design: Single Mold



**PHxx-5.08-K**

**ELECTRICAL**

	Current	Voltage	Wire Range
	12A	300V	–
	16A	450V	–

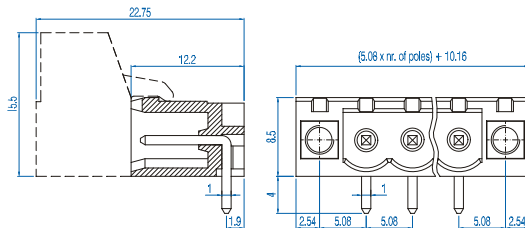
**INSTALLATION DATA**

Screw Size	–	PCB Hole Size	1.5mm
Torque	–	Stripping Lgth.	–

**MATERIAL**

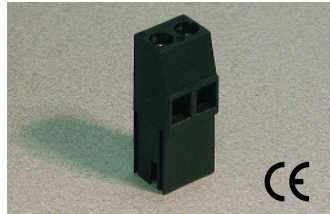
Body	Polyamide	Screw	–
Flammability Class	UL94V-0	Terminal	Tin-Plated Brass
Temperature Limit	105°C UL 125°C IEC	Clamp	Nickeled Brass
Color	Green		

No. Poles	Cat. #	Length (mm)	Std. Pk.
2	PH02-5.08 - K	20.3	100
3	PH03-5.08 - K	25.4	100
4	PH04-5.08 - K	30.5	50
5	PH05-5.08 - K	35.6	50
6	PH06-5.08 - K	40.6	50
7	PH07-5.08 - K	45.7	50
8	PH08-5.08 - K	50.8	50
9	PH09-5.08 - K	55.9	50
10	PH10-5.08 - K	61.0	50
11	PH11-5.08 - K	66.0	50
12	PH12-5.08 - K	71.1	50
13	PH13-5.08 - K	76.2	20
14	PH14-5.08 - K	81.3	20
15	PH15-5.08 - K	86.4	20
16	PH16-5.08 - K	91.4	20
17	PH17-5.08 - K	96.5	20
18	PH18-5.08 - K	101.6	20
19	PH19-5.08 - K	106.7	20
20	PH20-5.08 - K	111.8	20
21	PH21-5.08 - K	116.6	20
22	PH22-5.08 - K	121.9	20





## 6.35mm Pin Spacing – Pluggable PCB Blocks

Pin Spacing: 6.35mm  
 Orientation: Vertical Plug  
 Clamp Type: Screw Cage  
 Design: Modular -  
 Card Edge



### MVIxx

#### ELECTRICAL

	Current	Voltage	Wire Range
	20A <sup>①</sup>	300V	30-12AWG
	10A	500V	4.0mm <sup>2</sup> Stranded 6.0mm <sup>2</sup> Solid

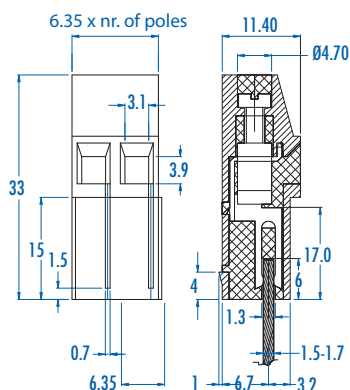
#### INSTALLATION DATA

<b>Screw Size</b>	M3	<b>PCB Thickness</b>	1.5-1.7mm
<b>Torque</b>	0.5Nm (4.5 lbf-in.)	<b>Stripping Lgth.</b>	9.8mm

#### MATERIAL

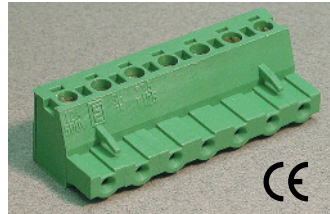
<b>Body</b>	Polyamide	<b>Screw</b>	Galvanized Steel
<b>Flammability Class</b>	UL94V-0	<b>Terminal</b>	Nickeled Brass
<b>Temperature Limit</b>	105°C UL 125°C IEC	<b>Clamp</b>	Nickeled Brass
<b>Color</b>	Black		

No. Poles	Cat. #	Length (mm)	Std. Pk.
2	MVI-2	12.7	100
3	MVI-3	19.0	100
4	MVI-4	25.4	50
5	MVI-5	31.8	50
6	MVI-6	38.1	50
7	MVI-7	44.5	50
8	MVI-8	50.8	50
9	MVI-9	57.2	50
10	MVI-10	63.5	50
11	MVI-11	69.9	50
12	MVI-12	76.2	50
13	MVI-13	82.6	20
14	MVI-14	88.9	20
15	MVI-15	95.3	20
16	MVI-16	101.6	20



<sup>①</sup> 25A Factory Wiring - UL

Pin Spacing: 7.50mm  
 Orientation: Horizontal Plug  
 Clamp Type: Screw Cage  
 Design: Single Mold



**SHxx-7.50**

**ELECTRICAL**

	Current	Voltage	Wire Range
	12A	300V	30-14AWG
	16A	750V	2.5mm <sup>2</sup> Stranded 4.0mm <sup>2</sup> Solid

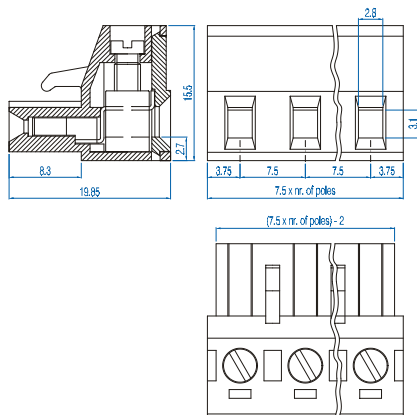
**INSTALLATION DATA**

<b>Screw Size</b>	M3	<b>PCB Hole Size</b>	–
<b>Torque</b>	0.5Nm (4.5 lbf-in.)	<b>Stripping Lgth.</b>	7.6mm

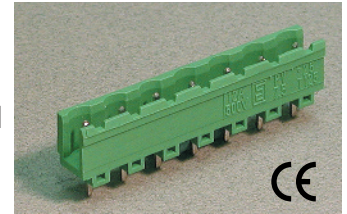
**MATERIAL**

<b>Body</b>	Polyamide	<b>Screw</b>	Galvanized Steel
<b>Flammability Class</b>	UL94V-0	<b>Terminal</b>	Nickeled Brass
<b>Temperature Limit</b>	105°C UL 125°C IEC	<b>Clamp</b>	Nickeled Brass
<b>Color</b>	Green		

No. Poles	Cat. #	Length (mm)	Std. Pk.
2	SH02-7.50	15.0	100
3	SH03-7.50	22.5	100
4	SH04-7.50	30.0	50
5	SH05-7.50	37.5	50
6	SH06-7.50	45.0	50
7	SH07-7.50	52.5	50
8	SH08-7.50	60.0	50
9	SH09-7.50	67.5	50
10	SH10-7.50	75.0	50
11	SH11-7.50	82.5	20
12	SH12-7.50	90.0	20
13	SH13-7.50	97.5	20
14	SH14-7.50	105.0	20
15	SH15-7.50	112.5	20
16	SH16-7.50	120.0	20



Pin Spacing: 7.50mm  
 Orientation: Vertical Header  
 Clamp Type: –  
 Design: Single Mold - Open End



**PVxx-7.50**

**ELECTRICAL**

	Current	Voltage	Wire Range
	12A	300V	–
	16A	750V	–

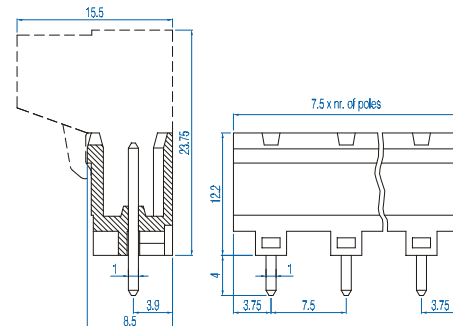
**INSTALLATION DATA**

<b>Screw Size</b>	–	<b>PCB Hole Size</b>	1.5mm
<b>Torque</b>	–	<b>Stripping Lgth.</b>	–

**MATERIAL**

<b>Body</b>	Polyamide	<b>Screw</b>	–
<b>Flammability Class</b>	UL94V-0	<b>Terminal</b>	Tin-Plated Brass
<b>Temperature Limit</b>	105°C UL 125°C IEC	<b>Clamp</b>	–
<b>Color</b>	Green		

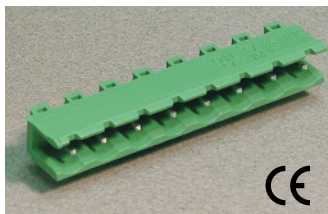
No. Poles	Cat. #	Length (mm)	Std. Pk.
2	PV02-7.50	15.0	100
3	PV03-7.50	22.5	100
4	PV04-7.50	30.0	50
5	PV05-7.50	37.5	50
6	PV06-7.50	45.0	50
7	PV07-7.50	52.5	50
8	PV08-7.50	60.0	50
9	PV09-7.50	67.5	50
10	PV10-7.50	75.0	50
11	PV11-7.50	82.5	20
12	PV12-7.50	90.0	20
13	PV13-7.50	97.5	20
14	PV14-7.50	105.0	20
15	PV15-7.50	112.5	20
16	PV16-7.50	120.0	20





# 7.50mm Pin Spacing – Pluggable PCB Blocks

Pin Spacing: 7.50mm  
 Orientation: Horizontal Header  
 Clamp Type: –  
 Design: Single Mold - Open End



**PHxx-7.50**

**ELECTRICAL**

	Current	Voltage	Wire Range
	12A	300V	–
	16A	750V	–

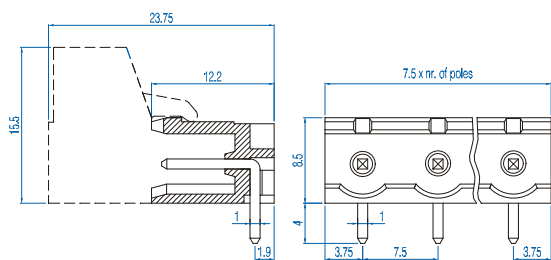
**INSTALLATION DATA**

Screw Size	–	PCB Hole Size	1.5mm
Torque	–	Stripping Lgth.	–

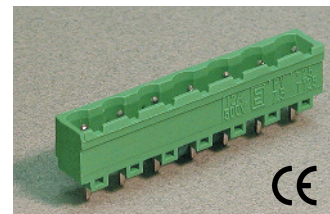
**MATERIAL**

Body	Polyamide	Screw	–
Flammability Class	UL94V-0	Terminal	Tin-Plated Brass
Temperature Limit	105°C UL 125°C IEC	Clamp	–
Color	Green		

No. Poles	Cat. #	Length (mm)	Std. Pk.
2	PH02-7.50	15.0	100
3	PH03-7.50	22.5	100
4	PH04-7.50	30.0	50
5	PH05-7.50	37.5	50
6	PH06-7.50	45.0	50
7	PH07-7.50	52.5	50
8	PH08-7.50	60.0	50
9	PH09-7.50	67.5	50
10	PH10-7.50	75.0	50
11	PH11-7.50	82.5	20
12	PH12-7.50	90.0	20
13	PH13-7.50	97.5	20
14	PH14-7.50	105.0	20
15	PH15-7.50	112.5	20
16	PH16-7.50	120.0	20



Pin Spacing: 7.50mm  
 Orientation: Vertical Header  
 Clamp Type: –  
 Design: Single Mold - Closed End



**PVPxx-7.50**

**ELECTRICAL**

	Current	Voltage	Wire Range
	12A	300V	–
	16A	750V	–

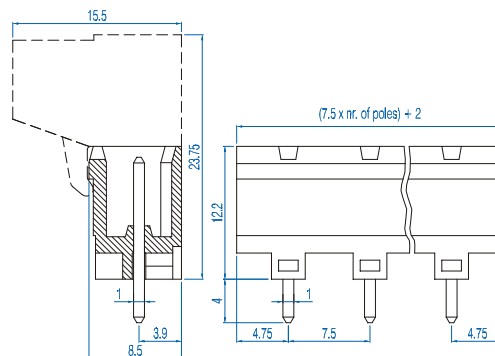
**INSTALLATION DATA**

Screw Size	–	PCB Hole Size	1.5mm
Torque	–	Stripping Lgth.	–

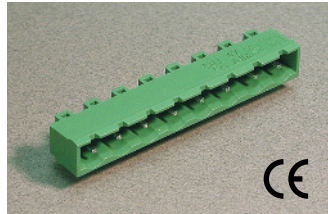
**MATERIAL**

Body	Polyamide	Screw	–
Flammability Class	UL94V-0	Terminal	Tin-Plated Brass
Temperature Limit	105°C UL 125°C IEC	Clamp	–
Color	Green		

No. Poles	Cat. #	Length (mm)	Std. Pk.
2	PVP02-7.50	17.0	100
3	PVP03-7.50	24.5	100
4	PVP04-7.50	32.0	50
5	PVP05-7.50	39.5	50
6	PVP06-7.50	47.0	50
7	PVP07-7.50	54.5	50
8	PVP08-7.50	62.0	50
9	PVP09-7.50	69.5	50
10	PVP10-7.50	77.0	50
11	PVP11-7.50	84.5	20
12	PVP12-7.50	92.0	20
13	PVP13-7.50	99.5	20
14	PVP14-7.50	107.0	20
15	PVP15-7.50	114.5	20
16	PVP16-7.50	122.0	20





Pin Spacing: 7.50mm  
 Orientation: Horizontal Header  
 Clamp Type: –  
 Design: Single Mold - Closed End



**PHPxx-7.50**

**ELECTRICAL**

	Current	Voltage	Wire Range
	12A	300V	–
	16A	750V	–

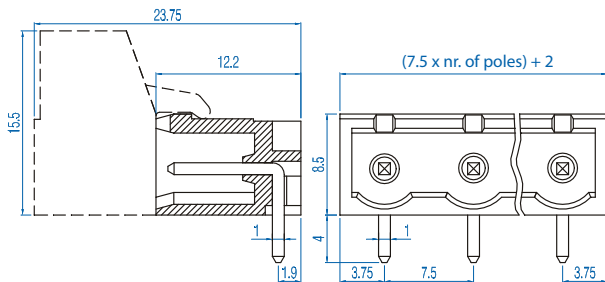
**INSTALLATION DATA**

<b>Screw Size</b>	–	<b>PCB Hole Size</b>	1.5mm
<b>Torque</b>	–	<b>Stripping Lgth.</b>	–

**MATERIAL**

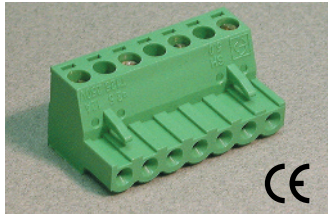
<b>Body</b>	Polyamide	<b>Screw</b>	–
<b>Flammability Class</b>	UL94V-0	<b>Terminal</b>	Tin-Plated Brass
<b>Temperature Limit</b>	105°C UL 125°C IEC	<b>Clamp</b>	–
<b>Color</b>	Green		

No. Poles	Cat. #	Length (mm)	Std. Pk.
2	PHP02-7.50	17.0	100
3	PHP03-7.50	24.5	100
4	PHP04-7.50	32.0	50
5	PHP05-7.50	39.5	50
6	PHP06-7.50	47.0	50
7	PHP07-7.50	54.5	50
8	PHP08-7.50	62.0	50
9	PHP09-7.50	69.5	50
10	PHP10-7.50	77.0	50
11	PHP11-7.50	84.5	20
12	PHP12-7.50	92.0	20
13	PHP13-7.50	99.5	20
14	PHP14-7.50	107.0	20
15	PHP15-7.50	114.5	20
16	PHP16-7.50	122.0	20



# 10.00mm Pin Spacing – Pluggable PCB Blocks

Pin Spacing: 10.00mm  
 Orientation: Horizontal Plug  
 Clamp Type: Screw Cage  
 Design: Single Mold



**SHxx-10.00**

**ELECTRICAL**

	Current	Voltage	Wire Range
	12A	300V	30-14AWG
	16A	750V	2.5mm <sup>2</sup> Stranded 4.0mm <sup>2</sup> Solid

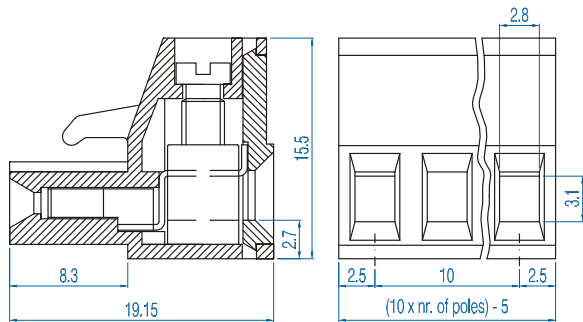
**INSTALLATION DATA**

<b>Screw Size</b>	M3	<b>PCB Hole Size</b>	–
<b>Torque</b>	0.5Nm (4.5 lbf-in.)	<b>Stripping Lgth.</b>	7.5mm

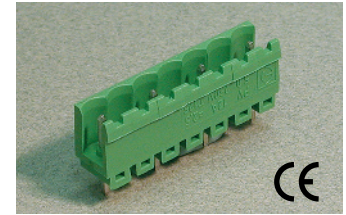
**MATERIAL**

<b>Body</b>	Polyamide	<b>Screw</b>	Galvanized Steel
<b>Flammability Class</b>	UL94V-0	<b>Terminal</b>	Nickeled Brass
<b>Temperature Limit</b>	105°C UL 125°C IEC	<b>Clamp</b>	Nickeled Brass
<b>Color</b>	Green		

No. Poles	Cat. #	Length (mm)	Std. Pk.
2	SH02-10.00	15.0	100
3	SH03-10.00	25.0	100
4	SH04-10.00	35.0	50
5	SH05-10.00	45.0	50
6	SH06-10.00	55.0	50
7	SH07-10.00	65.0	50
8	SH08-10.00	75.0	50
9	SH09-10.00	85.0	50
10	SH10-10.00	95.0	50
11	SH11-10.00	105.0	20
12	SH12-10.00	115.0	20



Pin Spacing: 10.00mm  
 Orientation: Vertical Header  
 Clamp Type: –  
 Design: Single Mold - Open End



**PVxx-10.00**

**ELECTRICAL**

	Current	Voltage	Wire Range
	12A	300V	–
	16A	750V	–

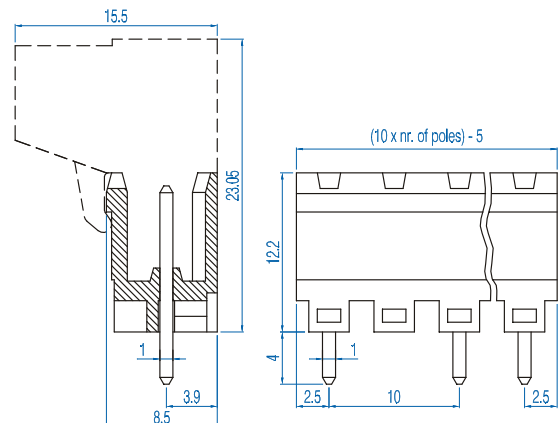
**INSTALLATION DATA**

<b>Screw Size</b>	–	<b>PCB Hole Size</b>	1.5mm
<b>Torque</b>	–	<b>Stripping Lgth.</b>	–

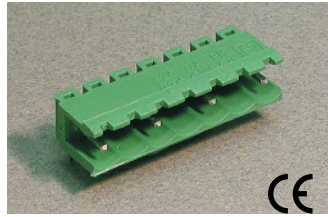
**MATERIAL**

<b>Body</b>	Polyamide	<b>Screw</b>	–
<b>Flammability Class</b>	UL94V-0	<b>Terminal</b>	Tin-Plated Brass
<b>Temperature Limit</b>	105°C UL 125°C IEC	<b>Clamp</b>	–
<b>Color</b>	Green		

No. Poles	Cat. #	Length (mm)	Std. Pk.
2	PV02-10.00	15.0	100
3	PV03-10.00	25.0	100
4	PV04-10.00	35.0	50
5	PV05-10.00	45.0	50
6	PV06-10.00	55.0	50
7	PV07-10.00	65.0	50
8	PV08-10.00	75.0	50
9	PV09-10.00	85.0	50
10	PV10-10.00	95.0	50
11	PV11-10.00	105.0	20
12	PV12-10.00	115.0	20



Pin Spacing: 10.00mm  
 Orientation: Horizontal Header  
 Clamp Type: –  
 Design: Single Mold - Open End



**PHxx-10.00**

**ELECTRICAL**

	Current	Voltage	Wire Range
	12A	300V	–
	16A	750V	–

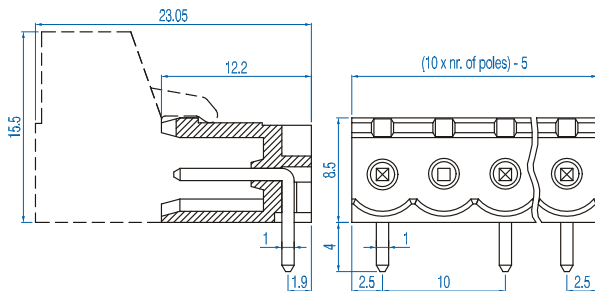
**INSTALLATION DATA**

Screw Size	–	PCB Hole Size	1.5mm
Torque	–	Stripping Lgth.	–

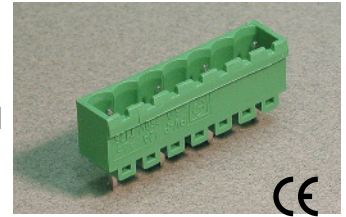
**MATERIAL**

Body	Polyamide	Screw	–
Flammability Class	UL94V-0	Terminal	Tin-Plated Brass
Temperature Limit	105°C UL 125°C IEC	Clamp	–
Color	Green		

No. Poles	Cat. #	Length (mm)	Std. Pk.
2	PH02-10.00	15.0	100
3	PH03-10.00	25.0	100
4	PH04-10.00	35.0	50
5	PH05-10.00	45.0	50
6	PH06-10.00	55.0	50
5	PH05-10.00	65.0	50
8	PH08-10.00	75.0	50
9	PH09-10.00	85.0	50
10	PH10-10.00	95.0	50
11	PH11-10.00	105.0	20
12	PH12-10.00	115.0	20



Pin Spacing: 10.00mm  
 Orientation: Vertical Header  
 Clamp Type: –  
 Design: Single Mold - Closed End



**PVPxx-10.00**

**ELECTRICAL**

	Current	Voltage	Wire Range
	12A	300V	–
	16A	750V	–

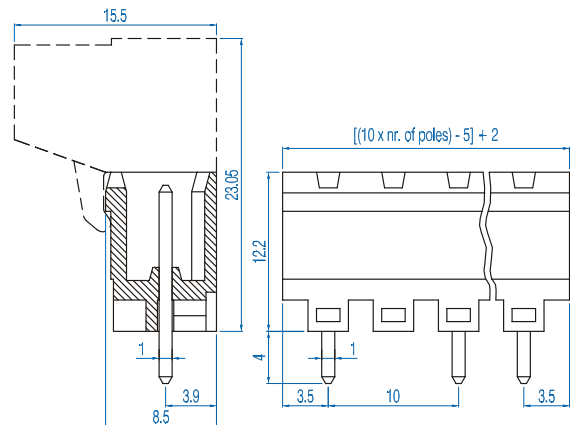
**INSTALLATION DATA**

Screw Size	–	PCB Hole Size	1.5mm
Torque	–	Stripping Lgth.	–

**MATERIAL**

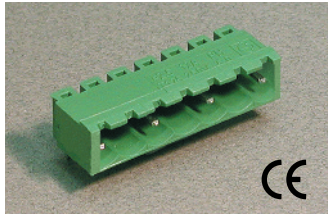
Body	Polyamide	Screw	–
Flammability Class	UL94V-0	Terminal	Tin-Plated Brass
Temperature Limit	105°C UL 125°C IEC	Clamp	–
Color	Green		

No. Poles	Cat. #	Length (mm)	Std. Pk.
2	PVP02-10.00	17.0	100
3	PVP03-10.00	27.0	100
4	PVP04-10.00	37.0	50
7	PVP07-10.00	47.0	50
6	PVP06-10.00	57.0	50
7	PVP07-10.00	67.0	50
8	PVP08-10.00	77.0	50
9	PVP09-10.00	87.0	50
10	PVP10-10.00	97.0	50
11	PVP11-10.00	107.0	20
12	PVP12-10.00	117.0	20





# 10.00mm Pin Spacing – Pluggable PCB Blocks

Pin Spacing: 10.00mm  
 Orientation: Horizontal Header  
 Clamp Type: –  
 Design: Single Mold - Closed End



## PHPxx-10.00

### ELECTRICAL

	Current	Voltage	Wire Range
 C 178356	12A	300V	–
	16A	750V	–

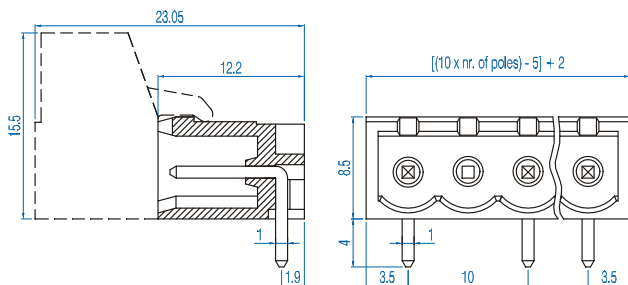
### INSTALLATION DATA

Screw Size	–	PCB Hole Size	1.5mm
Torque	–	Stripping Lgth.	–

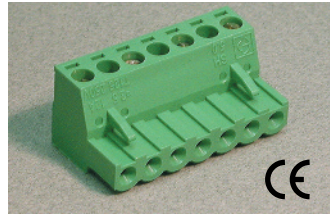
### MATERIAL

Body	Polyamide	Screw	–
Flammability Class	UL94V-0	Terminal	Tin-Plated Brass
Temperature Limit	105°C UL 125°C IEC	Clamp	–
Color	Green		

No. Poles	Cat. #	Length (mm)	Std. Pk.
2	PHP02-10.00	17.0	100
3	PHP03-10.00	27.0	100
4	PHP04-10.00	37.0	50
7	PHP07-10.00	47.0	50
6	PHP06-10.00	57.0	50
7	PHP07-10.00	67.0	50
8	PHP08-10.00	77.0	50
9	PHP09-10.00	87.0	50
10	PHP10-10.00	97.0	50
11	PHP11-10.00	107.0	20
12	PHP12-10.00	117.0	20



Pin Spacing: 10.16mm  
 Orientation: Horizontal Plug  
 Clamp Type: Screw Cage  
 Design: Single Mold



**SHxx-10.16**

**ELECTRICAL**

	Current	Voltage	Wire Range
	12A	300V	30-14AWG
	16A	750V	2.5mm <sup>2</sup> Stranded 4.0mm <sup>2</sup> Solid

**INSTALLATION DATA**

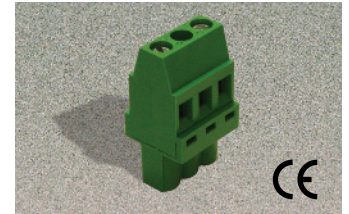
<b>Screw Size</b>	M3	<b>PCB Hole Size</b>	–
<b>Torque</b>	0.5Nm (4.5 lbf-in.)	<b>Stripping Lgth.</b>	7.5mm

**MATERIAL**

<b>Body</b>	Polyamide	<b>Screw</b>	Galvanized Steel
<b>Flammability Class</b>	UL94V-0	<b>Terminal</b>	Nickel Brass
<b>Temperature Limit</b>	105°C UL 125°C IEC	<b>Clamp</b>	Nickel Brass
<b>Color</b>	Green		

No. Poles	Cat. #	Length (mm)	Std. Pk.
2	SH02-10.16	15.2	100
3	SH03-10.16	25.4	100
4	SH04-10.16	35.6	50
5	SH05-10.16	45.7	50
6	SH06-10.16	55.9	50
7	SH07-10.16	66.0	50
8	SH08-10.16	76.2	50
9	SH09-10.16	86.4	50
10	SH10-10.16	96.5	50
11	SH11-10.16	106.7	20
12	SH12-10.16	116.8	20

Pin Spacing: 10.16mm  
 Orientation: Vertical Plug  
 Clamp Type: Screw Cage  
 Design: Single Mold



**SVPxx-10.16**

**ELECTRICAL**

	Current	Voltage	Wire Range
	12A	600V	30-14AWG
	16A	750V	2.5mm <sup>2</sup> Stranded 4.0mm <sup>2</sup> Solid

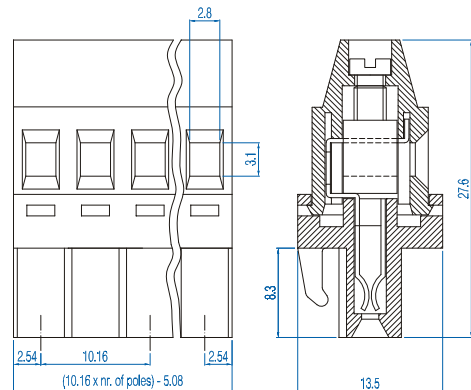
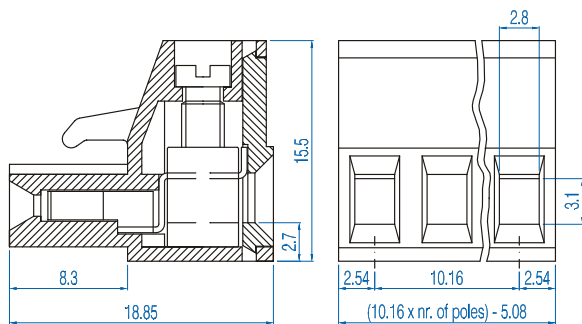
**INSTALLATION DATA**

<b>Screw Size</b>	M3	<b>PCB Hole Size</b>	–
<b>Torque</b>	0.5Nm (4.5 lbf-in.)	<b>Stripping Lgth.</b>	7.5mm

**MATERIAL**

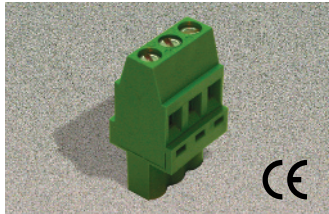
<b>Body</b>	Polyamide	<b>Screw</b>	Galvanized Steel
<b>Flammability Class</b>	UL94V-0	<b>Terminal</b>	Nickel Brass
<b>Temperature Limit</b>	105°C UL 125°C IEC	<b>Clamp</b>	Nickel Brass
<b>Color</b>	Green		

No. Poles	Cat. #	Length (mm)	Std. Pk.
2	SVP02-10.16	15.2	100
3	SVP03-10.16	25.4	100
4	SVP04-10.16	35.6	50
5	SVP05-10.16	45.7	50
6	SVP06-10.16	55.9	50
7	SVP07-10.16	66.0	50
8	SVP08-10.16	76.2	50
9	SVP09-10.16	86.4	50
10	SVP10-10.16	96.5	50
11	SVP11-10.16	106.7	20
12	SVP12-10.16	116.8	20



# 10.16mm Pin Spacing – Pluggable PCB Blocks

Pin Spacing: 10.16mm  
 Orientation: Vertical Plug  
 Clamp Type: Screw Cage  
 Design: Single Mold



**SVFxx-10.16**

**ELECTRICAL**

	Current	Voltage	Wire Range
	12A	600V	30-14AWG
	16A	750V	2.5mm <sup>2</sup> Stranded 4.0mm <sup>2</sup> Solid

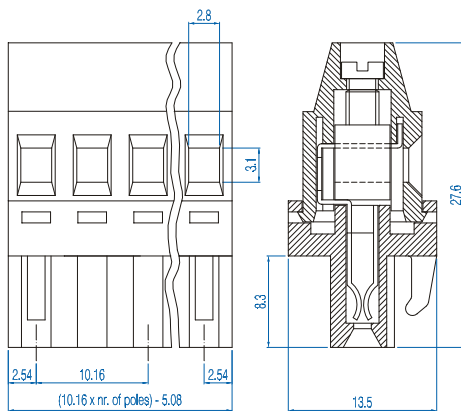
**INSTALLATION DATA**

<b>Screw Size</b>	M3	<b>PCB Hole Size</b>	–
<b>Torque</b>	0.5Nm (4.5 lbf-in.)	<b>Stripping Lgth.</b>	7.5mm

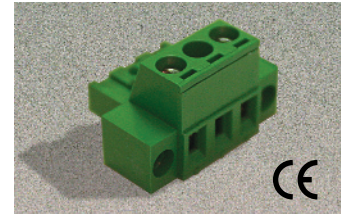
**MATERIAL**

<b>Body</b>	Polyamide	<b>Screw</b>	Galvanized Steel
<b>Flammability Class</b>	UL94V-0	<b>Terminal</b>	Nickeled Brass
<b>Temperature Limit</b>	105°C UL 125°C IEC	<b>Clamp</b>	Nickeled Brass
<b>Color</b>	Green		

No. Poles	Cat. #	Length (mm)	Std. Pk.
2	SVF02-10.16	15.2	100
3	SVF03-10.16	25.4	100
4	SVF04-10.16	35.6	50
5	SVF05-10.16	45.7	50
6	SVF06-10.16	55.9	50
7	SVF07-10.16	66.0	50
8	SVF08-10.16	76.2	50
9	SVF09-10.16	86.4	50
10	SVF10-10.16	96.5	50
11	SVF11-10.16	106.7	20
12	SVF12-10.16	116.8	20



Pin Spacing: 10.16mm  
 Orientation: Horizontal Plug with Screw Flange  
 Clamp Type: Screw Cage  
 Design: Single Mold



**SHxx-10.16-K**

**ELECTRICAL**

	Current	Voltage	Wire Range
	12A	600V	30-14AWG
	16A	750V	2.5mm <sup>2</sup> Stranded 4.0mm <sup>2</sup> Solid

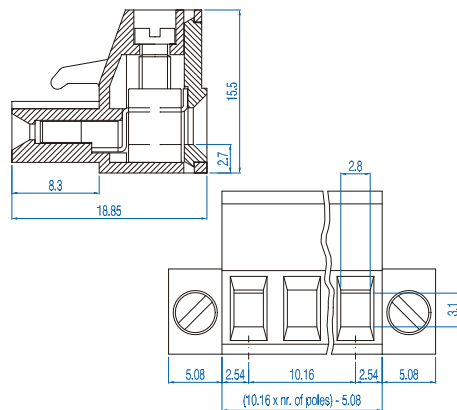
**INSTALLATION DATA**

<b>Screw Size</b>	M3	<b>PCB Hole Size</b>	–
<b>Torque</b>	0.5Nm (4.5 lbf-in.)	<b>Stripping Lgth.</b>	7.5mm

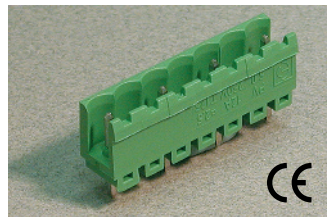
**MATERIAL**

<b>Body</b>	Polyamide	<b>Screw</b>	Galvanized Steel
<b>Flammability Class</b>	UL94V-0	<b>Terminal</b>	Nickeled Brass
<b>Temperature Limit</b>	105°C UL 125°C IEC	<b>Clamp</b>	Nickeled Brass
<b>Color</b>	Green		

No. Poles	Cat. #	Length (mm)	Std. Pk.
2	SH02-10.16-K	25.4	100
3	SH03-10.16-K	35.6	100
4	SH04-10.16-K	45.7	50
5	SH05-10.16-K	55.9	50
6	SH06-10.16-K	66.0	50
7	SH07-10.16-K	76.2	50
8	SH08-10.16-K	86.4	50
9	SH09-10.16-K	96.5	50
10	SH10-10.16-K	106.7	50
11	SH11-10.16-K	116.8	50





Pin Spacing: 10.16mm  
 Orientation: Vertical Header  
 Clamp Type: –  
 Design: Single Mold - Open End



**PVxx-10.16**

**ELECTRICAL**

	Current	Voltage	Wire Range
	12A	600V	–
	16A	750V	–

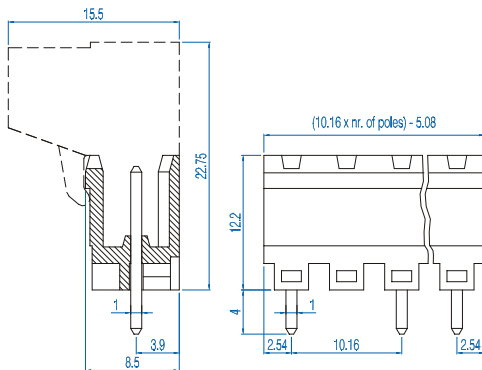
**INSTALLATION DATA**

Screw Size	–	PCB Hole Size	1.5mm
Torque	–	Stripping Lgth.	–

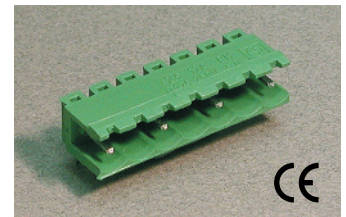
**MATERIAL**

Body	Polyamide	Screw	–
Flammability Class	UL94V-0	Terminal	Tin-Plated Brass
Temperature Limit	105°C UL 125°C IEC	Clamp	–
Color	Green		

No. Poles	Cat. #	Length (mm)	Std. Pk.
2	PV02-10.16	15.2	100
3	PV03-10.16	25.4	100
4	PV04-10.16	35.6	50
5	PV05-10.16	45.7	50
6	PV06-10.16	55.9	50
7	PV07-10.16	66.0	50
8	PV08-10.16	76.2	50
9	PV09-10.16	86.4	50
10	PV10-10.16	96.5	50
11	PV11-10.16	106.7	20
12	PV12-10.16	116.8	20





Pin Spacing: 10.16mm  
 Orientation: Horizontal Header  
 Clamp Type: –  
 Design: Single Mold - Open End



**PHxx-10.16**

**ELECTRICAL**

	Current	Voltage	Wire Range
	12A	600V	–
	16A	750V	–

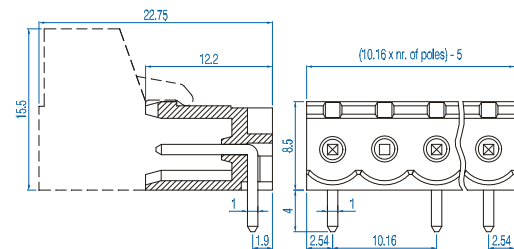
**INSTALLATION DATA**

Screw Size	–	PCB Hole Size	1.5mm
Torque	–	Stripping Lgth.	–

**MATERIAL**

Body	Polyamide	Screw	–
Flammability Class	UL94V-0	Terminal	Tin-Plated Brass
Temperature Limit	105°C UL 125°C IEC	Clamp	–
Color	Green		

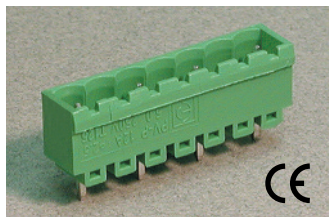
No. Poles	Cat #.	Length (mm)	Std Pk
2	PH02-10.16	15.2	100
3	PH03-10.16	25.4	100
4	PH04-10.16	35.6	50
5	PH05-10.16	45.7	50
6	PH06-10.16	55.9	50
7	PH07-10.16	66.0	50
8	PH08-10.16	76.2	50
9	PH09-10.16	86.4	50
10	PH10-10.16	96.5	50
11	PH11-10.16	106.7	20
12	PH12-10.16	116.8	20






# 10.16mm Pin Spacing – Pluggable PCB Blocks

Pin Spacing: 10.16mm  
 Orientation: Vertical Header  
 Clamp Type: –  
 Design: Single Mold - Closed End



**PVPxx-10.16**

**ELECTRICAL**

	Current	Voltage	Wire Range
	12A	600V	–
	16A	750V	–

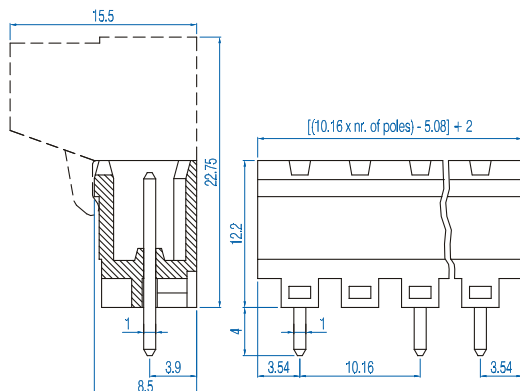
**INSTALLATION DATA**

Screw Size	–	PCB Hole Size	1.5mm
Torque	–	Stripping Lgth.	–

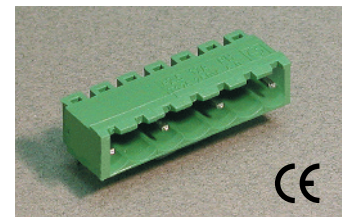
**MATERIAL**

Body	Polyamide	Screw	–
Flammability Class	UL94V-0	Terminal	Tin-Plated Brass
Temperature Limit	105°C UL 125°C IEC	Clamp	–
Color	Green		

No. Poles	Cat. #	Length (mm)	Std. Pk.
2	PVP02-10.16	17.2	100
3	PVP03-10.16	27.4	100
4	PVP04-10.16	37.6	50
5	PVP05-10.16	47.7	50
6	PVP06-10.16	57.9	50
7	PVP07-10.16	68.0	50
8	PVP08-10.16	78.2	50
9	PVP09-10.16	88.4	50
10	PVP10-10.16	98.5	50
11	PVP11-10.16	108.7	20
12	PVP12-10.16	118.8	20





Pin Spacing: 10.16mm  
 Orientation: Horizontal Header  
 Clamp Type: –  
 Design: Single Mold - Closed End



**PHPxx-10.16**

**ELECTRICAL**

	Current	Voltage	Wire Range
	12A	600V	–
	16A	750V	–

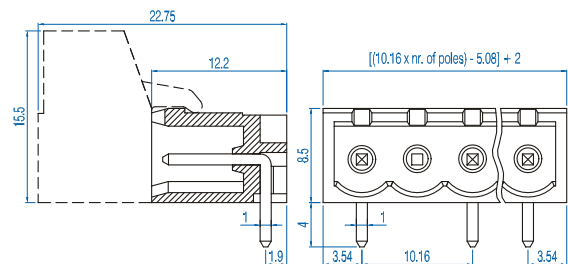
**INSTALLATION DATA**

Screw Size	–	PCB Hole Size	1.5mm
Torque	–	Stripping Lgth.	–

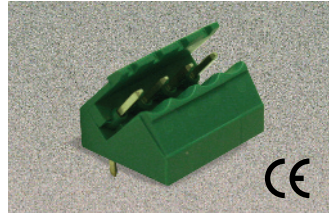
**MATERIAL**

Body	Polyamide	Screw	–
Flammability Class	UL94V-0	Terminal	Tin-Plated Brass
Temperature Limit	105°C UL 125°C IEC	Clamp	–
Color	Green		

No. Poles	Cat. #	Length (mm)	Std. Pk.
2	PHP02-10.16	17.2	100
3	PHP03-10.16	27.4	100
4	PHP04-10.16	37.6	50
5	PHP05-10.16	47.7	50
6	PHP06-10.16	57.9	50
7	PHP07-10.16	68.0	50
8	PHP08-10.16	78.2	50
9	PHP09-10.16	88.4	50
10	PHP10-10.16	98.5	50
11	PHP11-10.16	108.7	20
12	PHP12-10.16	118.8	20

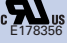



Pin Spacing: 10.16mm  
 Orientation: 45° Angle Header  
 Clamp Type: –  
 Design: Single Mold



**Plxx-10.16**

**ELECTRICAL**

	Current	Voltage	Wire Range
	12A	600V	–
	16A	750V	–

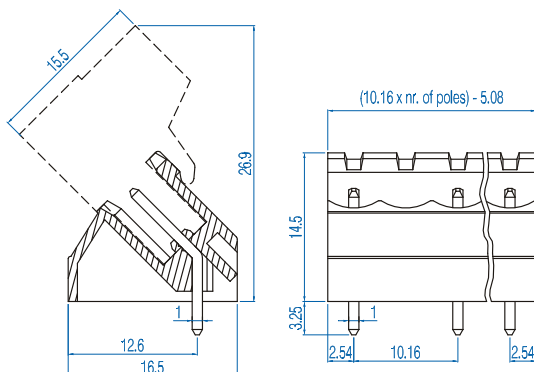
**INSTALLATION DATA**

Screw Size	–	PCB Hole Size	1.5mm
Torque	–	Stripping Lgth.	–

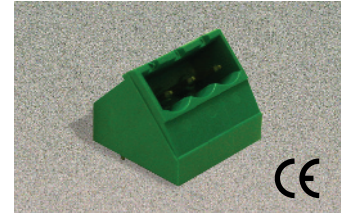
**MATERIAL**

Body	Polyamide	Screw	–
Flammability Class	UL94V-0	Terminal	Tin-Plated Brass
Temperature Limit	105°C UL 125°C IEC	Clamp	–
Color	Green		

No. Poles	Cat. #	Length (mm)	Std. Pk.
2	PI02-10.16	15.2	100
3	PI03-10.16	25.4	100
4	PI04-10.16	35.6	50
5	PI05-10.16	45.7	50
6	PI06-10.16	55.9	50
7	PI07-10.16	66.0	50
8	PI08-10.16	76.2	50
9	PI09-10.16	86.4	50
10	PI10-10.16	96.5	50
11	PI11-10.16	106.7	20
12	PI12-10.16	116.8	20



Pin Spacing: 10.16mm  
 Orientation: 45° Angle Header  
 Clamp Type: –  
 Design: Single Mold



**PIPxx-10.16**

**ELECTRICAL**

	Current	Voltage	Wire Range
	12A	600V	–
	16A	750V	–

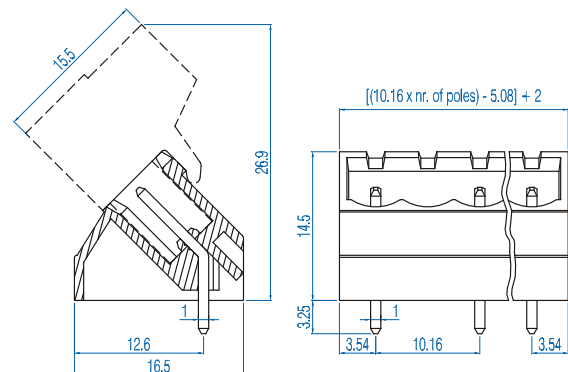
**INSTALLATION DATA**

Screw Size	–	PCB Hole Size	1.5mm
Torque	–	Stripping Lgth.	–

**MATERIAL**

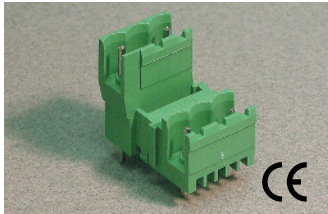
Body	Polyamide	Screw	–
Flammability Class	UL94V-0	Terminal	Tin-Plated Brass
Temperature Limit	105°C UL 125°C IEC	Clamp	–
Color	Green		

No. Poles	Cat. #	Length (mm)	Std. Pk.
2	PIP02-10.16	17.2	100
3	PIP03-10.16	27.4	100
4	PIP04-10.16	37.6	50
5	PIP05-10.16	47.7	50
6	PIP06-10.16	57.9	50
7	PIP07-10.16	68.0	50
8	PIP08-10.16	78.2	50
9	PIP09-10.16	88.4	50
10	PIP10-10.16	98.5	50
11	PIP11-10.16	108.7	20
12	PIP12-10.16	118.8	20



# 10.16mm Pin Spacing – Pluggable PCB Blocks

Pin Spacing: 10.16mm  
 Orientation: Vertical-Double  
 Level Header  
 Clamp Type: –  
 Design: Modular - Open End



**PDSVxx-10.16**

**ELECTRICAL**

	Current	Voltage	Wire Range
	12A	600V	–
	16A	750V	–

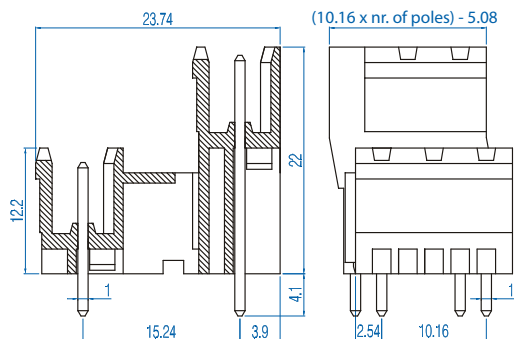
**INSTALLATION DATA**

Screw Size	–	PCB Hole Size	1.5mm
Torque	–	Stripping Lgth.	–

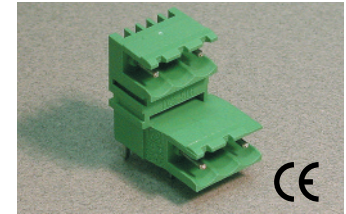
**MATERIAL**

Body	Polyamide	Screw	–
Flammability Class	UL94V-0	Terminal	Tin-Plated Brass
Temperature Limit	105°C UL 125°C IEC	Clamp	–
Color	Green		

No. Poles	Cat. #	Length (mm)	Std. Pk.
4	PDSV02-10.16	17.8	100
6	PDSV03-10.16	30.5	50
8	PDSV04-10.16	43.2	50
10	PDSV05-10.16	55.9	50
12	PDSV06-10.16	68.6	20
14	PDSV07-10.16	81.3	20
16	PDSV08-10.16	94.0	20
18	PDSV09-10.16	106.7	20
20	PDSV10-10.16	119.4	10
22	PDSV11-10.16	132.1	10
24	PDSV12-10.16	144.8	10



Pin Spacing: 10.16mm  
 Orientation: Horizontal-Double  
 Level Header  
 Clamp Type: –  
 Design: Modular - Open End



**PDSHxx-10.16**

**ELECTRICAL**

	Current	Voltage	Wire Range
	12A	600V	–
	16A	750V	–

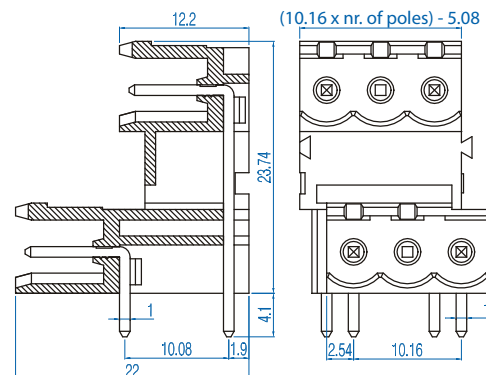
**INSTALLATION DATA**

Screw Size	–	PCB Hole Size	1.5mm
Torque	–	Stripping Lgth.	–

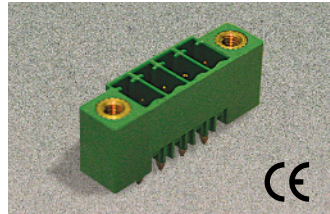
**MATERIAL**

Body	Polyamide	Screw	–
Flammability Class	UL94V-0	Terminal	Tin-Plated Brass
Temperature Limit	105°C UL 125°C IEC	Clamp	–
Color	Green		

No. Poles	Cat. #	Length (mm)	Std. Pk.
4	PDSH02-10.16	17.8	100
6	PDSH03-10.16	30.5	50
8	PDSH04-10.16	43.2	50
10	PDSH05-10.16	55.9	50
12	PDSH06-10.16	68.6	20
14	PDSH07-10.16	81.3	20
16	PDSH08-10.16	94.0	20
18	PDSH09-10.16	106.7	20
20	PDSH10-10.16	119.4	10
22	PDSH11-10.16	132.1	10
24	PDSH12-10.16	144.8	10



Pin Spacing: 10.16mm  
 Orientation: Vertical Header with Screw Flange  
 Clamp Type: Screw Cage  
 Design: Single Mold



**PVxx-10.16-K**

**ELECTRICAL**

	Current	Voltage	Wire Range
	12A	600V	–
	16A	750V	–

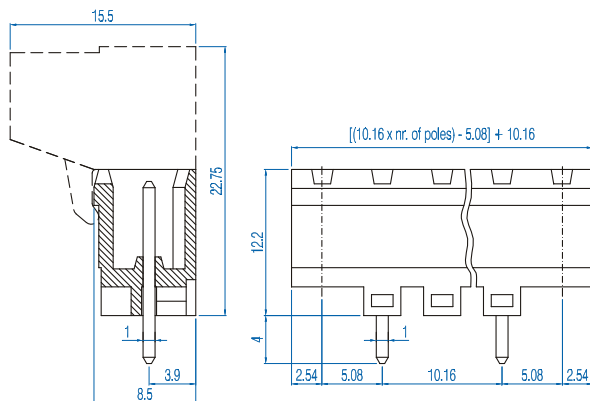
**INSTALLATION DATA**

Screw Size	–	PCB Hole Size	1.5mm
Torque	–	Stripping Lgth.	–

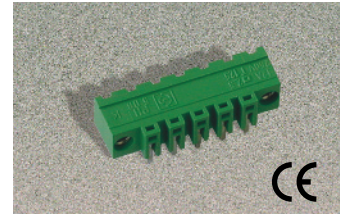
**MATERIAL**

Body	Polyamide	Screw	–
Flammability Class	UL94V-0	Terminal	Tin-Plated Brass
Temperature Limit	105°C UL 125°C IEC	Clamp	–
Color	Green		

No. Poles	Cat. #	Length (mm)	Std. Pk.
2	PV02-10.16-K	25.4	100
3	PV03-10.16-K	35.6	100
4	PV04-10.16-K	45.7	50
5	PV05-10.16-K	55.9	50
6	PV06-10.16-K	66.0	50
7	PV07-10.16-K	76.2	50
8	PV08-10.16-K	86.4	50
9	PV09-10.16-K	96.5	50
10	PV10-10.16-K	106.7	50
11	PV11-10.16-K	116.8	50



Pin Spacing: 10.16mm  
 Orientation: Horizontal Header with Screw Flange  
 Clamp Type: –  
 Design: Single Mold



**PHxx-10.16-K**

**ELECTRICAL**

	Current	Voltage	Wire Range
	12A	600V	–
	16A	750V	–

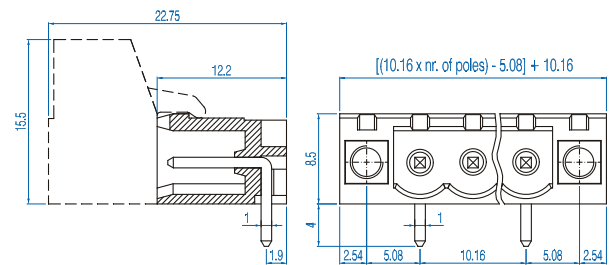
**INSTALLATION DATA**

Screw Size	–	PCB Hole Size	1.5mm
Torque	–	Stripping Lgth.	–

**MATERIAL**

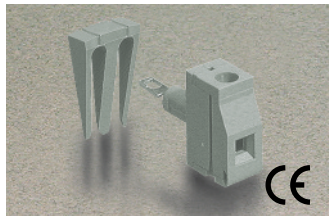
Body	Polyamide	Screw	–
Flammability Class	UL94V-0	Terminal	Tin-Plated Brass
Temperature Limit	105°C UL 125°C IEC	Clamp	–
Color	Green		

No. Poles	Cat. #	Length (mm)	Std. Pk.
2	PH02-10.16-K	25.4	100
3	PH03-10.16-K	35.6	100
4	PH04-10.16-K	45.7	50
5	PH05-10.16-K	55.9	50
6	PH06-10.16-K	66.0	50
7	PH07-10.16-K	76.2	50
8	PH08-10.16-K	86.4	50
9	PH09-10.16-K	96.5	50
10	PH10-10.16-K	106.7	50
11	PH11-10.16-K	116.8	50



## 7.50 and 10.00mm Pin Spacing – Panel Mount

Pin Spacing: 7.50mm  
 Orientation: Panel Mount  
 Clamp Type: Screw Cage  
 Design: Modular



**MPT-275-GY**  
**CMR-75-GY**

### ELECTRICAL

	Current	Voltage	Wire Range
	15A <sup>①</sup>	300V	30-14AWG
	24A	450V	2.5mm <sup>2</sup> Stranded 4.0mm <sup>2</sup> Solid

### INSTALLATION DATA

<b>Screw Size</b>	M3	<b>Panel Hole Size</b>	5.2mm
<b>Torque</b>	0.5Nm (4.5 lbf-in.)	<b>Stripping Lgth.</b>	10.1mm

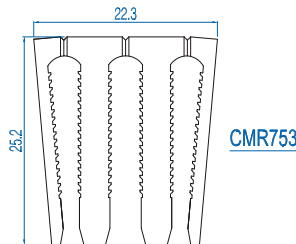
### MATERIAL

<b>Body</b>	Polyamide	<b>Screw</b>	Galvanized Steel
<b>Flammability Class</b>	UL94V-0	<b>Terminal</b>	Tin-Plated Brass
<b>Temperature Limit</b>	125°C IEC	<b>Clamp</b>	Nickel Brass
<b>Color</b>	Gray		

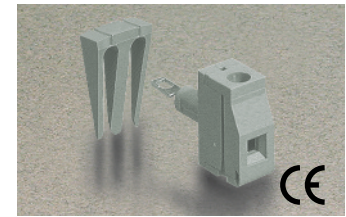
No. Poles	Cat. #	Length (mm)	Std. Pk.
1	MPT-275-GY	7.5	100

### Retaining Key

2	CMR-752-GY	14.8	50
3	CMR-753-GY	22.3	50



Pin Spacing: 10.00mm  
 Orientation: Panel Mount  
 Clamp Type: Screw Cage  
 Design: Modular



**MPT-410-GY**  
**CMR-10-GY**

### ELECTRICAL

	Current	Voltage	Wire Range
	20A <sup>②</sup>	600V	30-12AWG
	32A	450V	4.0mm <sup>2</sup> Stranded 6.0mm <sup>2</sup> Solid

### INSTALLATION DATA

<b>Screw Size</b>	M3	<b>Panel Hole Size</b>	8.2mm
<b>Torque</b>	0.5Nm (4.5 lbf-in.)	<b>Stripping Lgth.</b>	10.1mm

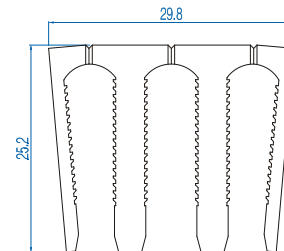
### MATERIAL

<b>Body</b>	Polyamide	<b>Screw</b>	Galvanized Steel
<b>Flammability Class</b>	UL94V-0	<b>Terminal</b>	Tin-Plated Brass
<b>Temperature Limit</b>	125°C IEC	<b>Clamp</b>	Nickel Brass
<b>Color</b>	Gray		

No. Poles	Cat. #	Length (mm)	Std. Pk.
1	MPT-410-GY	10.0	100

### Retaining Key

2	CMR-102-GY	19.8	50
3	CMR-103-GY	29.3	50

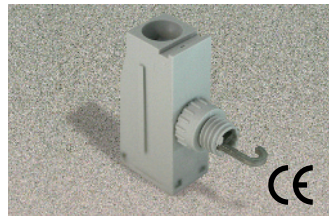


<sup>①</sup> 24A Factory Wiring - UL

<sup>②</sup> 32A Factory Wiring - UL



Pin Spacing: 10.00mm  
 Orientation: Panel Mount  
 Clamp Type: Screw Cage  
 Design: Modular with nut



**MPT-610-xx**

**ELECTRICAL**

	Current	Voltage	Wire Range
	50A	600V	30-8 AWG
	41A	750V	6.0mm <sup>2</sup> Stranded 10.0mm <sup>2</sup> Solid

**INSTALLATION DATA**

<b>Screw Size</b>	M4	<b>Panel Hole Size</b>	7.2mm
<b>Torque</b>	1.2Nm (10.8 lbf-in.)	<b>Stripping Lgth.</b>	13.4mm

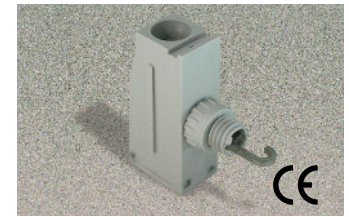
**MATERIAL**

<b>Body</b>	Polyamide	<b>Screw</b>	Galvanized Steel
<b>Flammability Class</b>	UL94V-0	<b>Terminal</b>	Tin-Plated Brass
<b>Temperature Limit</b>	105°C UL 125°C IEC	<b>Clamp</b>	Nickeled Brass
<b>Color</b>	Gray		

No. Poles	Cat. #	Length (mm)	Std. Pk.
1	MPT-610-D	10.0	100
1	MPT-610-DP	10.0	100
1	MPT-610-DO	10.0	100

**10.00mm Pin Spacing – Panel Mount**

Pin Spacing: 10.00mm  
 Orientation: Panel Mount  
 Clamp Type: Screw Cage  
 Design: Modular with nut



**MPT-1010-xx**

**ELECTRICAL**

	Current	Voltage	Wire Range
	65A	600V	30-6 AWG
	57A	750V	10.0mm <sup>2</sup> Stranded 16.0mm <sup>2</sup> Solid

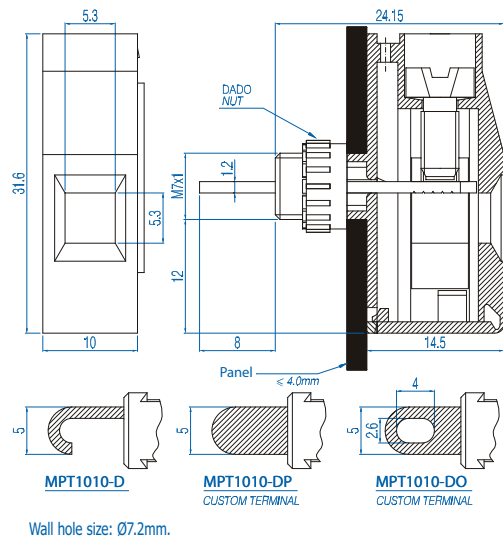
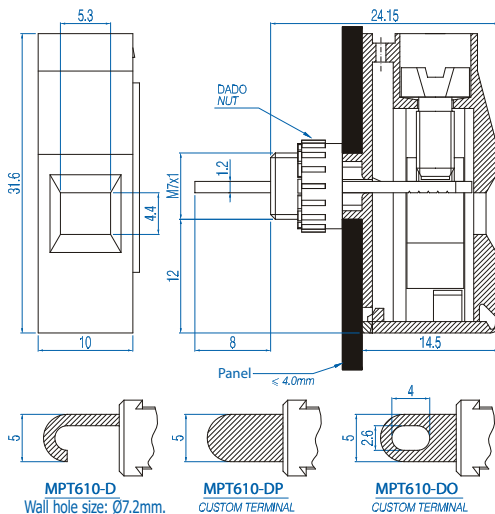
**INSTALLATION DATA**

<b>Screw Size</b>	M4	<b>Panel Hole Size</b>	7.2mm
<b>Torque</b>	1.2Nm (10.8 lbf-in.)	<b>Stripping Lgth.</b>	13.4mm

**MATERIAL**

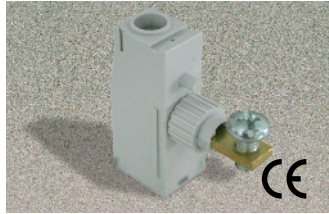
<b>Body</b>	Polyamide	<b>Screw</b>	Galvanized Steel
<b>Flammability Class</b>	UL94V-0	<b>Terminal</b>	Tin-Plated Brass
<b>Temperature Limit</b>	105°C UL 125°C IEC	<b>Clamp</b>	Nickeled Brass
<b>Color</b>	Gray		

No. Poles	Cat. #	Length (mm)	Std. Pk.
1	MPT-1010-D	10.0	100
1	MPT-1010-DP	10.0	100
1	MPT-1010-DO	10.0	100





# 12.10mm Pin Spacing – Panel Mount

Pin Spacing: 12.10mm  
 Orientation: Panel Mount  
 Clamp Type: Screw Cage  
 Design: Modular with nut



**MPT-1612-x**

### ELECTRICAL

	Current	Voltage	Wire Range
 US E178356	85A	600V	30-11 AWG
	76A	450V	16.0mm <sup>2</sup> Stranded 25.0mm <sup>2</sup> Solid

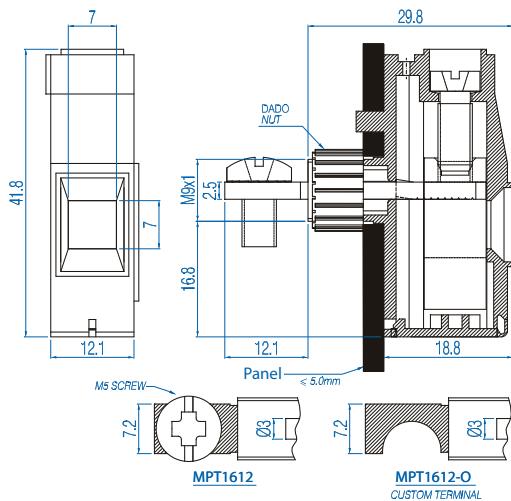
### INSTALLATION DATA

<b>Screw Size</b>	M5	<b>Panel Hole Size</b>	9.2mm
<b>Torque</b>	2.0Nm (18.0 lbf-in.)	<b>Stripping Lgth.</b>	17.0mm

### MATERIAL

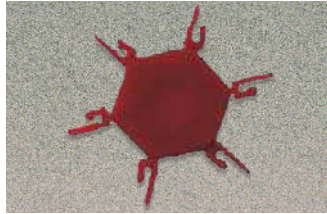
<b>Body</b>	Polyamide	<b>Screw</b>	Galvanized Steel
<b>Flammability Class</b>	UL94V-0	<b>Terminal</b>	Tin-Plated Brass
<b>Temperature Limit</b>	105°C UL 125°C IEC	<b>Clamp</b>	Nickel Brass
<b>Color</b>	Gray		

No. Poles	Cat. #	Length (mm)	Std. Pk.
1	MPT-1612	12.1	50
1	MPT-1612-O	12.1	50



Wall hole size: Ø3.3mm / 10mm.

Coding Spline  
 Working Temp: 125°C  
 Color: Red  
 Body: PA66/6 UL94-Vo  
 Application: Plug-in Connectors

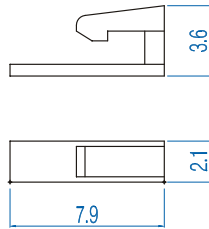


**POL-P**

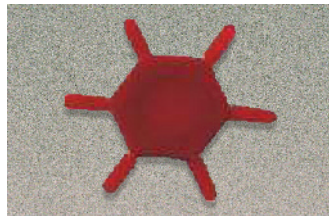
Cat. #	Length (mm)	Std. Pk.
POL-P	7.90	30/5

**Used for parts:**

- PVXX-5.00, 5.08, 7.50
- PHXX-5.00, 5.08, 7.50
- PVPXX-5.00, 5.08, 7.50
- PHPXX-5.00, 5.08, 7.50
- PDSHXX-5.00, 5.08
- PDSVXX-5.00, 5.08
- PDVXX-5.00, 5.08
- PDHXX-5.00, 5.08
- PIXX-5.00, 5.08
- PIPXX-5.00, 5.08
- SFXX-5.00, 5.08



Coding Spline  
 Working Temp: 125°C  
 Color: Red  
 Body: PA66/6 UL94-Vo  
 Application: Plug-in Connectors

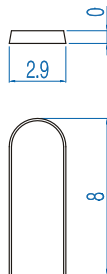


**POL-S**

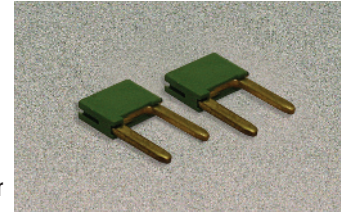
Cat. #	Length (mm)	Std. Pk.
POL-S	7.90	30/5

**Used for parts:**

- SHXX-5.00, 5.08, 7.50
- PVPXX-3.50, 3.81
- PHPXX-3.50, 3.81
- SVFXX-5.08
- SVP-5.08

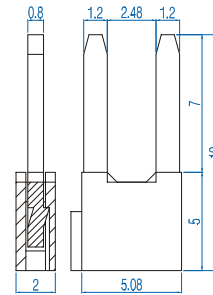


Jumpers, Adjacent  
 Working Temp: 125°C  
 Color: Green  
 Body: PA66/6 UL94-Vo  
 Application: Jumper Connection  
 Design: 5.08 Spacing Modular

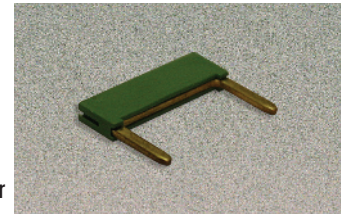


**PT5**

Cat. #	Length (B) (mm)	Std. Pk.
PT5	10.16	100

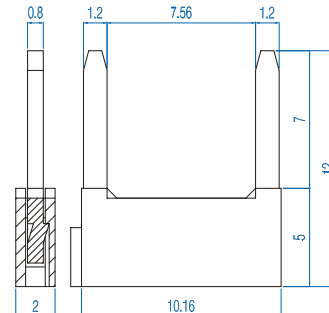


Jumpers, Alternate  
 Working Temp: 125°C  
 Color: Green  
 Body: PA66/6 UL94-Vo  
 Application: Jumper Connection  
 Design: 10.16 Spacing Modular



**PT10**

Cat. #	Length (B) (mm)	Std. Pk.
PT10	10.16	100





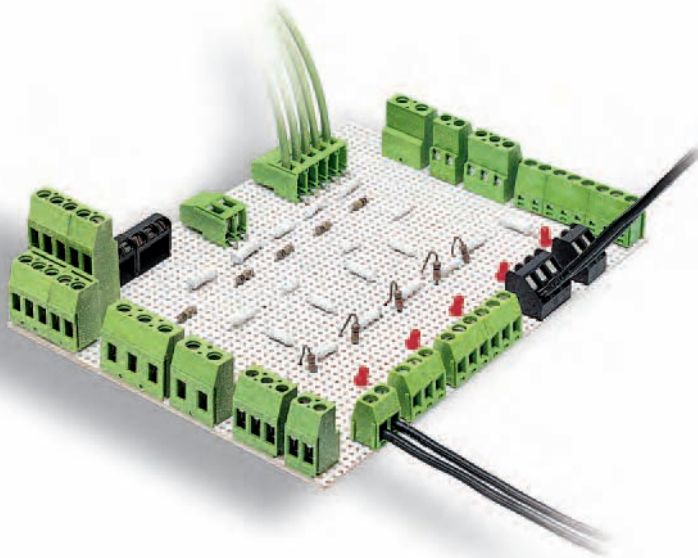
# *We still offer our original line of Printed Circuit Board Terminal Blocks.*

## *Why is this good?*

- *Wider Selection & Availability*
- *Retain Original Circuit Designs*
- *Convenience*

*Ask your Altech Sales Representative for more information.*

## *The Choice is Yours!*



## *Because you can never have 2 many choices!*

**See  
Next  
Page**

# Original Printed Circuit Board Terminal Blocks

## Fixed Printed Circuit

### US Pin Spacing

#### Tubular Screw Clamp

AKZ500	Front Wire Entry
AK(Z)505	Top Wire Entry
AKZ120	Front Wire Entry
AKZ125	Top Wire Entry
AK(Z)110	Front Wire Entry

## Fixed Printed Circuit

### US Pin Spacing

#### Screw-Cage Clamp

AKZ300	45° Wire Entry
AKZ250	Front Wire Entry
AKZ350	Front Wire Entry
AKZ351	Front Wire Entry
AKZ700	Front Wire Entry
AKZ705	Top Wire Entry
AKZ750	Front Wire Entry
AKZ710	Front Wire Entry
AKZ800	Front Wire Entry
AKZ850	Front Wire Entry

## Fixed Printed Circuit

### US Pin Spacing

#### Dual Pin Screwless Spring Clamp

AK(Z)3000	45° Wire Entry without Lever
AK(Z)3001KD	45° Wire Entry with Grooved Push lever
AK(Z)3001FD	with Flat Push Lever

## Pluggable Printed Circuit

### US Pin Spacing

#### Tubular Screw Clamp Plug and Pin Headers

AK(Z)130	Modular Plug
AK(Z)132	Single Mold Plug
STL(Z)130	Straight Pin Header
STL(Z)140	Right Angle Pin Header
STL(Z)132	Straight Pin Header

## Mini Pluggable Printed Circuit

### US Pin Spacing

#### Screw-Cage Clamp Plug and Headers

AKZ1550	Wire Entry in Same Direction as Plug-In
STLZ1550-W	Horizontal - Closed End
STLZ1555-W	Vertical - Closed End

## Standard Pluggable Printed Circuit

### US Pin Spacing

#### Screw-Cage Clamp Plug

AKZ950	Wire Entry in Same Direction as Plug-In
AKZ960	Plug
BU02	Wire Entry Perpendicular to Plug-In
BU04	Wire Entry Perpendicular to Plug-In
AKZ1200	Wire Entry and Screws on Same Side as Plug-In

## Standard Pluggable Printed Circuit

### US Pin Spacing

#### Headers

STLZ950-W	Horizontal - Closed Ends
STLZ950-O	Horizontal - Open Ends
STLZ11-O	Horizontal - Open Ends
STLZ955-W	Vertical - Closed Ends
STLZ955-O	Vertical - Open Ends
STLZ990-W	Header, 45° - Closed Ends
STLZ990-O	Header, 45° - Open Ends
STLZ960-W	Horizontal Header - Closed Ends
STLZ965-W	Vertical Header - Closed Ends

## Standard Pluggable Printed Circuit

### US Pin Spacing

#### Double Level Headers

STLZ970-0	Horizontal - Open Ends
STLZ975-0	Vertical - Open Ends

## Fixed Printed Circuit

### Metric Pin Spacing

#### Tubular Screw Clamp

AK550	Front Wire Entry
AK555	Top Wire Entry
AK500	Front Wire Entry
AK505	Top Wire Entry
AK100	Front Wire Entry
AK105	Top Wire Entry
AK110	Front Wire Entry
AK115	Top Wire Entry
AK600	Front Wire Entry

## Fixed Printed Circuit

### Metric Pin Spacing

#### Screw-Cage Clamp

AK300	45° Wire Entry
AK(Z)250	Front Wire Entry
AK350	Front Wire Entry
AK351	Front Wire Entry
AK700	Front Wire Entry
AK705	Top Wire Entry
AK750	Top Wire Entry
AK790	Front Wire Entry
AK793	Front Wire Entry
AK710	Front Wire Entry
AK800	Front Wire Entry
AK850	Front Wire Entry

## Fixed Printed Circuit

### Metric Pin Spacing

#### Dual Pin Screwless Spring Clamp

AK3000	45° Wire Entry without Lever
AK3001KD	45° Wire Entry with Grooved Push Lever
AK3001FD	45° Wire Entry with Flat Push Lever

## Pluggable Printed Circuit

### Metric Pin Spacing

#### Tubular Screw Clamp Plug and Pin Headers

AK130	Modular Plug
AK132	Single Mold Plug
STL130	Straight Pin Header
STL140	Right Angle Pin Header
STL132	Straight Pin Header

## Standard Pluggable Printed Circuit

### Metric Pin Spacing

#### Screw-Cage Clamp Plug

AK950	Wire Entry in Same Direction as Plug-in
BU06	Wire Entry Perpendicular to Plug-in
BU08	Wire Entry Perpendicular to Plug-in

## Pluggable Printed Circuit

### Metric Pin Spacing

#### Headers

STL950-W	Horizontal - Closed Ends
STL950-O	Horizontal - Open Ends
STL955-W	Vertical - Closed Ends
STL955-O	Vertical - Open Ends

**Ask your Altech  
Sales Representative  
for more information.**

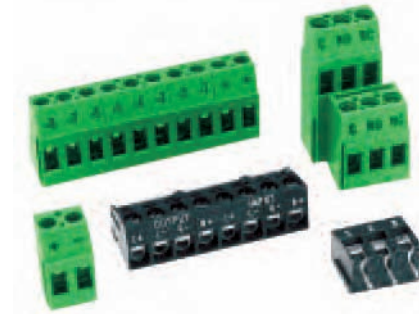
For high volume requirements or when it is impractical to apply PSA Marking Labels, use Hot Stamp Imprinting to provide positive circuit identification for Fixed and Pluggable Printed Circuit Terminal Blocks. Properly identified circuits increase wiring efficiency, save installation time and make wire hook-up, system modifications and trouble shooting quick and easy.

Hot Stamp Imprinting provides a permanent marking which will not rub, wear or wash off even when solvents are present.

Standard or custom imprint sequences are available for 2 to 24 pole positions. Imprints are centered above the wire entry. A setup fee applies.

**Standard Imprint**

- Character Style example: LNLG
- Character Size: 8 Pt., 2.4mm (3/32 in.) high
- Standard Imprint Color: Black on Green
- Housing; White on Gray Housing
- Optional Imprint Color: White on Green Housing



**Imprint Ordering**

Standard Imprints can be specified and ordered by adding the required suffix after the Cat. No. and Type designation. Simply select the appropriate Ordering Suffix for the required Imprint Sequence.

Hot Stamp Imprints up to 12 poles are standard for US (inch) and metric (mm) spacings. For pricing purposes, they are considered to be one assembly.

Imprints with 13-24 poles are considered to be (2) assemblies. For pricing purposes, they are considered to be two assemblies.

Consult Altech for Hot Stamp Imprinting pricing, minimum order quantities and applicable lot charges.

**Custom Imprints**

Special number sequences and character combinations including letters, symbols and numbers are available. To order special sequences or combinations send us your imprint schedule. For die charges and minimum order quantities for your custom imprints, please consult Altech.

**STANDARD IMPRINT**

i A	(1, 2, 3, 4, ...)	Consecutive, Ascending, Left to Right	<table border="1"> <tr><td>1</td><td>2</td><td>3</td><td>4</td></tr> <tr><td>□</td><td>□</td><td>□</td><td>□</td></tr> <tr><td>┆</td><td>┆</td><td>┆</td><td>┆</td></tr> </table>	1	2	3	4	□	□	□	□	┆	┆	┆	┆
1	2	3	4												
□	□	□	□												
┆	┆	┆	┆												
i B	(... 4, 3, 2, 1)	Consecutive, Descending Left to Right	<table border="1"> <tr><td>4</td><td>3</td><td>2</td><td>1</td></tr> <tr><td>□</td><td>□</td><td>□</td><td>□</td></tr> <tr><td>┆</td><td>┆</td><td>┆</td><td>┆</td></tr> </table>	4	3	2	1	□	□	□	□	┆	┆	┆	┆
4	3	2	1												
□	□	□	□												
┆	┆	┆	┆												
i C	(1, 2, 3, 4, ...)	Upside Down, Consecutive Descending, Left to Right	<table border="1"> <tr><td>4</td><td>3</td><td>2</td><td>1</td></tr> <tr><td>□</td><td>□</td><td>□</td><td>□</td></tr> <tr><td>┆</td><td>┆</td><td>┆</td><td>┆</td></tr> </table>	4	3	2	1	□	□	□	□	┆	┆	┆	┆
4	3	2	1												
□	□	□	□												
┆	┆	┆	┆												
i D	(... 4, 3, 2, 1)	Upside Down, Consecutive Ascending, Left to Right	<table border="1"> <tr><td>1</td><td>2</td><td>3</td><td>4</td></tr> <tr><td>□</td><td>□</td><td>□</td><td>□</td></tr> <tr><td>┆</td><td>┆</td><td>┆</td><td>┆</td></tr> </table>	1	2	3	4	□	□	□	□	┆	┆	┆	┆
1	2	3	4												
□	□	□	□												
┆	┆	┆	┆												

**Standard Imprint Example:**

13 pole, Type MV-4612 Printed Circuit Terminal Block to be imprinted upside down with descending, consecutive numbers reading left to right should be ordered as below:

<b>Type</b> MV-4612iA
--------------------------

## X-ON Electronics

Largest Supplier of Electrical and Electronic Components

*Click to view similar products for [Fixed Terminal Blocks](#) category:*

*Click to view products by [Altech](#) manufacturer:*

Other Similar products are found below :

[MBE-1512](#) [MBE-154](#) [MBE-156](#) [MBES-153](#) [MBES-156](#) [MH-2512](#) [MHE-132](#) [MHE-163](#) [MI-254 \(35\)](#) [MI-272](#) [880507](#) [MPT-275](#)  
[15602-04-08-21](#) [BA311TU](#) [BA411SU](#) [MV-152](#) [MV-252-D](#) [MV-253/NCNOC](#) [MV-254-D](#) [MV-255](#) [MV-462](#) [MV-493](#) [MVE-252](#) [MVE-253](#)  
[MVE-273](#) [MVEB-153](#) [1700096](#) [1705142](#) [1745195](#) [1760594](#) [1776118-2](#) [1-796689-8](#) [1-796692-6](#) [20020314-C121B01LF](#) [CB2-12](#)  
[KP03215000J0G](#) [KP04215000J0G](#) [S451](#) [282802-2](#) [29.007](#) [29.116](#) [30.103](#) [30.106](#) [30.252](#) [30.503](#) [30.608](#) [30.753](#) [30.755](#) [30.756](#) [30.853](#)