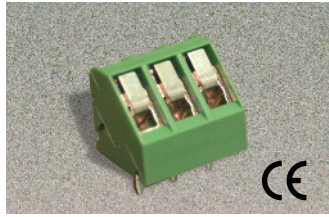


5.00mm Pin Spacing – Fixed PCB Blocks

Pin Spacing: 5.00mm
 Orientation: 35°
 Clamp Type: Screw Cage
 Design: Modular



MIP-25xx-5.00-IQ

ELECTRICAL

	Current	Voltage	Wire Range
	24A ^①	300V	30-14 AWG
	24A	250V	2.5mm ²

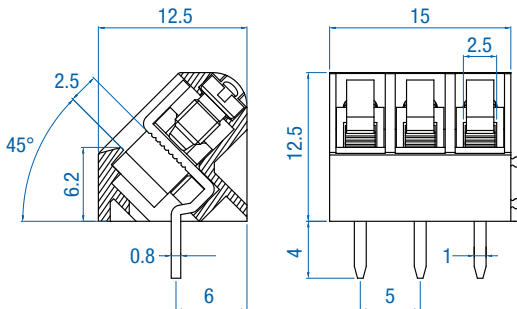
INSTALLATION DATA

Screw Size	M3	PCB Hole Size	1.5mm
Torque	0.5Nm (4.5lbf-in)	Stripping Lgth.	6.9mm

MATERIAL

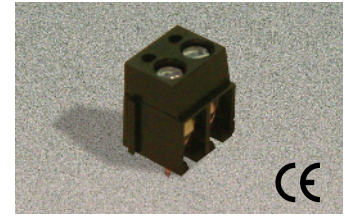
Body	Polyamide	Screw	Galvanized Steel
Flammability Class	UL94V-0	Terminal	Tin-Plated Brass
Temperature Limit	105°C UL 125°C IEC	Clamp	Nickel Brass
Color	Green		

No. Poles	Cat. #	Length (mm)	Std. Pk.
2	MIP252-5.00-IQ	10.0	100
3	MIP253-5.00-IQ	15.0	100
4	MIP254-5.00-IQ	20.0	50
5	MIP255-5.00-IQ	25.0	50
6	MIP256-5.00-IQ	30.0	50
7	MIP257-5.00-IQ	35.0	50
8	MIP258-5.00-IQ	40.0	50
9	MIP259-5.00-IQ	45.0	50
10	MIP2510-5.00-IQ	50.0	50
11	MIP2511-5.00-IQ	55.0	50
12	MIP2512-5.00-IQ	60.0	50
13	MIP2513-5.00-IQ	65.0	20
14	MIP2514-5.00-IQ	70.0	20
15	MIP2515-5.00-IQ	75.0	20
16	MIP2516-5.00-IQ	80.0	20
17	MIP2517-5.00-IQ	85.0	20
18	MIP2518-5.00-IQ	90.0	20
19	MIP2519-5.00-IQ	95.0	20
20	MIP2520-5.00-IQ	100.0	20
21	MIP2521-5.00-IQ	105.0	20
22	MIP2522-5.00-IQ	110.0	20
23	MIP2523-5.00-IQ	115.0	20
24	MIP2524-5.00-IQ	120.0	20



① 17.5A Factory Wiring - UL

Pin Spacing: 5.00mm
 Orientation: Vertical
 Clamp Type: Box with Wire Protector
 Design: Modular



MVE-16xx

ELECTRICAL

	Current	Voltage	Wire Range
	10A	300V	30-16AWG
	17.5A	450V	1.5mm ² Stranded 2.5mm ² Solid

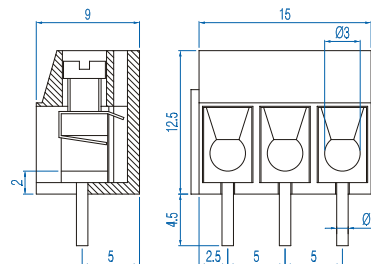
INSTALLATION DATA

Screw Size	M2.5	PCB Hole Size	1.5mm
Torque	0.4Nm (3.6 lbf-in.)	Stripping Lgth.	6.8mm

MATERIAL

Body	PA6.8	Screw	Galvanized Steel
Flammability Class	UL94V-0	Terminal	Tin-Plated Brass
Temperature Limit	105°C UL 125°C IEC	Wire Protector	Tin-Plated Bronze
Color	Green		

No. Poles	Cat. #	Length (B) (mm)	Std. Pk.
2	MVE-162	10.0	100
3	MVE-163	15.0	100
4	MVE-164	20.0	50
5	MVE-165	25.0	50
6	MVE-166	30.0	50
7	MVE-167	35.0	50
8	MVE-168	40.0	50
9	MVE-169	45.0	50
10	MVE-1610	50.0	50
11	MVE-1611	55.0	50
12	MVE-1612	60.0	50
13	MVE-1613	65.0	20
14	MVE-1614	70.0	20
15	MVE-1615	75.0	20
16	MVE-1616	80.0	20
17	MVE-1617	85.0	20
18	MVE-1618	90.0	20
19	MVE-1619	95.0	20
20	MVE-1620	100.0	20
21	MVE-1621	105.0	20
22	MVE-1622	110.0	20
23	MVE-1623	115.0	20
24	MVE-1624	120.0	20



X-ON Electronics

Largest Supplier of Electrical and Electronic Components

Click to view similar products for [Fixed Terminal Blocks](#) category:

Click to view products by [Altech](#) manufacturer:

Other Similar products are found below :

[MBE-1512](#) [MBE-154](#) [MBE-156](#) [MBES-153](#) [MBES-156](#) [MH-2512](#) [MHE-132](#) [MHE-163](#) [MI-254 \(35\)](#) [MI-272](#) [880507](#) [MPT-275](#)
[15602-04-08-21](#) [BA311TU](#) [BA411SU](#) [MV-152](#) [MV-252-D](#) [MV-253/NCNOC](#) [MV-254-D](#) [MV-255](#) [MV-462](#) [MV-493](#) [MVE-252](#) [MVE-253](#)
[MVE-273](#) [MVEB-153](#) [1700096](#) [1705142](#) [1745195](#) [1760594](#) [1776118-2](#) [1-796689-8](#) [1-796692-6](#) [20020314-C121B01LF](#) [CB2-12](#)
[KP03215000J0G](#) [KP04215000J0G](#) [S451](#) [282802-2](#) [29.007](#) [29.116](#) [30.103](#) [30.106](#) [30.252](#) [30.503](#) [30.608](#) [30.753](#) [30.755](#) [30.756](#) [30.853](#)