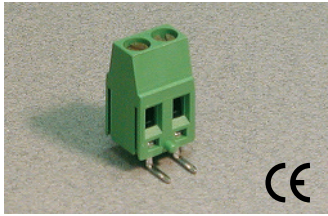


# 5.00mm Pin Spacing – Fixed PCB Blocks

Pin Spacing: 5.00mm  
 Orientation: Reverse Horizontal  
 Clamp Type: Screw Cage  
 Design: Modular



**MHR-25xx**

**ELECTRICAL**

	Current	Voltage	Wire Range
	15A <sup>②</sup>	300V	30-14AWG
	16A	250V	2.5mm <sup>2</sup> Stranded 4.0mm <sup>2</sup> Solid

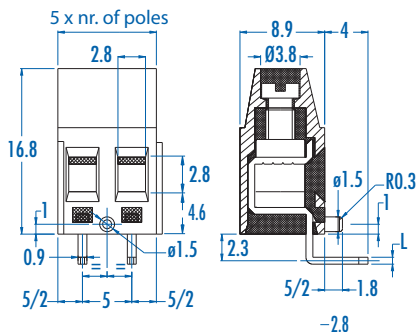
**INSTALLATION DATA**

<b>Screw Size</b>	M3	<b>PCB Hole Size</b>	1.3mm
<b>Torque</b>	0.5Nm (4.5 lbf-in.)	<b>Stripping Lgth.</b>	7.1mm

**MATERIAL**

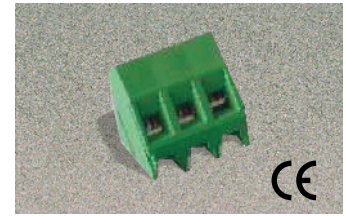
<b>Body</b>	Polyamide	<b>Screw</b>	Galvanized Steel
<b>Flammability Class</b>	UL94V-0	<b>Terminal</b>	Tin-Plated Brass
<b>Temperature Limit</b>	105°C UL 125°C IEC	<b>Clamp</b>	Nickel Brass
<b>Color</b>	Green		

No. Poles	Cat. #	Length (mm)	Std. Pk.
2	MHR-252	10.0	100
3	MHR-253	15.0	100
4	MHR-254	20.0	50
5	MHR-255	25.0	50
6	MHR-256	30.0	50
7	MHR-257	35.0	50
8	MHR-258	40.0	50
9	MHR-259	45.0	50
10	MHR-2510	50.0	50
11	MHR-2511	55.0	50
12	MHR-2512	60.0	50
13	MHR-2513	65.0	20
14	MHR-2514	70.0	20
15	MHR-2515	75.0	20
16	MHR-2516	80.0	20
17	MHR-2517	85.0	20
18	MHR-2518	90.0	20
19	MHR-2519	95.0	20
20	MHR-2520	100.0	20
21	MHR-2521	105.0	20
22	MHR-2522	110.0	20
23	MHR-2523	115.0	20
24	MHR-2524	120.0	20



② 16A Factory Wiring - UL

Pin Spacing: 5.00mm  
 Orientation: 35°  
 Clamp Type: Screw Cage  
 Design: Modular



**MVS-15xx (35)**

**ELECTRICAL**

	Current	Voltage	Wire Range
	10A <sup>①</sup>	300V	30-16 AWG
	17.5A	450V	1.5mm <sup>2</sup> stranded 2.5mm <sup>2</sup> solid

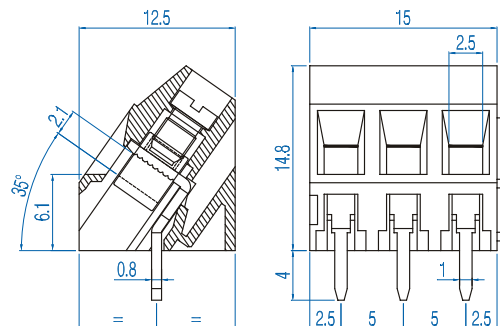
**INSTALLATION DATA**

<b>Screw Size</b>	M3	<b>PCB Hole Size</b>	1.5mm
<b>Torque</b>	0.5Nm (4.5 lbf-in)	<b>Stripping Lgth.</b>	6.9mm

**MATERIAL**

<b>Body</b>	Polyamide	<b>Screw</b>	Galvanized Steel
<b>Flammability Class</b>	UL94V-0	<b>Terminal</b>	Tin-Plated Brass
<b>Temperature Limit</b>	105°C UL 125°C IEC	<b>Clamp</b>	Nickel Brass
<b>Color</b>	Green		

No. Poles	Cat. #	Length (mm)	Std. Pk.
2	MVS-152(35)	10.0	100
3	MVS-153(35)	15.0	100
4	MVS-154(35)	20.0	50
5	MVS-155(35)	25.0	50
6	MVS-156(35)	30.0	50
7	MVS-157(35)	35.0	50
8	MVS-158(35)	40.0	50
9	MVS-159(35)	45.0	50
10	MVS-1510(35)	50.0	50
11	MVS-1511(35)	55.0	50
12	MVS-1512(35)	60.0	50
13	MVS-1513(35)	65.0	20
14	MVS-1514(35)	70.0	20
15	MVS-1515(35)	75.0	20
16	MVS-1516(35)	80.0	20
17	MVS-1517(35)	85.0	20
18	MVS-1518(35)	90.0	20
19	MVS-1519(35)	95.0	20
20	MVS-1520(35)	100.0	20
21	MVS-1521(35)	105.0	20
22	MVS-1522(35)	110.0	20
23	MVS-1523(35)	115.0	20
24	MVS-1524(35)	120.0	20



① 17.5A Factory Wiring - UL

## X-ON Electronics

Largest Supplier of Electrical and Electronic Components

*Click to view similar products for [Fixed Terminal Blocks](#) category:*

*Click to view products by [Altech](#) manufacturer:*

Other Similar products are found below :

[MBE-1512](#) [MBE-154](#) [MBE-156](#) [MBES-153](#) [MBES-156](#) [MH-2512](#) [MHE-132](#) [MHE-163](#) [MI-254 \(35\)](#) [MI-272](#) [880507](#) [MPT-275](#)  
[15602-04-08-21](#) [BA311TU](#) [BA411SU](#) [MV-152](#) [MV-252-D](#) [MV-253/NCNOC](#) [MV-254-D](#) [MV-255](#) [MV-462](#) [MV-493](#) [MVE-252](#) [MVE-253](#)  
[MVE-273](#) [MVEB-153](#) [1700096](#) [1705142](#) [1745195](#) [1760594](#) [1776118-2](#) [1-796689-8](#) [1-796692-6](#) [20020314-C121B01LF](#) [CB2-12](#)  
[KP03215000J0G](#) [KP04215000J0G](#) [S451](#) [282802-2](#) [29.007](#) [29.116](#) [30.103](#) [30.106](#) [30.252](#) [30.503](#) [30.608](#) [30.753](#) [30.755](#) [30.756](#) [30.853](#)