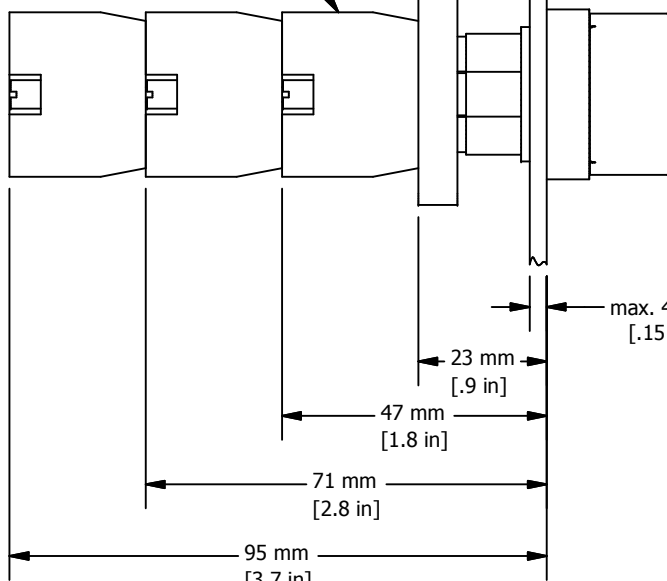


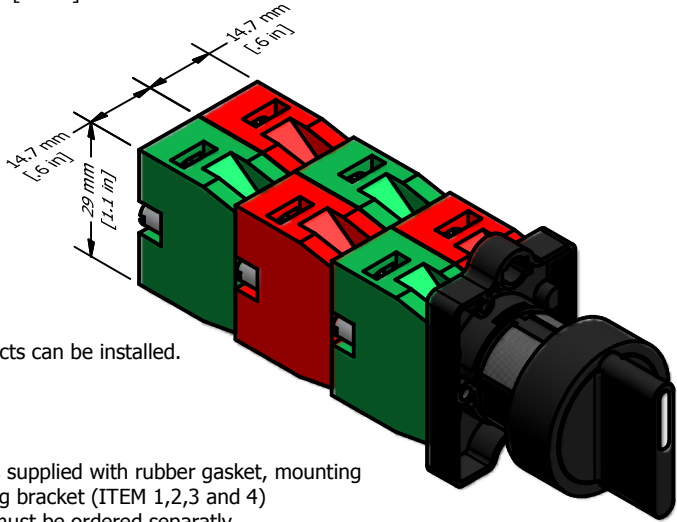
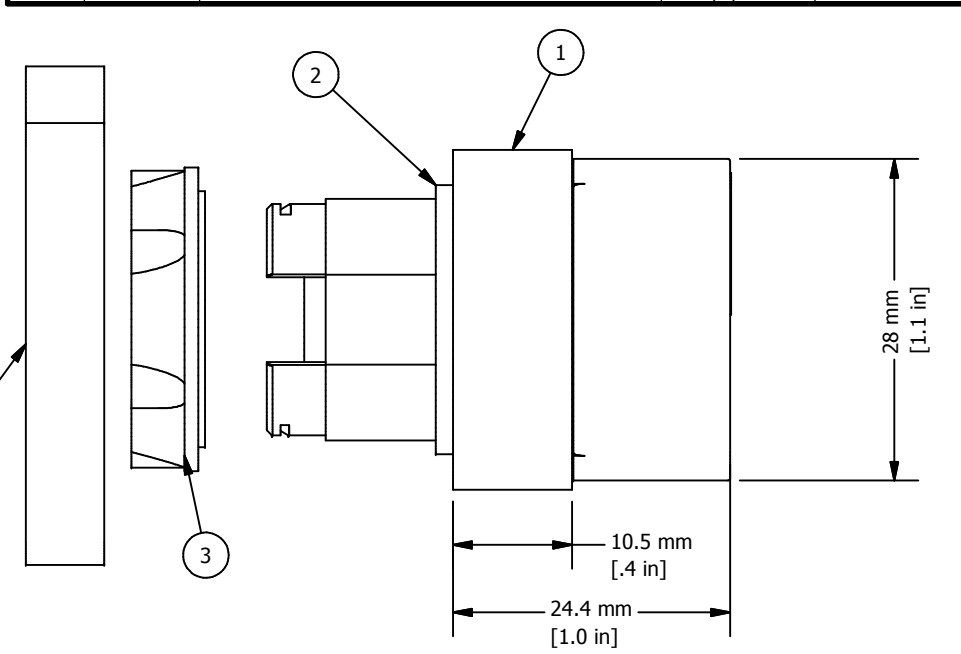
3 POSITION SELECTOR SWITCH CONTACT BLOCK OPERATION GUIDE

REV	CH.NO.	DESCRIPTION	DATE	REVISED BY
-	-	ORIGINAL DESIGN	11/5/2007	PHILIPP E.



			CONTACT BLOCK GUIDE
↺	↻	↻	
x	o	o	1 NO (left)
o	x	o	2 NC in series (side x side)
o	o	x	1 NO (right)
x	x	o	1 NC (right)
o	x	x	1 NC (left)
x	o	x	2 NO in parallel (side x side)

(Left or right as seen from front of operator)



Up to **six** switch contacts can be installed.

- * = Selector Switch is supplied with rubber gasket, mounting nut and mounting bracket (ITEM 1,2,3 and 4)
- ** = Switch Contacts must be ordered separately

ITEM	DESCRIPTION	CAT. NO.	COLOR	Type	MIN. QTY.	MAX. QTY.
1*	Selector Switch	P2AS2-1	Black	Maintained/2 Position	1	1
		P2AS2-3	Black	Maintained/3 Position	1	1
		P2AS2-4	Black	Momentary/3 Position	1	1
2*	Rubber Gasket	2PRG1	Black	-	1	1
3*	Mounting Nut	P2MN	Black	-	1	1
4*	Mounting Bracket	P2BRK	Black	-	1	1
5	Panel	-	-	-	-	-
6**	Switch Contacts	S1	Green	-	1	6
		S2	Red	-	1	6
		S3	Green/Gray	-	1	6
		S4	Red/Gray	-	1	6

UNLESS OTHERWISE SPECIFIED:
 • ALL DIMENSIONS ARE IN MILLIMETERS
 • THIRD ANGLE PROJECTION

TOLERANCE	
XX	±1 mm
XX.X	±0.5 mm
XX.XX	±0.2 mm
ALL	- mm

This Drawing is the property of

 35 Royal Road
 Flemington, NJ 08822-6000
 (908) 806-9400
 Fax (908) 806-9490

AND IS A CONFIDENTIAL DISCLOSURE LENT WITHOUT CONSIDERATION OTHER THAN THE BORROWER'S AGREEMENT THAT IT SHALL NOT BE REPRODUCED, COPIED, LENT OR DISPOSED OF DIRECTLY OR INDIRECTLY NOR USED FOR ANY PURPOSE OTHER THAN THAT FOR WHICH IT IS SPECIFICALLY FURNISHED.

TITLE **22 mm Thermoplastic Enclosure Selector Switch P2AS2-x (x=type)**

DRAWN BY: Philipp Ernstberger	11/5/2007	DRAWING NO.: 1PB-P2AS2-x	REV.: -
CHECKED BY: Laszlo Gyorgypal	11/5/2007	SCALE: -	SHEET: 1 OF: 1
RELEASED BY: Laszlo Gyorgypal	11/5/2007		

X-ON Electronics

Largest Supplier of Electrical and Electronic Components

Click to view similar products for [Switch Actuators](#) category:

Click to view products by [Altech](#) manufacturer:

Other Similar products are found below :

[LW1B-A0L](#) [LW1B-M0](#) [680-4000-00](#) [704.012.618](#) [704.411.018I](#) [704.412.0](#) [704.633.1](#) [704.730.1](#) [704.733.0](#) [84-1221.7](#) [862.8102](#) [G6083](#)
[9PA24](#) [A0107X](#) [A019307](#) [ADC-418G](#) [12MA7](#) [ASDHYY-B](#) [HW1F-3G](#) [HW1M-L2222](#) [HW4S-31L](#) [200-.704-00](#) [JS-10008](#) [JS-10083](#) [JS-10118](#) [JS-10133](#) [JS-10277](#) [JS-10389](#) [JS-150](#) [JS-552](#) [JS-555](#) [JS-68](#) [JS-6-B](#) [JS-91](#) [JS-94](#) [22-211.011](#) [9001KXSDC](#) [92-458.500](#) [SAPT654133](#)
[2PA3](#) [SW53AA2](#) [302561](#) [LW2L-A0](#) [3E-10.4](#) [3E-12.0](#) [468-10243-001](#) [51-030.005](#) [JM-13](#) [JS-10120](#) [JS-138-B](#)