



# PS-UPS40

## Specifications



### Features:

- Battery controller for DIN Rail UPS system
- Parallel connection to DC BUS
- Suitable for 24V system up to 40A
- Installed on DIN Rail TS35/ 7.5 or 15
- Built-in battery test function
- Battery polarity protection
- Relay contact signal output and LED indicator for DC BUS OK,
- Battery fail, and battery discharge
- Cooling by free air convection
- 3 year warranty

### DC INPUT/ DC BUS

### BATTERY IN / OUTPUT

### FUNCTION

### ENVIRONMENT

### SAFETY & EMC

### OTHERS

### Cat. No. PS-UPS40

DC VOLTAGE (Typ.)  
RATED CURRENT

24 ~ 29V  
40A

VOLTAGE RANGE (Typ.)  
CURRENT RANGE  
CHARGE CURRENT (Typ.)  
EXTERNAL BATTERY (Typ.)

21 ~ 29V  
0 ~ 40A  
2A  
4 / 7 / 12AH / 24V

RELAY CONTACT RATING (max.)  
DC BUS OK

30VDC, 1A  
Relay contact: Short when DC voltage between 21 ~ 29V ( $\pm 3\%$ ), relay contacts  
LED (Green): DC BUS OK: light; DC BUS fail: dark

BATTERY FAIL

Relay contact: Short when battery failure is observed through the battery test function, relay contacts  
LED (Red): Battery over- discharge warning or battery broken: light; Battery OK: dark  
Every 25 seconds, unit will send out test signal through Battery Fail relay contact and LED indicator once the battery is fail.

BATTERY DISCHARGE

Relay contact: Short when battery in discharge condition, relay contacts  
LED (Yellow): Battery discharging: light; Battery is not discharging or discharging current  $\leq 2.0A$ : dark

WORKING TEMP.  
WORKING HUMIDITY  
STORAGE TEMP., HUMIDITY  
VIBRATION  
MOUNTING

-20 ~ +70°C  
20 ~ 90% RH  
-20 ~ +85°C, 10 ~ 95% RH  
10 ~ 500Hz, 2G 10min./1cycle, 60 min. each long X,Y, Z axes  
Compliance to IEC60068-2-6

WITHSTAND VOLTAGE  
ISOLATION RESISTANCE  
EMI CONDUCTION & RADIATION  
EMS IMMUNITY

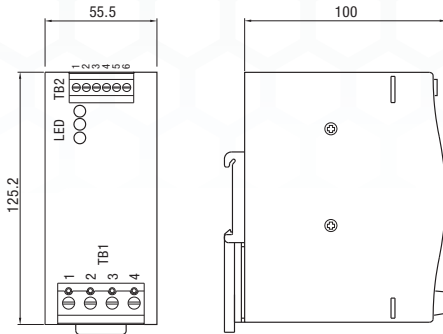
Terminal- Chassis: 0.5KVAC, Relay Contacts- Terminal: 0.5KVAC  
Terminal- Chassis:  $\geq 100M$  Ohms / 500VDC (25°C; 70% RH)  
Compliance to EN55022 (CISPR22) Class B  
Compliance to EN61000-4-2,3,4,5,6,8; ENV50204; heavy industry level; criteria A

MTBF  
DIMENSION  
PACKING

161.9Khrs min. MIL-HDBK-217K (25°C)  
55.5x125.2x100mm (WxHxD)  
0.55Kg; 20pcs / 12Kg / 1.29CUFT

All parameters NOT specially mentioned are measured at rated load and 25°C of ambient temperature.

**Mechanical Specification**



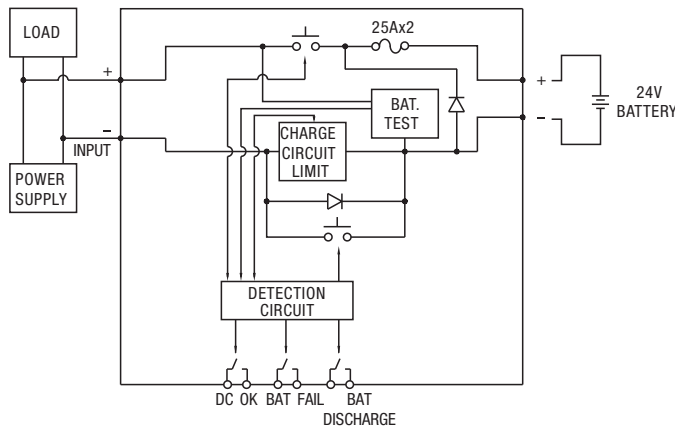
Terminal Pin. No Assignment (TB1)

Pin No.	Assignment
1	BATTERY INPUT +
2	BATTERY INPUT -
3	DC INPUT -
4	DC INPUT +

Terminal Pin. No Assignment (TB2)

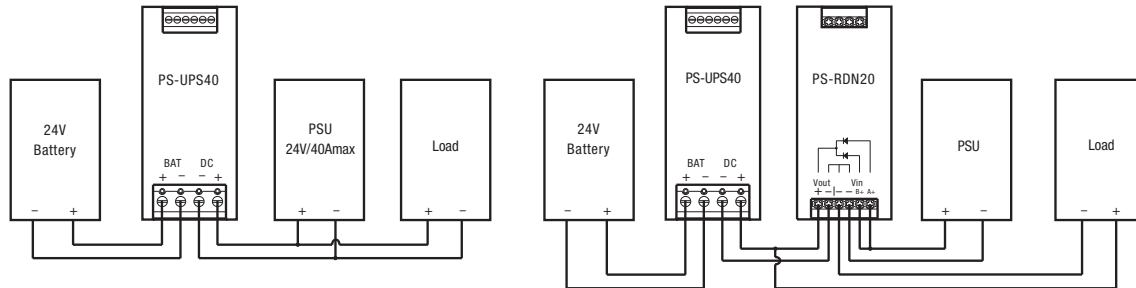
Pin No.	Assignment
1	BAT DISC 1
2	BAT DISC 2
3	BAT OK 1
4	BAT OK 2
5	DC OK 1
6	DC OK 2

**Block Diagram**

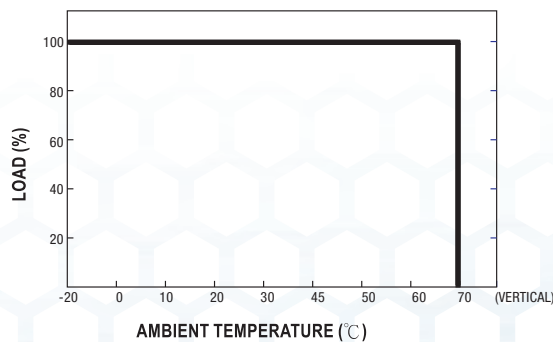


**Applications**

1. Backup connection for AC interruption
2. Combine redundancy module (PS-RDN20) to back up AC interruption or failure of PSU



**Derating Curve**



Note: All dimensions are in millimeters, to convert to inches multiply by 0.03937.

PSC Class 2 Series  
Compact Housing

PSA Flex Series  
1 Phase

PSB Flex Series  
2 & 3 Phase

PS-S Slim Series  
Plastic Housing

PS Low Profile Series  
Plastic Housing

PS Industrial Series  
1, 2 & 3 Phase

PS C & W Series  
1 and 2 Phase

CBI Type  
DC UPS Systems

CB Type  
Battery Chargers

Accessories

## X-ON Electronics

Largest Supplier of Electrical and Electronic Components

*Click to view similar products for [DIN Rail Power Supplies](#) category:*

*Click to view products by [Altech](#) manufacturer:*

Other Similar products are found below :

[PS-S6024](#) [DVP01PU-S](#) [DVP06AD-S](#) [DVP06XA-S](#) [DVDPNET-SL](#) [DVPDT01-S](#) [DVPPS01](#) [PS-6012](#) [PS9Z-5R1G](#) [PS-C24024](#)  
[DVP08ST11N](#) [DVPACAB530](#) [DVPCOPM-SL](#) [DVPEN01-SL](#) [DVPPF01-S](#) [ADNB008-48-1PM-C](#) [ADNB017-24-1PM-C](#) [ADNB040-24-1PM-C](#) [ADNB050-12-1PM-C](#) [ADNB040-15-1PM-C](#) [ADNB034-12-1PM-C](#) [SS14011524](#) [S8TS-06024-E1](#) [PS-UPS40](#) [PSC-6024](#) [PSD-A60W12](#) [96PS-A120WDIN](#) [PSD-A60W48](#) [PSD-A40W12](#) [PSD-A40W24](#) [SMP21-L20-DC24V-5A](#) [PSD-A40W48](#) [S8T-DCBU-02](#) [PS-S4024](#)  
[NTPS-24-1.3](#) [PST-96024](#) [S82YVSC4P](#) [PS-S4005](#) [PS-10024](#) [PS-S10024](#) [PS-C12024](#) [PSP-480S24](#) [PS-C48024](#) [PSC-2024](#) [PSC-4012](#) [PSC-4015](#) [PSC-4048](#) [PSC-9615](#) [PSC-15124](#) [PSC-15148](#)