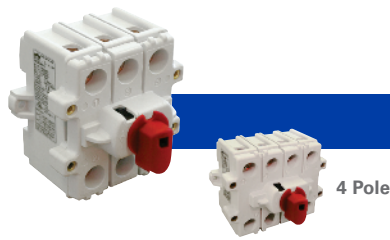


**Extended/Direct Handle Motor Disconnect Switch**

The VKA...N series can be used with extended and direct handles (see page 6-11 for details).



Catalog Number	VKA380N	VKA3100N	VKA3125N	VKA3160N
No. of Poles	3 (4 pole - VKA480N)	3 (4 pole - VKA4100N)	3 (4 pole - VKA4125N)	3 (4 pole - VKA4160N)
General Purpose Current	80 A	100 A	125 A	150 A
Maximum Voltage	600V AC	600V AC	600V AC	600V AC
Motor FLA @ 480V AC	-	-	-	-
Motor FLA @ 600V AC	47 A	54 A	68 A	83 A

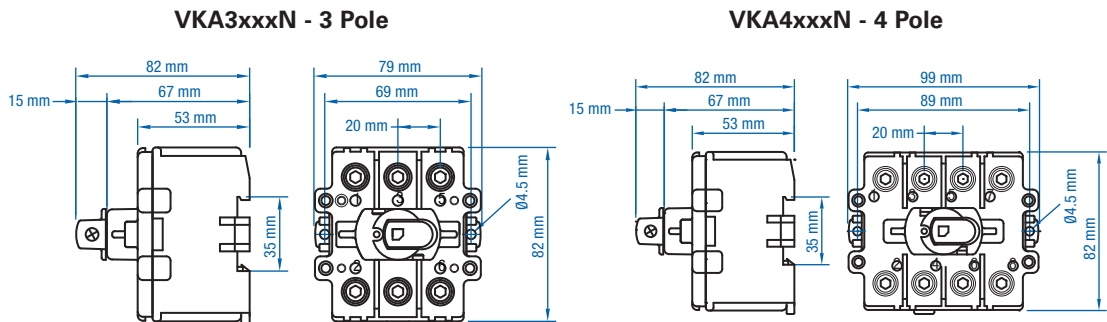
Horsepower Rating/HP	VKA3xxxN - 3 Pole		VKA4xxxN - 4 Pole	
	1 Phase	3 Phase	1 Phase	3 Phase
110-120V AC	3	7.5	3	7.5
200V AC	7.5	10	7.5	15
208V AC	7.5	15	7.5	15
220-240V AC	7.5	15	10	20
265V AC	10	20	10	20
277V AC	10	20	10	20
380-415V AC	15	25	15	30
440-480V AC	20	30	20	40
550-600V AC	25	40	30	50

Short Circuit Withstand Rating at 600 V with Max. Fuse Size/Class:	VKA3xxxN - 3 Pole	VKA4xxxN - 4 Pole
	10 kA	10 kA
K5	150 A	150 A
RK5	150 A	150 A
RK1	-	-
J	200 A	200 A

Terminal Size Acceptability	VKA3xxxN - 3 Pole	VKA4xxxN - 4 Pole
(Cu Conductors only, 75 °C)	8-1/0 AWG	8-1/0 AWG
Terminal Torque	50 lb. in. (5.6 Nm)	50 lb. in. (5.6 Nm)
Screw Head Type	5 mm Allen Key	5 mm Allen Key

**Dimensions**

(to convert to inches multiply by 0.03937)



Weight	VKA3xxxN - 3 Pole	VKA4xxxN - 4 Pole
	0.480 kg (1.058 lb.) (3 pole) 0.620 kg (1.367 lb.) (4 pole)	0.480 kg (1.058 lb.) (3 pole) 0.620 kg (1.367 lb.) (4 pole)

**Suitable Accessories**

**Extended Handle Applications (Door Interlock Mechanism)**

Shaft	VKA3xxxN - 3 Pole	VKA4xxxN - 4 Pole
	L(1,2,3)00AD11-ST	L(1,2,3)00AD11-ST
Handles	LK10 (Y/R) UL, LK11 (Y/R) U	LK10 (Y/R) UL, LK11 (Y/R) U
Auxiliary Switch	VKA1.V, VKA2.V	VKA1.V, VKA2.V
Fuse Holder	-	-

**Direct Handle Applications**

Handle for 3 & 4 Pole	VKA3xxxN - 3 Pole	VKA4xxxN - 4 Pole
	K/VKA3-4P (Y/R)	K/VKA3-4P (Y/R)
Door Mounting Kits	OKA/VKA x	OKA/VKA x

## X-ON Electronics

Largest Supplier of Electrical and Electronic Components

*Click to view similar products for [Disconnect Switches](#) category:*

*Click to view products by [Altech](#) manufacturer:*

Other Similar products are found below :

[11330-80RA](#) [BD1-1A1/CAP](#) [D10S2](#) [GS2EU3N](#) [BDA10-RA](#) [KU416N](#) [75920](#) [75920-05](#) [GS1DDU3](#) [KU316N](#) [KU325N](#) [KU340N](#) [KU363N](#)  
[VKA3125N](#) [VKA380N](#) [VKA4125N](#) [ND-1260-2CCH](#) [TP158HC](#) [KU463N](#) [KUE325](#) [KUE340](#) [08094500](#) [08097161](#) [75912](#) [75921-10](#)  
[GS1AN11](#) [GS1DU3](#) [GS2GU3N](#) [GS2MU3N](#) [LK4DU3CN](#) [35-210-051-R-900](#) [TP15900-4](#) [VKA3160N](#)