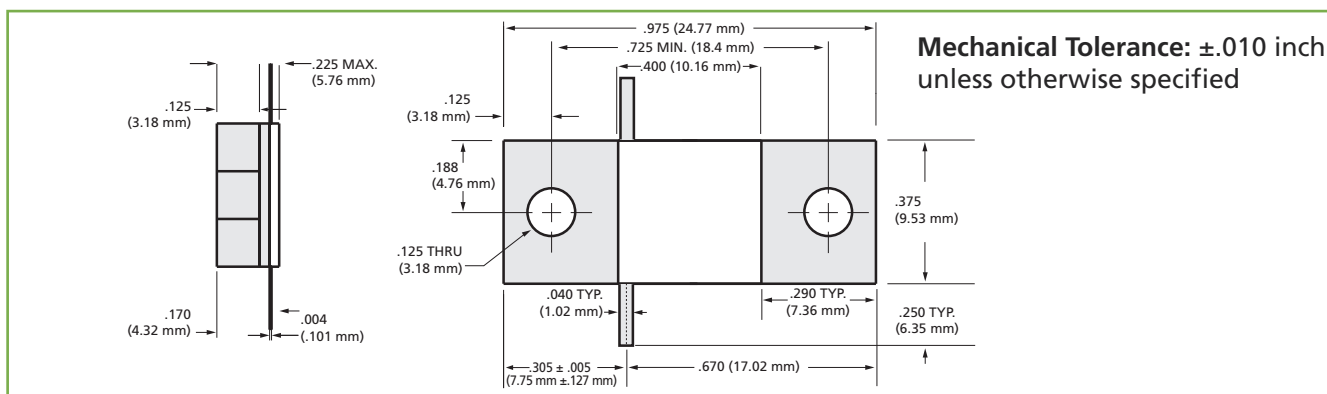
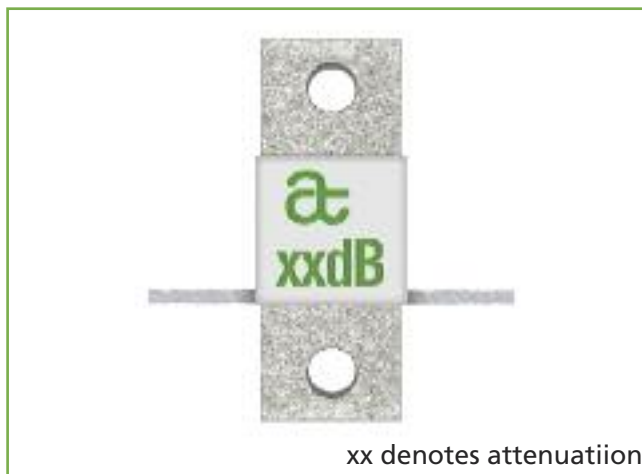


## High Power Flange Mount Attenuators

### Style FA1

#### General Specifications

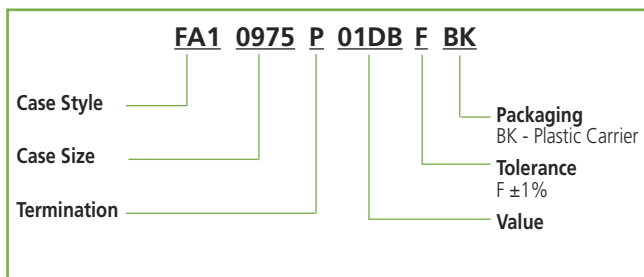
- Frequency Range: DC to 3 GHz
- Input Power\*: 150 Watts
- Operating Temp Range: -55 to +150°C
- Attenuation Stability\*\*: 0.0001 dB/dB/°C, Max.
- Mounting Flange: Copper, Pd over Ni; other platings available
- Resistive Elements: Tantalum Nitride
- Substrate Material: Aluminum Nitride
- Tabs: 99.99% Pure Silver, .004 inches thick, Cover: Alumina
- RoHS Compliant
- Reliability: MIL-PRF-55342



ATC Part Number	Nominal Attenuation (dB)	Frequency Sensitivity (dB, max.)	Maximum Deviation from Nominal (dB)	VSWR (max.)
FA10975P01DBFBK	1	± 0.25	+0.45 / -0.15	1.55:1
FA10975P02DBFBK	2	±0.30	+0.50 / -0.30	1.50:1
FA10975P03DBFBK	3	± 0.30	+0.60 / -0.30	1.50:1
FA10975P06DBFBK	6	± 0.45	+0.80 / -0.20	1.40:1
FA10975P09DBFBK	9	± 0.35	+0.70 / -0.20	1.30:1
FA10975P10DBFBK	10	± 0.20	+0.40 / -0.30	1.40:1
FA10975P17DBFBK	17	± 1.00	+1.00 / -1.20	1.30:1
FA10975P20DBFBK	20	± 1.00	+1.00 / -1.20	1.30:1
FA10975P30DBFBK	30	± 1.05	+1.75 / -1.20	1.25:1

For Attenuator Power Handling vs. Mounting Surface Temperature, see following page.

### ATC Flange Mount Attenuators Part Number Code



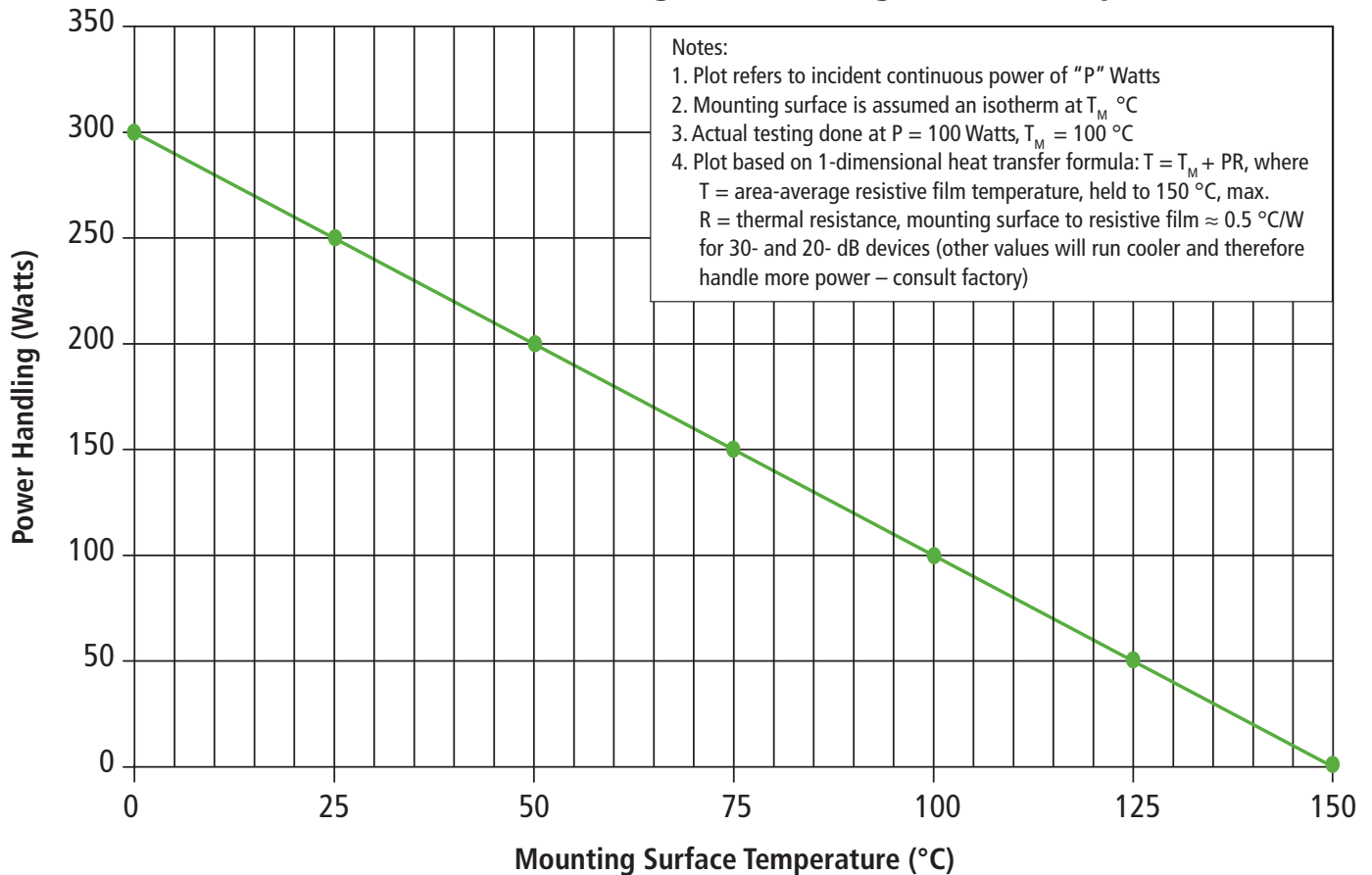
A M E R I C A N T E C H N I C A L C E R A M I C S

ATC North America  
sales@atceramics.com

ATC Europe  
saleseur@atceramics.com

ATC Asia  
sales@atceramics-asia.com

## Attenuator Power Handling vs. Mounting Surface Temperature



\* Test Condition: With mounting surface temperature = 75 °C, max. (see plot above). Actual test conditions are as follows: Flange attached to a large copper carrier whose surface, directly under the flange center, is held at 100 °C; power applied = 100 Watts. Specification: The attenuation shall change no more that 0.2 dB during and after a 100-hr. Burn-in per MIL-PRF-55342.

\*\* Attenuation vs. frequency as a function of temperature, -55°C to +125°C

Sales of ATC products are subject to the terms and conditions contained in American Technical Ceramics Corp. Terms and Conditions of Sale (ATC document #001-992 Rev. B 12/05). Copies of these terms and conditions will be provided upon request. They may also be viewed on ATC's website at [www.atceramics.com/productfinder/default.asp](http://www.atceramics.com/productfinder/default.asp). Click on the link for Terms and Conditions of Sale.

ATC has made every effort to have this information as accurate as possible. However, no responsibility is assumed by ATC for its use, nor for any infringements of rights of third parties which may result from its use. ATC reserves the right to revise the content or modify its product without prior notice.

© 2012 American Technical Ceramics Corp. All Rights Reserved.

Excerpt from ATC # 001-944; Rev. U, 11/14

A M E R I C A N T E C H N I C A L C E R A M I C S

ATC North America  
sales@atceramics.com

ATC Europe  
saleseur@atceramics.com

ATC Asia  
sales@atceramics-asia.com

www.atceramics.com

## X-ON Electronics

Largest Supplier of Electrical and Electronic Components

*Click to view similar products for [american technical ceramics manufacturer](#):*

Other Similar products are found below :

[7443AR0X5FRX](#) [76402600100](#) [DK0072T](#) [ARA-120-ACA](#) [AT8N](#) [PBE-120/208-ASE](#) [304G400T00XX](#) [305C017A10PX](#) [305C019A10PX](#)  
[305D011B10PX](#) [305D166C10PX](#) [ARA-240-ADA](#) [305C004A10PX](#) [305E-015-A-1-0-PX](#) [305E-049-C-1-0-PX](#) [319B349Q1X](#)  
[331B357Q30XX](#) [353A351A10PX](#) [365-590-03-00](#) [423A300F20XX](#) [506WLSM3R80KT182T](#) [322B-113-A-2-2-CS](#) [339B-200-E-2-X](#) [425A-](#)  
[300-Q-10-X-X](#) [425A-300-Q-20-X-D](#) [7062AFR4X4NLX](#) [DK0015](#) [7650-715-01-00](#) [7691ASL04DS2X](#) [800A110JT250XT](#) [CMO-120-ASE-20](#)  
[SLM-575-ASE](#) [100A150JT150X](#) [0000-825-85-00](#) [DK0009](#) [304E-004-A-00-PX](#) [304GX-004-Q-00-XX](#) [305D006A20PX](#) [305D021A10PX](#)  
[305D168D10PX](#) [305E-168-C-1-0-PX](#) [324C10G1BL1A01X](#) [329A-361-Q-1-X](#) [405A-100-E-2-X](#) [405A-500-E-2-X](#) [409A-500-E-2-X](#)  
[412A100F4X](#) [422A-100-E-1-5-X](#) [313A014N1X](#) [378A100Q60RX](#)