

[Home](#)[Inrush Current](#)[Sensing Thermistor](#)[Tools](#)[About](#)[Video Library](#)[Blog](#)[Contact Us](#)[Sensing Thermistor](#) » NTC Thermistor-Probe Assembly with Ring Lug

NTC Thermistor-Probe Assembly with Ring Lug

PANR Series: NTC Thermistor Probe Assemblies for Temperature Sensing and Measurement

Our NTC thermistor probe assemblies are manufactured from a specially formulated metal oxide ceramic material that is extremely accurate in sensing temperature. Available in a variety of housings with custom design capabilities, PANR probe assemblies are suited best for transformers, electric motors, air sensors, and HVAC systems.

- Ring lug terminals enable easy and secure surface mounting
- Completely customizable; offer a variety of housings and lead wire gauges
- Fast response times
- Provide a high-stability replacement for PT100 thermocouples; experience minimal drift from their initial electrical values

[Request Free Samples](#)[Have A Question?](#)

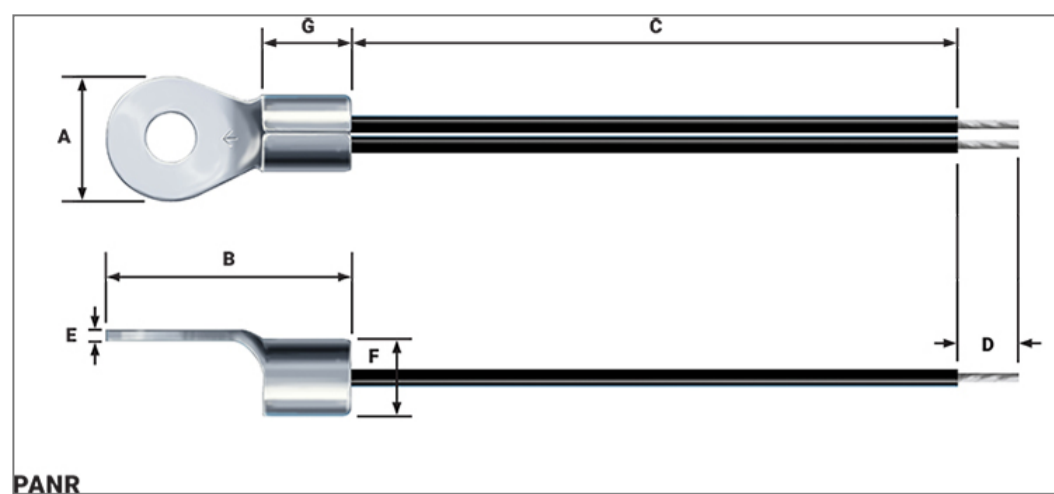
Available at:



Key Specifications:

- Isolation voltage to 5 kV
- Resistance at 25 °C from 10 kΩ to 250 kΩ
- Beta from 3,000 K to 4,500 K
- Dissipation constant of 3 mW/°C

- Thermal time constant of 40.0 s
- Max. power of 125 mW
- Mounting hole diameter of 3.7 mm or 4.4 mm



PANR	A1	Stud	B	C	d	E	F	G
-	9.5±0.5mm	#6	18.6±0.5mm	152.4±7.0mm	5.0±0.5mm	1.0±0.5mm	5.5±0.5mm	6.5±0.5mm

PANR Electrical Table

Show entries

Search:

Part Number	R @ 25°C (kΩ)	Beta (K)	R/T Curve	Dissipation Constant	Thermal Time Constant	Max Power	Digi-Key	Mouser
PANR501350	0.5	3,500	M	3	40.0	125		995-PANR501350
PANR102350	1.0	3,500	M	3	40.0	125	570-1413-ND	955-PANR102350
PANR202395	2.0	3,950	L	3	40.0	125		995-PANR202395
PANR302395	3.0	3,950	L	3	40.0	125	570-1416-ND	995-PANR302395
PANR502395	5.0	3,950	L	3	40.0	125		955-PANR502395
PANR103395	10.0	3,950	L	3	40.0	125	570-1402-ND	995-PANR103395
PANR253411	25.0	4,111	R	3	40.0	125		955-PANR253411
PANR503411	50.0	4,111	R	3	40.0	125		955-PANR503411
PANR104450	100.0	4,500	S	3	40.0	125	570-1414-ND	995-PANR104450
PANR254450	250.0	4,500	S	3	40.0	125	570-1415-ND	955-PANR254450
PANR03395-275							PANR103395-275-ND	
PANR103395-198							PANR103395-198-ND	
PANR 103395-408							570-1066-ND	

Part Number	R @ 25°C (kΩ)	Beta (K)	R/T Curve	Dissipation Constant	Thermal Time Constant	Max Power	Digi-Key	Mouser
PANR503410								995-PANR503410
PANR253410								995-PANR253410
PANR103395-342								955-PANR103395-342

Showing 1 to 16 of 16 entries

[Previous](#) [Next](#)

Get Probe Assembly samples



FREE SAMPLES - ORDER HERE

Thermistors

[Sensing Thermistor](#)

[What is a Thermistor](#)

[How to Select an NTC Thermistor](#)

[Thermistor Sensor Applications](#)

[What Is An NTC Thermistor](#)

[NTC Thermistors – Temperature Measurement With A Wheatstone Bridge](#)

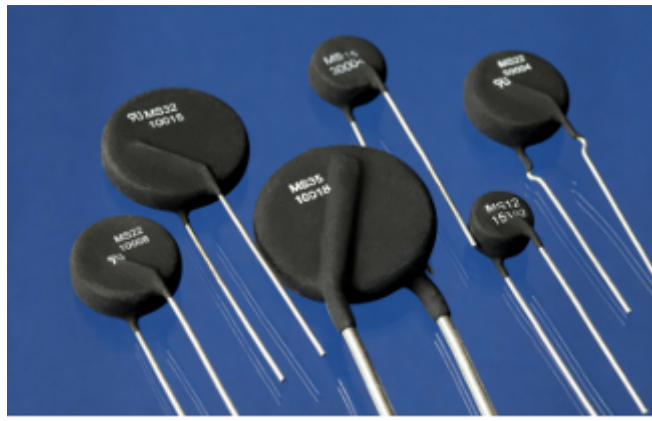
[The Secret To Successful Thermistor Beta Calculations](#)

[Thermistors used to Measure Temperature in Lake Tahoe](#)

[Temperature Sensor for Control and Compensation Circuits](#)

[4 Most Common Types of Temperature Sensor](#)

[Temperature Sensing Application](#)



HAVE A QUESTION?



X-ON Electronics

Largest Supplier of Electrical and Electronic Components

Click to view similar products for [Industrial Temperature Sensors](#) category:

Click to view products by [Ametherm](#) manufacturer:

Other Similar products are found below :

[590-32AC34-103-WRI](#) [590-59CN02-103](#) [G9864ST22F0](#) [HEL-705-U-0-12-C1](#) [HEL-736-U-2-36](#) [HEL-717-U-0-24-00](#) [519-39AW09-245](#)
[519-39CH01-295](#) [535-32AB36-202](#) [535-34AE08-303](#) [512-32AQ01-503](#) [521-33AG04-303](#) [521-53BR01-503](#) [E52P6DY4M](#) [535-34AE09-222](#)
[590-32AC34-103](#) [590-32AD05-103](#) [HEL-705-U-0-36-00](#) [E52-CA6D-N 4M](#) [E52-P6DY 2M](#) [E52-P20C-N D=8](#) [E52-THE5A 100-200 2M](#)
[HRTS-5760-B-T-0-18](#) [6655-71990001](#) [LTPCTGA20MBSIBX01](#) [LTPCTAA20MDSIEX01](#) [BB-HS-104T2505402](#) [NCP81255MNTXG](#) [HEL-](#)
[707-T-1-24-00](#) [HEL-716-U-0-24-00](#) [USW2247](#) [R-11614-1](#) [RP103ST22P2](#) [R-10331-3F6](#) [E52-P20AY-D32 4M](#) [B57045K0222K000](#)
[B57045K0154K000](#) [PPG102A6](#) [R-7119](#) [R-8949-34](#) [BB-WTJ-10-36-TT](#) [20006233-00](#) [USW2889](#) [E52-P35C-ND3.2](#) [IWTTP100A](#) [NB-](#)
[PTCO-142](#) [B57045K0682K000](#) [R-10224-16](#) [R-1630](#) [R-8204](#)