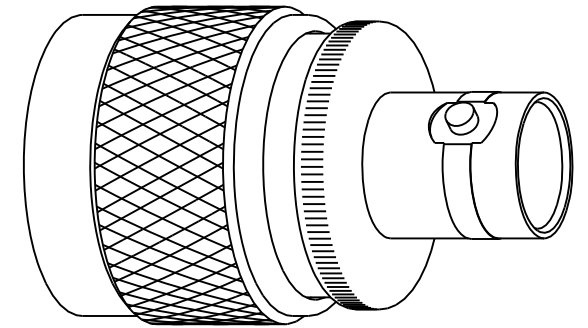


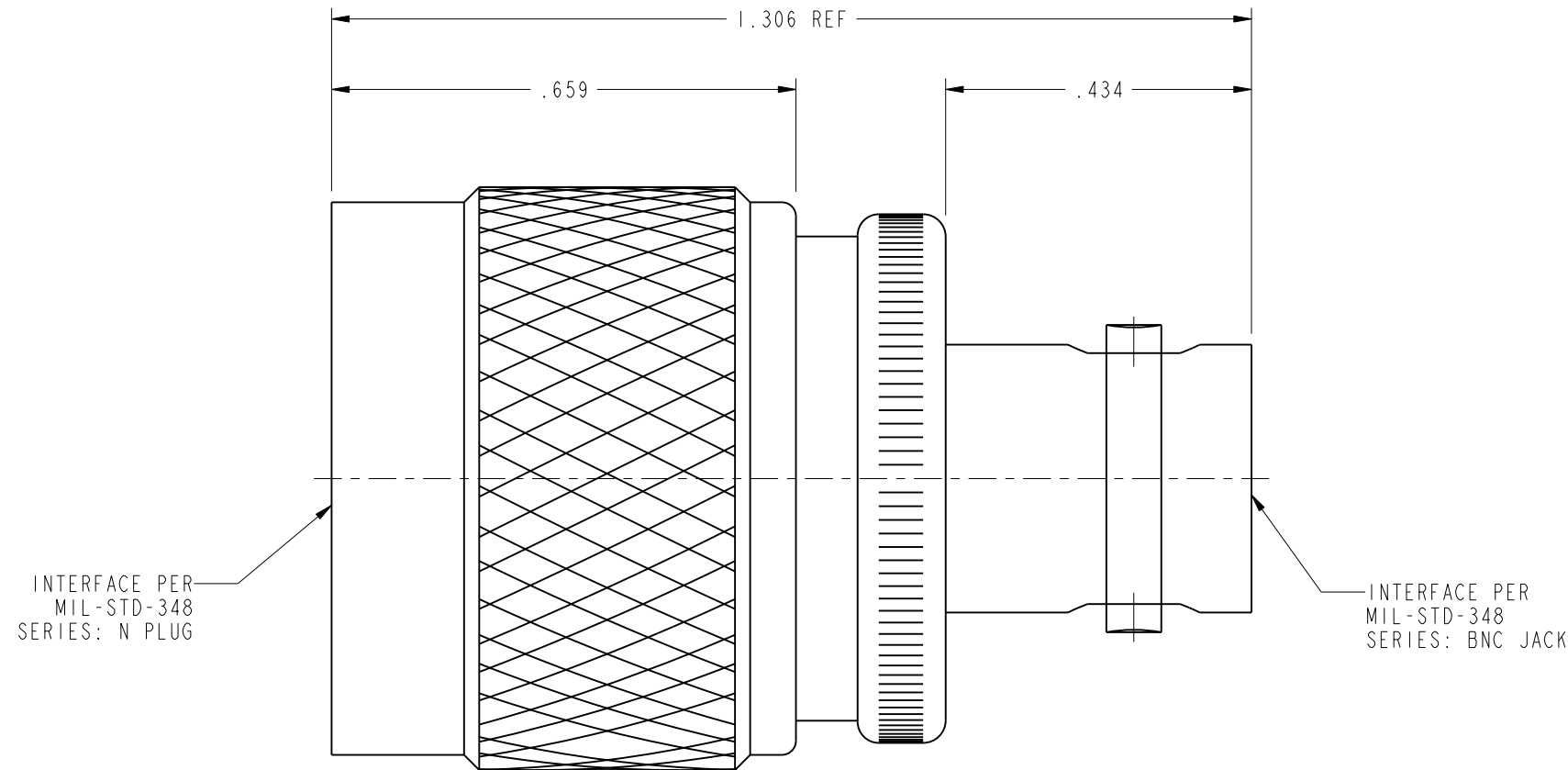
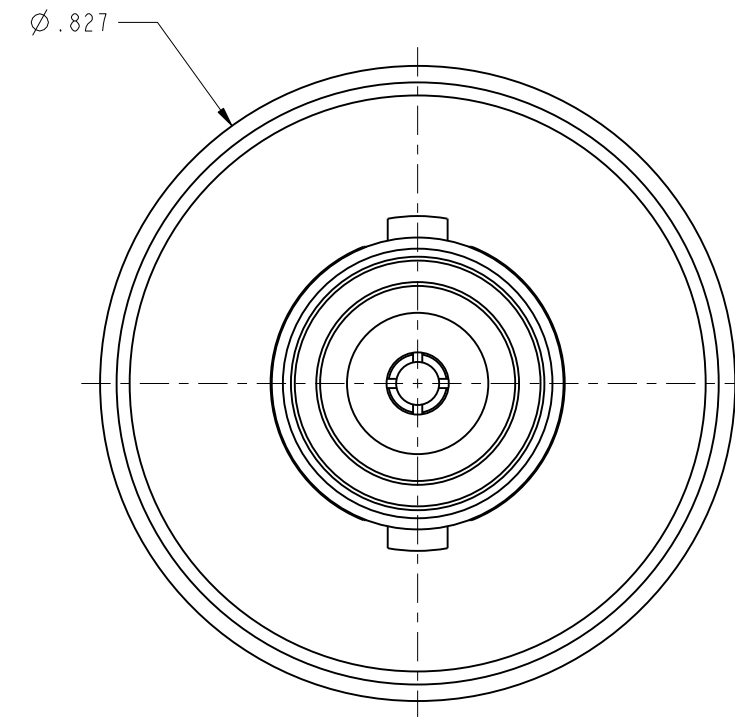
NOTES:

1. MATERIALS AND FINISHES:
 BODY, C-NUT - BRASS ASTRO PLATING
 CONTACT - BERYLLIUM COPPER, SILVER PLATING
 INSULATOR - PTFE
2. ELECTRICAL:
 A. IMPEDANCE: 50 OHM
 B. DIELECTRIC WITHSTANDING VOLTAGE: 1000 VRMS, MIN.
3. MECHANICAL:
 A. DURABILITY: 500 CYCLES MIN.
 B. TEMPERATURE RANGE: -65° C TO +165° C
4. PACKAGING:
 A. QUANTITY: SINGLE PACK
 B. MARKING: BAG TO BE MARKED
 "AMPHENOL, 31-216-RFX, AND DATE CODE"

31-216-RFX		REVISIONS			
DRAWING NO.	REV	DESCRIPTION	DATE	ECO	APPR
THIRD ANGLE PROJ.	--	RELEASE TO MFG.	--	--	--
	D	REDRAWN IN PRO-E, ADDED SHEET 2	8/11/09	47526	NMV



SCALE 2.000



CUSTOMER OUTLINE DRAWING
 ALL OTHER SHEETS ARE FOR INTERNAL USE ONLY

UNLESS OTHERWISE SPECIFIED, DIMENSIONS ARE IN INCHES AND TOLERANCES ARE: 2 PLACE DECIMAL ±.015 (0,381 mm) 3 PLACE DECIMAL ±.005 (0,127 mm) ANGLES ± 1°	MATERIAL	DRAWN NISCHIT MV	DATE 19-Jun-09	TITLE N PLUG TO BNC JACK ADAPTOR UG-201A/U	Amphenol RF Danbury, CT, USA Tainan, Taiwan Shenzhen, China www.amphenolrf.com		
	REFERENCE EAR 962370-0	ENGINEER D ROYCE	DATE 4/27/91			SCALE: 4.0:1 SHEET 2 OF 2	
NOTICE - These drawings, specifications, or other data (1) are, and remain the property of Amphenol Corp. (2) must be returned upon request; and (3) are confidential and not to be disclosed to any person other than those to whom they are given by Amphenol Corp. The furnishing of these drawings, specifications, or other data by Amphenol Corp., or to any other person to anyone for any purpose is not to be regarded by implication or otherwise in any manner licensing, granting rights or permitting such holder or any other person to manufacture, use or sell any product, process or design, patented or otherwise, that may in any way be related to or disclosed by said drawings, specifications, or other data.		APPROVED K. CAPOZZI	DATE 8/11/09	CODE ID 74868	DWG SIZE B	DRAWING NO. 31-216-RFX	REV D
			CAD FILE I:N/31-216-RFX				

X-ON Electronics

Largest Supplier of Electrical and Electronic Components

Click to view similar products for [RF Adapters - Between Series](#) category:

Click to view products by [Amphenol](#) manufacturer:

Other Similar products are found below :

[5945-9503-000](#) [ADPL75-A1-PL75](#) [BJ158FL](#) [242191](#) [ADBJ20-E2-BJ79](#) [ADBJ77-A1PL3155](#) [242190](#) [25-7580TP](#) [M55339/51-00001](#) [UAD95](#)
[242201RP](#) [29-3840P](#) [242235](#) [TM-FMEM-NDS-50](#) [AD-MQF-QCM-PM-2.5](#) [AD-QCF-QCF-SP-2.5](#) [AD-HQM-QCM-PM-2.5](#) [AD-MQM-](#)
[QCM-PM-2.5](#) [AD-HQF-QCM-PM-2.5](#) [CT2771](#) [CT2762](#) [CT3391](#) [CT3387](#) [SMPP\(FD\)-HKP](#) [ADBJ377-A1-PL74](#) [VA301](#) [ADT-2681-NM-](#)
[SMF-02](#) [000-78875](#) [ADUBJ20-E1-PL375](#) [AD-UBJ20-E1-BJ89](#) [CT2940](#) [CT3389](#) [000-2900](#) [R191630007](#) [1057377-1](#) [321-203-001 \(SMA-50-](#)
[R/2-RG58/W3.01\)](#) [321-350-001 \(SMA-50-R/2-RG316/N2.01\)](#) [RF2-02-T-02-50-G](#) [RF2-03-T-00-50-G](#) [4295](#) [1269#](#) [1270](#) [BNC\(75\)J-H.FLJ-](#)
[BPA-V\(40\)](#) [1296](#) [1297](#) [400PSM-CR](#) [1468](#) [02K118-K00S3](#) [53K164-S00N1](#) [53S164-K00N1](#)