

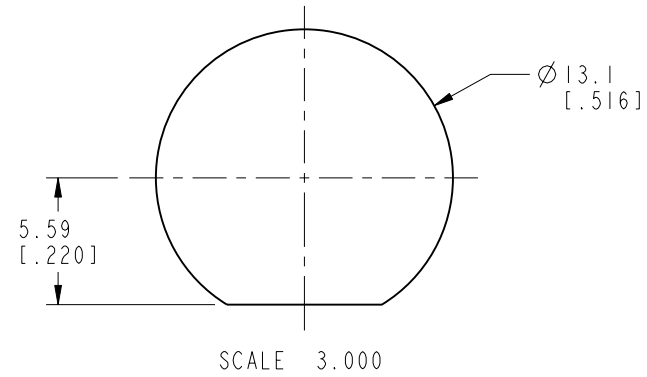
NOTES:

1. MATERIALS AND FINISHES:
 BODY - BRASS, NICKEL PLATING
 CONTACT - BERYLLIUM COPPER, SILVER PLATING
 INSULATOR - PTFE, NATURAL
2. ELECTRICAL:
 A. IMPEDANCE: 50 OHM
 B. DIELECTRIC WITHSTANDING VOLTAGE: 1500 VRMS, MIN.
3. MECHANICAL:
 A. DURABILITY: 500 CYCLES MIN.
 B. TEMPERATURE RANGE: -65° C TO +165° C
4. PACKAGING:
 A. QUANTITY: SINGLE PACK
 B. MARKING: BAG TO BE MARKED
 "AMPHENOL RF, 31-220H, AND DATE CODE"

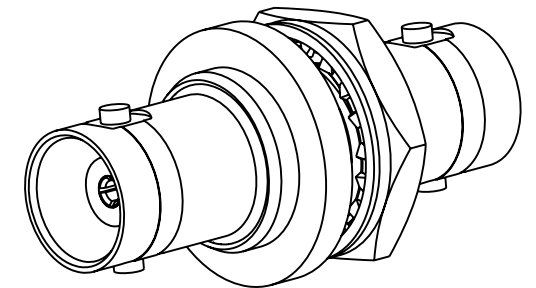
THIRD ANGLE PROJ.

REVISIONS

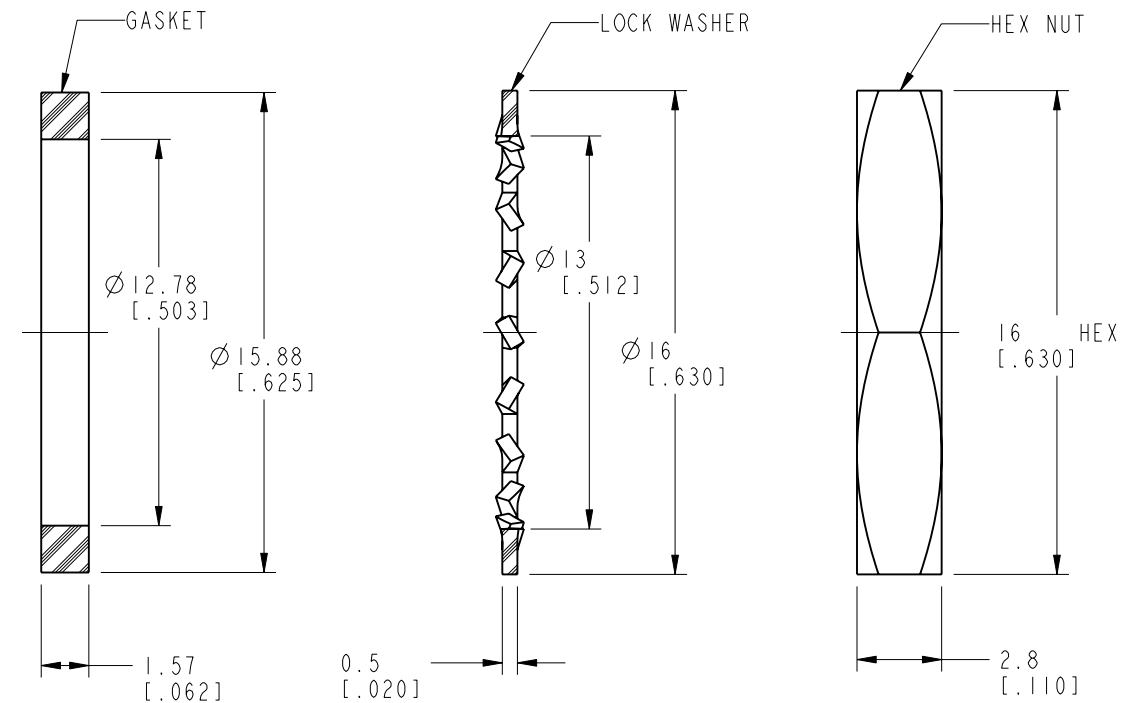
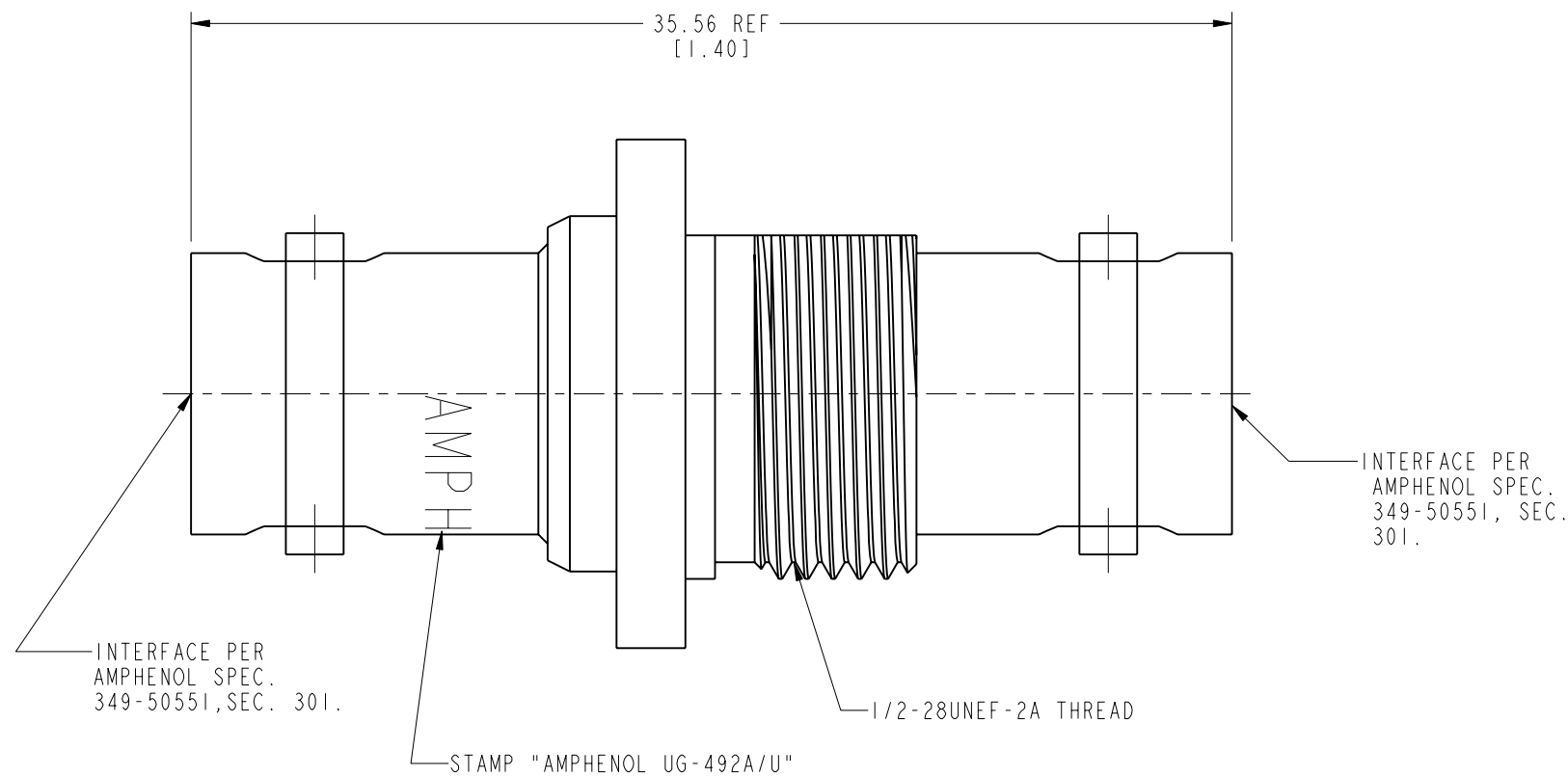
REV	DESCRIPTION	DATE	ECO	APPR
A	OFFICIAL ENG. RELEASE	7/3/90	37256	DR
T	UPDATE PLATE CODES, NOTE 10 WAS SOFT SOLDER	1/20/06	45402	DR
U	REDRAWN IN PRO-E/RD-DM11021001R3/	16-Feb-11	48491	RM
V	STAMP "AMPHENOL" WAS "74868"\RD-DM1120601R3	26-Dec-11	48844	SH



RECOMMENDED MOUNTING HOLE DIMENSIONS



SCALE 2.000



CUSTOMER OUTLINE DRAWING

ALL OTHER SHEETS ARE FOR INTERNAL USE ONLY

UNLESS OTHERWISE SPECIFIED, DIMENSIONS ARE IN METRIC AND TOLERANCES ARE:
 < 0.5mm ± 0.05mm 0.5 - 6mm ± 0.1mm 6 - 30mm ± 0.2mm 30 - 120mm ± 0.3mm ANGLES ± 1°

NOTICE - These drawings, specifications, or other data (1) are, and remain the property of Amphenol corp. (2) must be returned upon request; and (3) are confidential and not to be disclosed to any person other than those to whom they are given by Amphenol Corp. the furnishing of these drawings, specifications, or other data by Amphenol Corp., or to any other person to anyone for any purpose is not to be regarded by implication or otherwise in any manner licensing, granting rights to permitting such holder or any other person to manufacture, use or sell any product, process or design, patented or otherwise, that may in any way be related to or disclosed by said drawings, specifications, or other data.

MATERIAL	DRAWN R. MAO	DATE 12-Dec-11	TITLE BNC ADAPTOR PRESSURIZED UG-492A/U	Amphenol RF Danbury CT USA, Tainan, Taiwan, Shenzhen, China www.amphenolrf.com	
	ENGINEER D. ROYCE	DATE 03-Jul-90			
	REFERENCE EAR # AND	APPROVED S. HSIEH	DATE 12-Dec-11		DRAWING NO. 31-220H
	CONFIGURATION LEVEL:	CAD FILE	SCALE: 4.0:1.0		SHEET 2 OF 2
FINISH			DWG SIZE B	REV V	PART NO. 31-220H

X-ON Electronics

Largest Supplier of Electrical and Electronic Components

Click to view similar products for [RF Adapters - In Series](#) category:

Click to view products by [Amphenol](#) manufacturer:

Other Similar products are found below :

[5919-1503-000](#) [651A505](#) [7122-1502-000](#) [9030-9523-502](#) [932A505](#) [PN2C](#) [A0407000](#) [R114703000](#) [R114703000W](#) [R114753000](#)
[R125704000](#) [R125771001](#) [R127871001](#) [R141704000W](#) [R141710000W](#) [R141723161](#) [R141730000](#) [R141770000](#) [R142704000W](#)
[R142720000](#) [R142720700](#) [R143730700](#) [R143770000](#) [R161703000W](#) [R161730000](#) [R161730000W](#) [R161753000W](#) [R161791530W](#)
[R176770000](#) [R201705000](#) [R222705200](#) [R222M40010W](#) [R222M40050](#) [R223703020](#) [R223703080](#) [R223703180](#) [R316754000](#) [AD78TL](#)
[HRM-513S](#) [1996352-2](#) [2157155-1](#) [2101130-1](#) [R114704000W](#) [R114720000W](#) [R125705000](#) [R125705001](#) [R125705701](#) [R125771000](#)
[R125791501W](#) [R127703001](#)